



US00D534299S

(12) **United States Design Patent** (10) **Patent No.:** **US D534,299 S**  
**DeBusscher** (45) **Date of Patent:** **\*\* Dec. 26, 2006**

(54) **BALL WASHER LAMP**

(76) Inventor: **Kenneth R. DeBusscher**, 21312  
Ardmore Park, St. Clair Shores, MI  
(US) 48081

(\*\*) Term: **14 Years**

(21) Appl. No.: **29/237,992**

(22) Filed: **Sep. 9, 2005**

(51) **LOC (8) Cl.** ..... **26-03**

(52) **U.S. Cl.** ..... **D26/94**

(58) **Field of Classification Search** ..... D26/93-112,  
D26/51, 58; 362/410-414, 253, 806; D21/789,  
D21/790, 792-796; 15/21.2, 104.92  
See application file for complete search history.

(56) **References Cited**

U.S. PATENT DOCUMENTS

D246,808 S \* 12/1977 Genova ..... D21/795  
D261,556 S \* 10/1981 O'Reilly ..... D26/51  
D342,802 S \* 12/1993 Barletta ..... D26/94

\* cited by examiner

*Primary Examiner*—Freda Nunn  
*Assistant Examiner*—Linda Brooks

(74) *Attorney, Agent, or Firm*—Gifford, Krass, Groh,  
Sprinkle, Anderson & Citkowski, P.C.

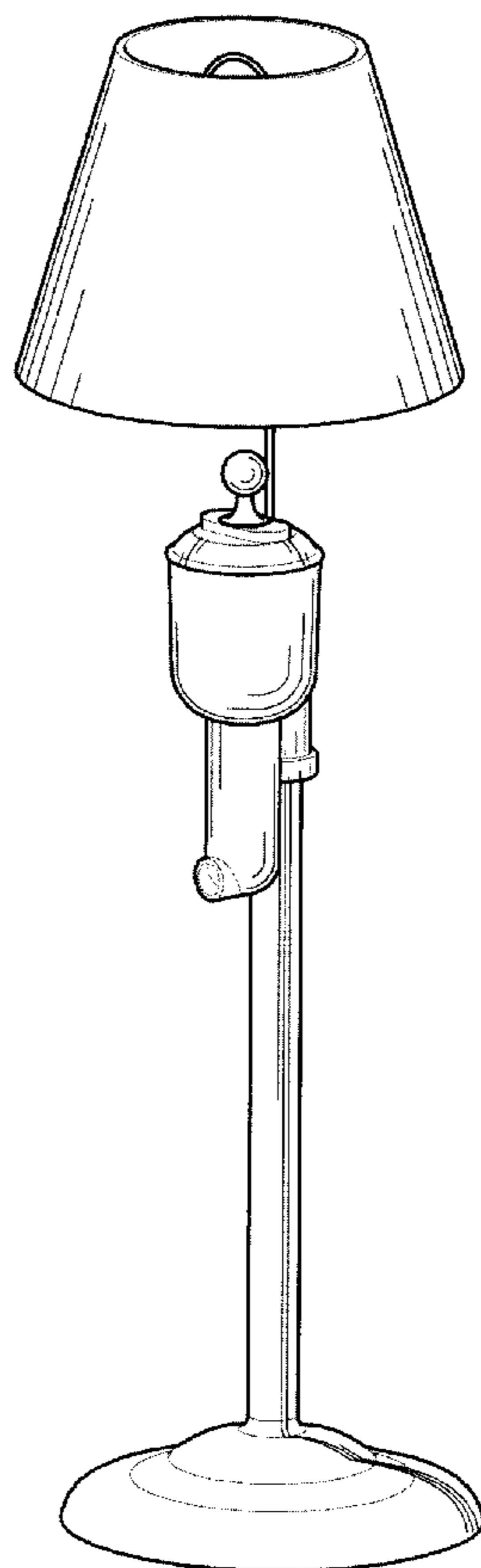
(57) **CLAIM**

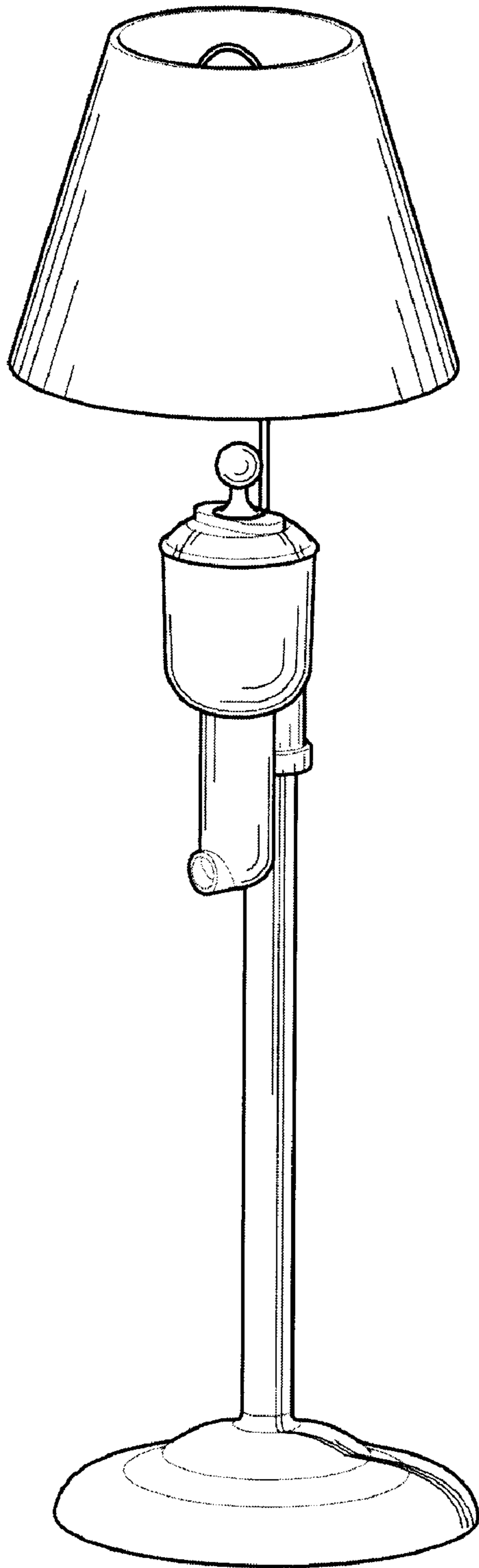
I claim the ornamental design for a ball washer lamp, as shown and described.

**DESCRIPTION**

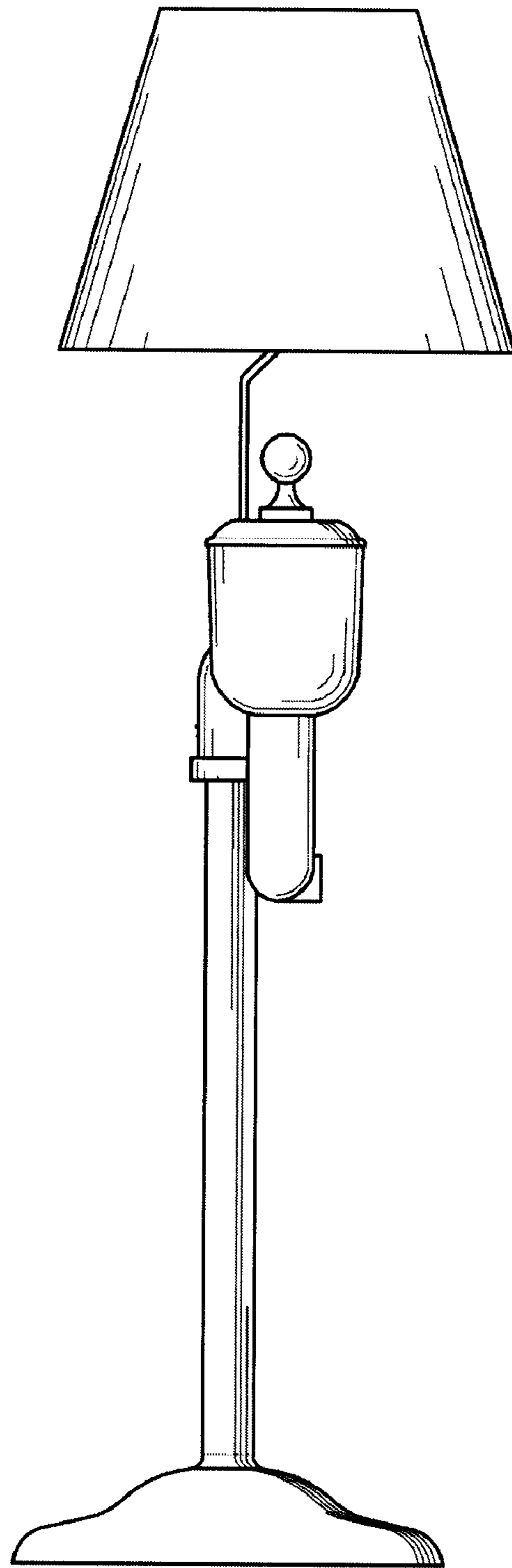
FIG. 1 is a perspective view illustrating an embodiment of the present invention;  
FIG. 2 is a left side view thereof;  
FIG. 3 is a front view thereof;  
FIG. 4 is a rear view thereof;  
FIG. 5 is a right side view thereof;  
FIG. 6 is a top view thereof;  
FIG. 7 is a bottom view thereof;  
FIG. 8 is a front view similar to FIG. 3, but with the lampshade removed for clarity of illustration, with the rear view of the light source and harp being substantially a mirror image; and,  
FIG. 9 is a right side view similar to FIG. 5, but with the lampshade removed for clarity of illustration, with the left side view of the light source and harp being a mirror image.

**1 Claim, 4 Drawing Sheets**

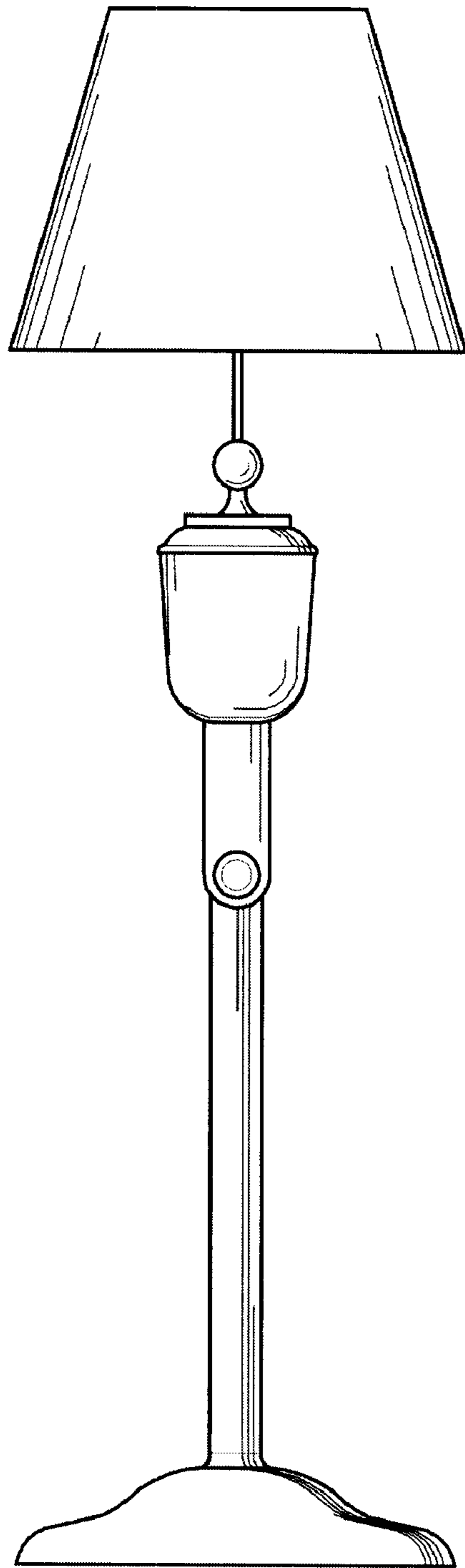




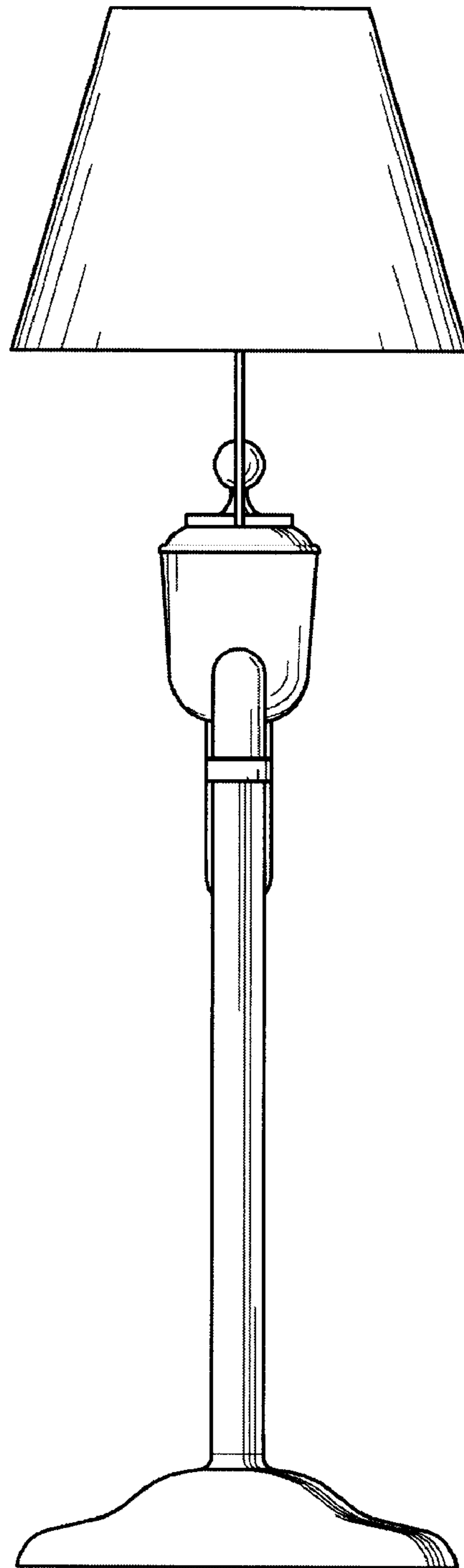
**FIG - 1**



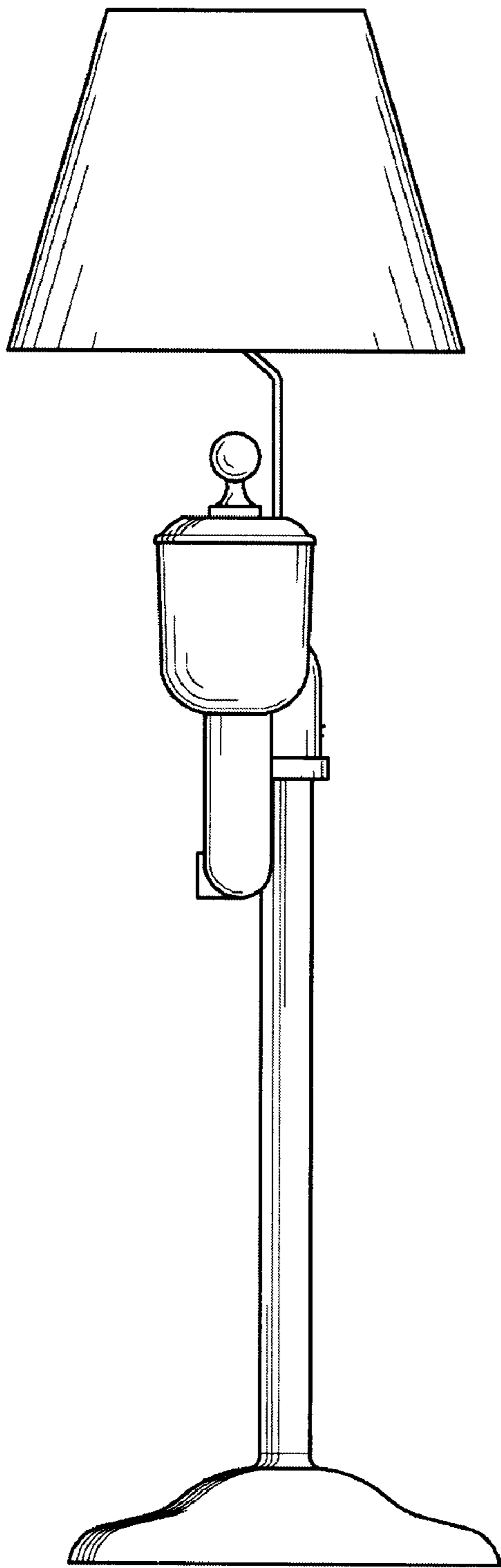
**FIG - 2**



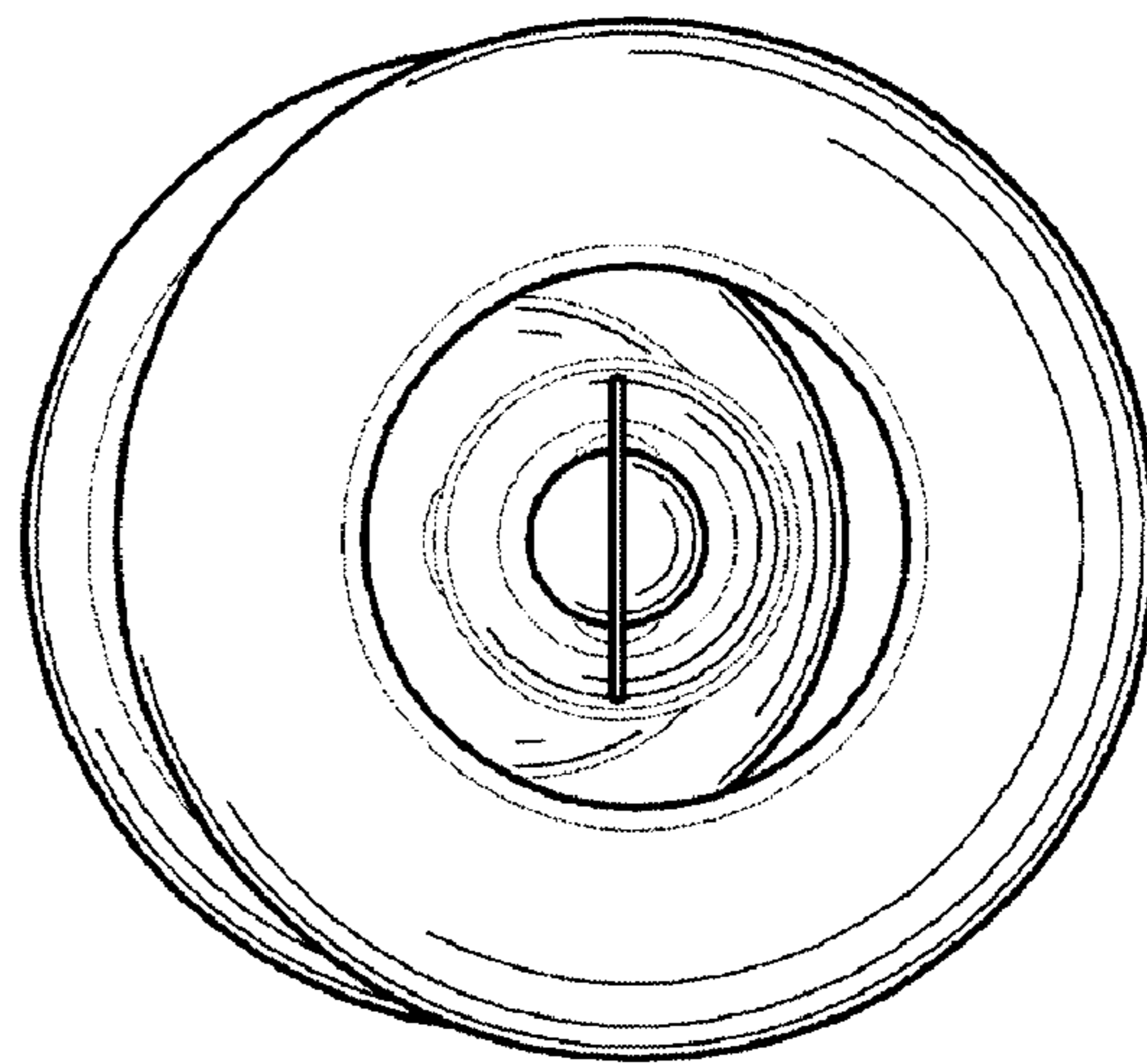
**FIG - 3**



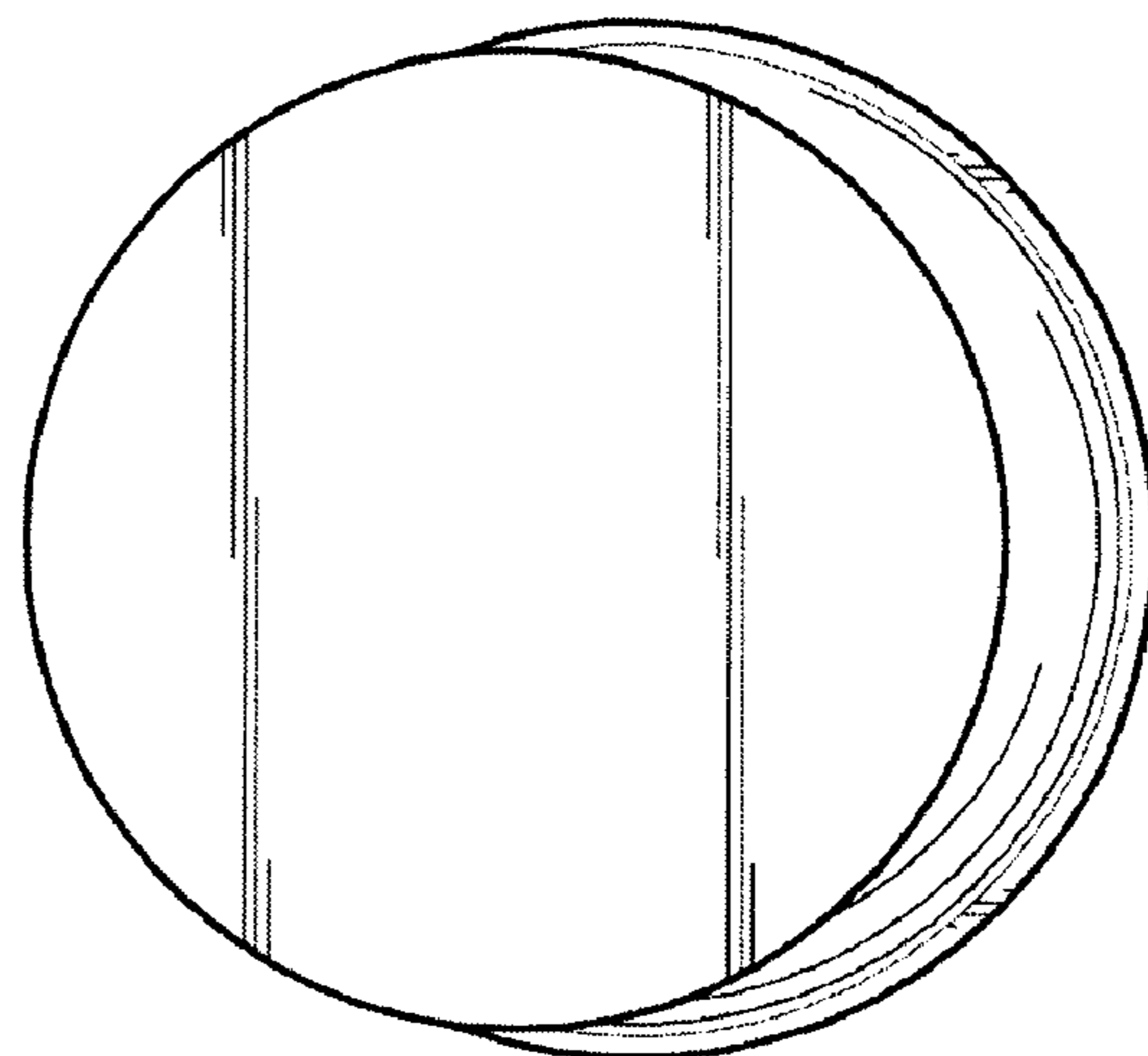
**FIG - 4**



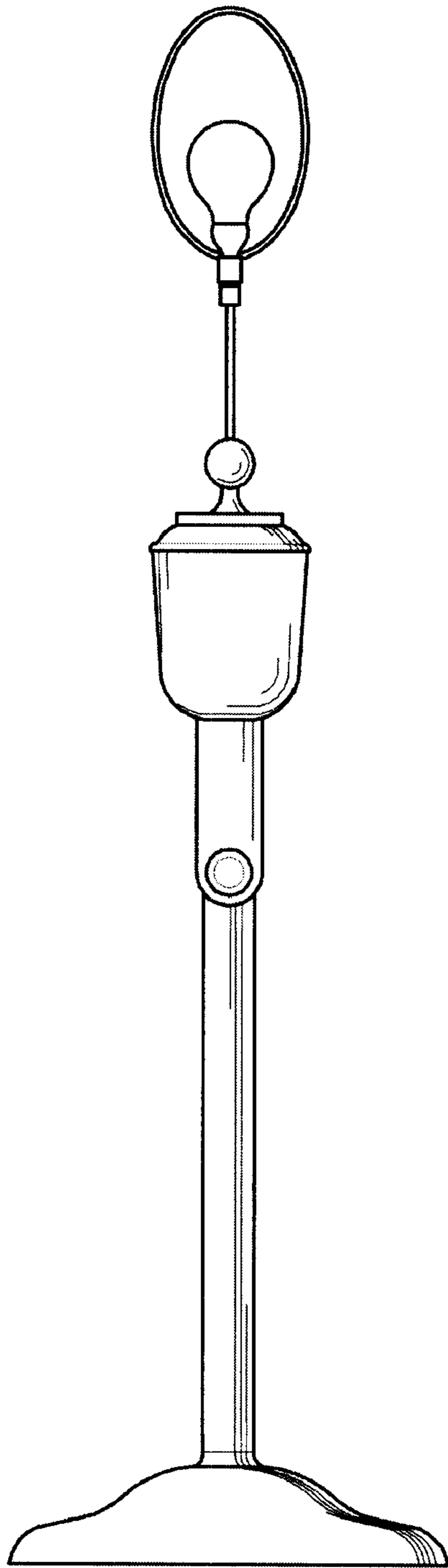
**FIG - 5**



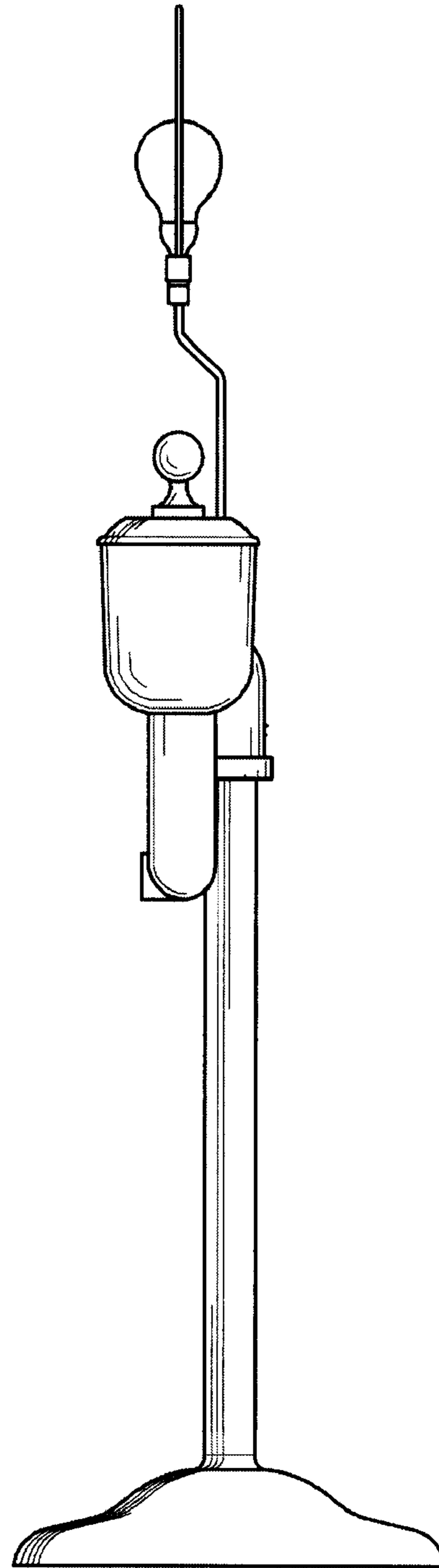
**FIG - 6**



**FIG - 7**



**FIG - 8**



**FIG - 9**