



US00D534298S

(12) **United States Design Patent**  
**Chen**

(10) **Patent No.:** **US D534,298 S**

(45) **Date of Patent:** **\*\* Dec. 26, 2006**

(54) **WALL LAMP**

(76) **Inventor:** **Chia-Teh Chen**, 5Fl., No. 30, Yi Shian Rd., Sheng Chan Chu, Taipei (TW)

(\*\*) **Term:** **14 Years**

(21) **Appl. No.:** **29/244,172**

(22) **Filed:** **Dec. 5, 2005**

(51) **LOC (8) Cl.** ..... **26-03**

(52) **U.S. Cl.** ..... **D26/87; D26/92**

(58) **Field of Classification Search** ..... D26/72,  
D26/85-92, 138, 145, 155, 129, 130; 362/147,  
362/404-408, 432

See application file for complete search history.

(56) **References Cited**

**U.S. PATENT DOCUMENTS**

- D63,164 S \* 10/1923 Ohm ..... D26/67
- D464,163 S \* 10/2002 Orozco ..... D26/87
- D501,948 S \* 2/2005 Curtin ..... D26/87
- D512,174 S \* 11/2005 Flores ..... D26/92

D514,244 S \* 1/2006 Curtin ..... D26/85

\* cited by examiner

*Primary Examiner*—Clare E Heflin

(74) *Attorney, Agent, or Firm*—Charles E. Baxley

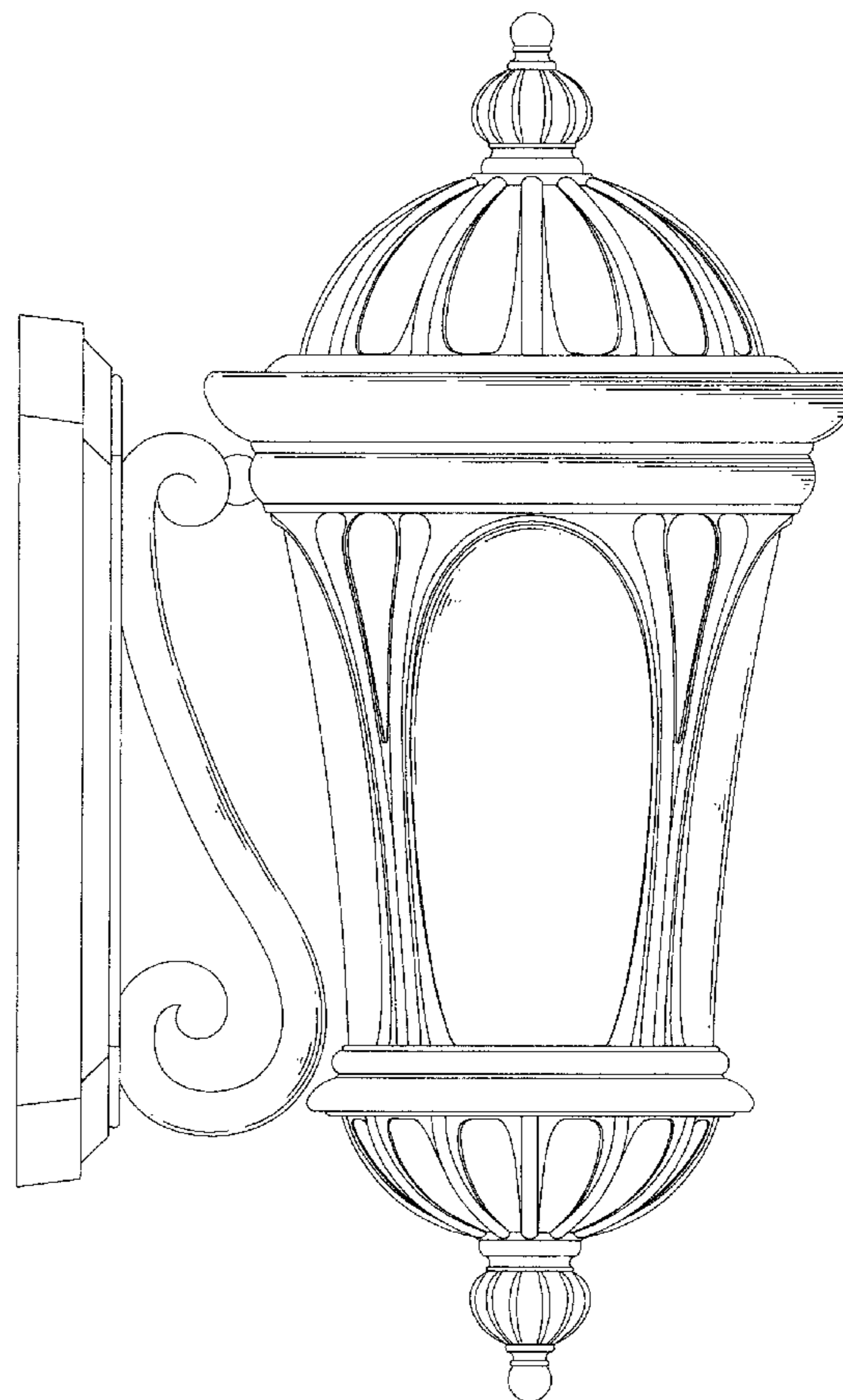
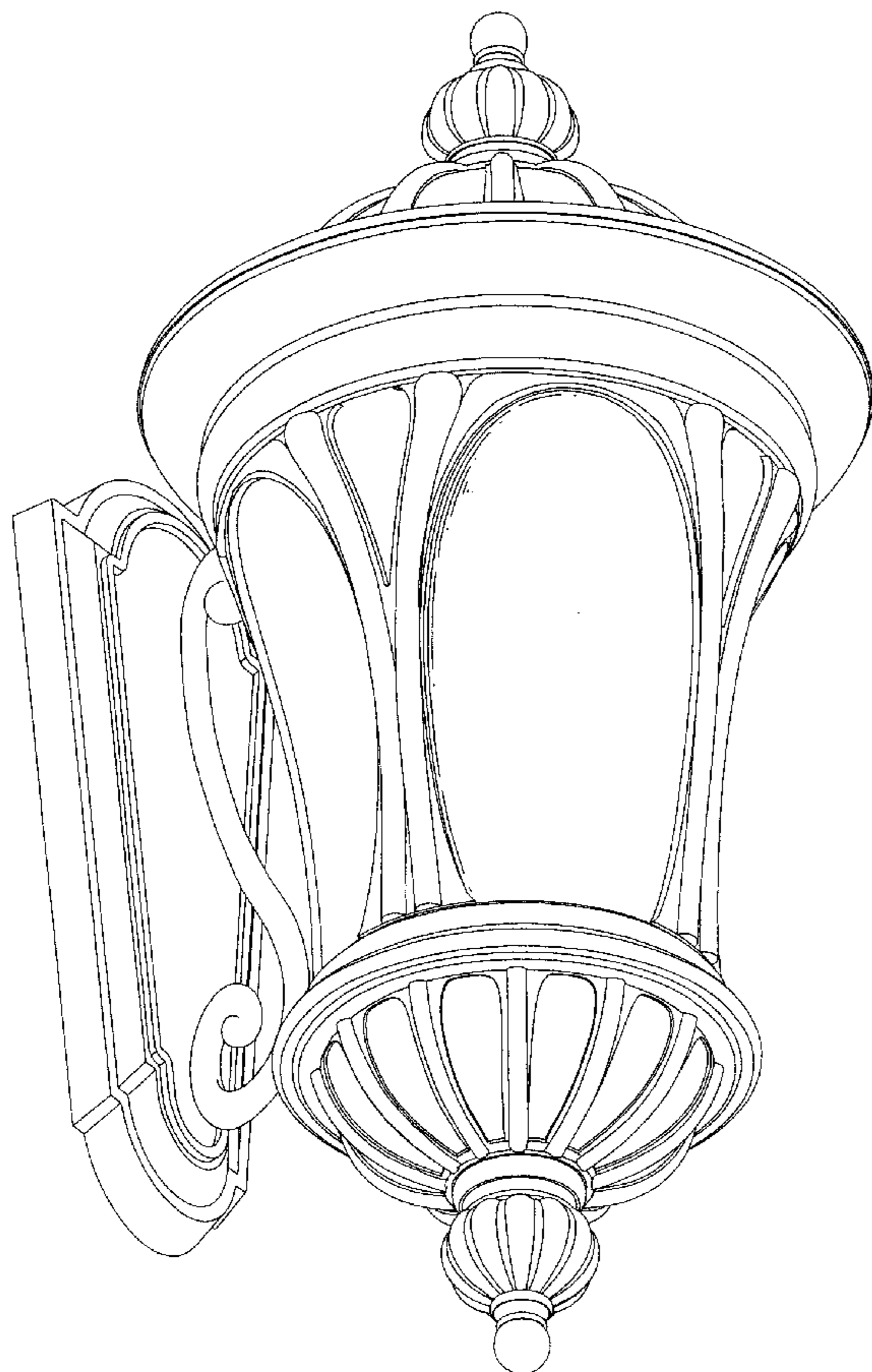
(57) **CLAIM**

The ornamental design for a wall lamp, as shown and described.

**DESCRIPTION**

FIG. 1 is a perspective view of a wall lamp showing my new design;  
FIG. 2 is a front elevational view thereof;  
FIG. 3 is a rear elevational view thereof,  
FIG. 4 is a left side elevational view thereof,  
FIG. 5 is a right side elevational view thereof,  
FIG. 6 is a top plan view thereof; and  
FIG. 7 is a bottom plan view to that shown; and,  
FIG. 8 is a perspective view of showing the open condition of the claimed design.

**1 Claim, 8 Drawing Sheets**



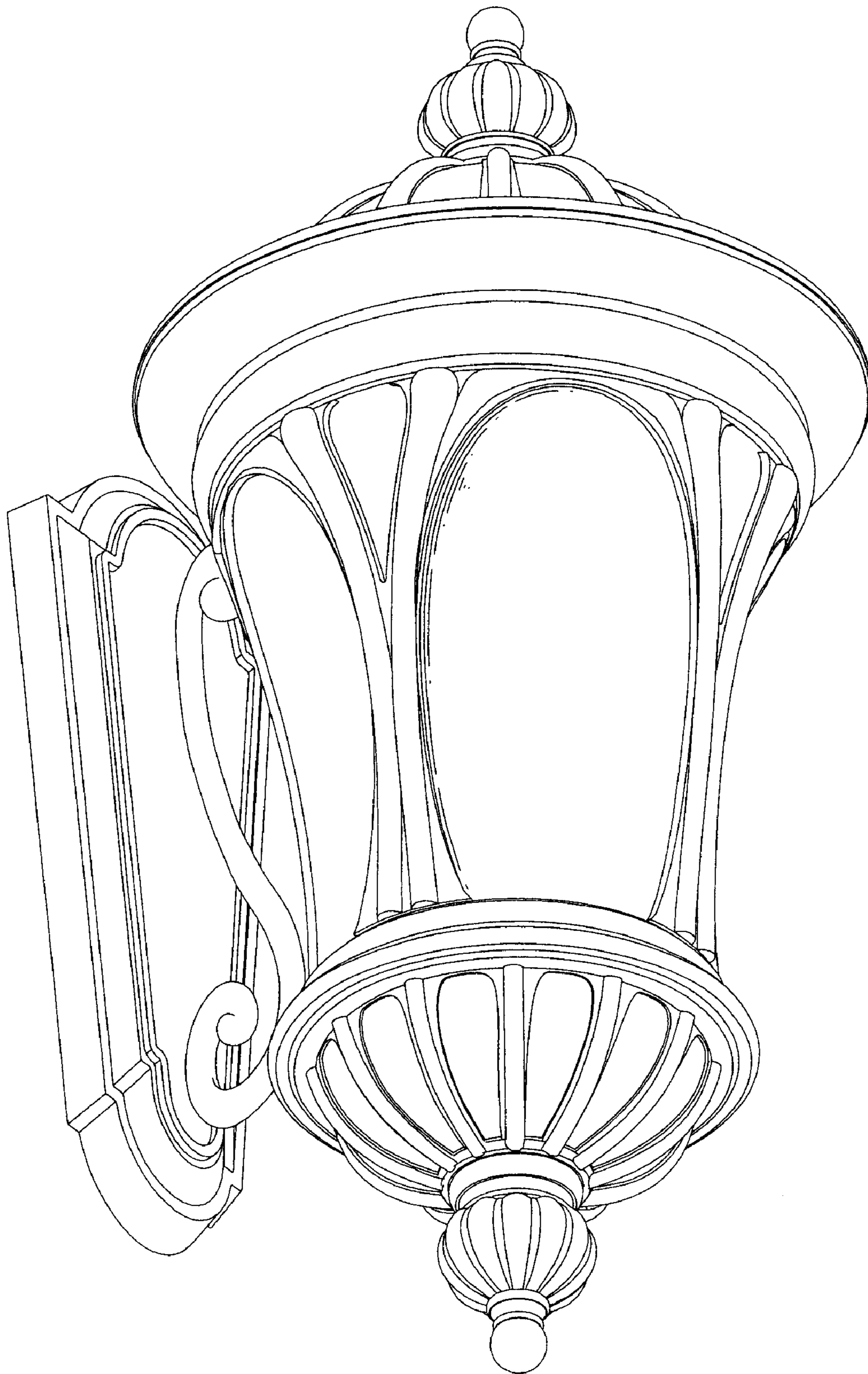


FIG. 1

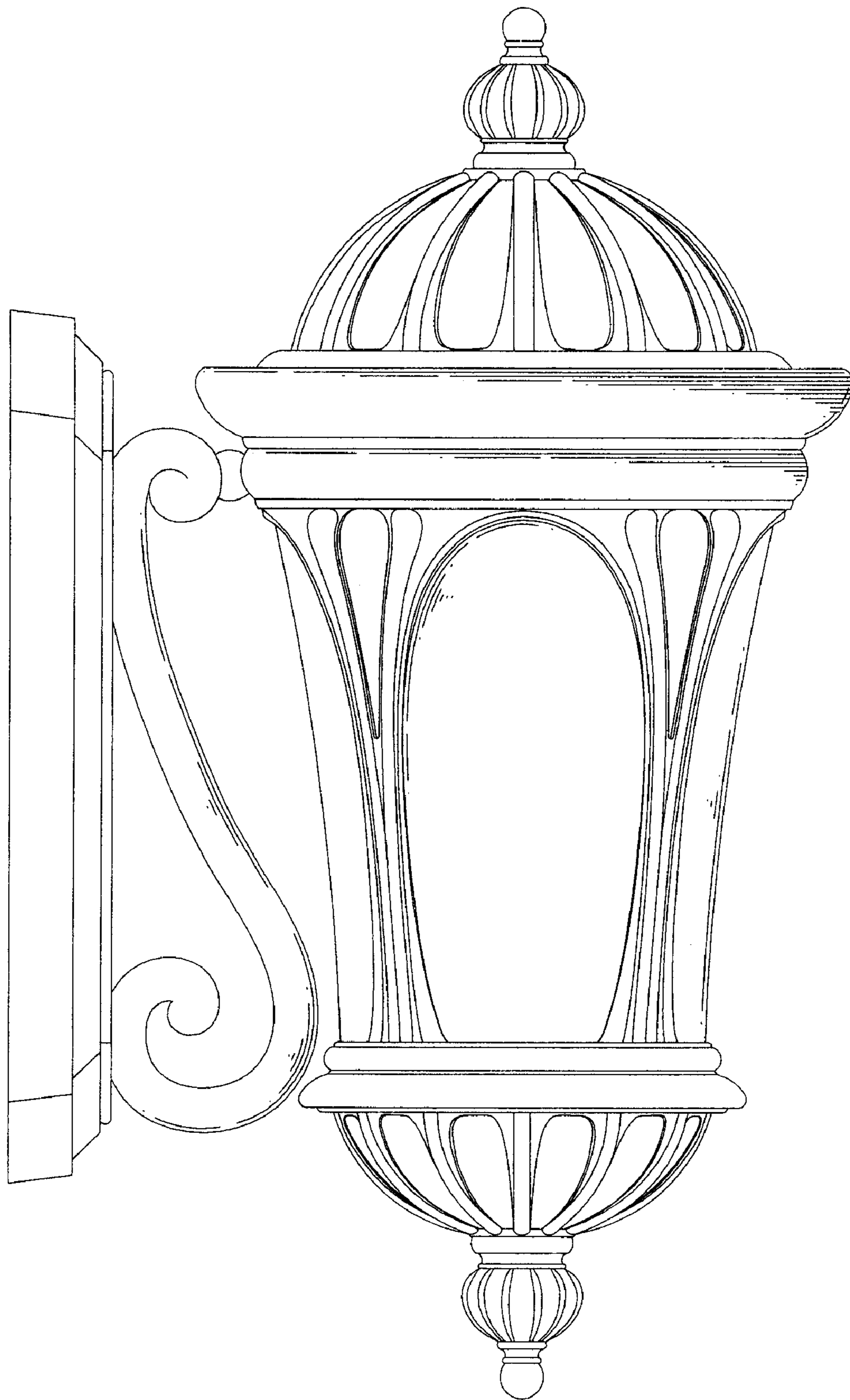


FIG. 2

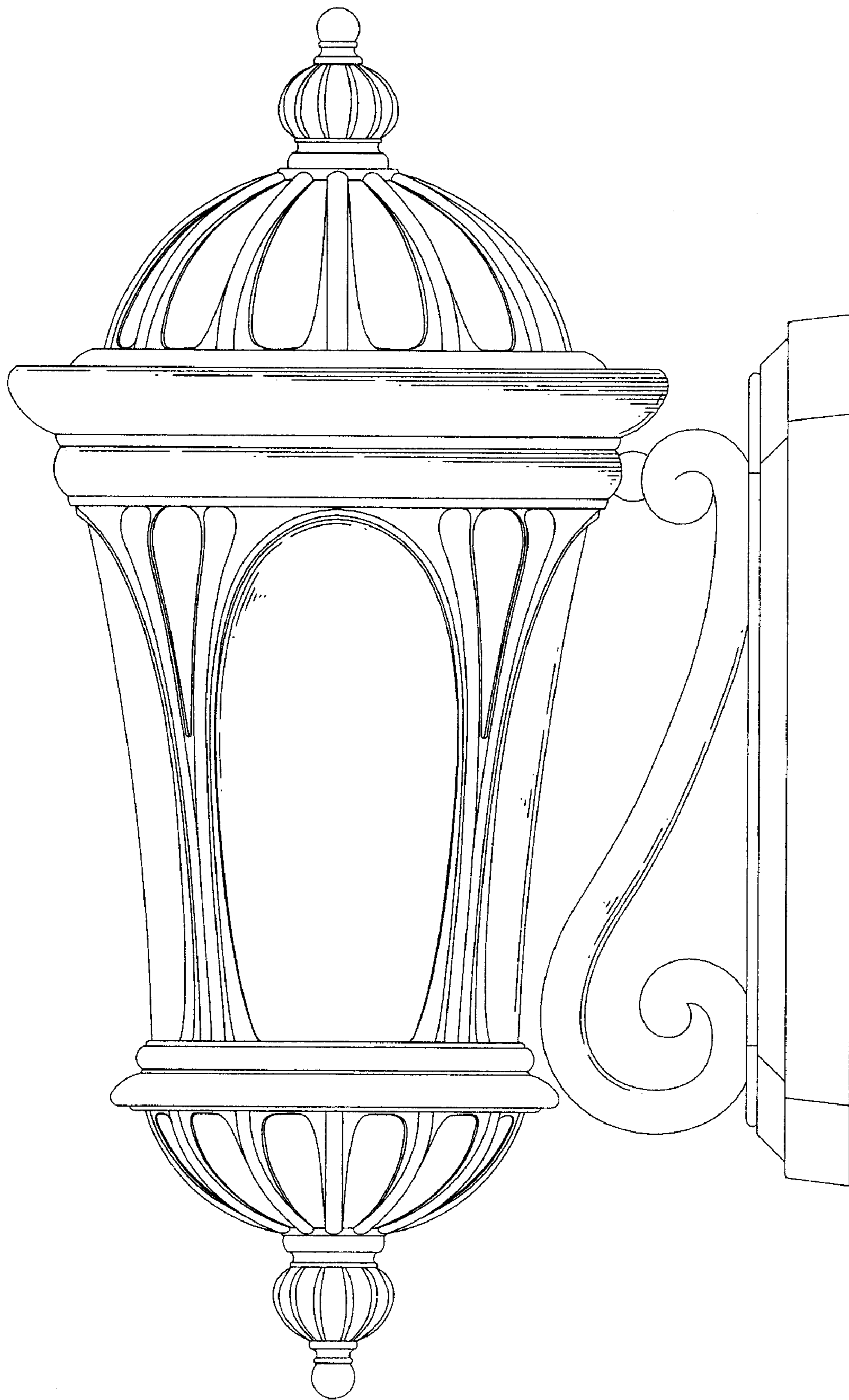


FIG. 3

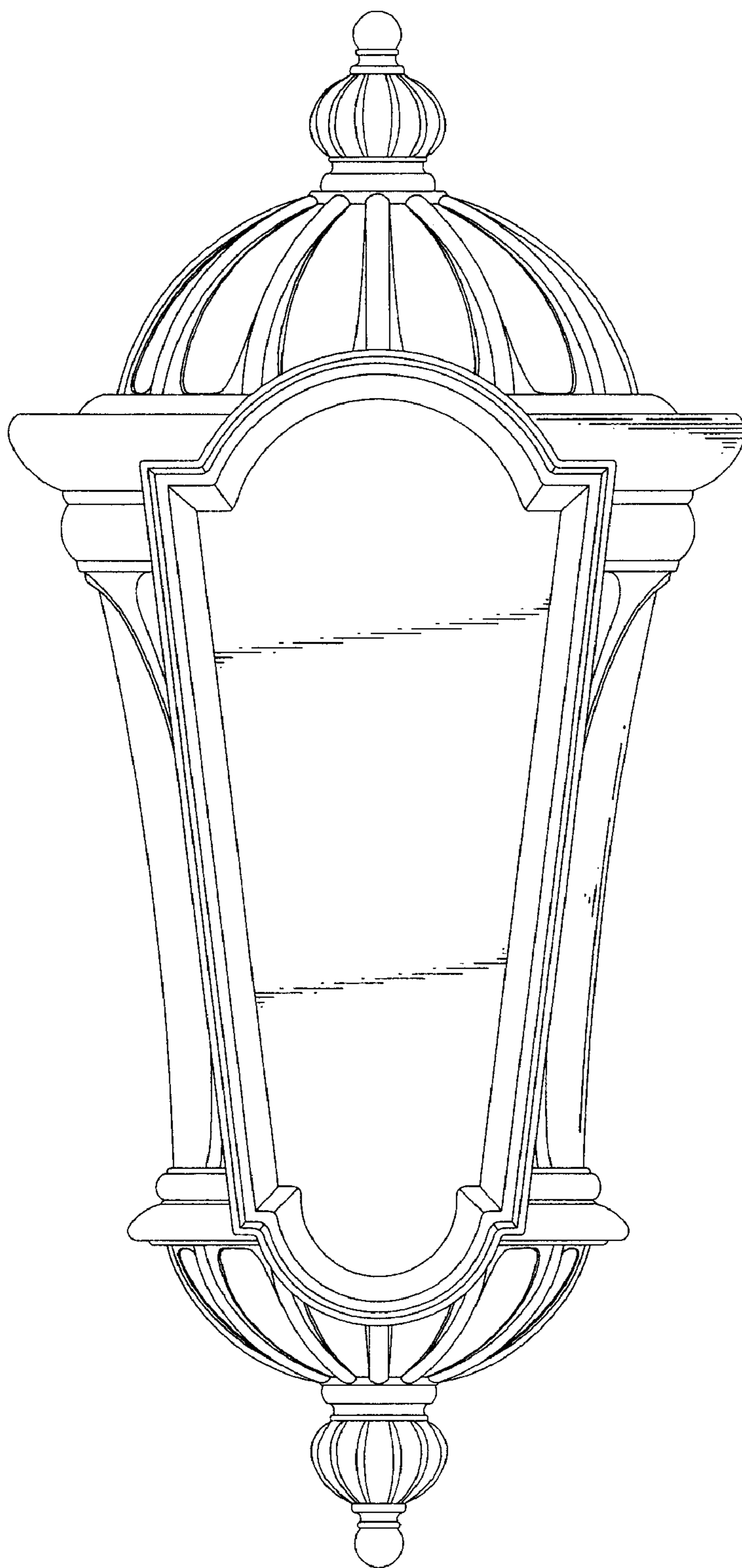


FIG. 4

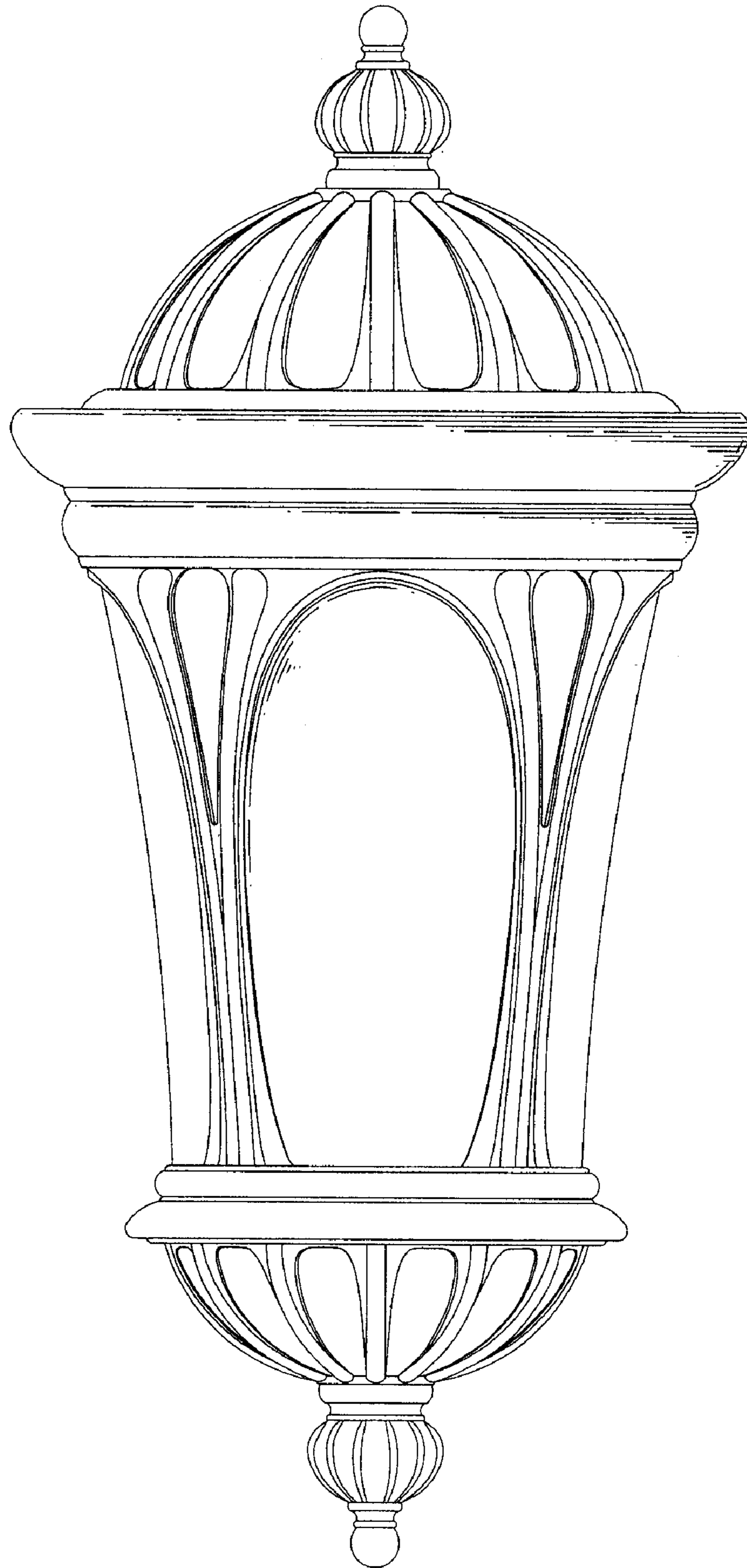


FIG. 5

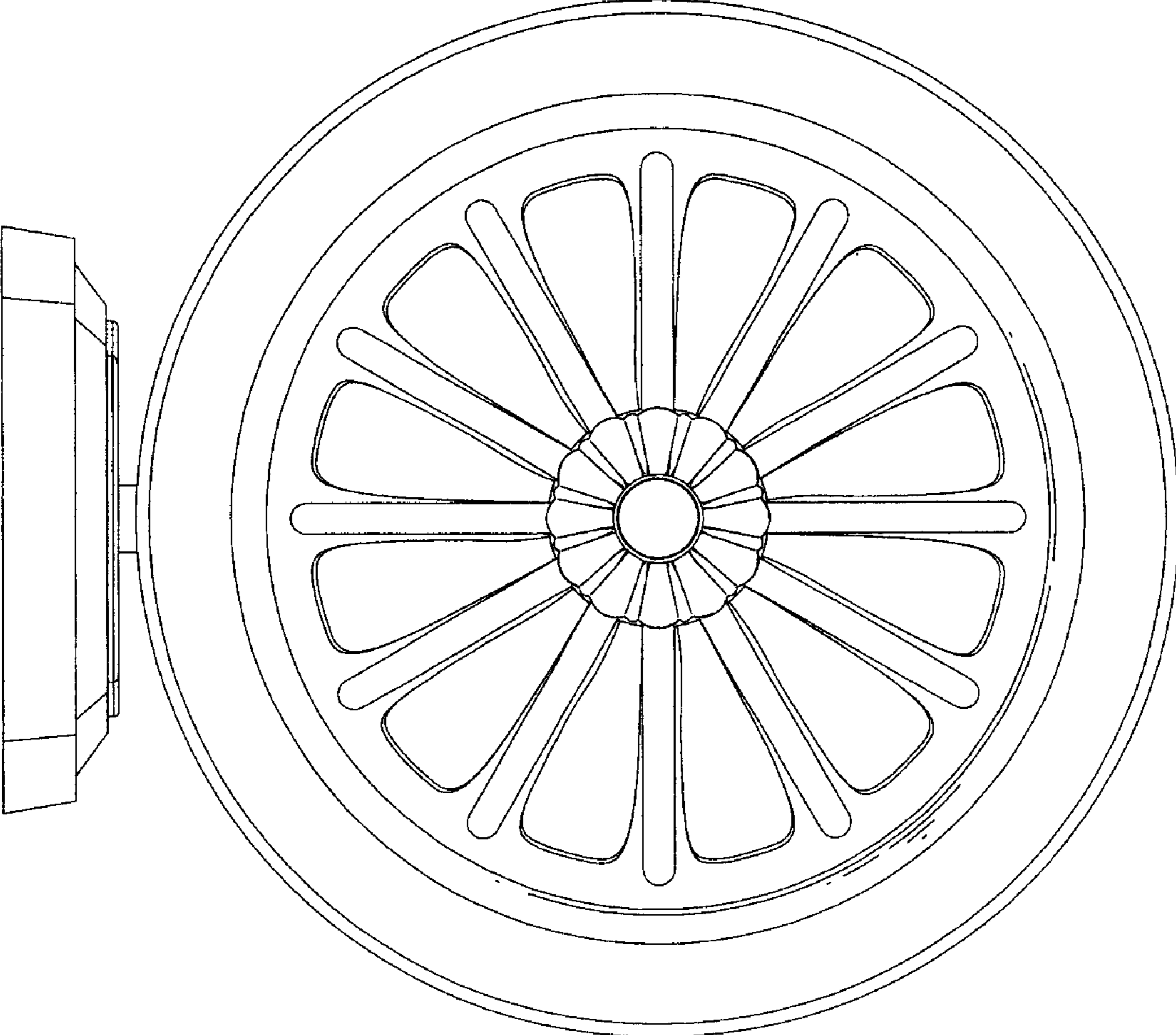


FIG. 6

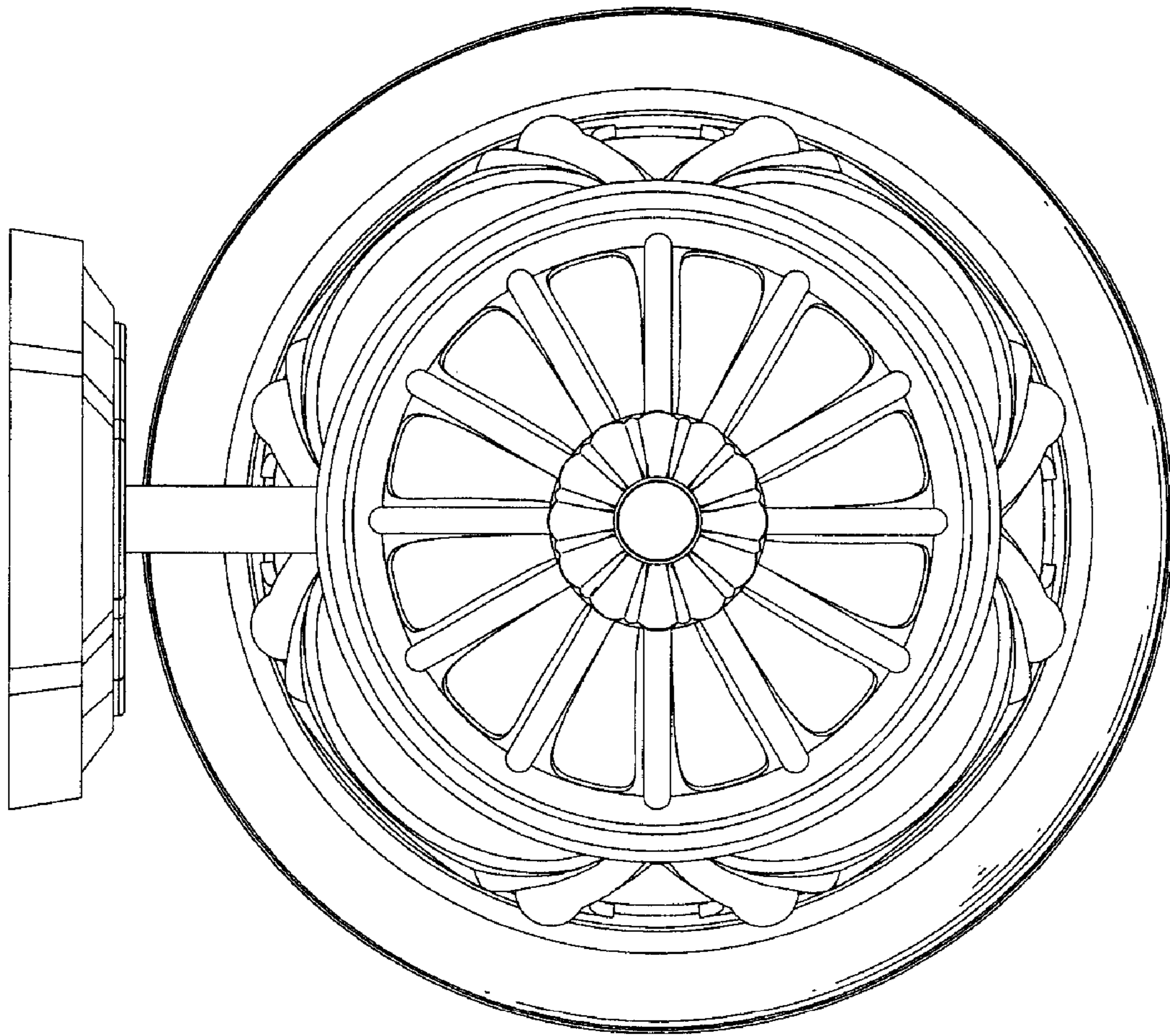


FIG. 7



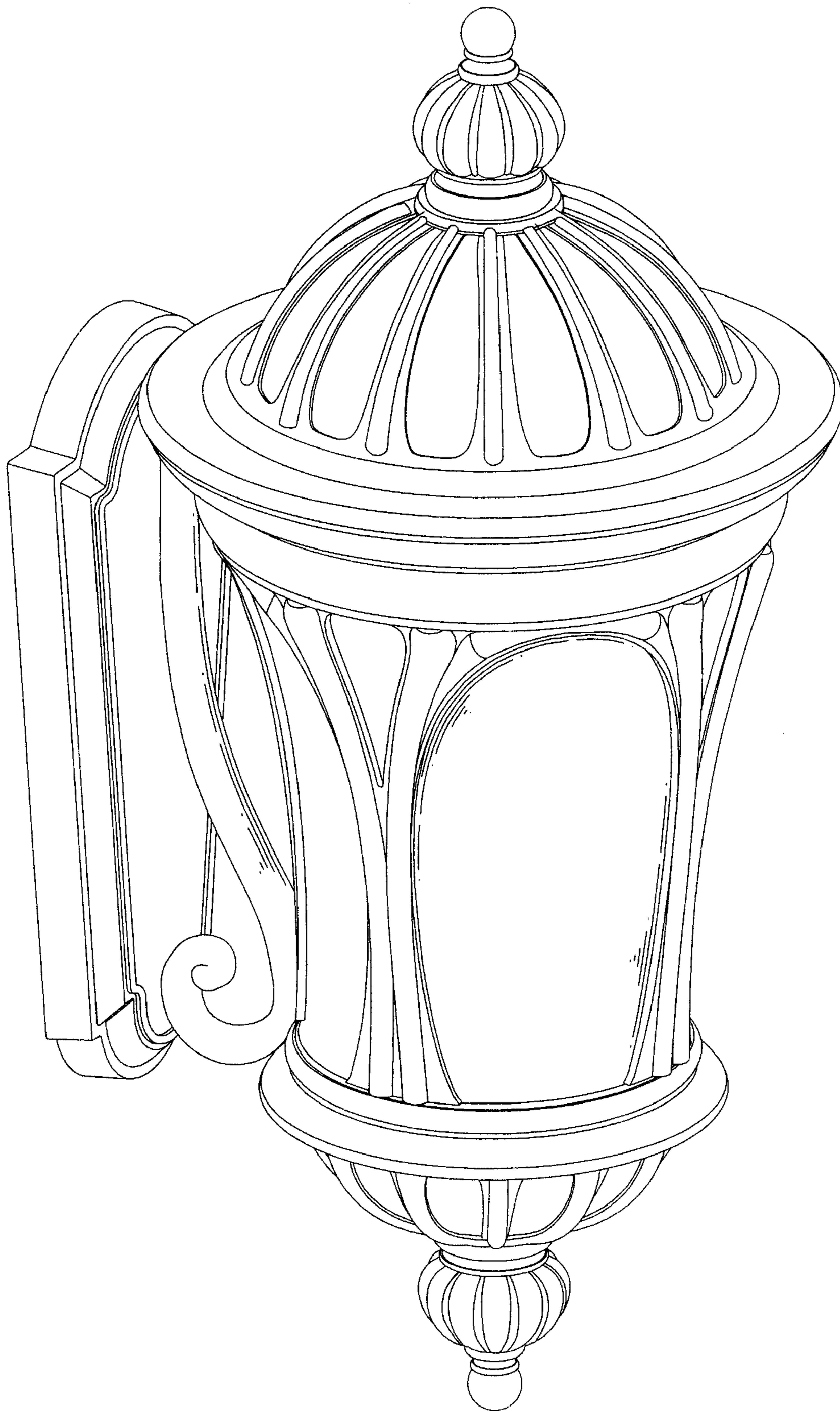


FIG. 8