

US00D534297S

(12) **United States Design Patent**  
**Chen**

(10) **Patent No.:** **US D534,297 S**

(45) **Date of Patent:** **\*\* Dec. 26, 2006**

(54) **WALL LAMP**

(76) Inventor: **Chia-Teh Chen**, 5Fl., No. 30, Yi Shian Rd., Taipei (TW)

(\*\*) Term: **14 Years**

(21) Appl. No.: **29/243,789**

(22) Filed: **Nov. 29, 2005**

(51) **LOC (8) Cl.** ..... **26-03**

(52) **U.S. Cl.** ..... **D26/87; D26/92**

(58) **Field of Classification Search** ..... D26/72,  
D26/85-92, 138, 145, 155, 129, 130; 362/147,  
362/404-408, 432

See application file for complete search history.

(56) **References Cited**

**U.S. PATENT DOCUMENTS**

- D62,693 S \* 7/1923 Crowell ..... D26/87
- D62,887 S \* 8/1923 Dahl ..... D26/87
- D67,175 S \* 4/1925 Wolter ..... D26/24
- D73,386 S \* 8/1927 Lipschutz ..... D26/87

- D465,053 S \* 10/2002 Miranda ..... D26/87
- D522,164 S \* 5/2006 Trivino et al. .... D26/71

\* cited by examiner

*Primary Examiner*—Clare E Heflin

(74) *Attorney, Agent, or Firm*—Charles E. Baxley

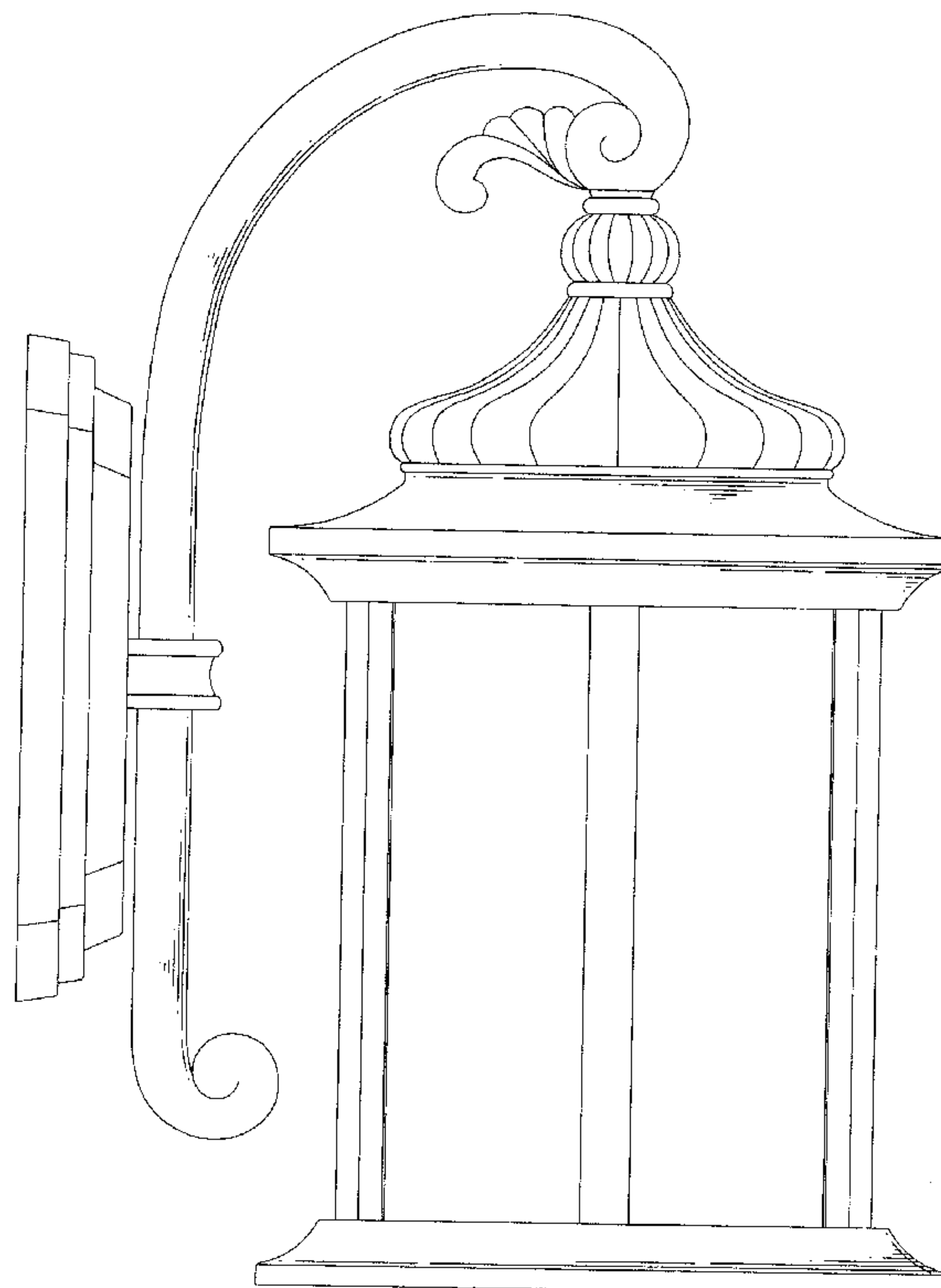
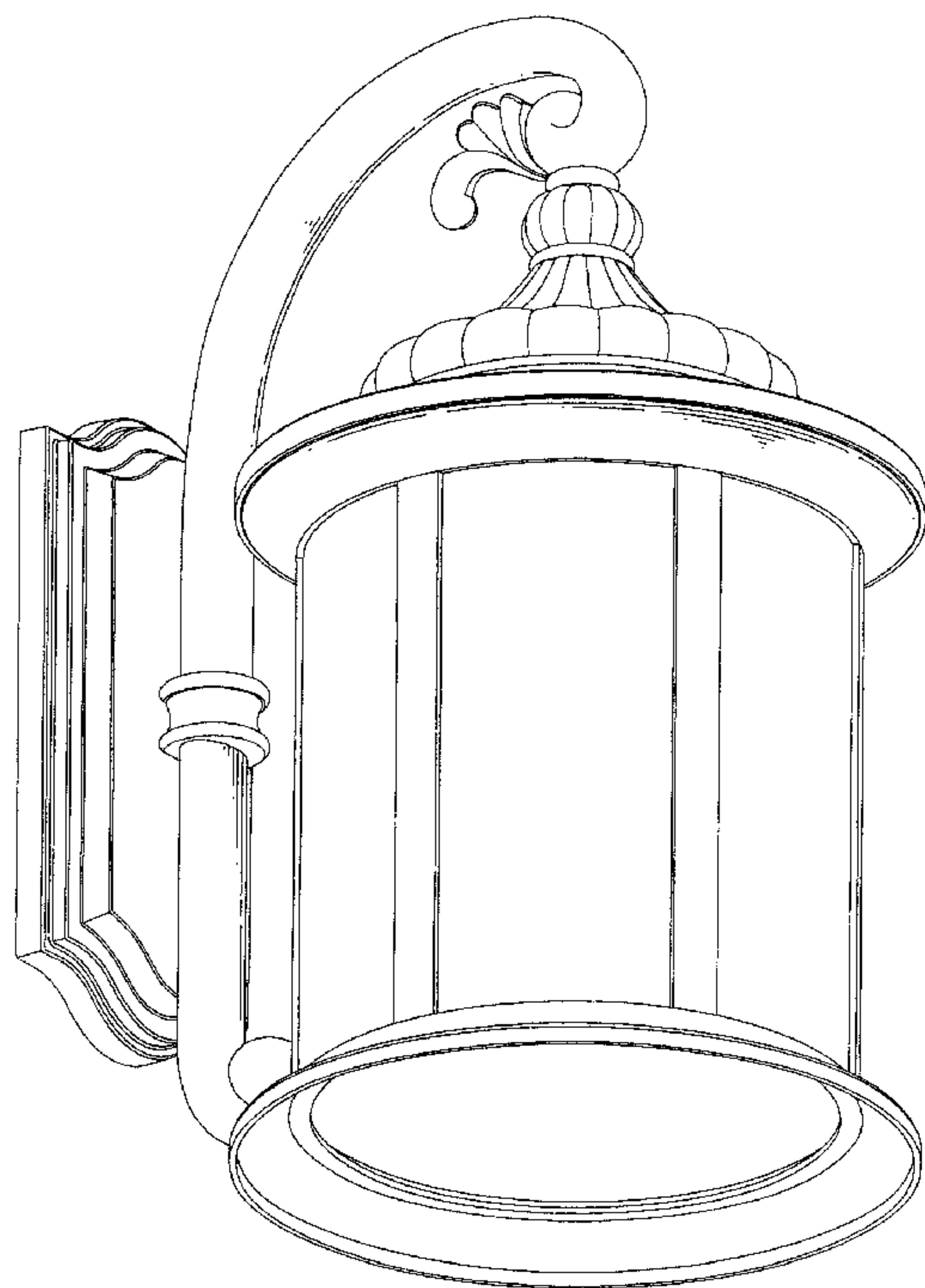
(57) **CLAIM**

The ornamental design for an wall lamp, as shown and described.

**DESCRIPTION**

FIG. 1 is a perspective view of an wall lamp showing my new design;  
 FIG. 2 is a front elevational view thereof;  
 FIG. 3 is a rear elevational view thereof,  
 FIG. 4 is a left side elevational view thereof,  
 FIG. 5 is a right side elevational view thereof,  
 FIG. 6 is a top plan view thereof; and  
 FIG. 7 is a bottom plan view to that shown; and,  
 FIG. 8 is a illustrative view of wall lamp.

**1 Claim, 8 Drawing Sheets**



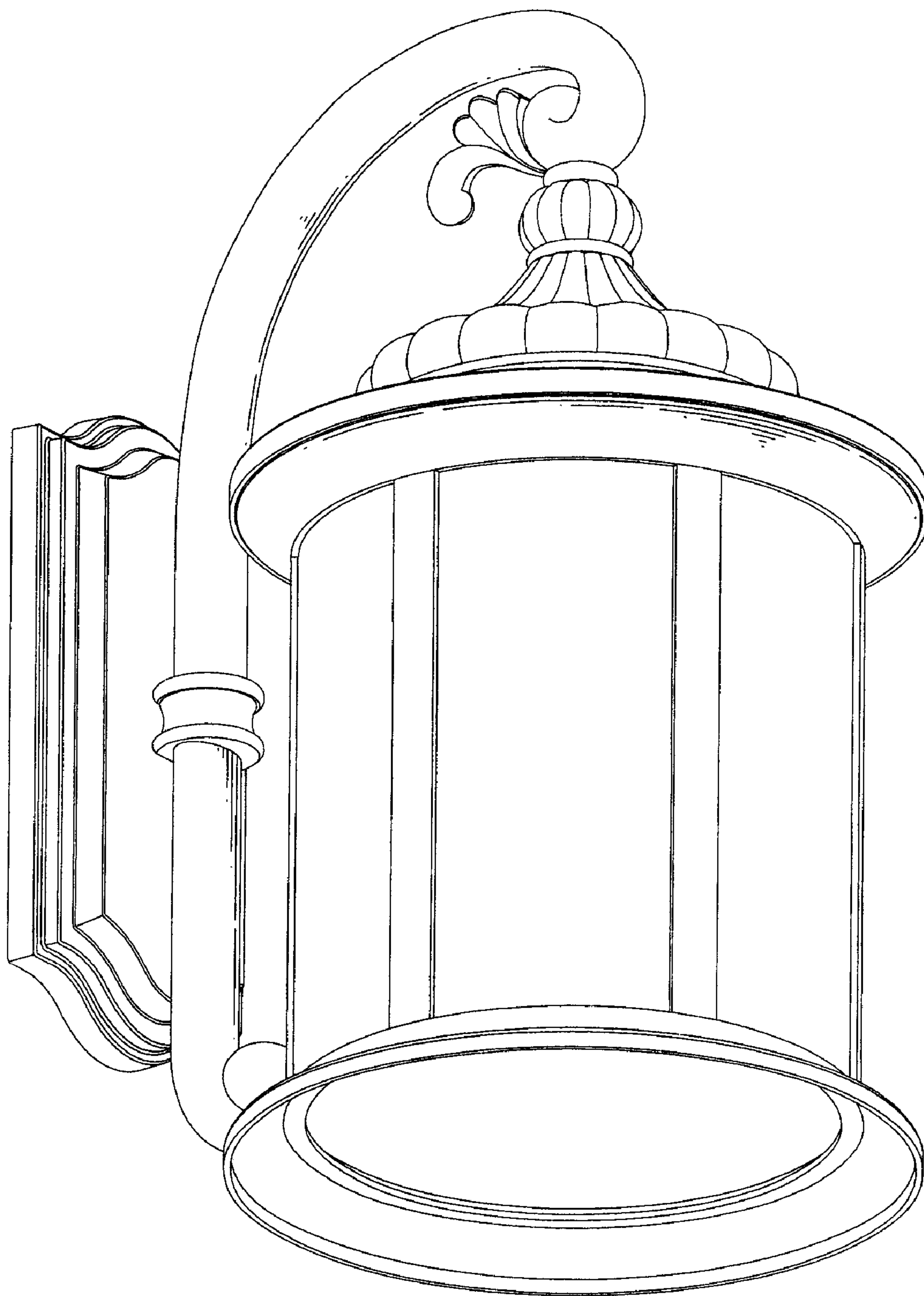


FIG. 1

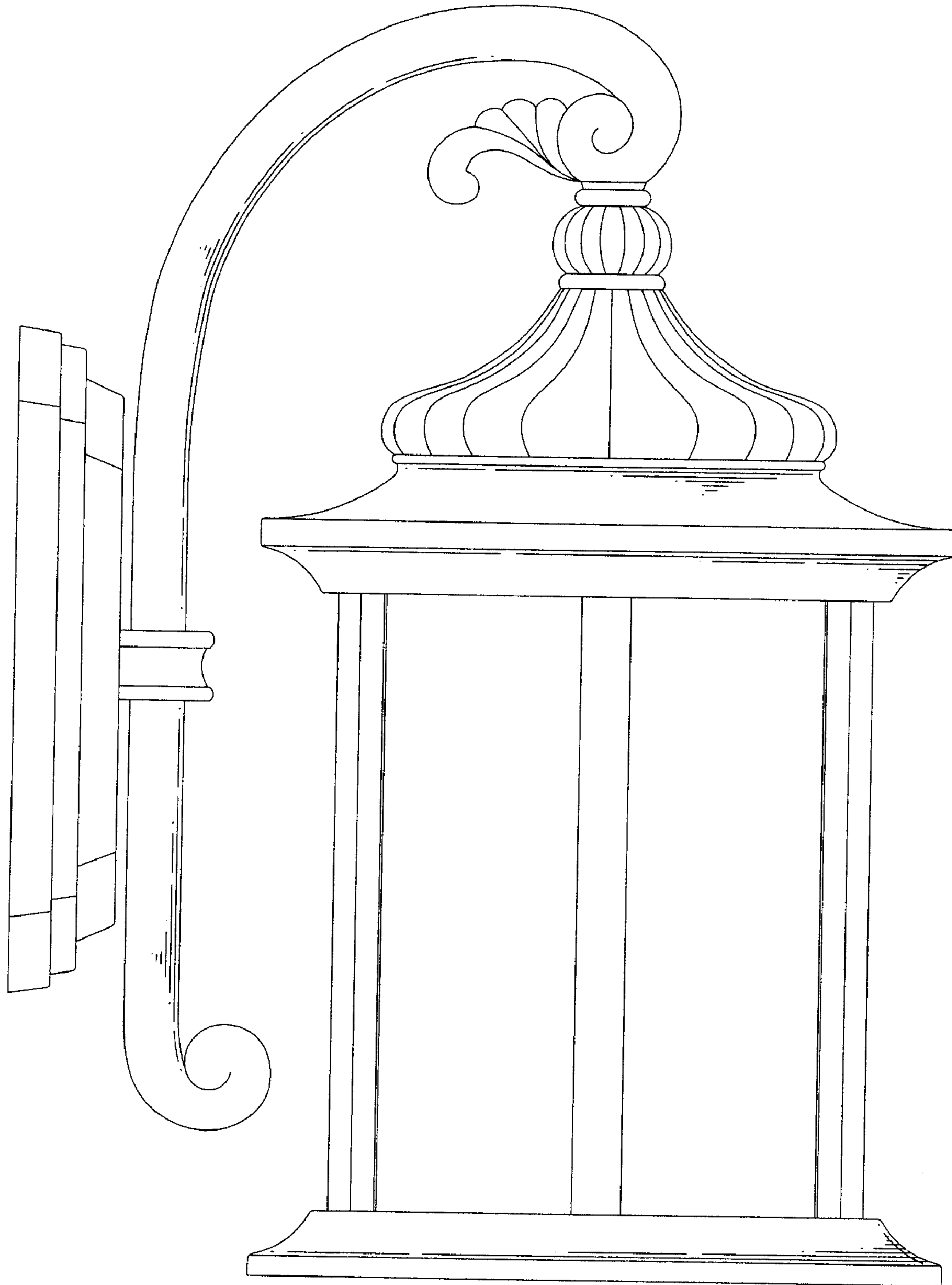


FIG. 2

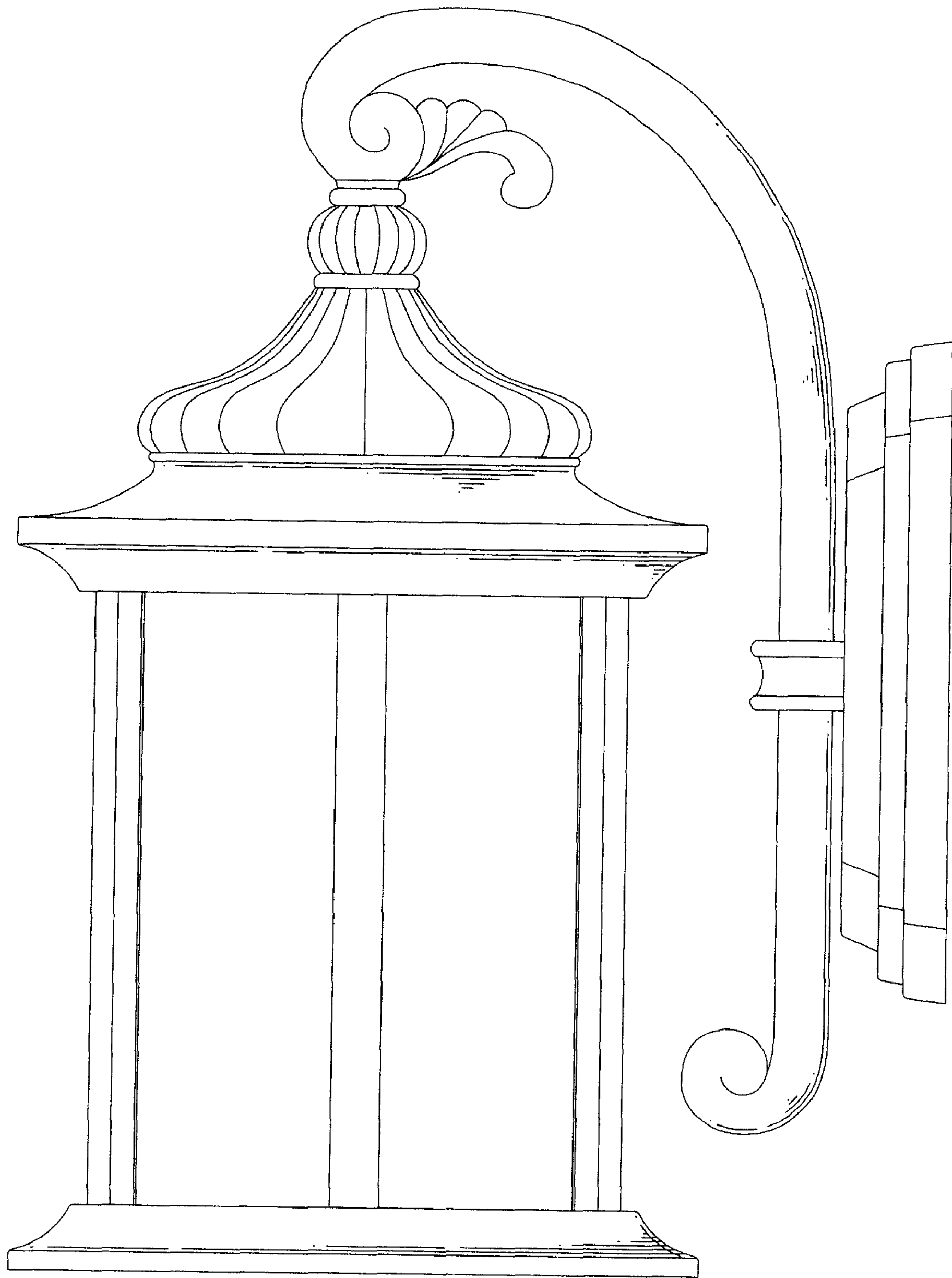


FIG. 3

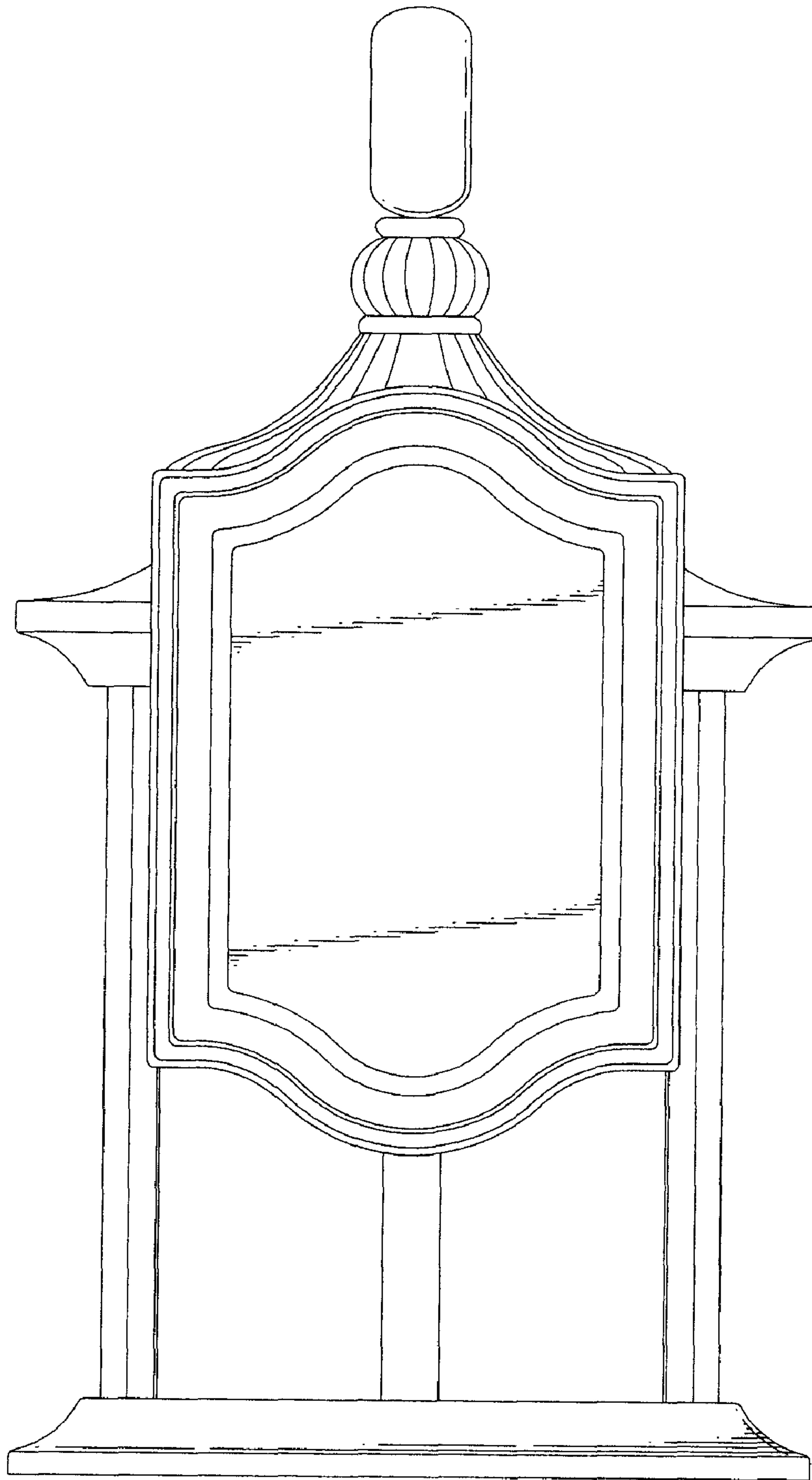


FIG. 4

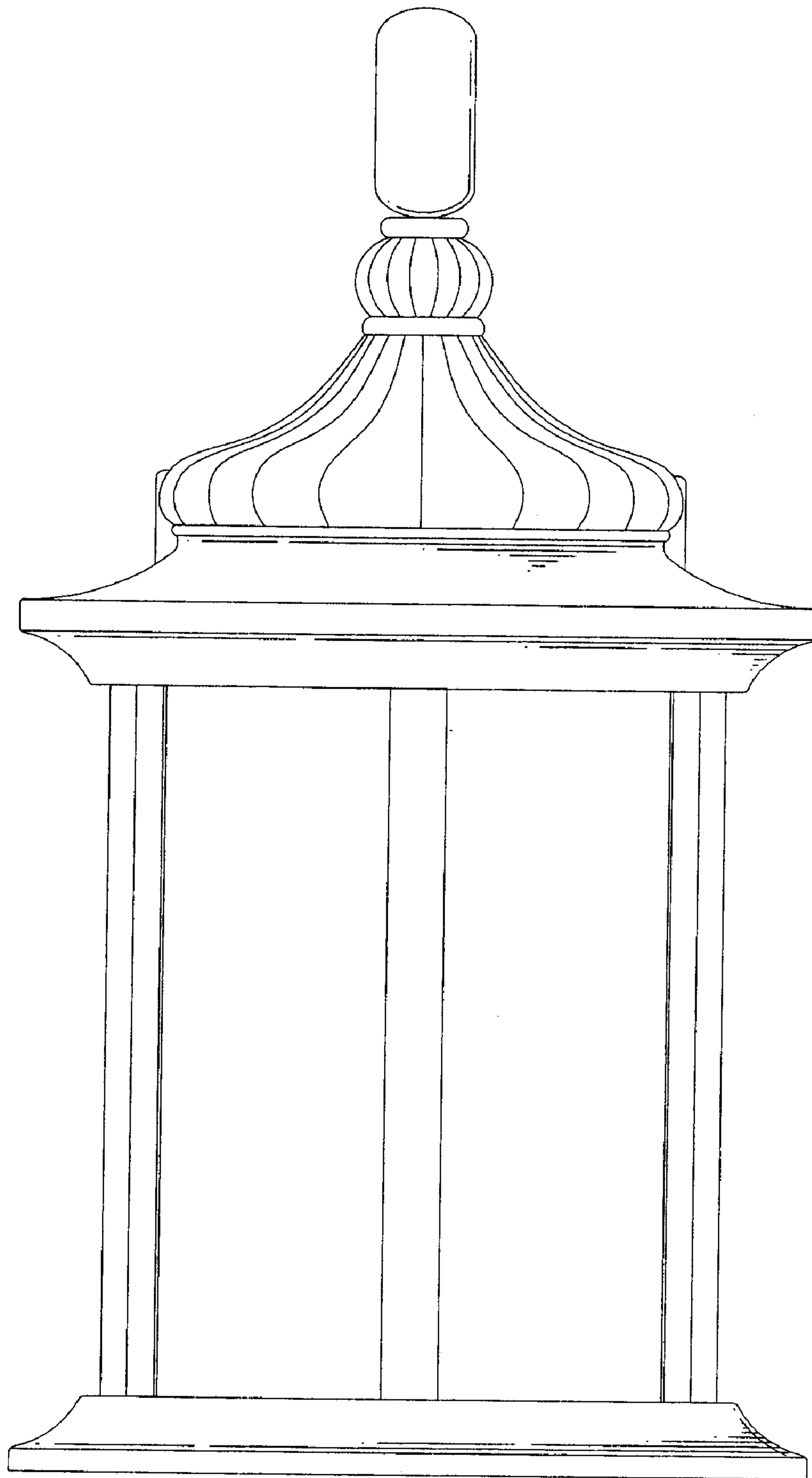


FIG. 5



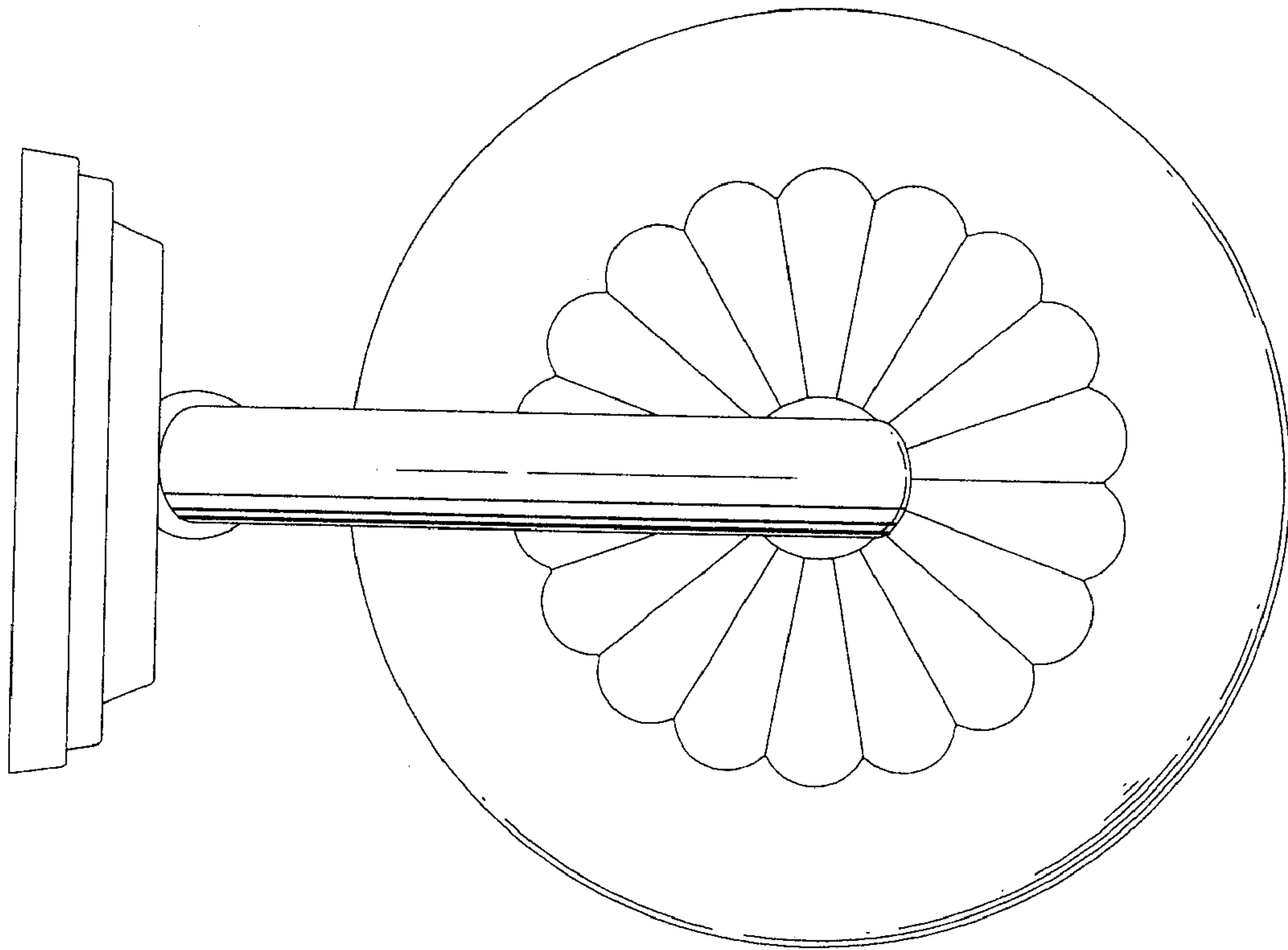


FIG. 6

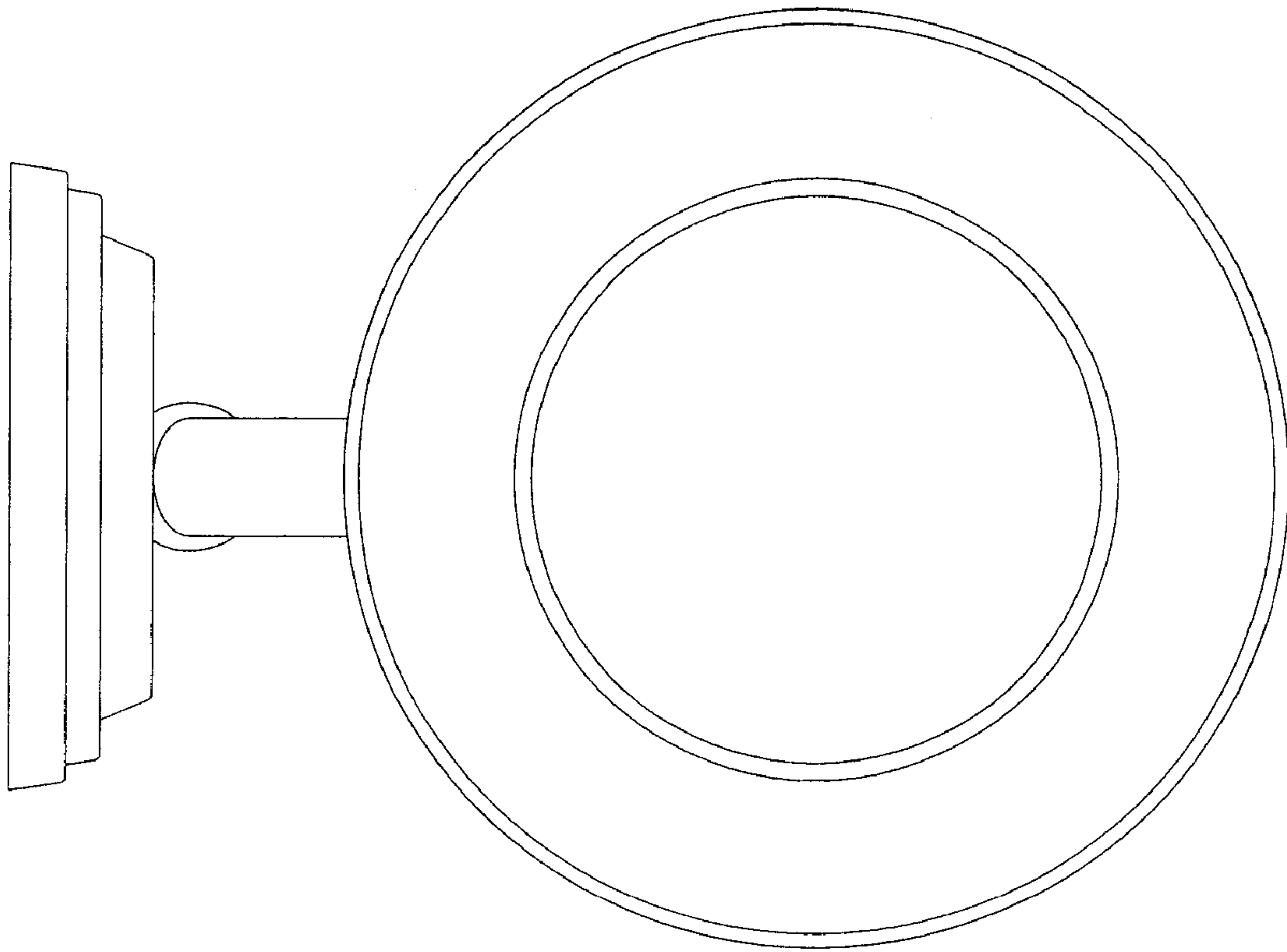


FIG. 7



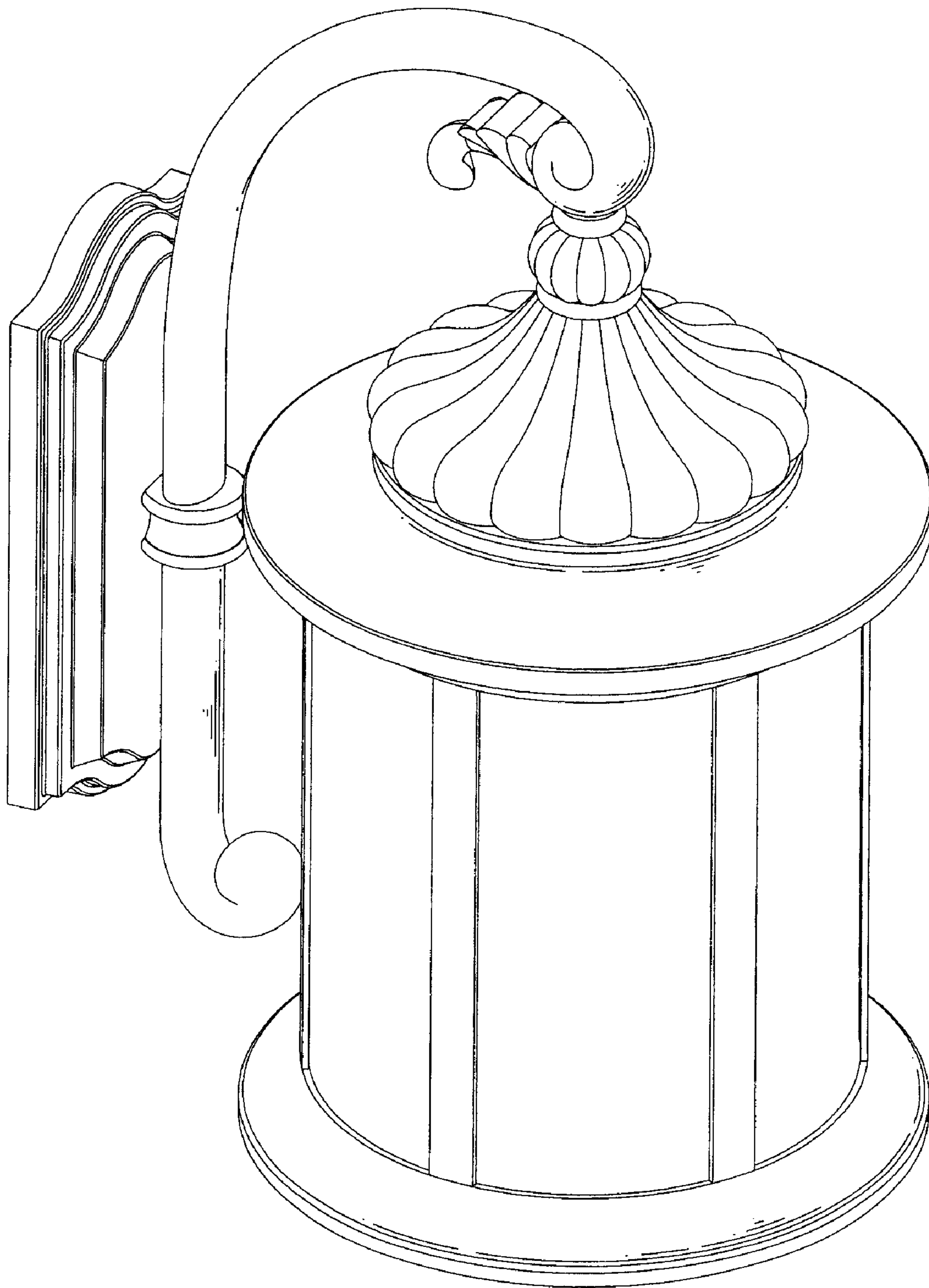


FIG. 8