



US00D534295S

(12) **United States Design Patent**
Chen

(10) **Patent No.:** **US D534,295 S**

(45) **Date of Patent:** **** Dec. 26, 2006**

(54) **LIGHT FIXTURE**

(76) Inventor: **Chia-Teh Chen**, 5F, No. 30, Yet Sen Rd., Taipei (TW)

(**) Term: **14 Years**

(21) Appl. No.: **29/254,326**

(22) Filed: **Feb. 23, 2006**

(51) **LOC (8) Cl.** **26-03**

(52) **U.S. Cl.** **D26/81; D26/84**

(58) **Field of Classification Search** D26/80-92;
362/147, 404-406

See application file for complete search history.

(56) **References Cited**

U.S. PATENT DOCUMENTS

D66,226 S	*	12/1924	Crumley	D26/81
D66,707 S	*	2/1925	Rosenblatt	D26/144
D67,559 S	*	6/1925	Walker	D26/81
D69,418 S	*	2/1926	Villaret	D26/84
D416,346 S	*	11/1999	Palacios	D26/84
D430,692 S	*	9/2000	Nicholas	D26/86
D518,592 S	*	4/2006	Brunner	D26/81
D519,665 S	*	4/2006	Chen	D26/81

D519,666 S * 4/2006 Leser D26/81

* cited by examiner

Primary Examiner—Clare E Heflin

(74) *Attorney, Agent, or Firm*—Rosenberg, Klein & Lee

(57) **CLAIM**

The ornamental design for a “light fixture,” as shown and described.

DESCRIPTION

FIG. 1 is a perspective view of a “light fixture” showing my new design;

FIG. 2 is a front view thereof;

FIG. 3 is a rear view thereof;

FIG. 4 is a left side view thereof;

FIG. 5 is a right side view thereof;

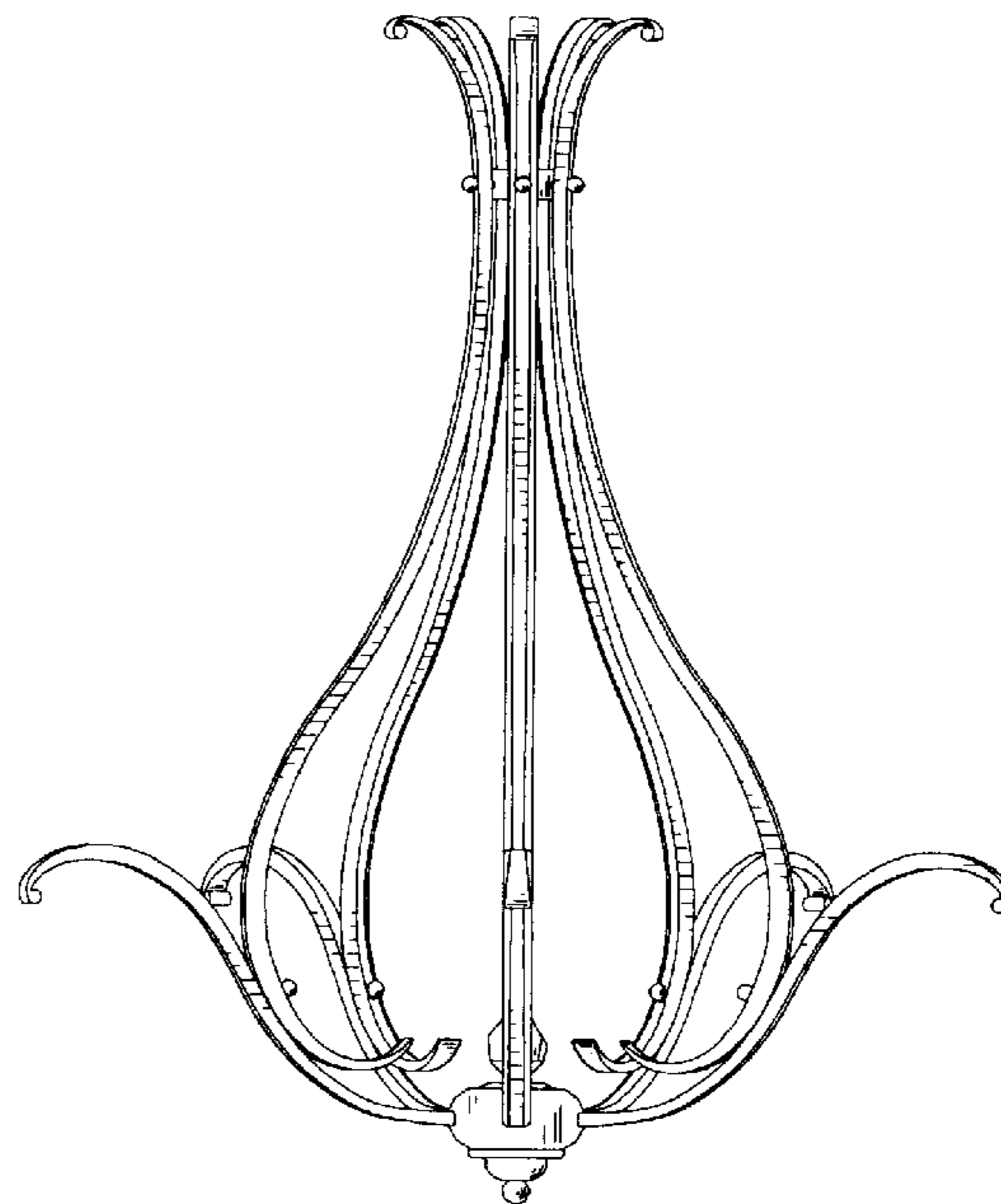
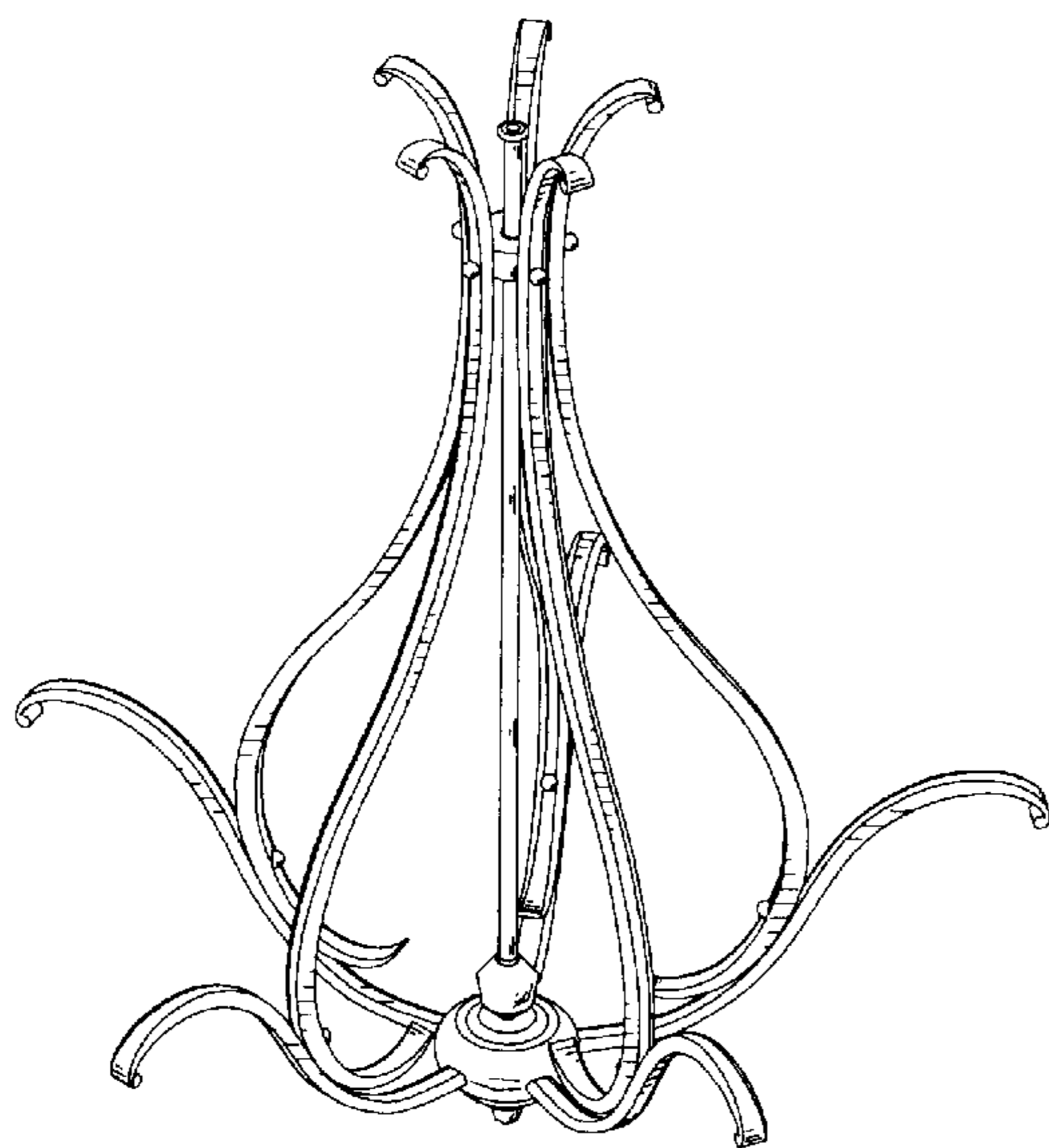
FIG. 6 is a top view thereof;

FIG. 7 is a bottom view thereof; and,

FIG. 8 is a perspective view showing the practical usage thereof.

The broken lines shown on the drawings are for illustrative purposes only and form no part of the claimed design.

1 Claim, 5 Drawing Sheets



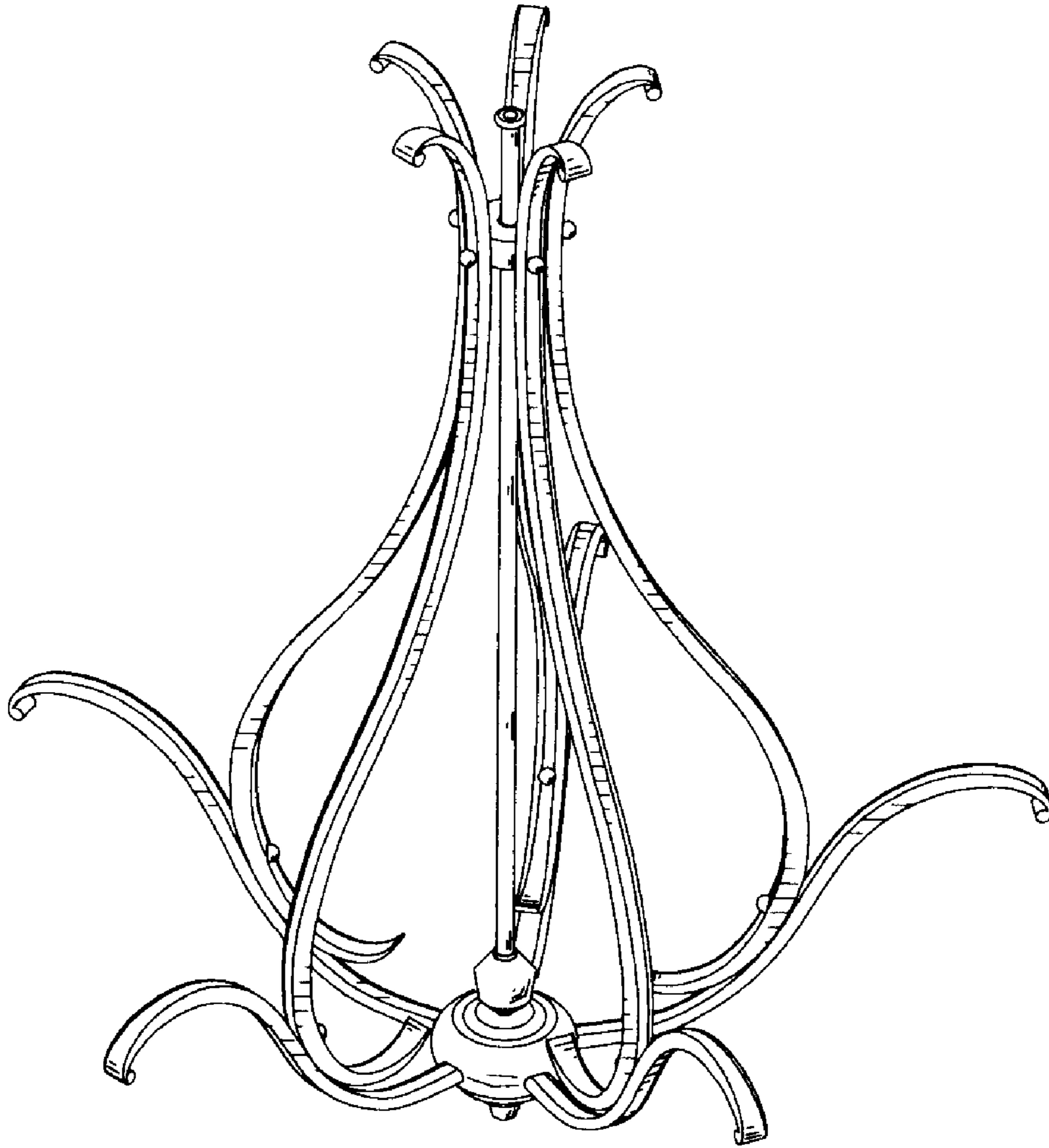


FIG 1

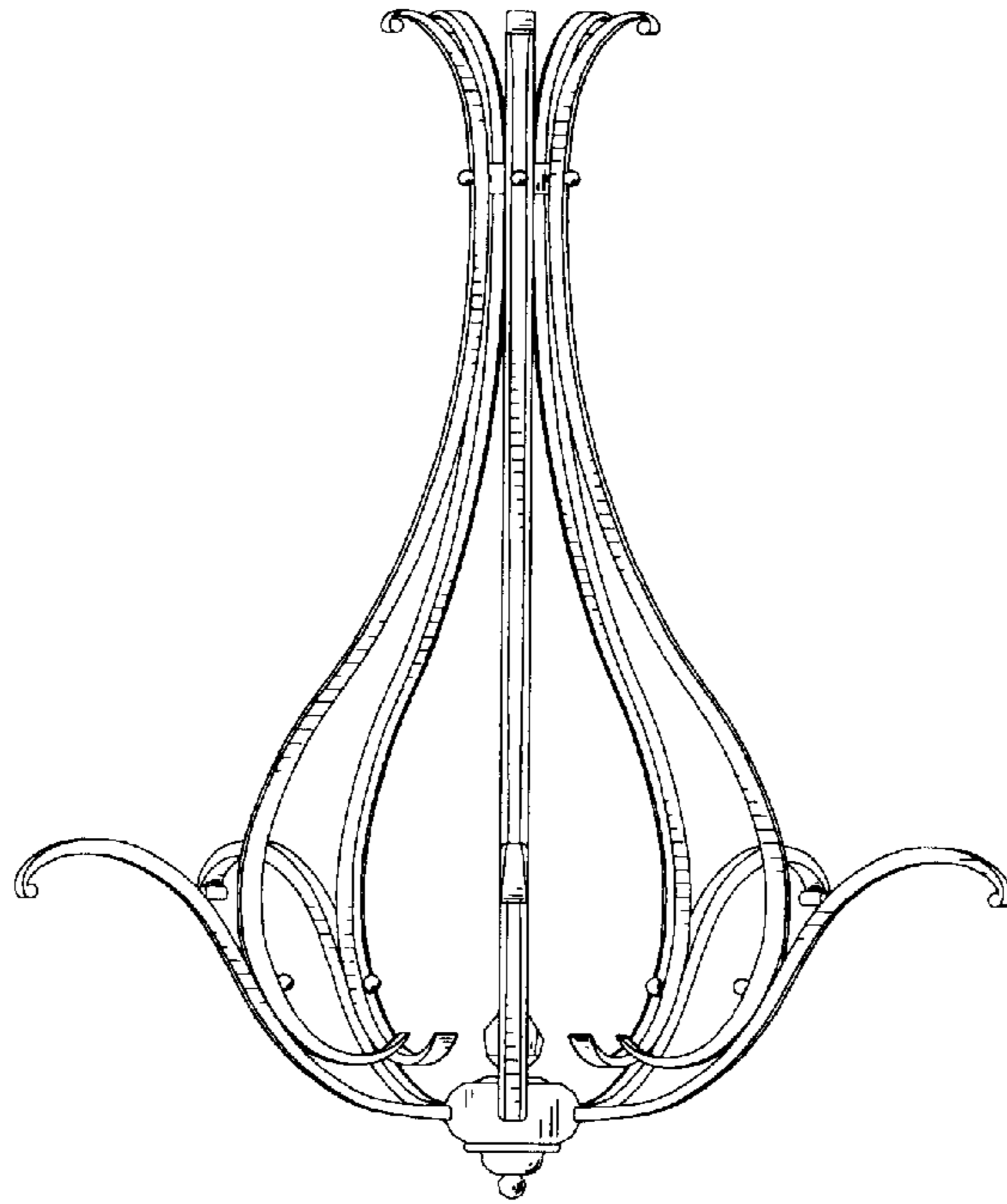


FIG 2

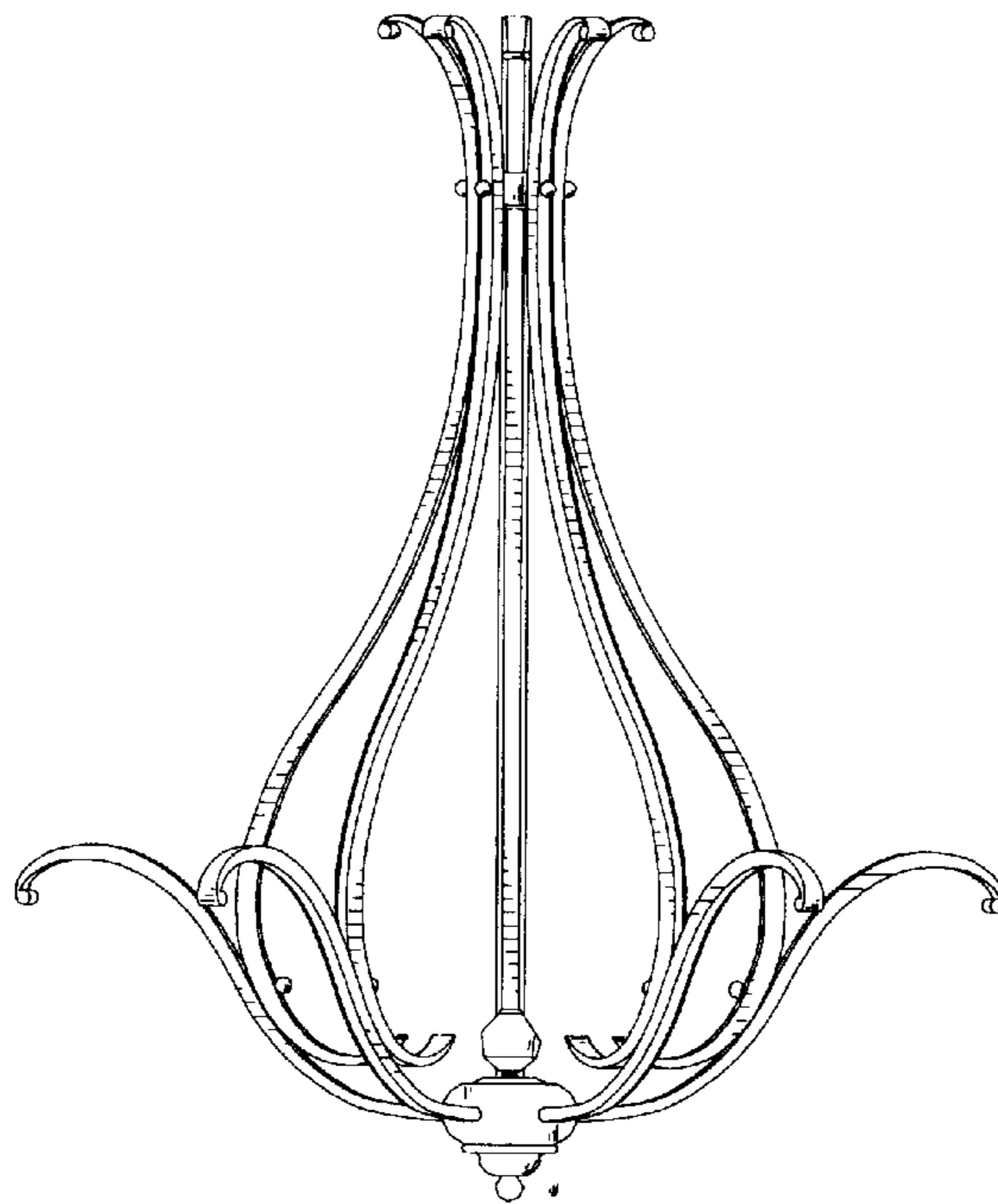


FIG 3

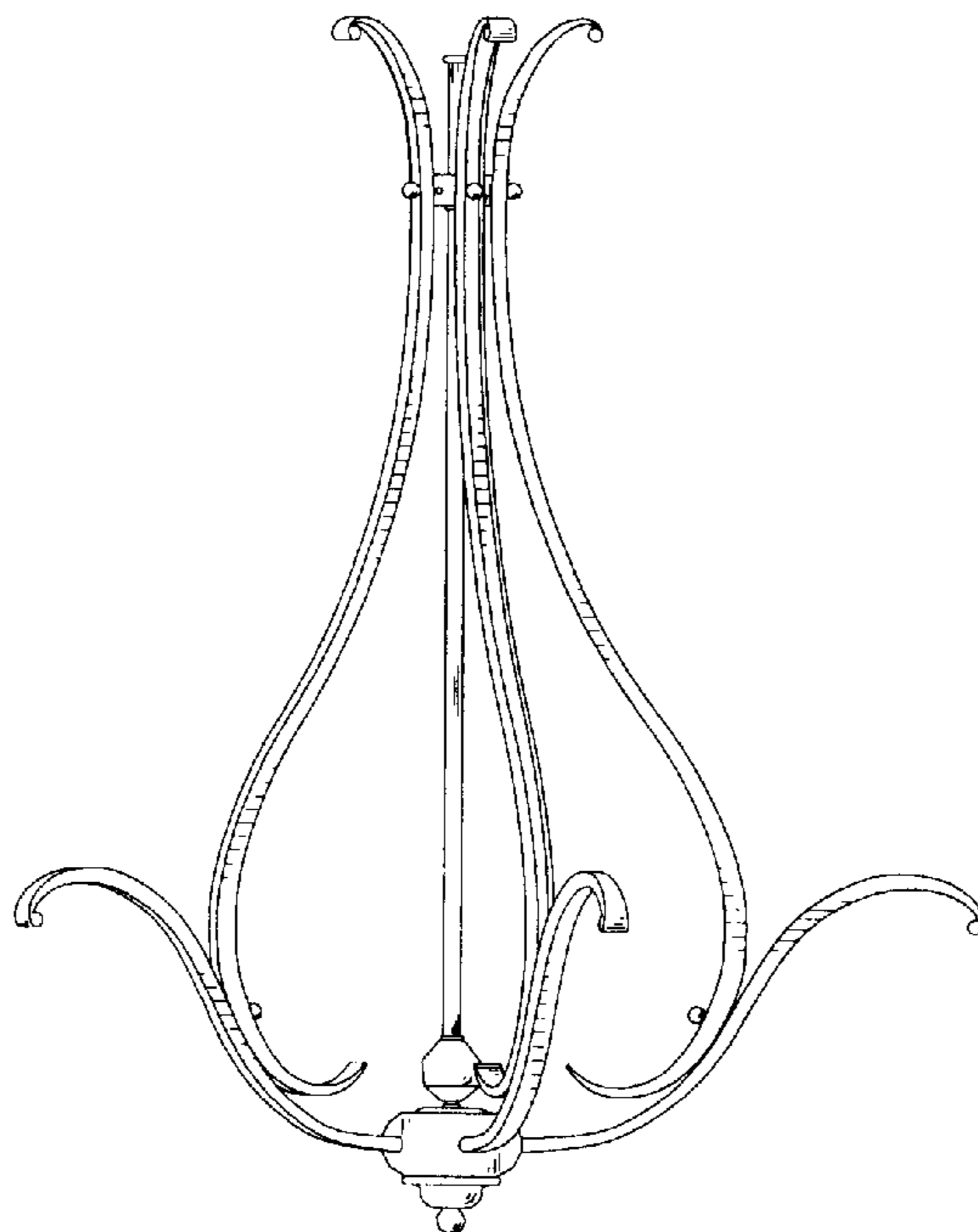


FIG 4

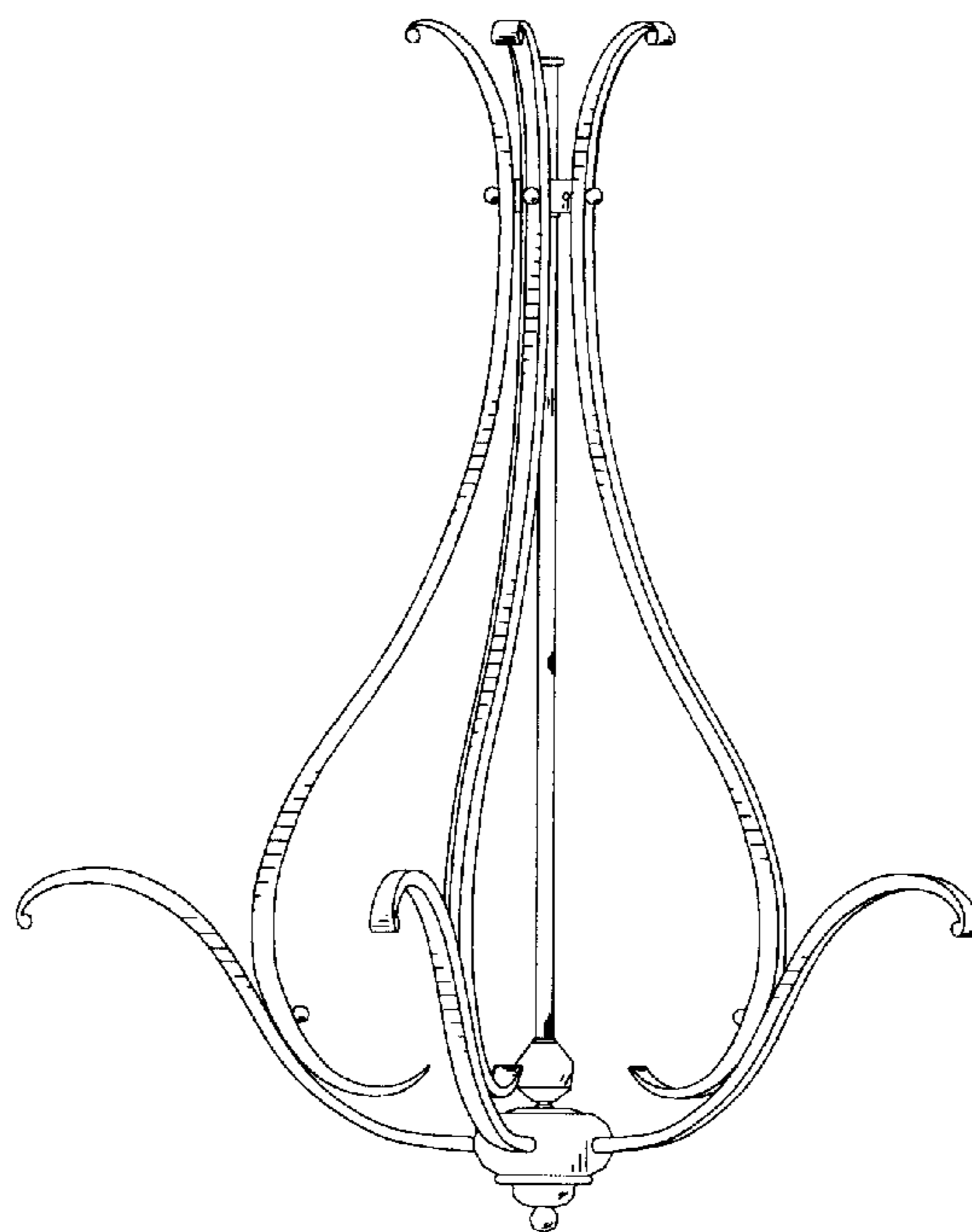


FIG 5

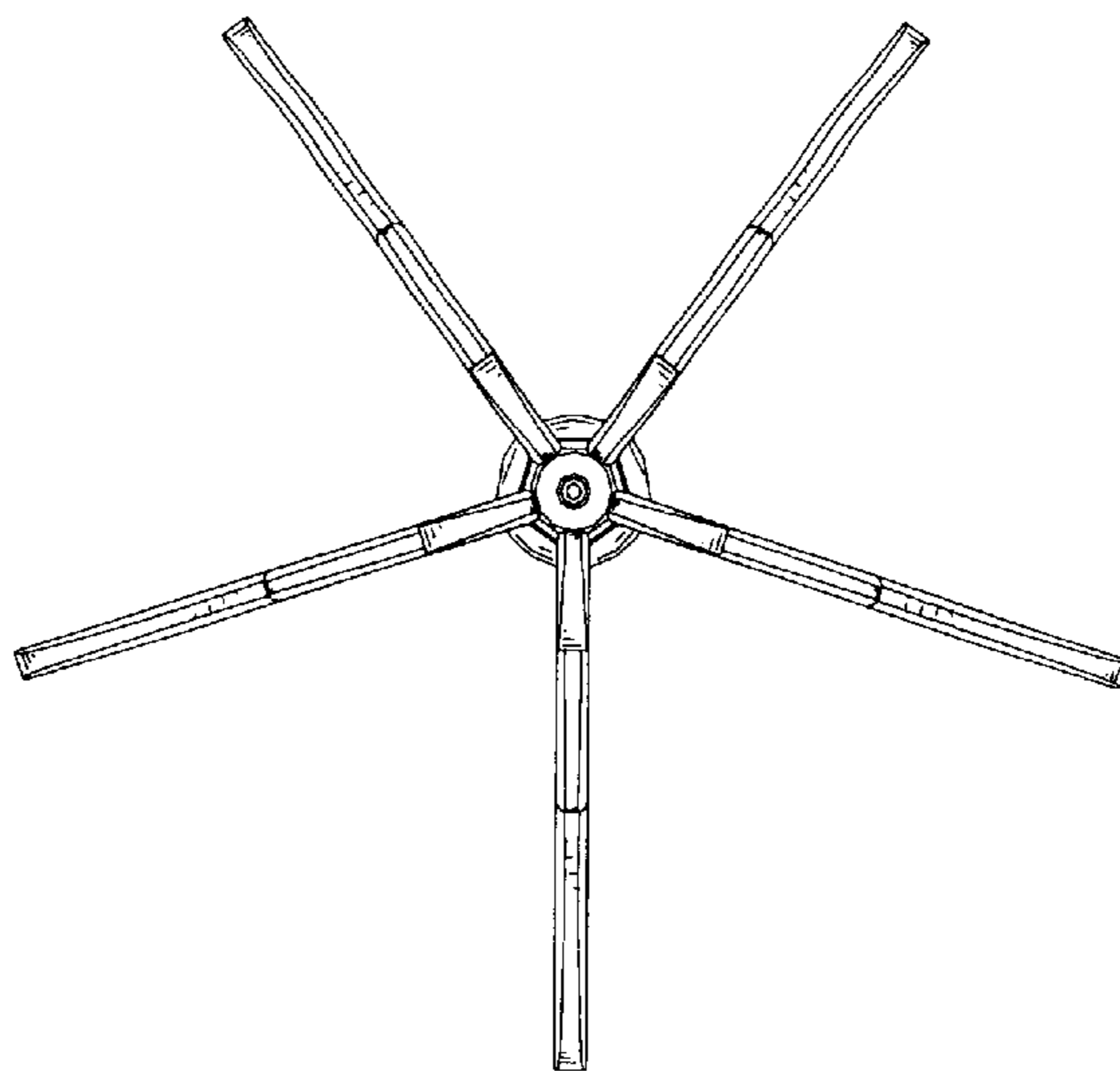


FIG 6

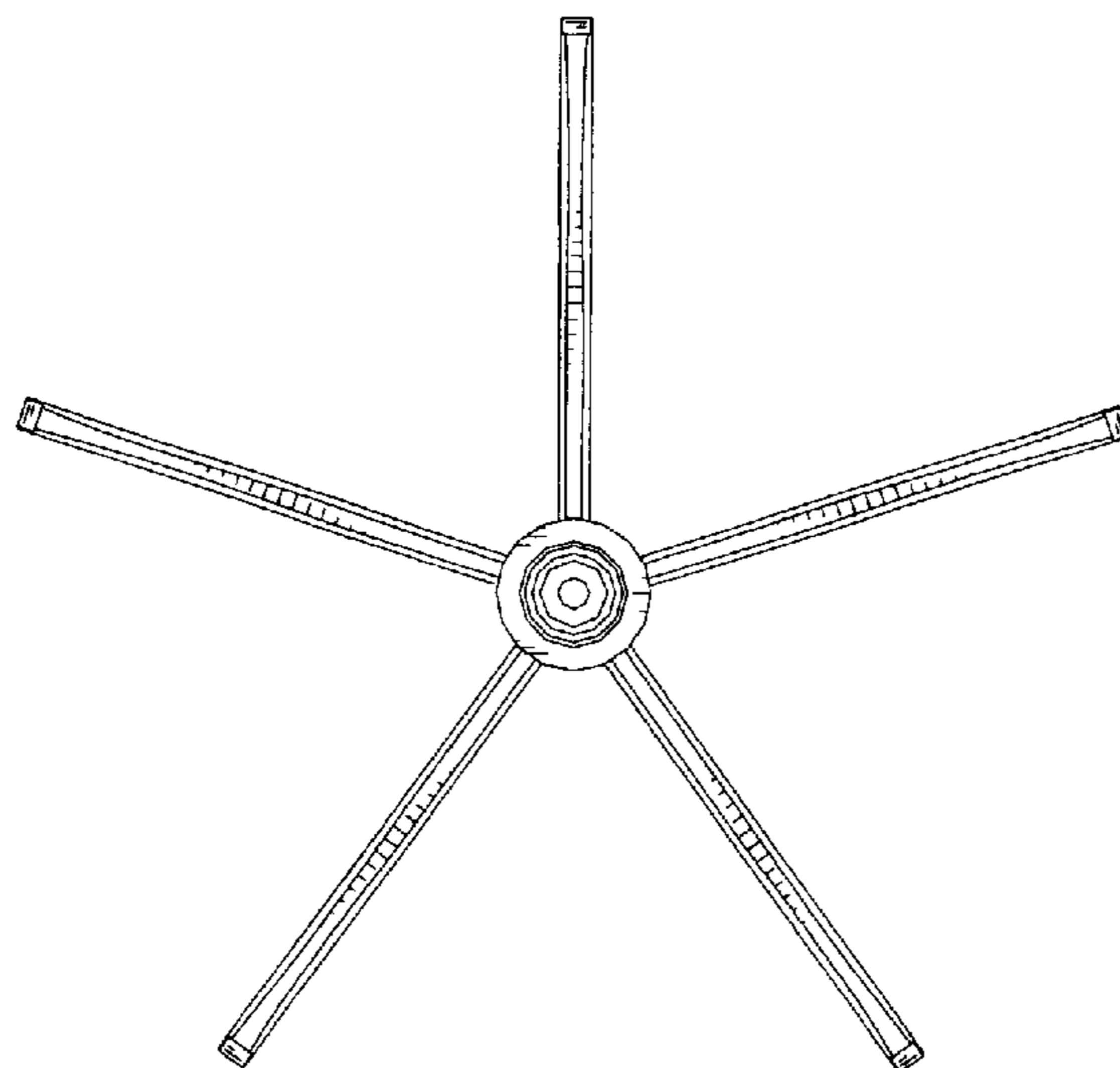


FIG 7

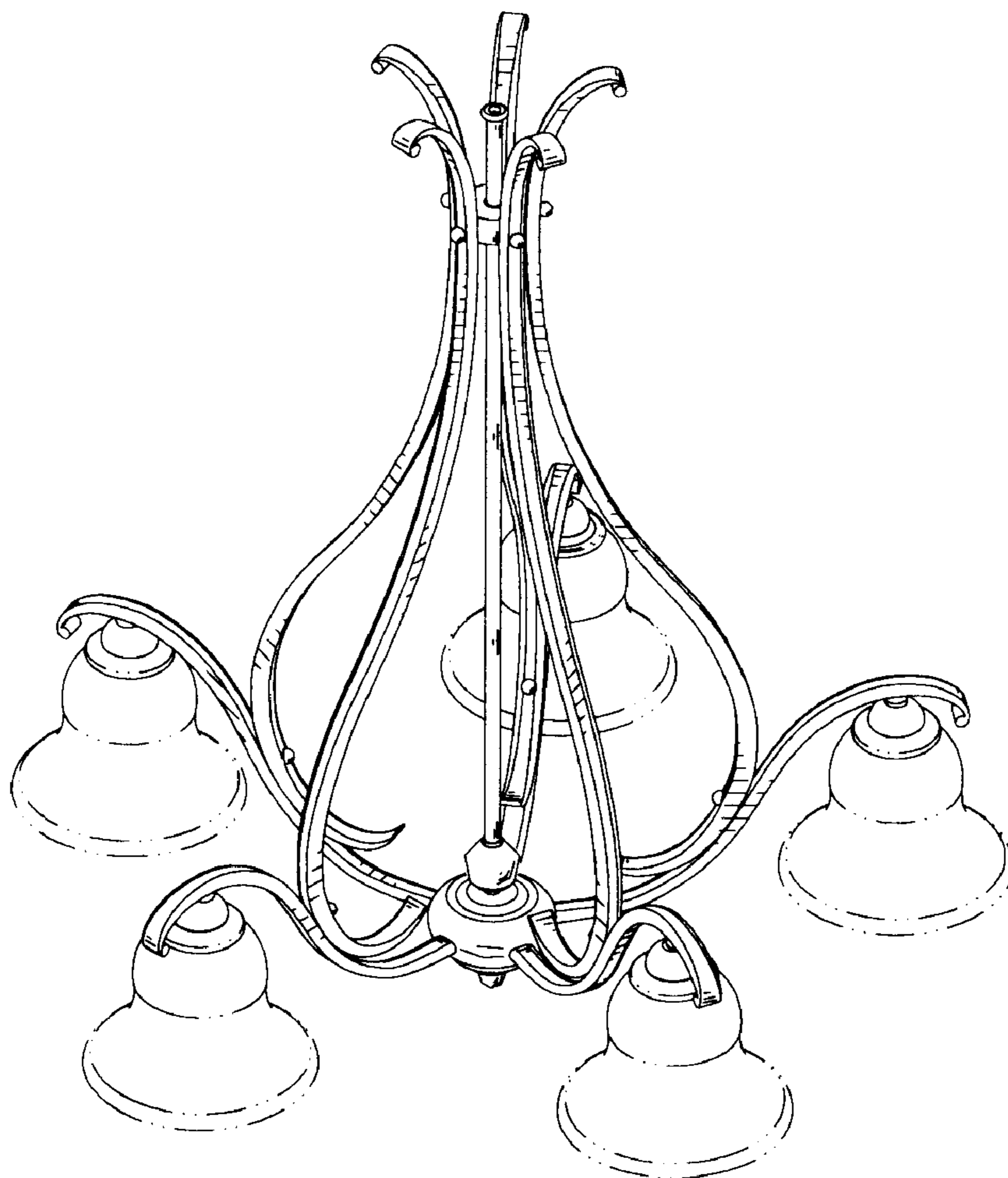


FIG 8