



US00D534292S

(12) **United States Design Patent**
Iacovelli et al.

(10) **Patent No.:** **US D534,292 S**

(45) **Date of Patent:** **** Dec. 26, 2006**

(54) **SPOT LIGHT**

D518,908 S * 4/2006 Yuen D26/46
D524,471 S * 7/2006 Yuen D26/46

(75) Inventors: **Marc Iacovelli**, Miami, FL (US); **David Cheung**, Kawloon (HK)

* cited by examiner

(73) Assignee: **Rally Manufacturing, Inc.**, Miami, FL (US)

Primary Examiner—Marcus A. Jackson

(74) *Attorney, Agent, or Firm*—Berenato, White & Stavish LLC

(**) Term: **14 Years**

(57) **CLAIM**

(21) Appl. No.: **29/243,324**

The ornamental design for a spot light, as shown and described.

(22) Filed: **Nov. 23, 2005**

DESCRIPTION

(51) **LOC (8) Cl.** **26-02**

(52) **U.S. Cl.** **D26/46**

(58) **Field of Classification Search** D26/37-50;
362/157, 158, 171-174, 183-208
See application file for complete search history.

FIG. 1 is a front, elevated perspective view of the spot light according to the present invention.

FIG. 2 is a front view of the spot light of FIG. 1.

FIG. 3 is a rear view of the spot light of FIG. 1.

FIG. 4 is a right side view of the spot light of FIG. 1.

FIG. 5 is a left view of the spot light of FIG. 1.

FIG. 6 is a top view of the spot light of FIG. 1.

FIG. 7 is a bottom view of the spot light of FIG. 1; and,

FIG. 8 is a left side view of the spot light of FIG. 1 with the pivoting light shown in a pivoted position.

(56) **References Cited**

U.S. PATENT DOCUMENTS

D425,229 S * 5/2000 Poon D26/46
D430,323 S * 8/2000 Yuen D26/46
D514,722 S * 2/2006 Shen D26/46

1 Claim, 8 Drawing Sheets

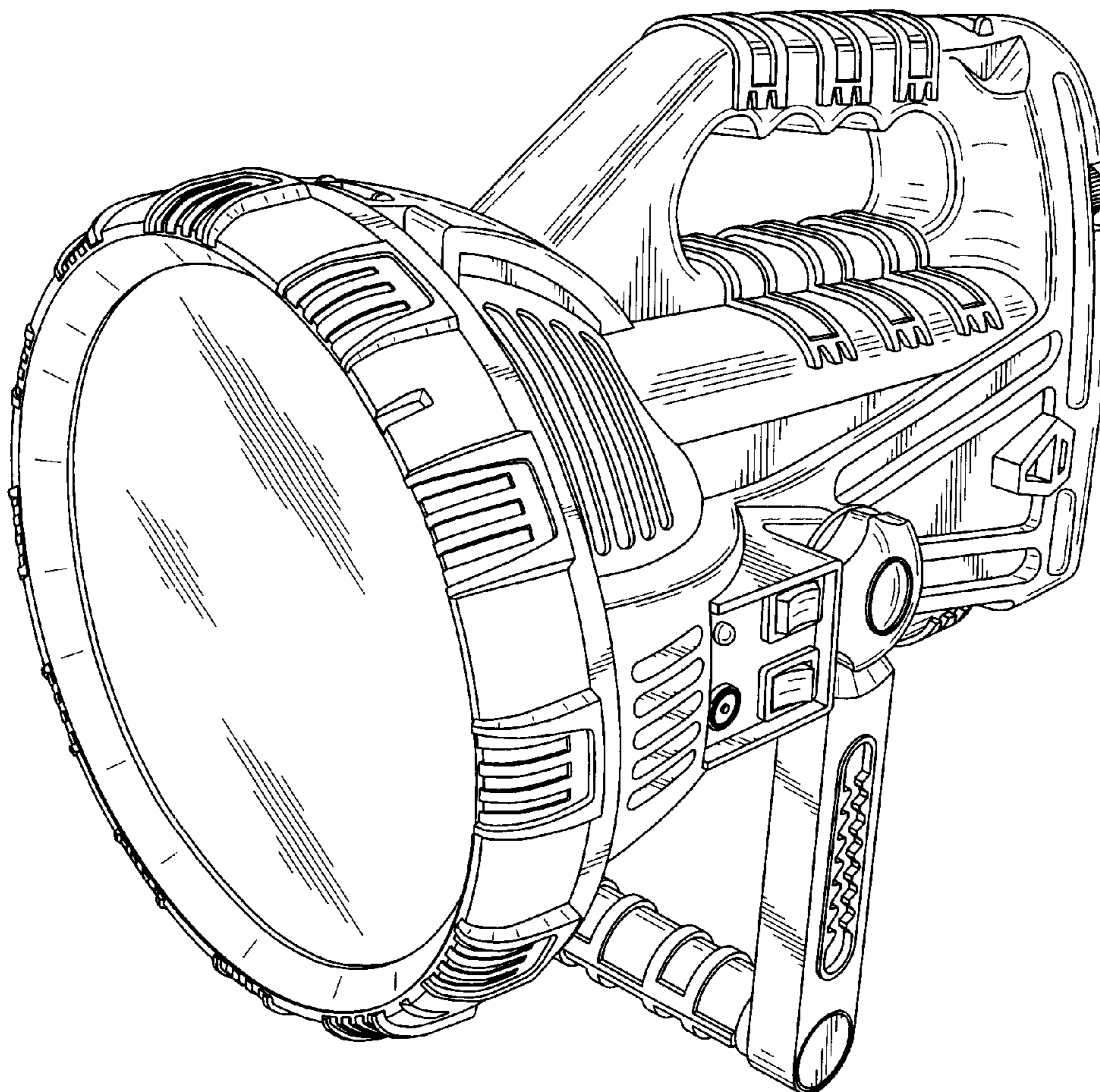


Fig. 1

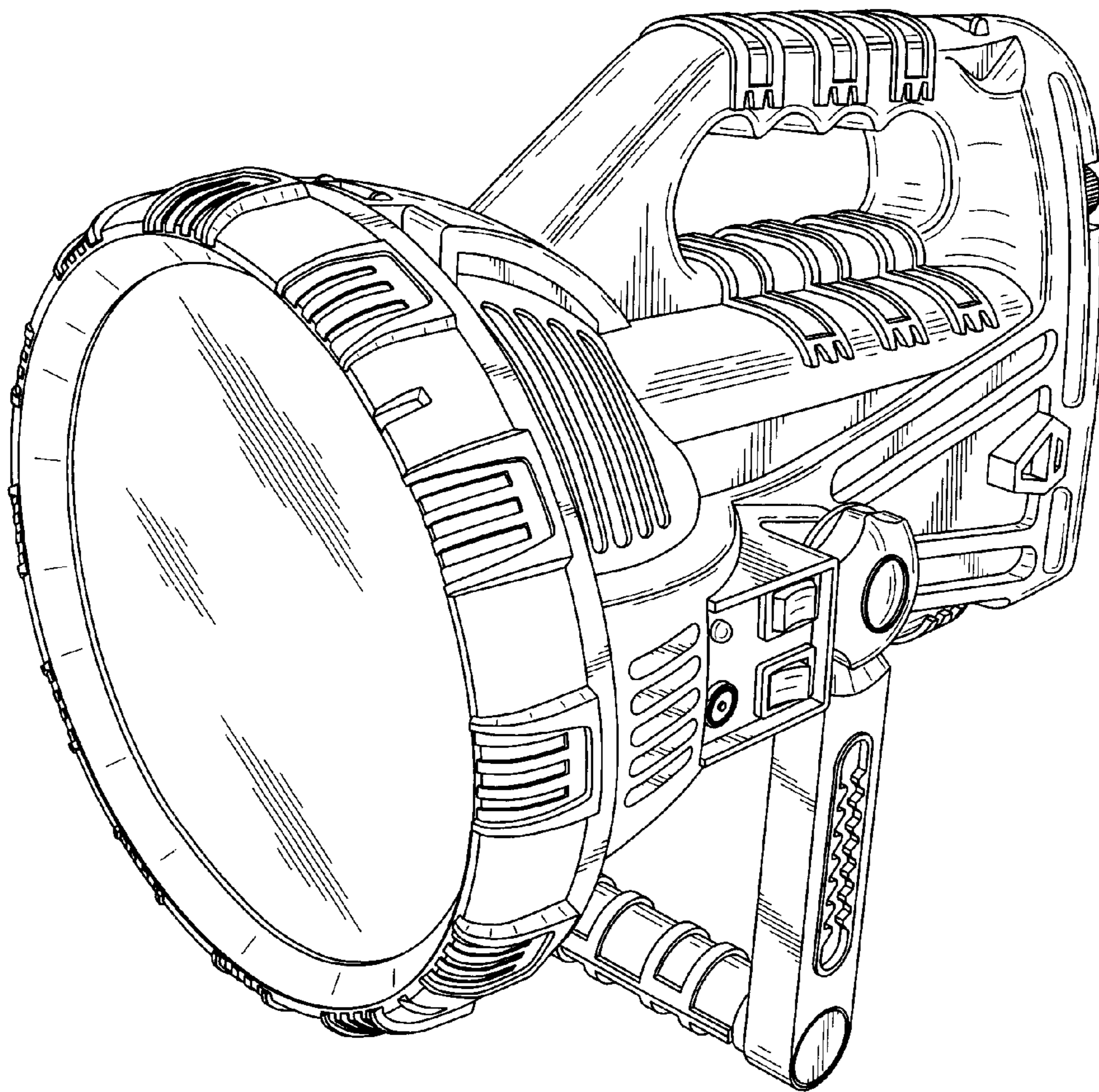


Fig. 2

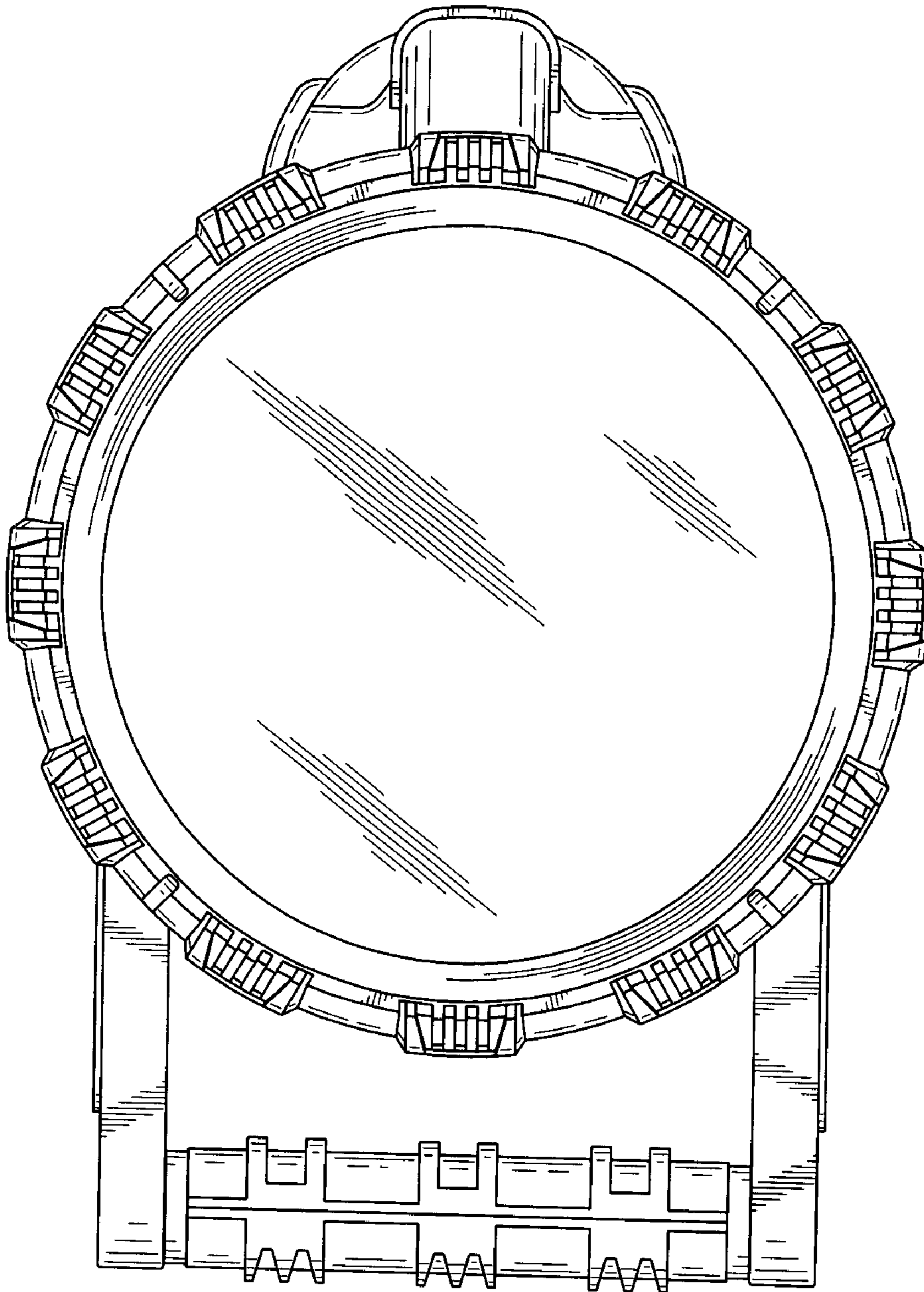


Fig. 3

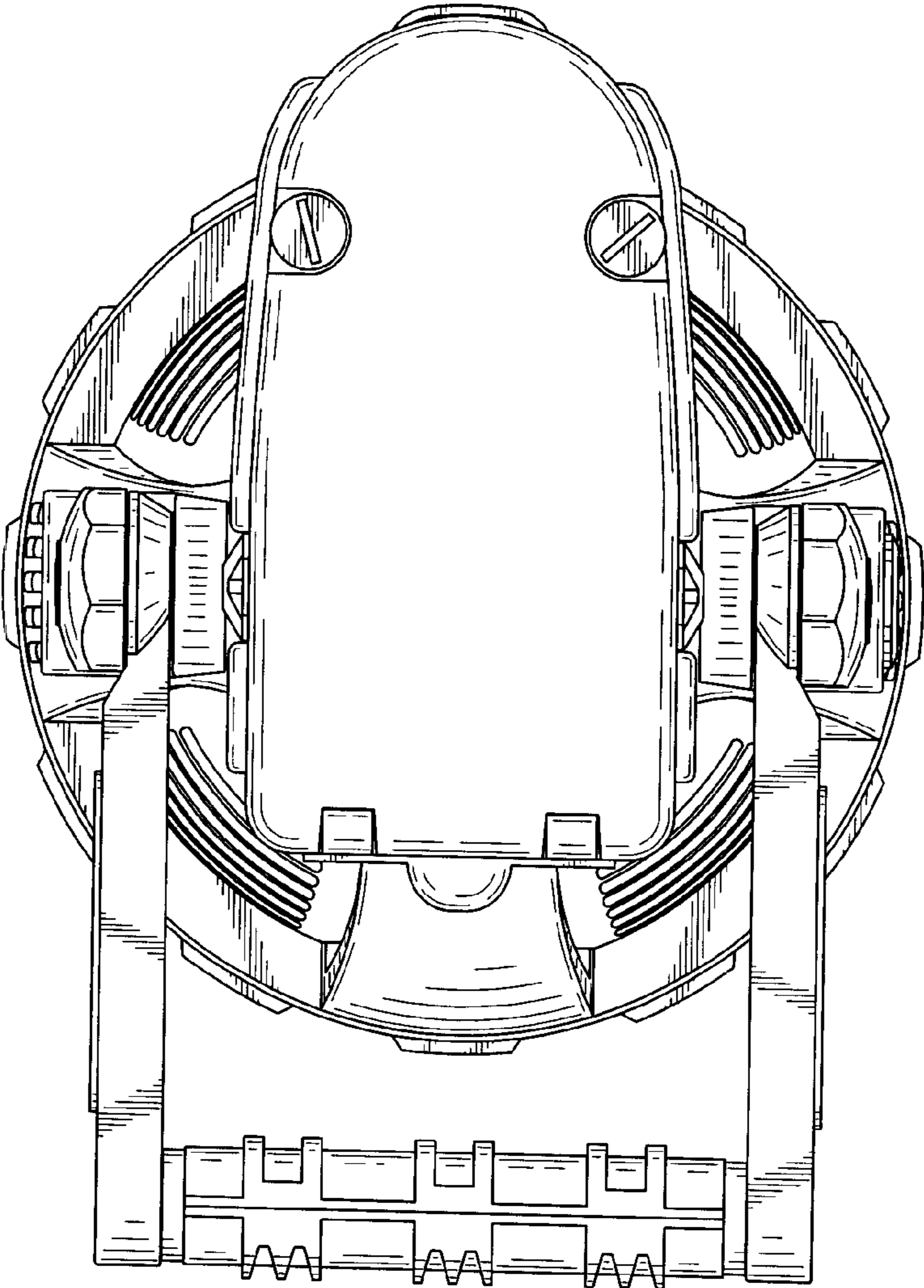


Fig. 4

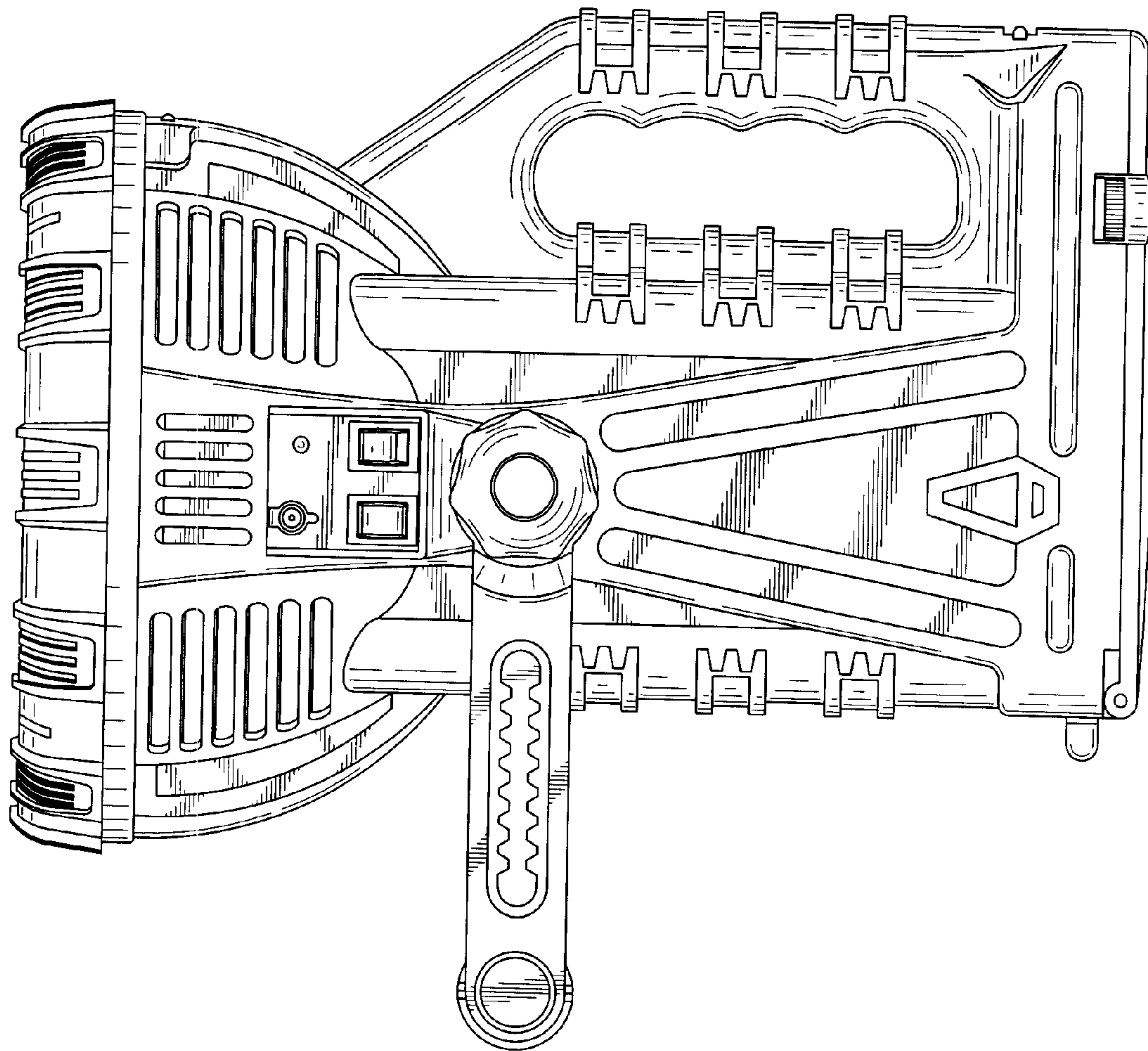


Fig. 5

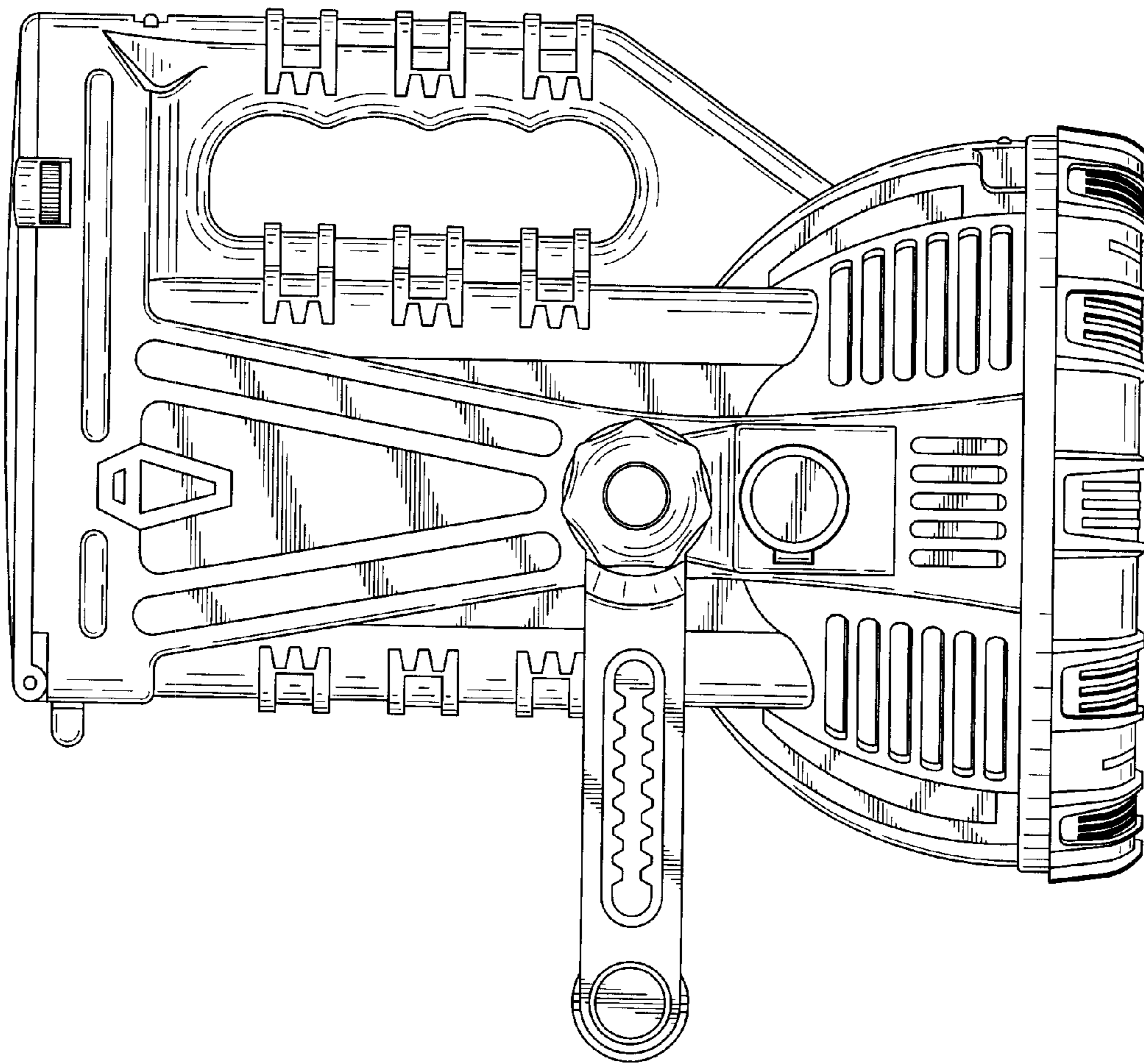


Fig. 6

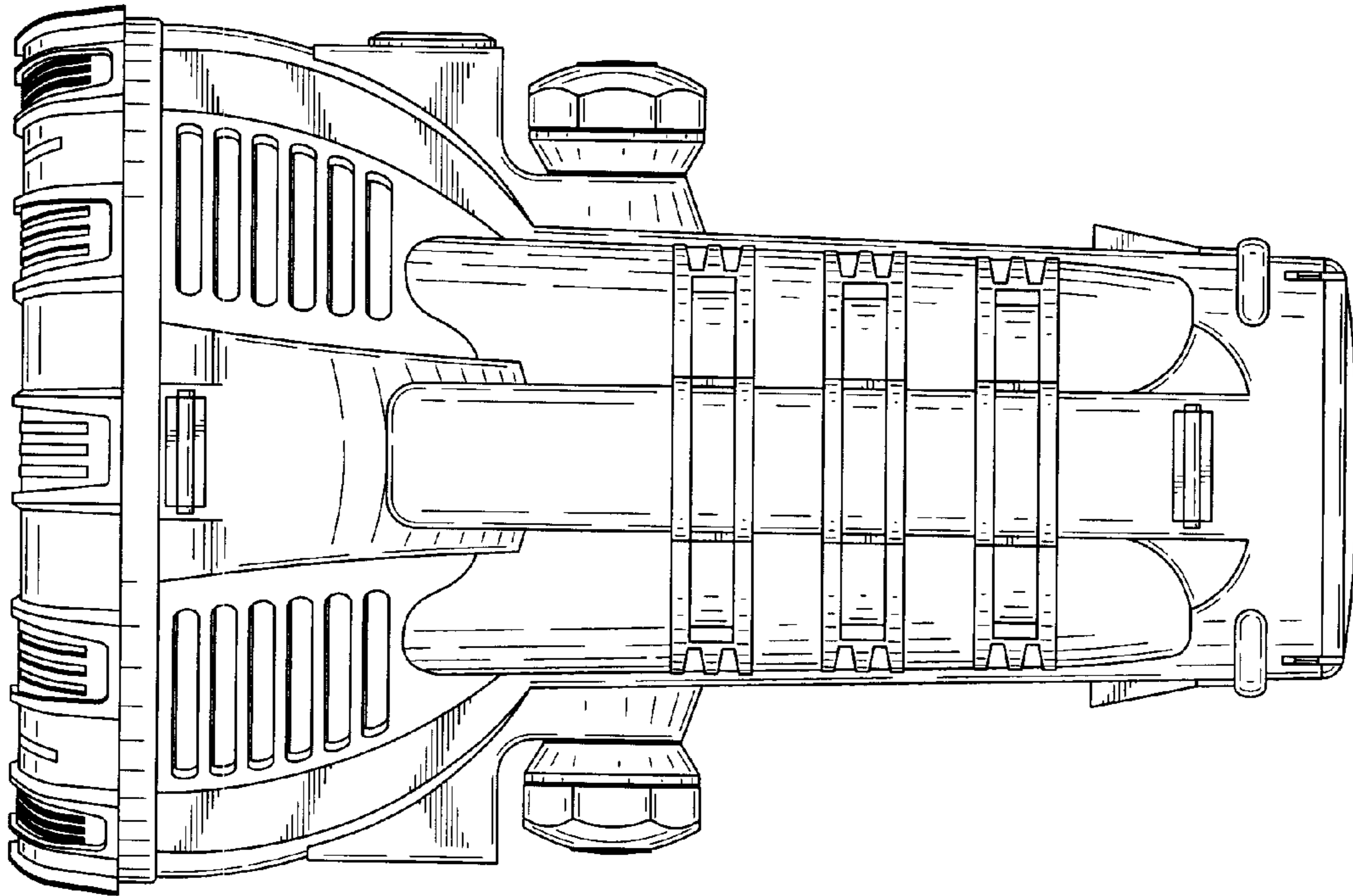


Fig. 7

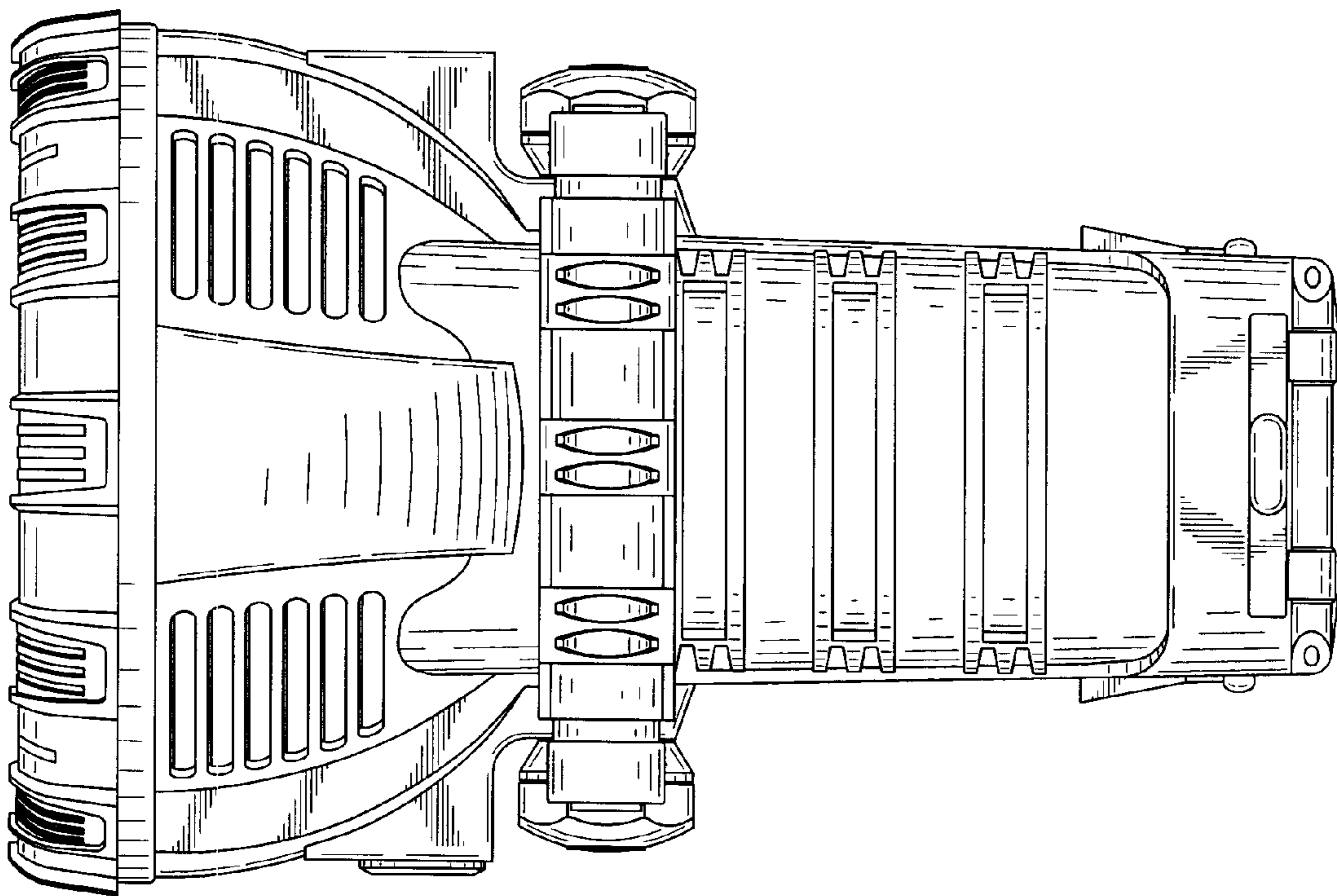


Fig. 8

