



US00D534290S

(12) **United States Design Patent**  
**Yuen**

(10) **Patent No.:** **US D534,290 S**

(45) **Date of Patent:** **\*\* Dec. 26, 2006**

(54) **RECHARGEABLE HALOGEN SPOTLIGHT WITH LED LIGHT**

D430,323 S \* 8/2000 Yuen ..... D26/46  
D520,165 S \* 5/2006 Yuen ..... D26/46

(76) Inventor: **Se Kit Yuen**, 6/F., Yau Lee Centre, 45 Hoi Yuen Road, Kwun Tong, Kowloon (HK)

\* cited by examiner

*Primary Examiner*—Marcus A. Jackson  
(74) *Attorney, Agent, or Firm*—Akerman Senterfitt

(\*\*) Term: **14 Years**

(57) **CLAIM**

(21) Appl. No.: **29/242,840**

The ornamental design of a rechargeable halogen spotlight with LED light, as shown and described.

(22) Filed: **Nov. 15, 2005**

**DESCRIPTION**

(51) **LOC (8) Cl.** ..... **26-02**

(52) **U.S. Cl.** ..... **D26/46**

(58) **Field of Classification Search** ..... D26/37–50;  
362/157, 158, 171–174, 183–208

See application file for complete search history.

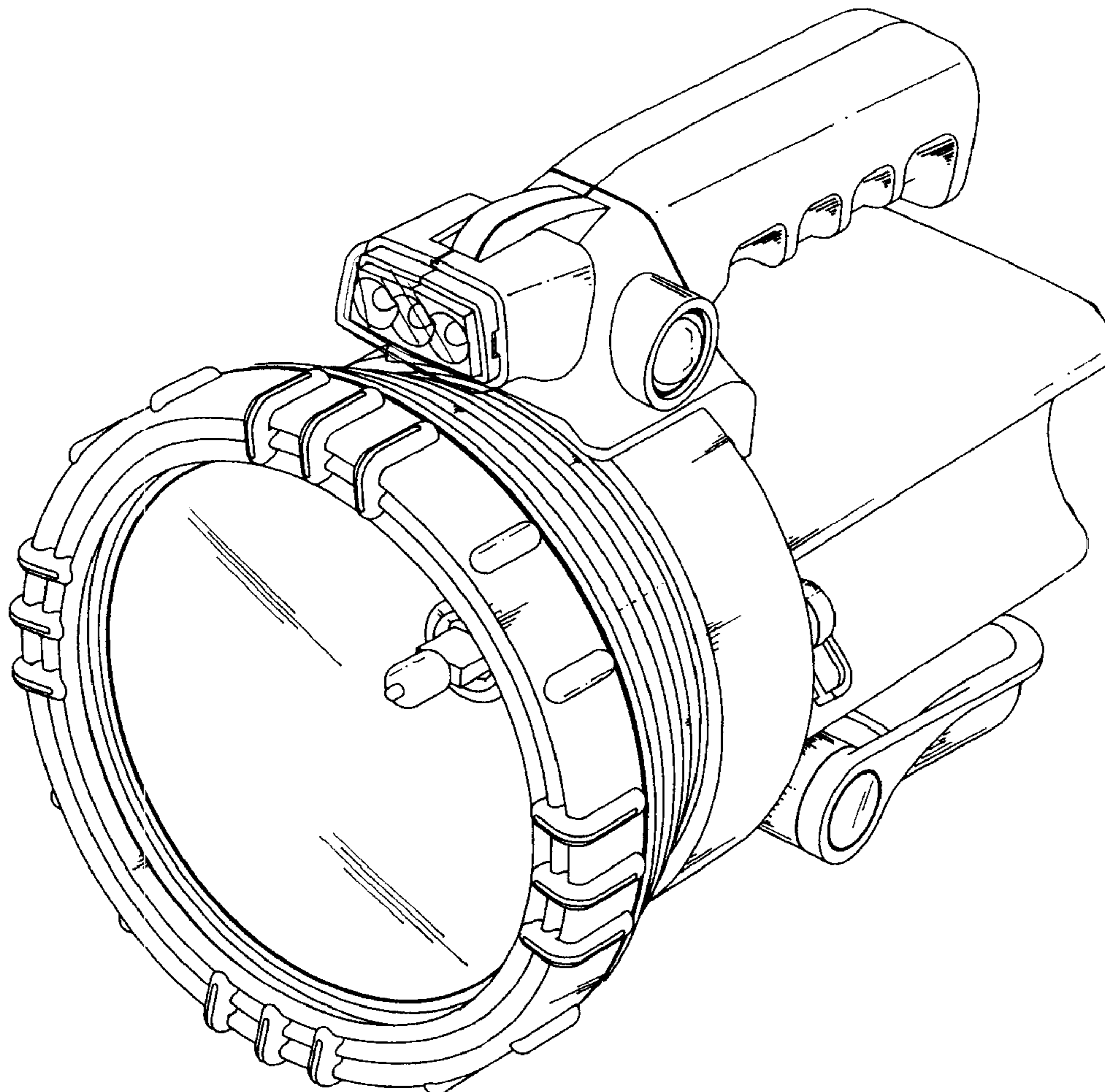
FIG. 1 is a perspective view of the rechargeable halogen spotlight with LED light;  
FIG. 2 is another perspective view thereof;  
FIG. 3 is a front view thereof;  
FIG. 4 is a rear view thereof;  
FIG. 5 is a left side view thereof;  
FIG. 6 is right side view thereof  
FIG. 7 is a top view thereof; and,  
FIG. 8 is a bottom view thereof.

(56) **References Cited**

**U.S. PATENT DOCUMENTS**

D345,811 S \* 4/1994 Van Deursen et al. .... D26/46  
D348,740 S \* 7/1994 Yuen ..... D26/46

**1 Claim, 5 Drawing Sheets**



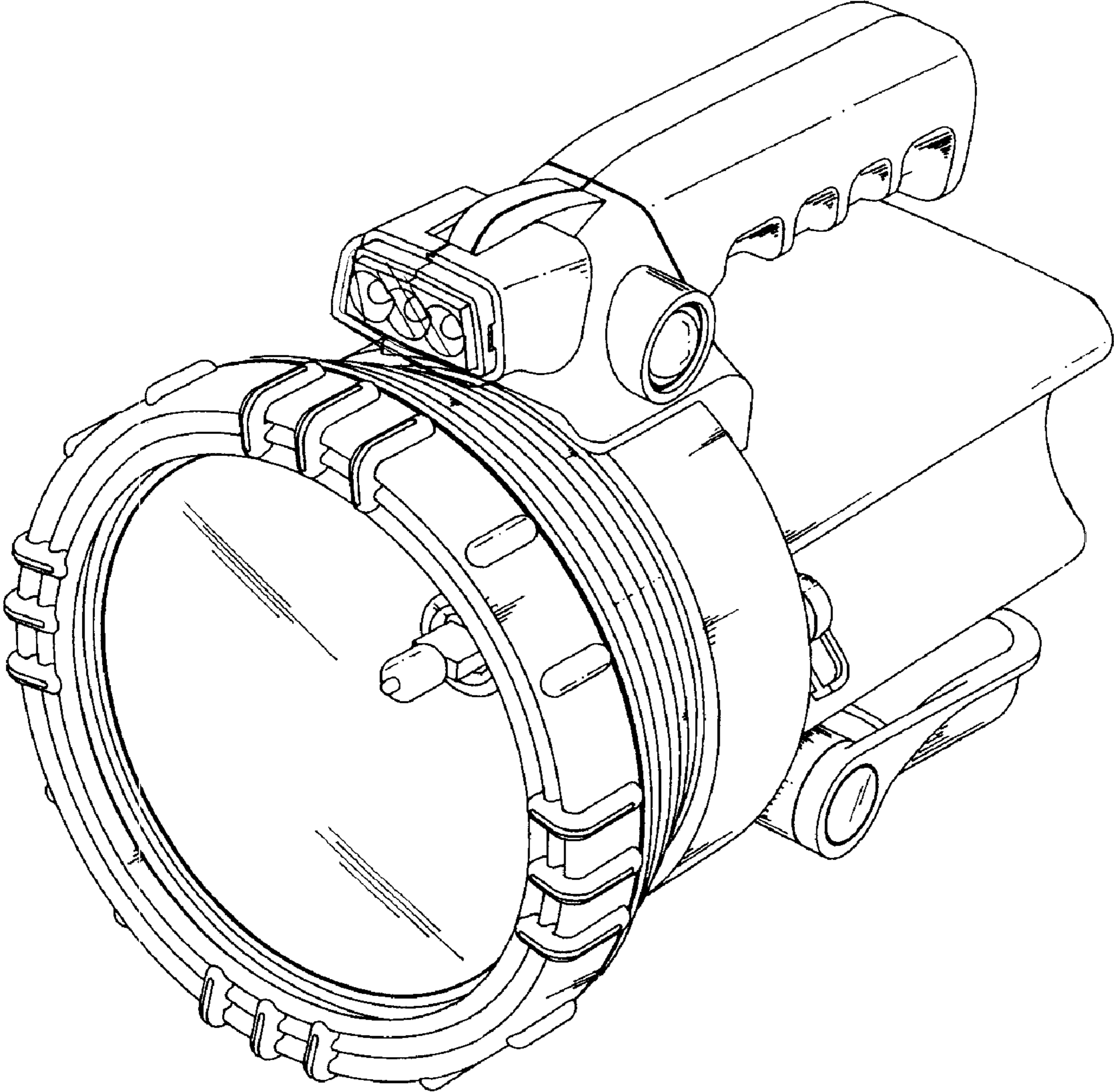


FIG. 1

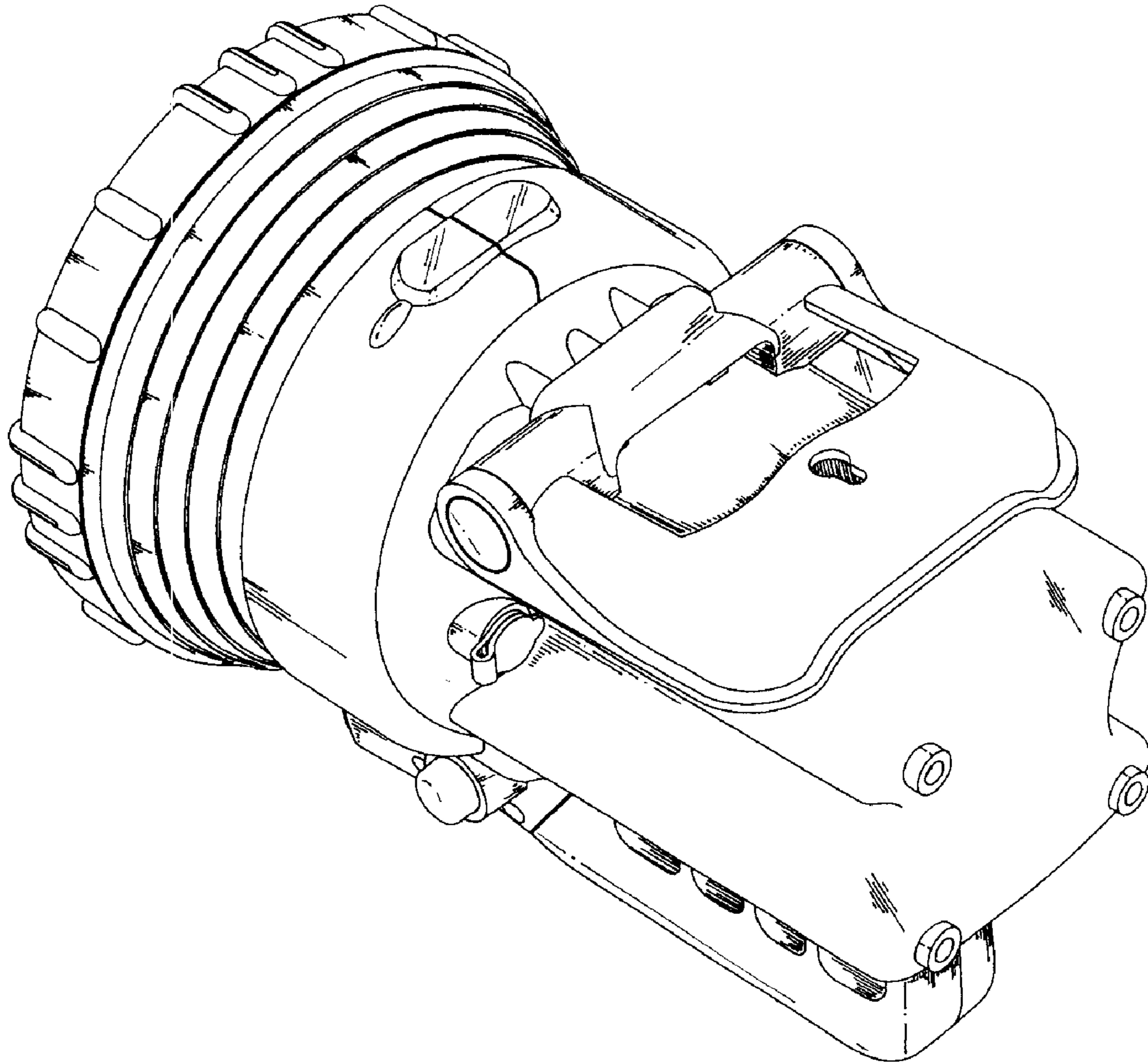


FIG. 2

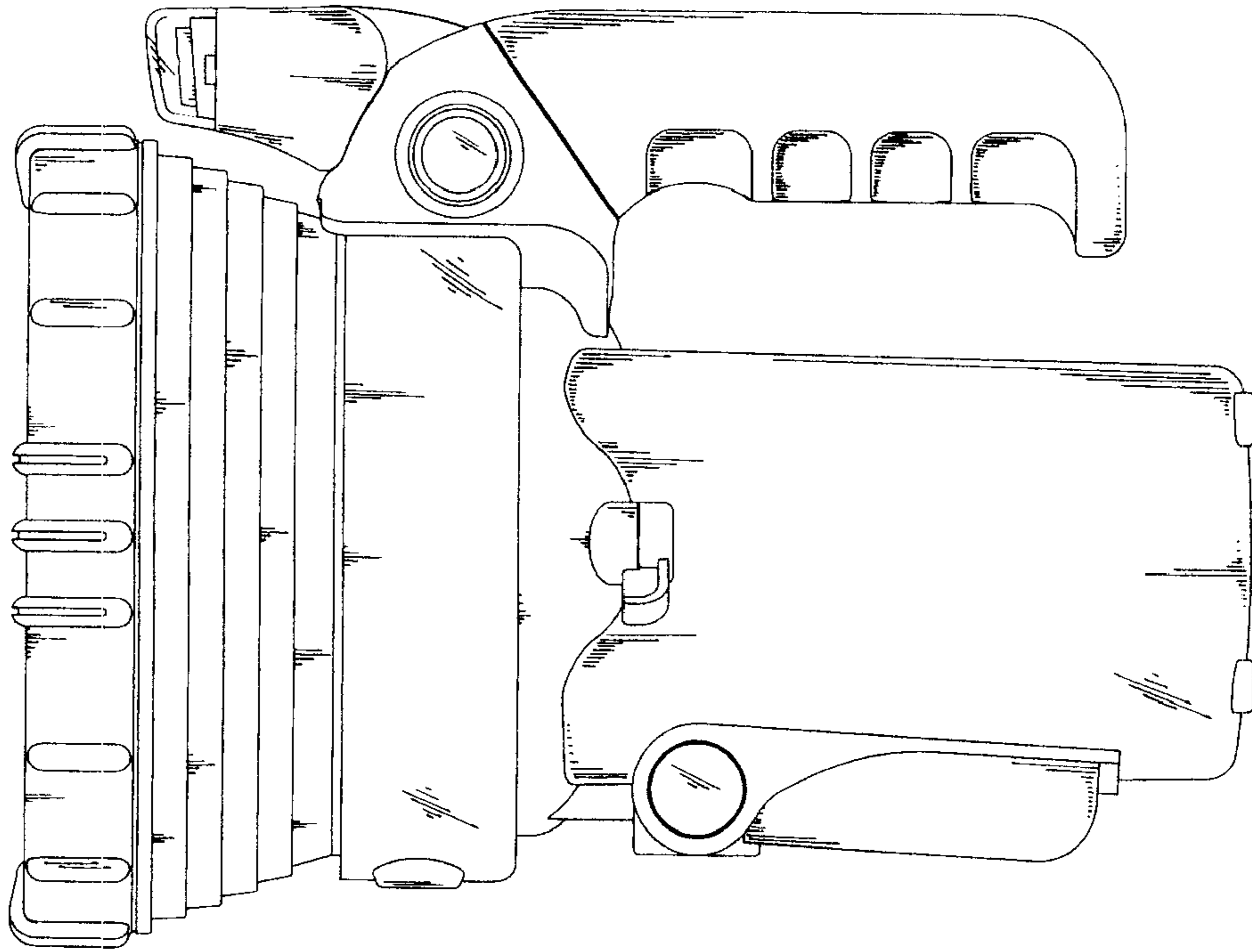


FIG. 3

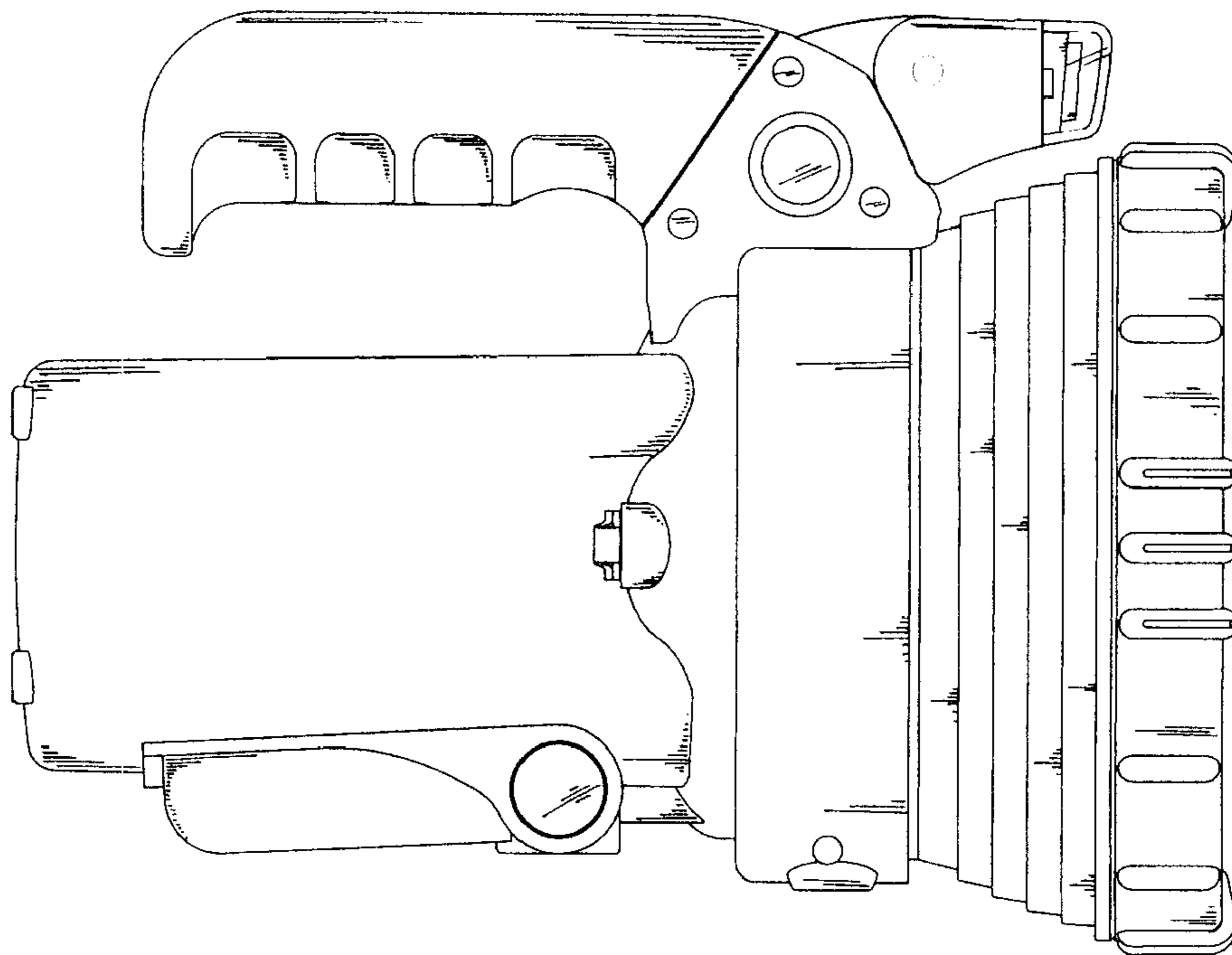


FIG. 4

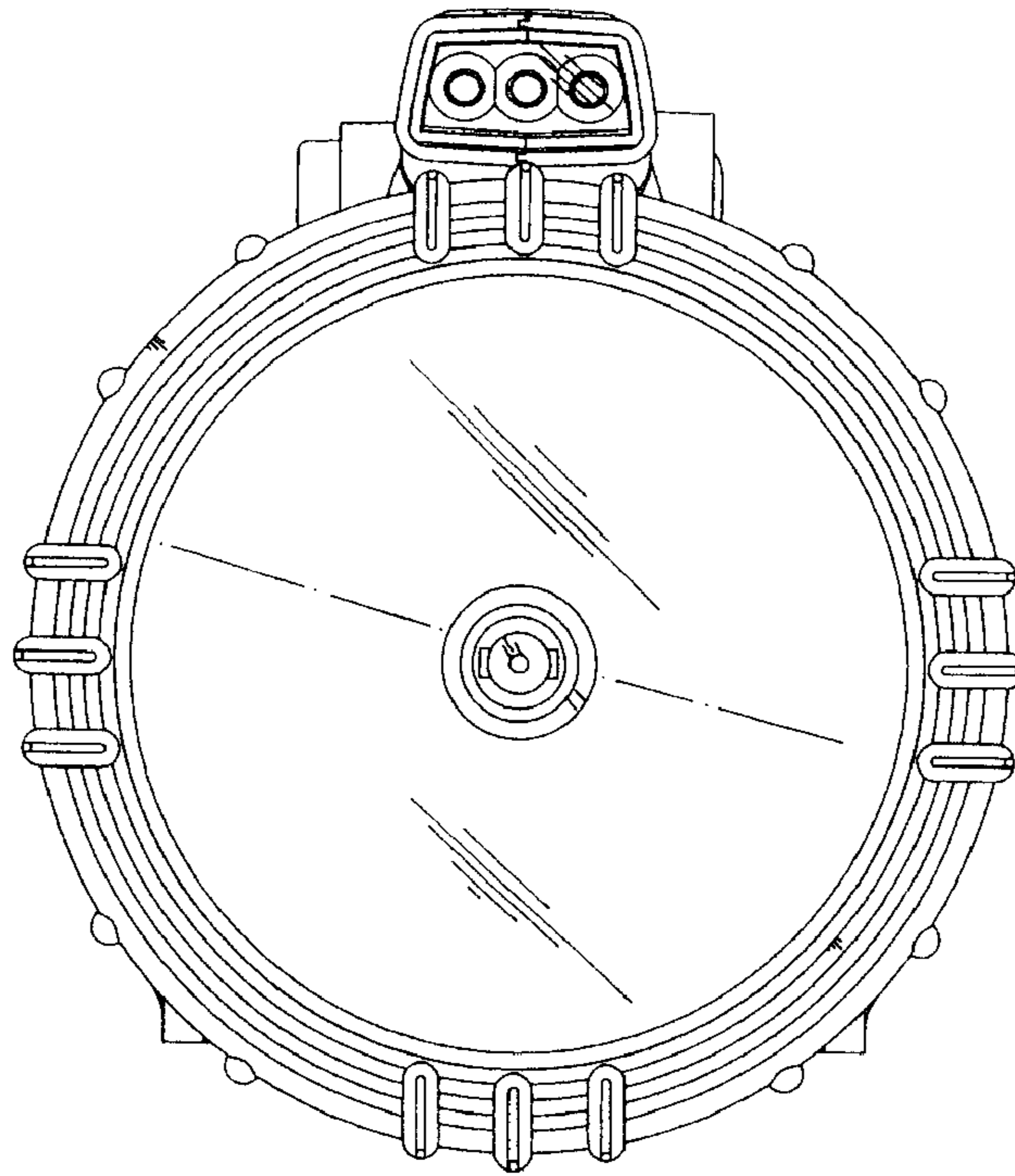


FIG. 5

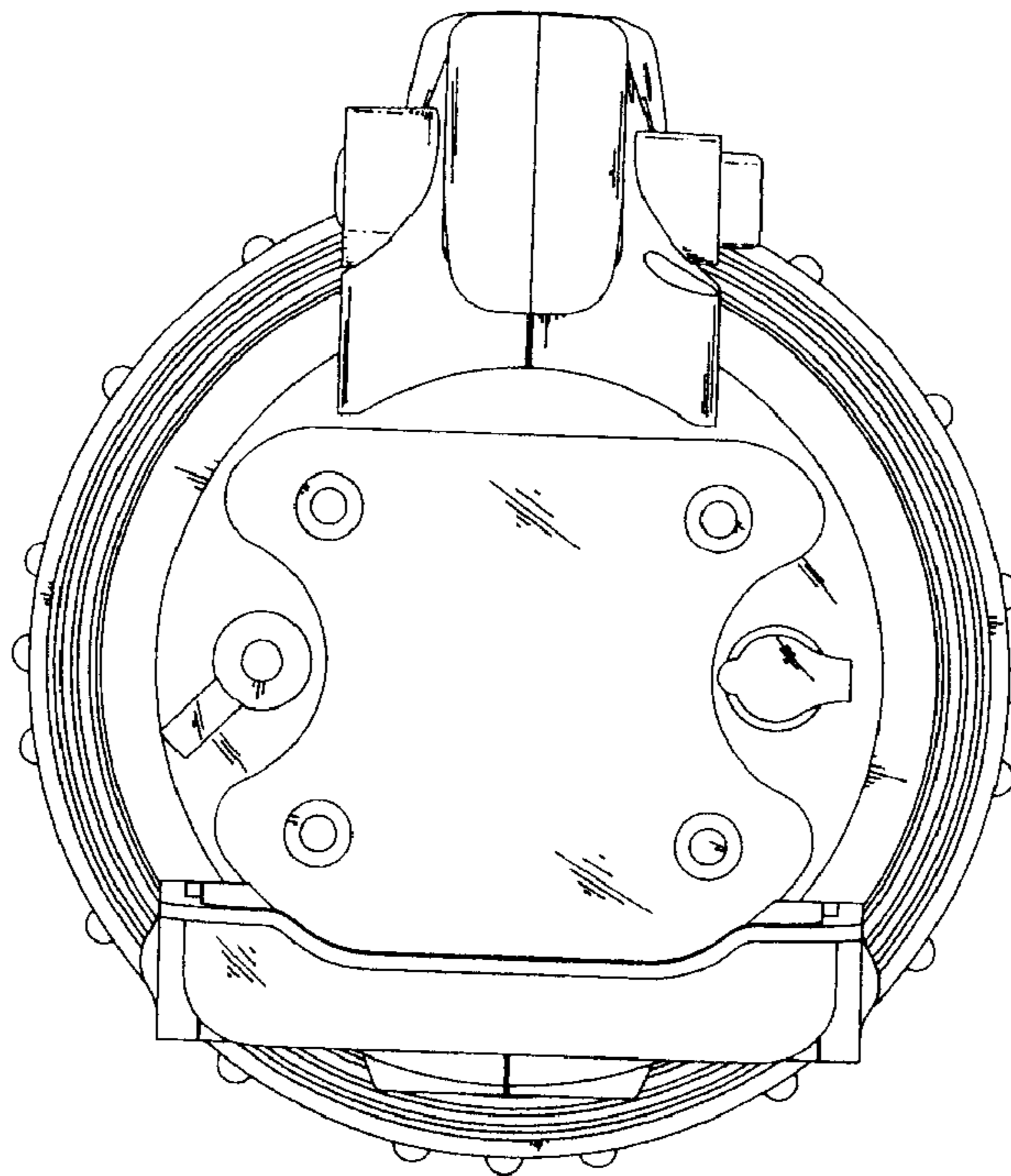


FIG. 6

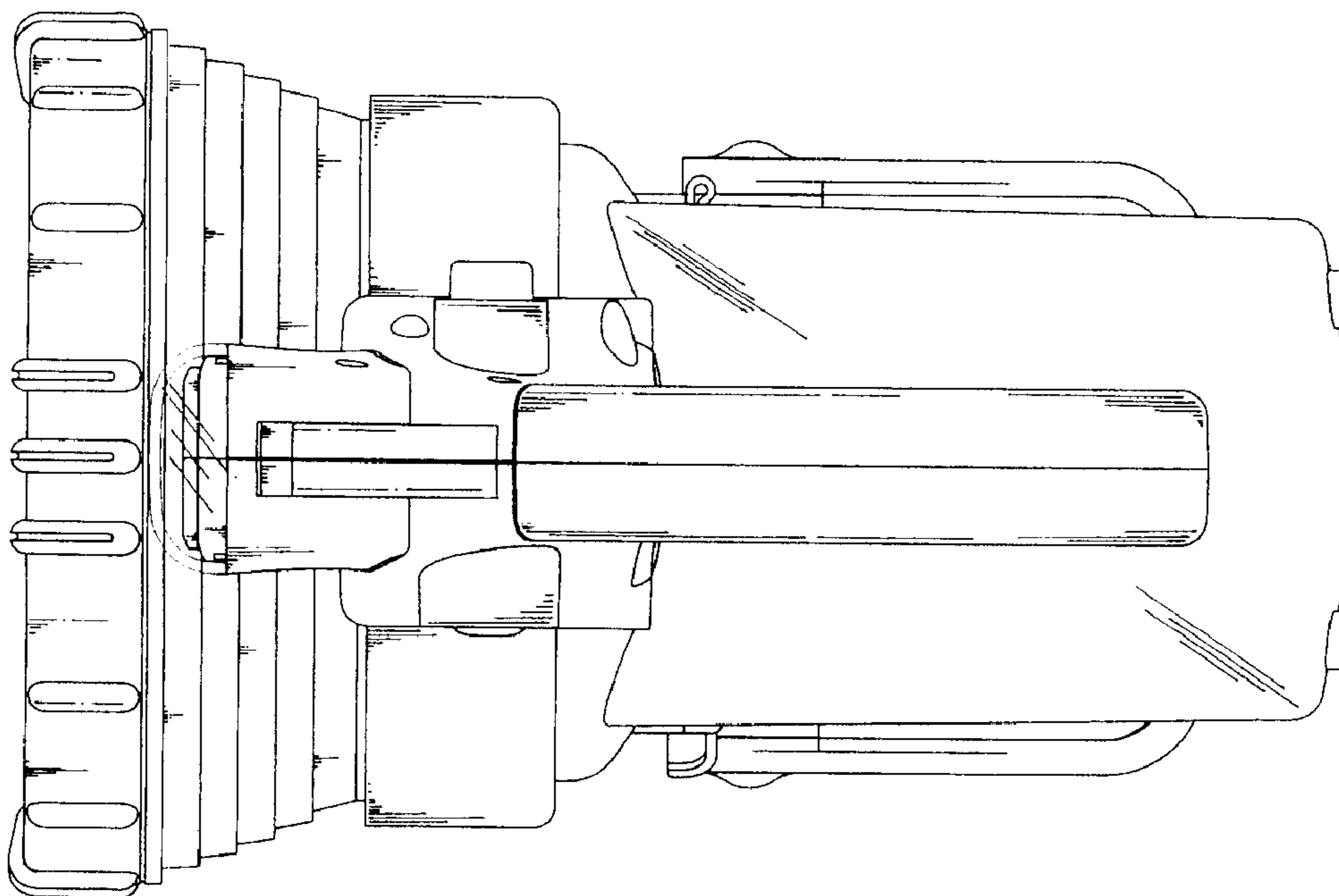


FIG. 7

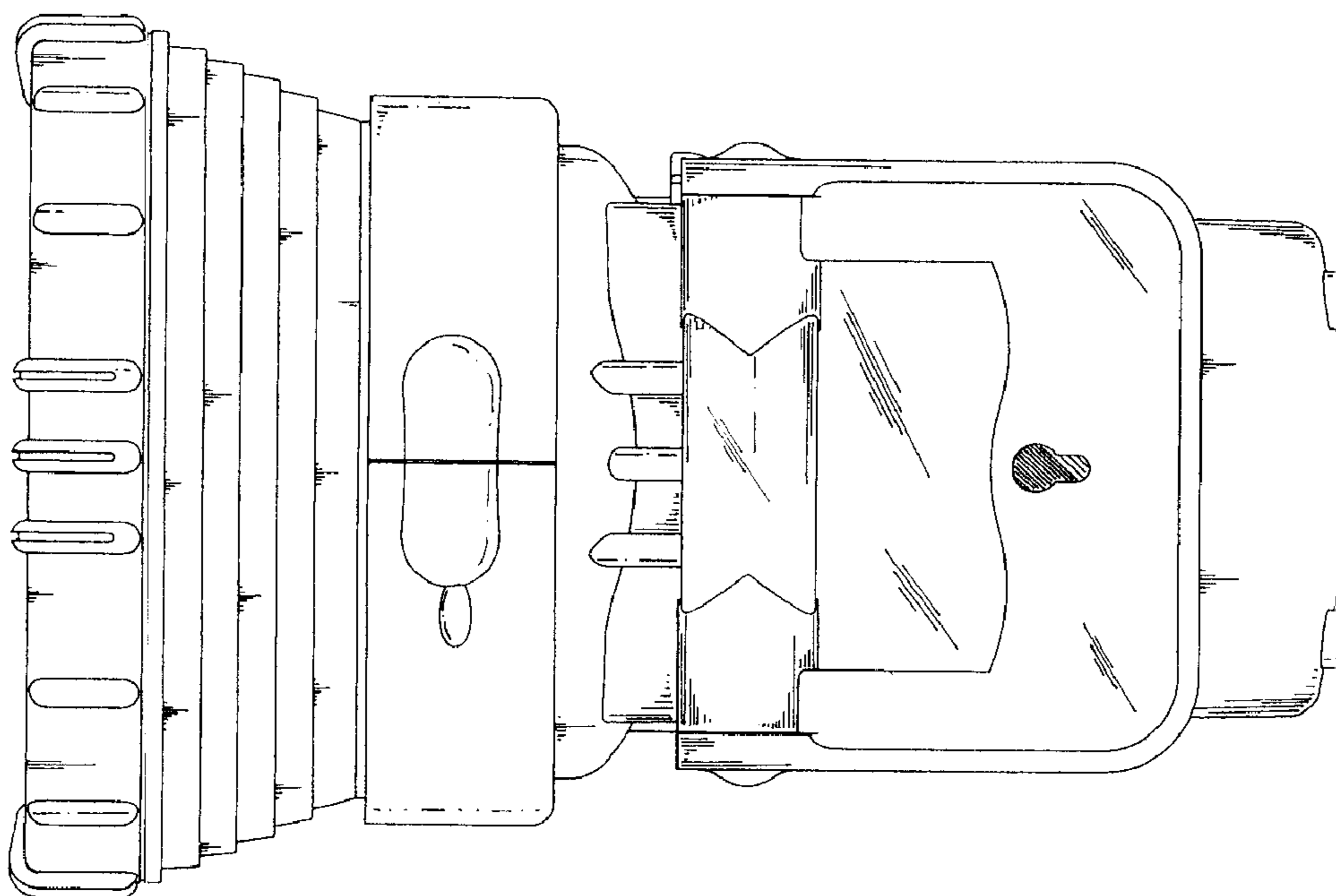


FIG. 8