



US00D534289S

(12) **United States Design Patent**
Shiu

(10) **Patent No.:** **US D534,289 S**

(45) **Date of Patent:** **** Dec. 26, 2006**

(54) **PORTABLE LIGHT SOURCE**

(75) **Inventor:** **Stephanie Wai Man Shiu**, Kowloon (HK)

(73) **Assignee:** **Gold Coral International Limited**, Kowloon (HK)

(**) **Term:** **14 Years**

(21) **Appl. No.:** **29/242,437**

(22) **Filed:** **Nov. 9, 2005**

(30) **Foreign Application Priority Data**

Jun. 6, 2005 (HK) 0501342

(51) **LOC (8) Cl.** **26-02**

(52) **U.S. Cl.** **D26/39**

(58) **Field of Classification Search** D26/37-50;
362/157, 158, 171-174, 183-208
See application file for complete search history.

(56) **References Cited**

U.S. PATENT DOCUMENTS

D445,931 S * 7/2001 Shiu D26/39
D447,587 S * 9/2001 Poon D26/39

D482,472 S * 11/2003 Shiu D26/39
D498,863 S * 11/2004 Poon D26/28
D503,817 S * 4/2005 Shiu D26/39
D508,140 S * 8/2005 Sharrah D26/39

* cited by examiner

Primary Examiner—Marcus A. Jackson

(74) *Attorney, Agent, or Firm*—Mitchell Silberberg & Knupp LLP

(57) **CLAIM**

The ornamental design for a portable light source, as shown and described.

DESCRIPTION

FIG. 1 is a front elevational view of a portable light source according to the present invention.

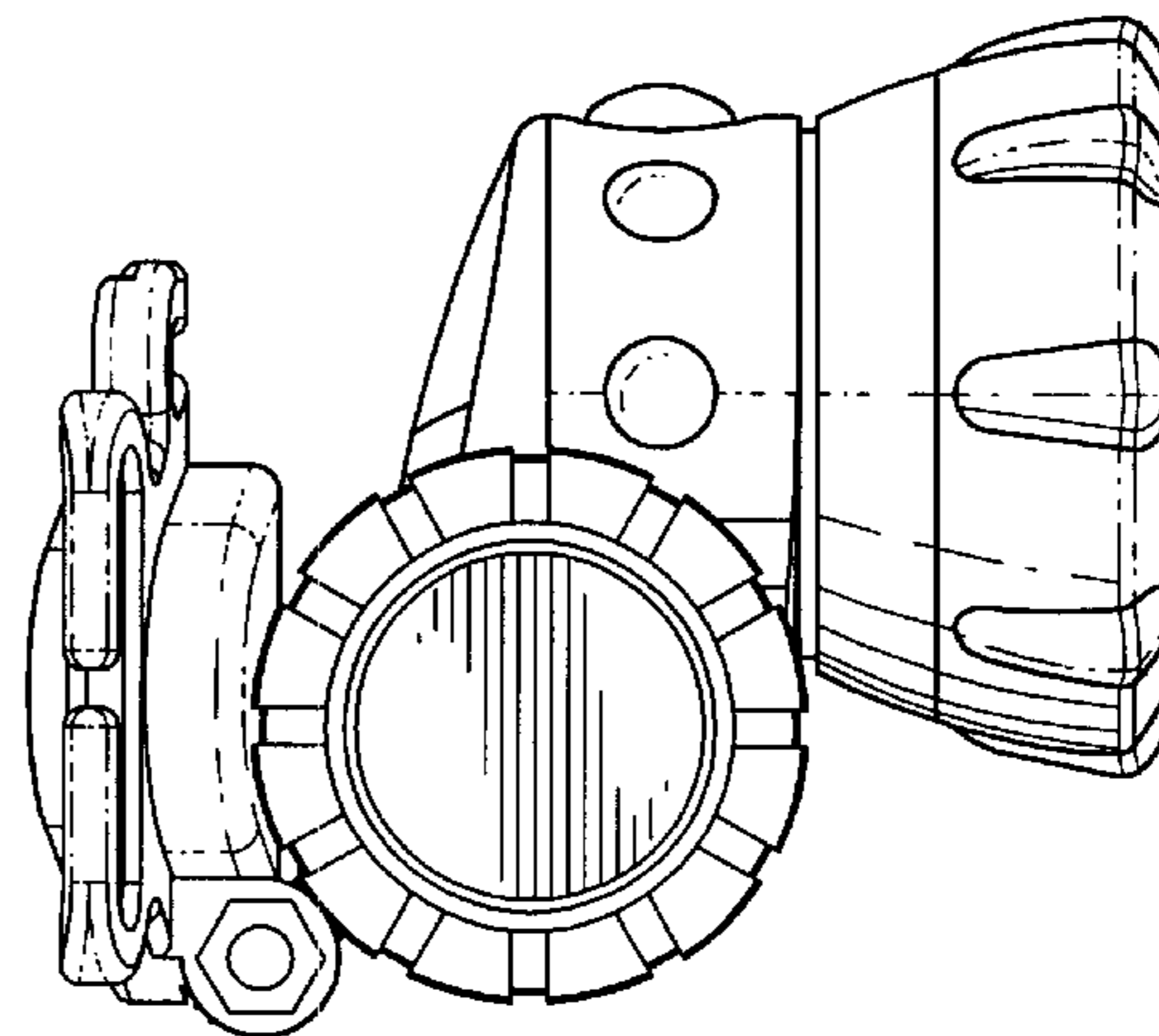
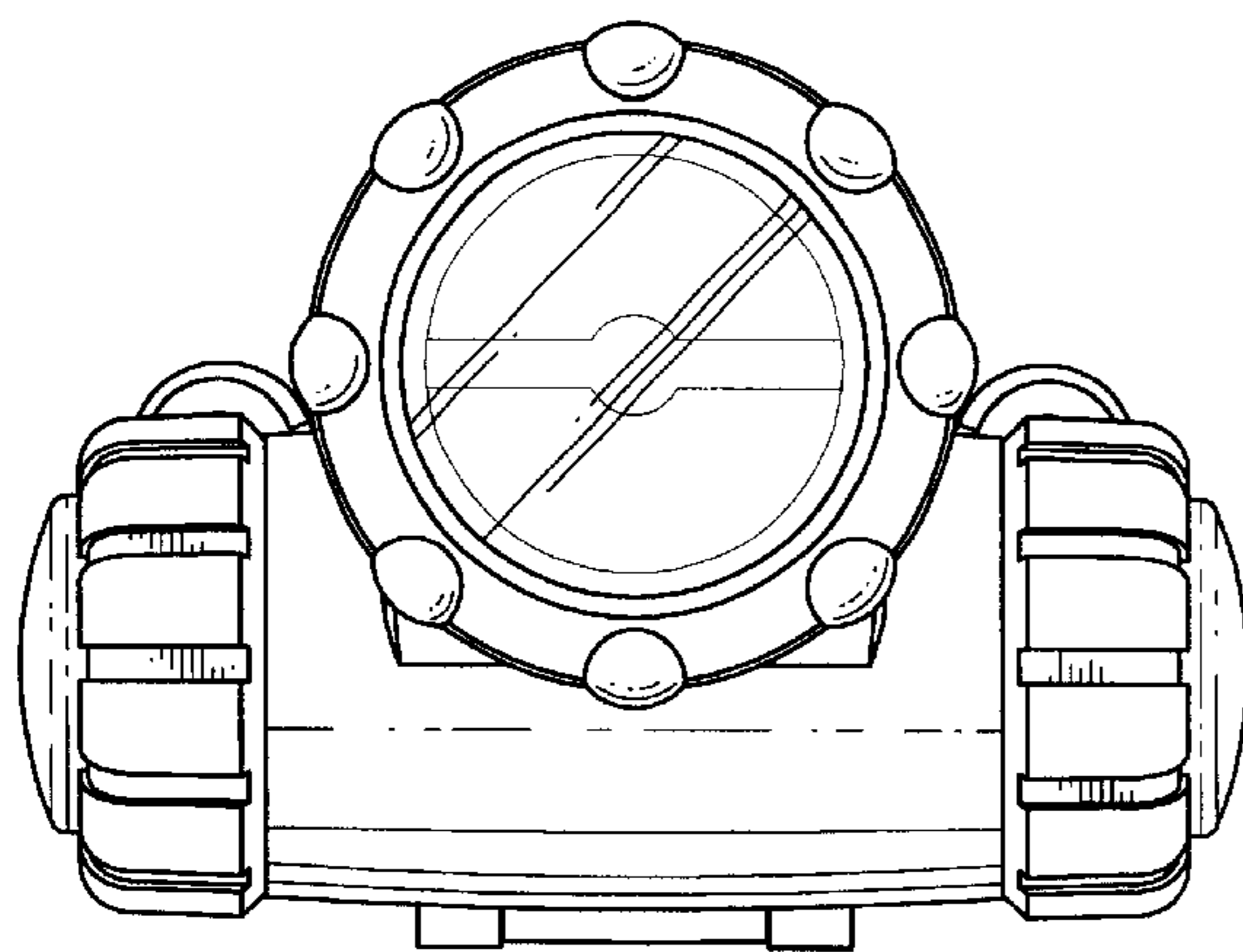
FIG. 2 is a rear elevational view of the portable light source.

FIG. 3 is a top plan view of the portable light source.

FIG. 4 is a bottom plan view of the portable light source; and,

FIG. 5 is a right side elevational view of the portable light source, with the left side elevational view being a mirror image of the left side elevational view.

1 Claim, 2 Drawing Sheets



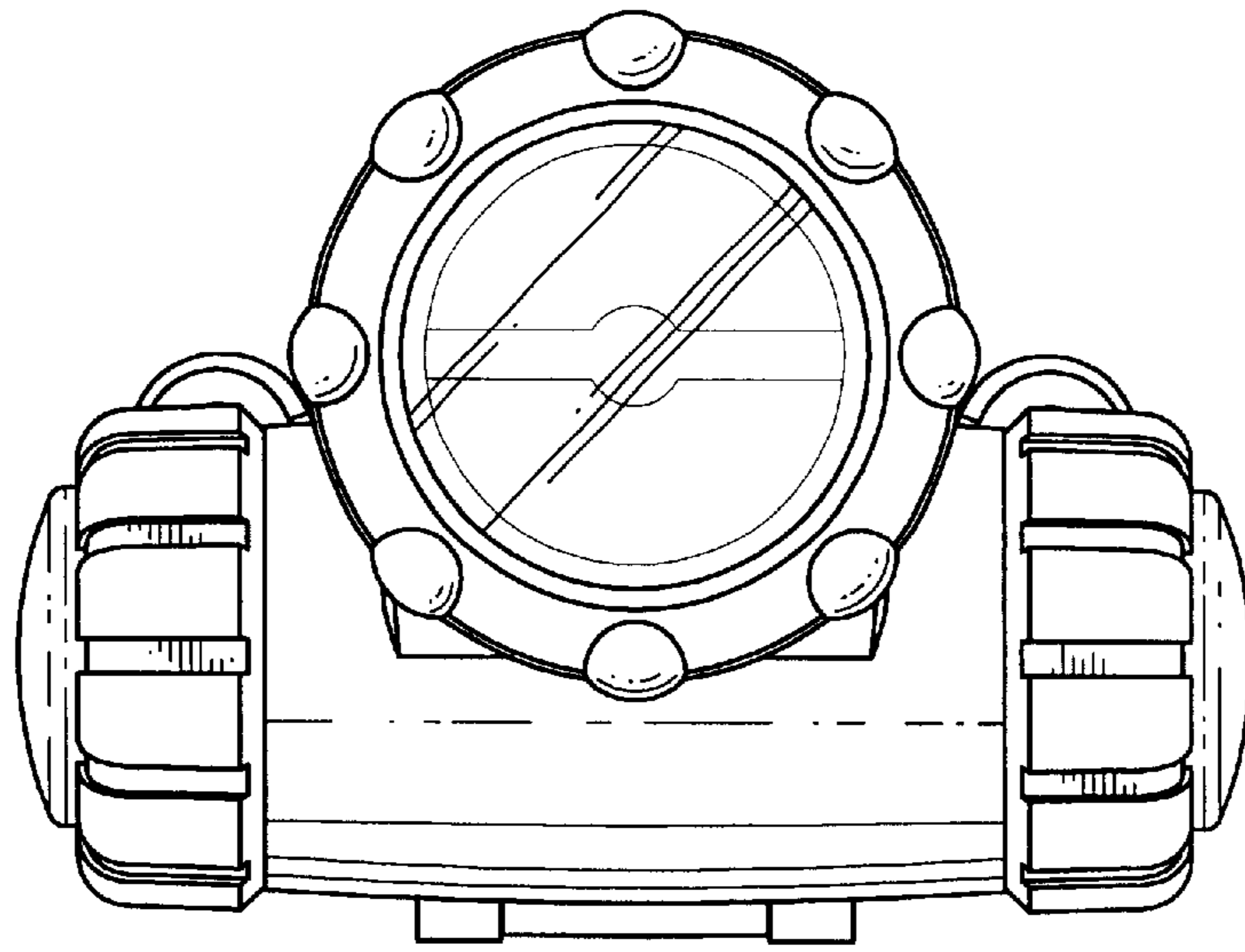


FIG. 1

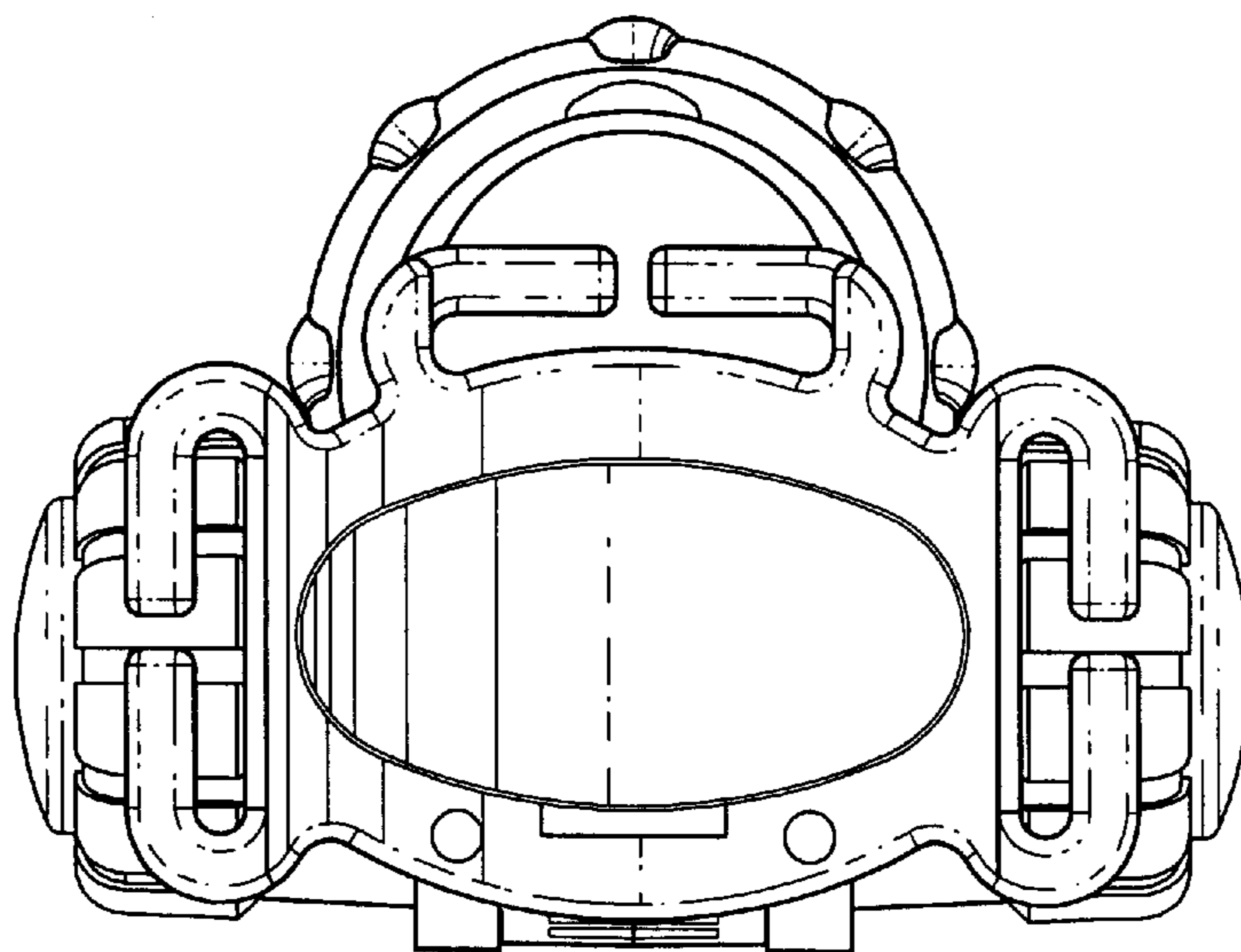


FIG. 2

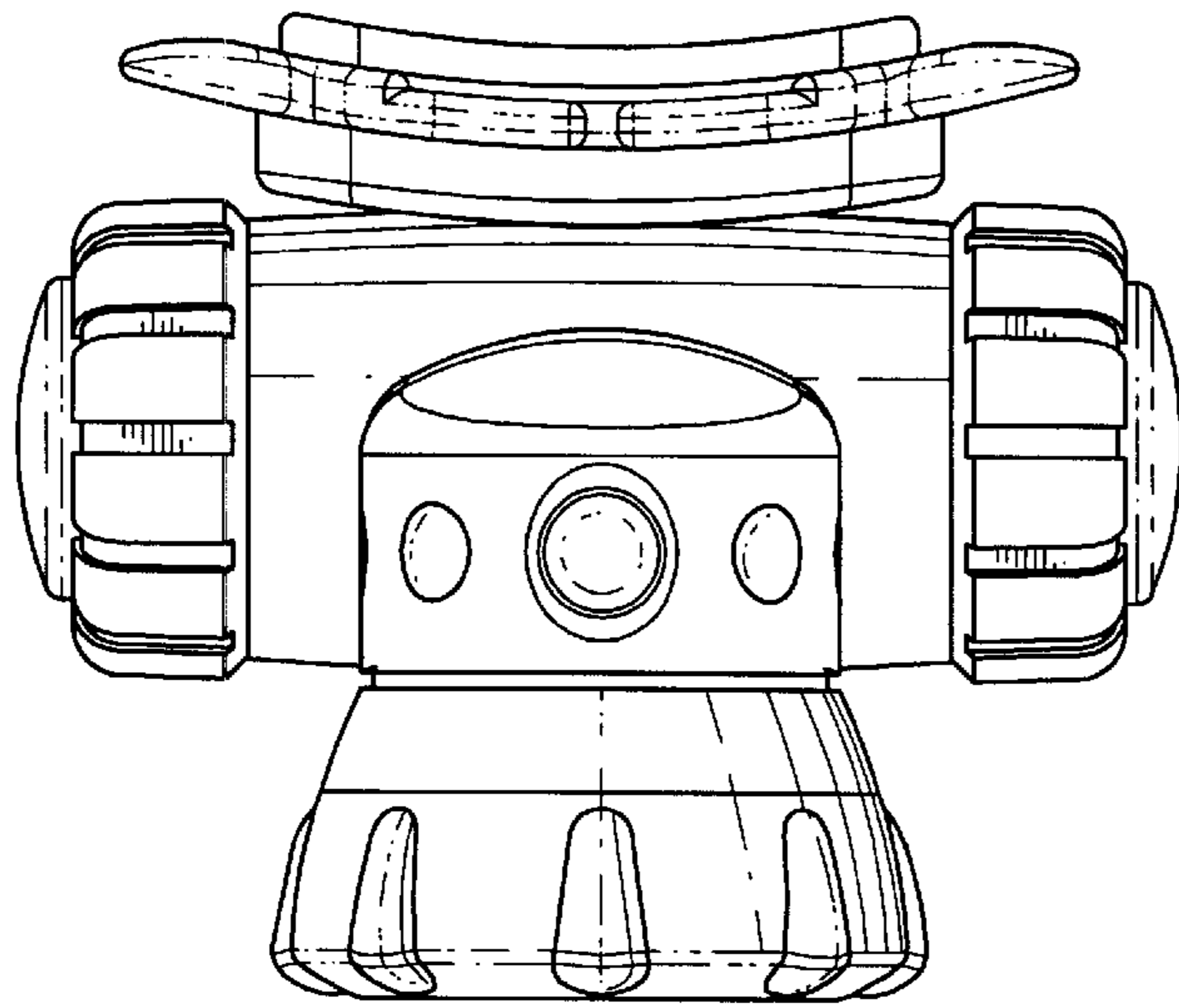


FIG. 3

FIG. 4

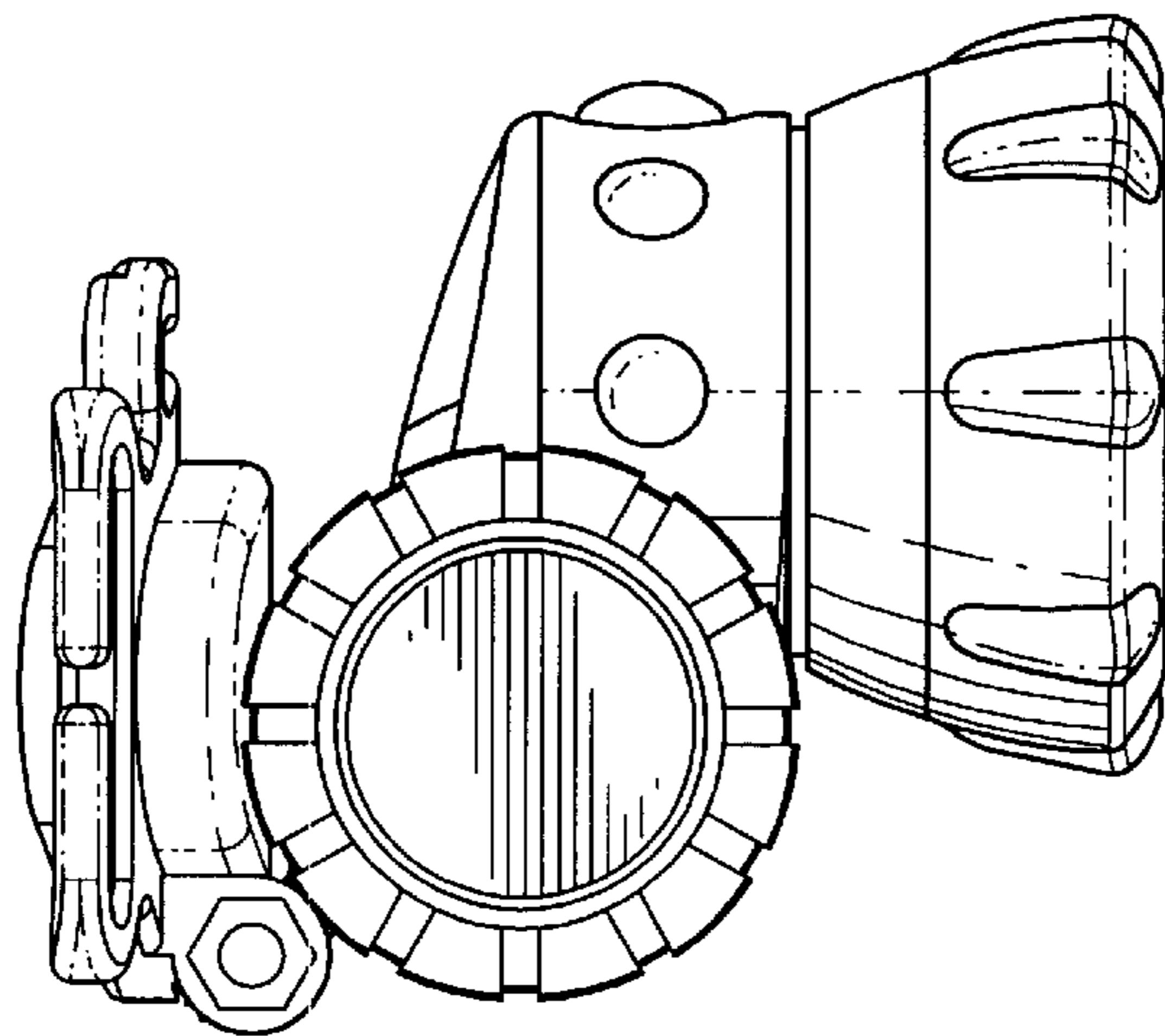
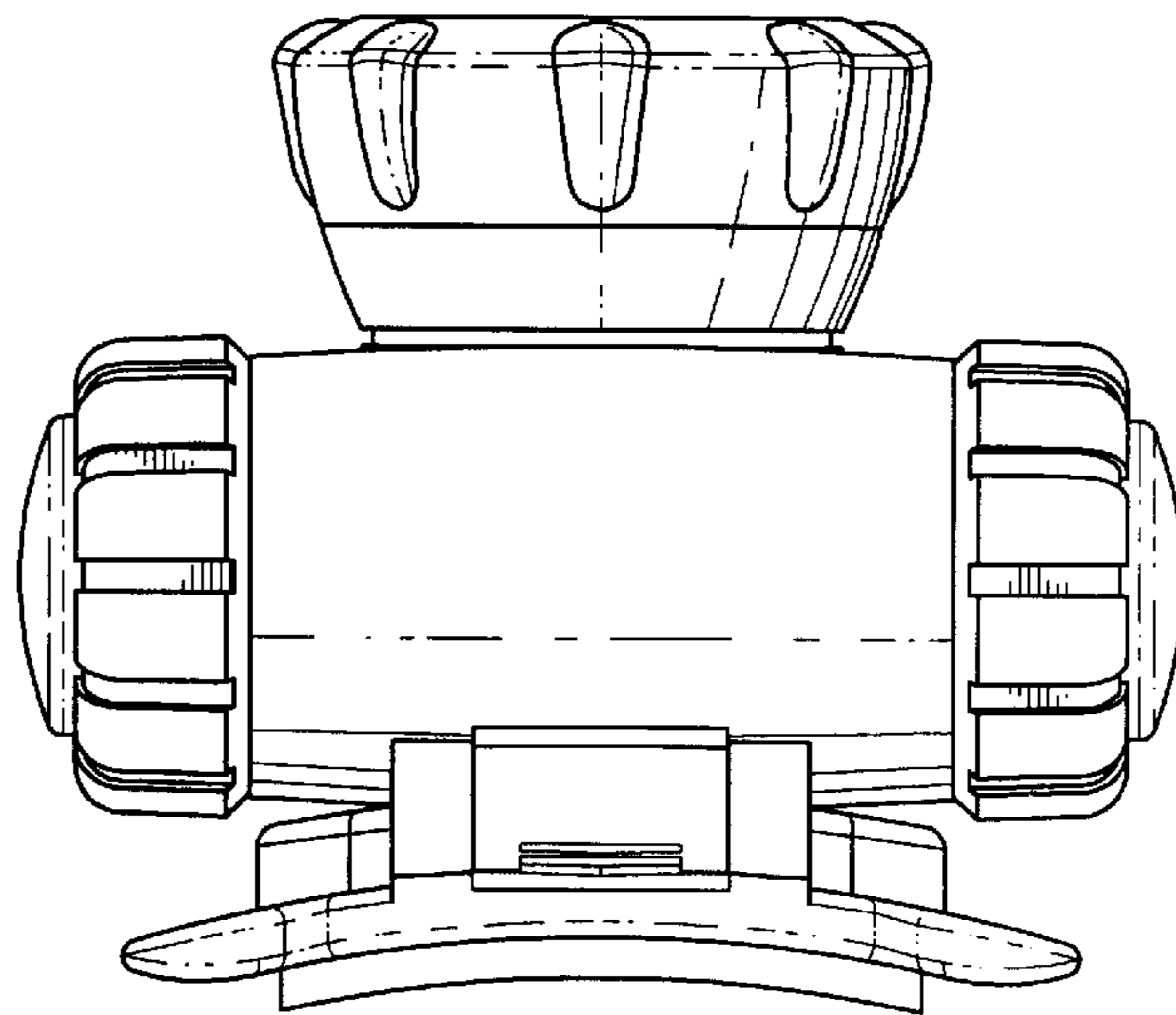


FIG. 5