



US00D534284S

(12) **United States Design Patent**  
**Lin**

(10) **Patent No.:** **US D534,284 S**

(45) **Date of Patent:** **\*\* Dec. 26, 2006**

(54) **EXTERIOR SURFACE CONFIGURATION OF A VEHICLE FRONT LIGHT**

D510,449 S \* 10/2005 Lin ..... D26/28

\* cited by examiner

(76) Inventor: **Yu-Chu Lin**, No. 477, Chung Shan N. Rd., Yung Kang City, Tainan Hsien (TW)

*Primary Examiner*—Marcus A. Jackson  
(74) *Attorney, Agent, or Firm*—Rosenberg, Klein & Lee

(\*\*) Term: **14 Years**

(57) **CLAIM**

I claim, the ornamental design for an exterior surface configuration of a vehicle front light, as shown and described.

(21) Appl. No.: **29/234,428**

(22) Filed: **Jul. 19, 2005**

**DESCRIPTION**

(51) **LOC (8) Cl.** ..... **26-06**

FIG. 1 is a perspective view from the front right of an exterior surface configuration of a vehicle front light showing my present design;

(52) **U.S. Cl.** ..... **D26/28**

FIG. 2 is a front view thereof;  
FIG. 3 is a right view thereof; and,  
FIG. 4 is a top view thereof.

(58) **Field of Classification Search** ..... D26/28-36;  
362/459-468, 475-478, 485-487  
See application file for complete search history.

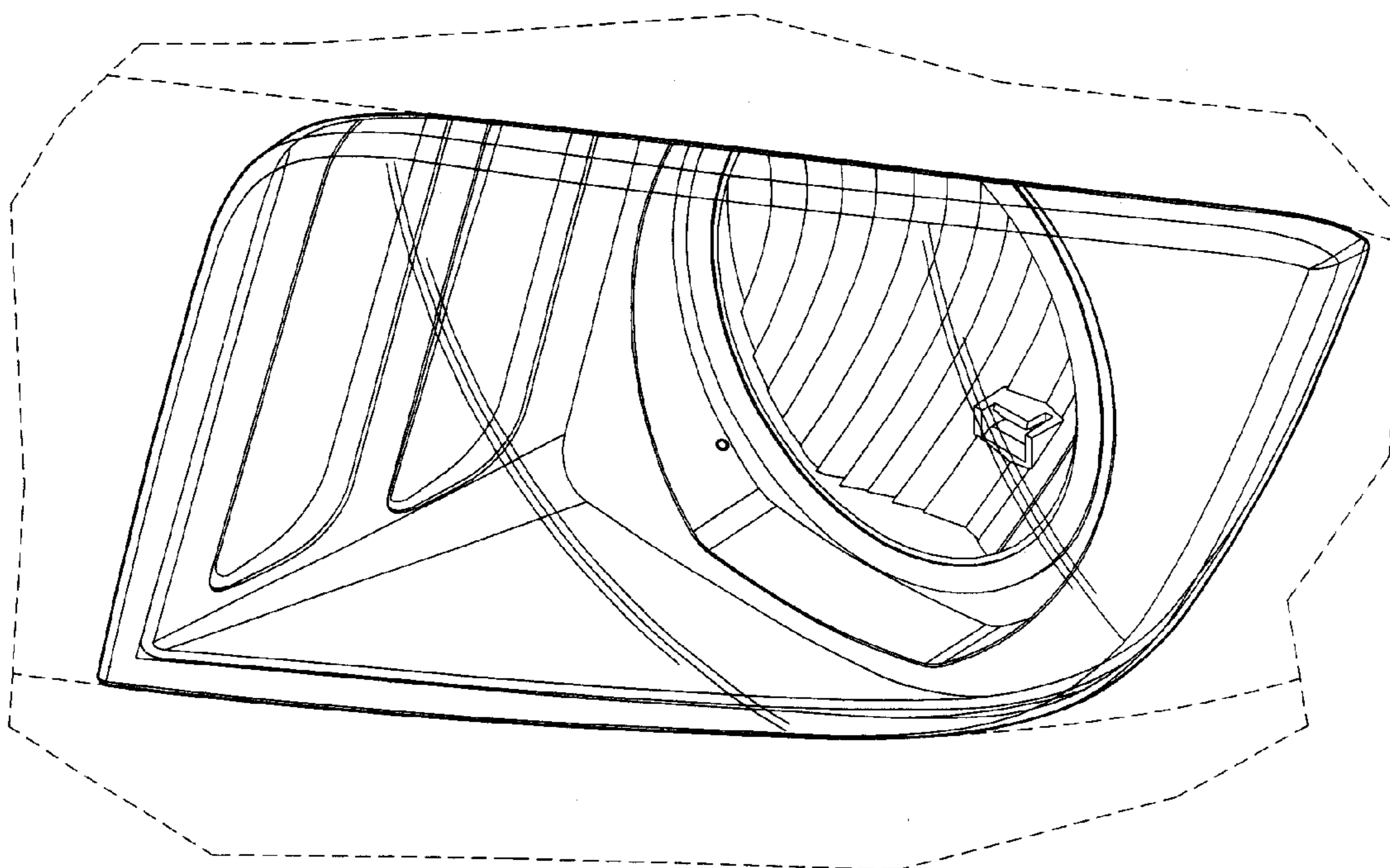
This design represents one embodiment of a design for an exterior surface configuration of a vehicle front light. The drawings and descriptions represent the right side embodiment. The design also contemplates a mirror symmetrical embodiment on the left side of the vehicle. The dash line included denotes environment and is not part of the claimed design.

(56) **References Cited**

**U.S. PATENT DOCUMENTS**

- D493,239 S \* 7/2004 Kneefel et al. .... D26/28
- D493,552 S \* 7/2004 Metros et al. .... D26/28
- D497,018 S \* 10/2004 Lin ..... D26/28
- D501,685 S \* 2/2005 Metros et al. .... D26/28

**1 Claim, 4 Drawing Sheets**



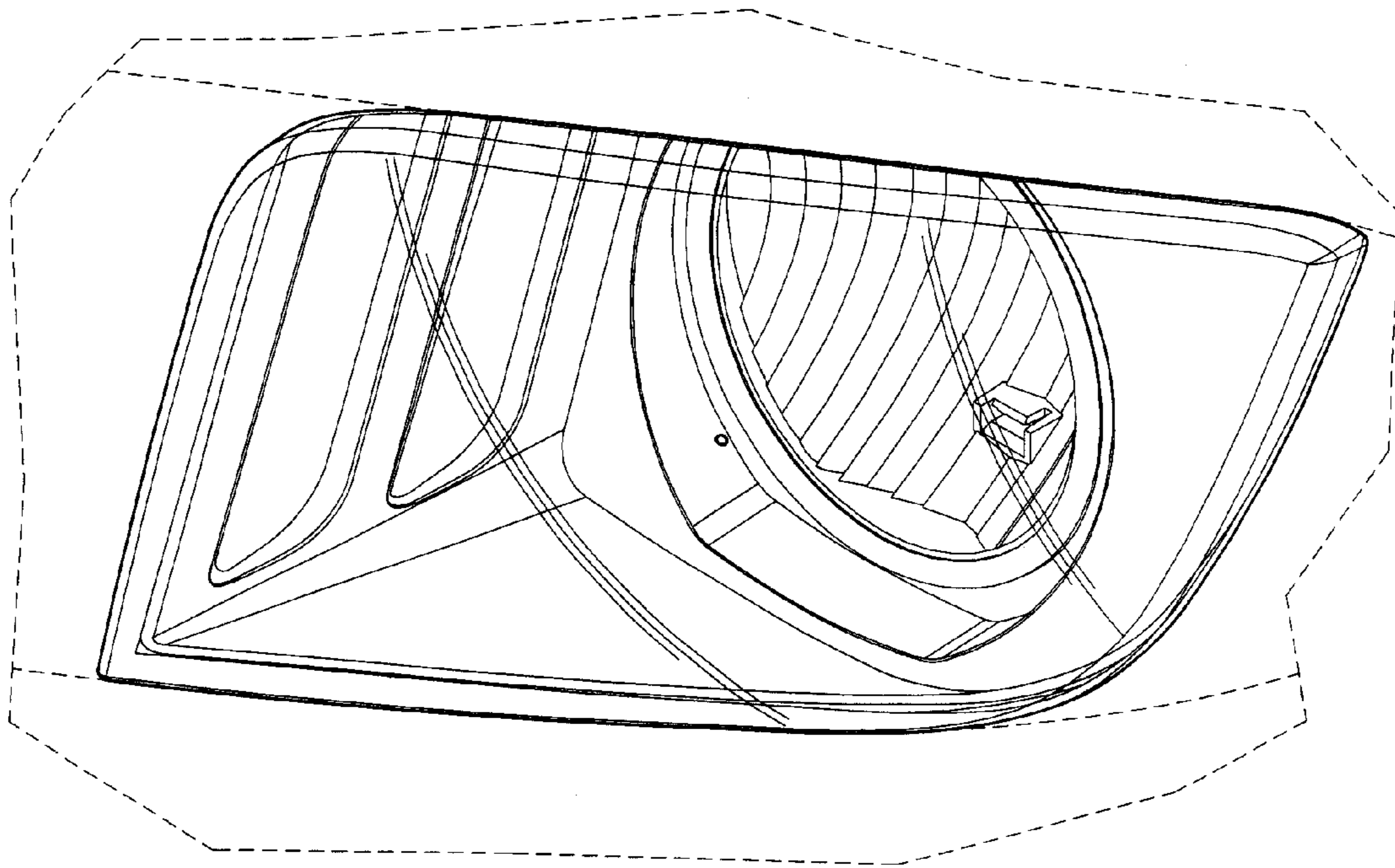


FIG. 1

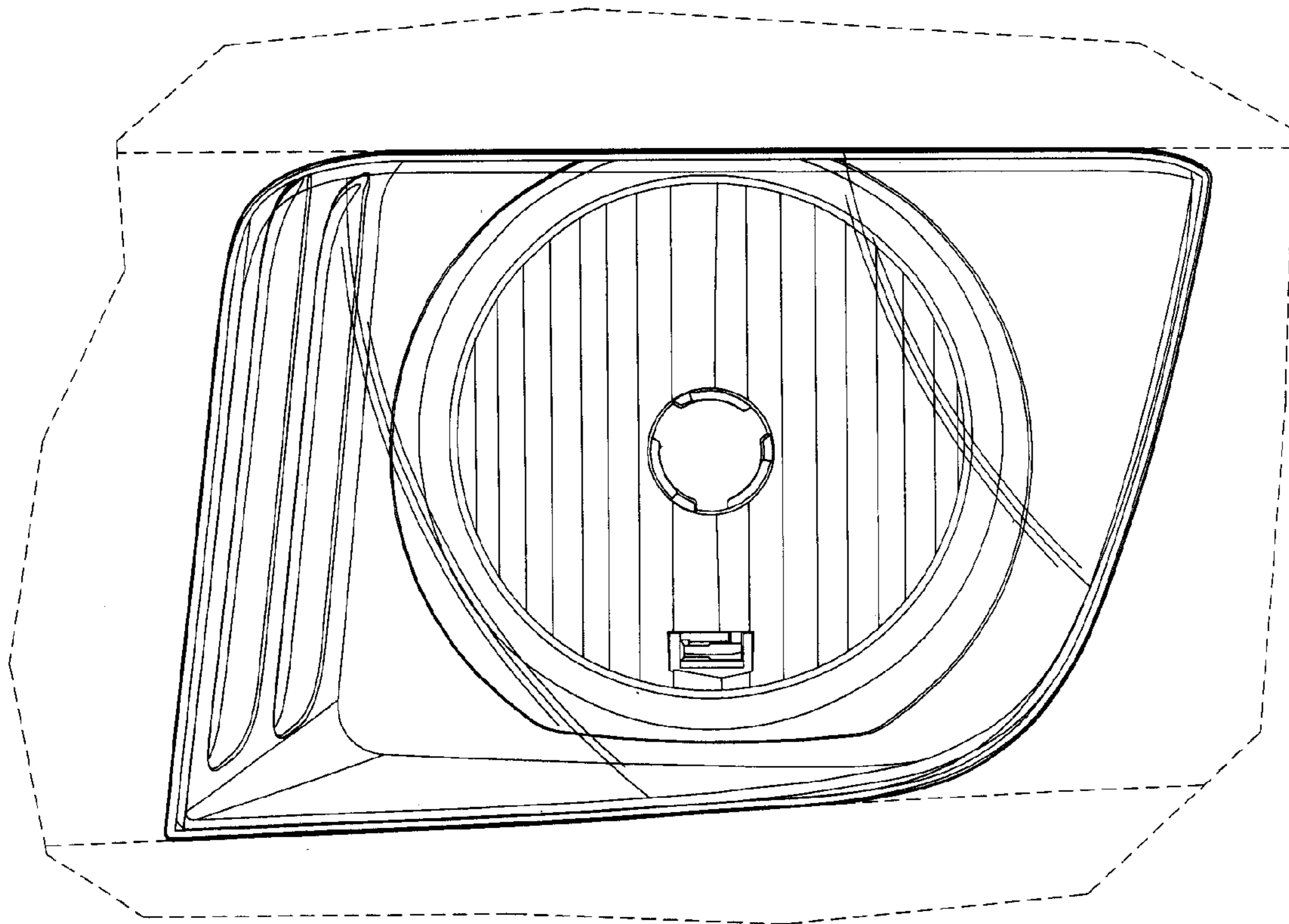


FIG. 2

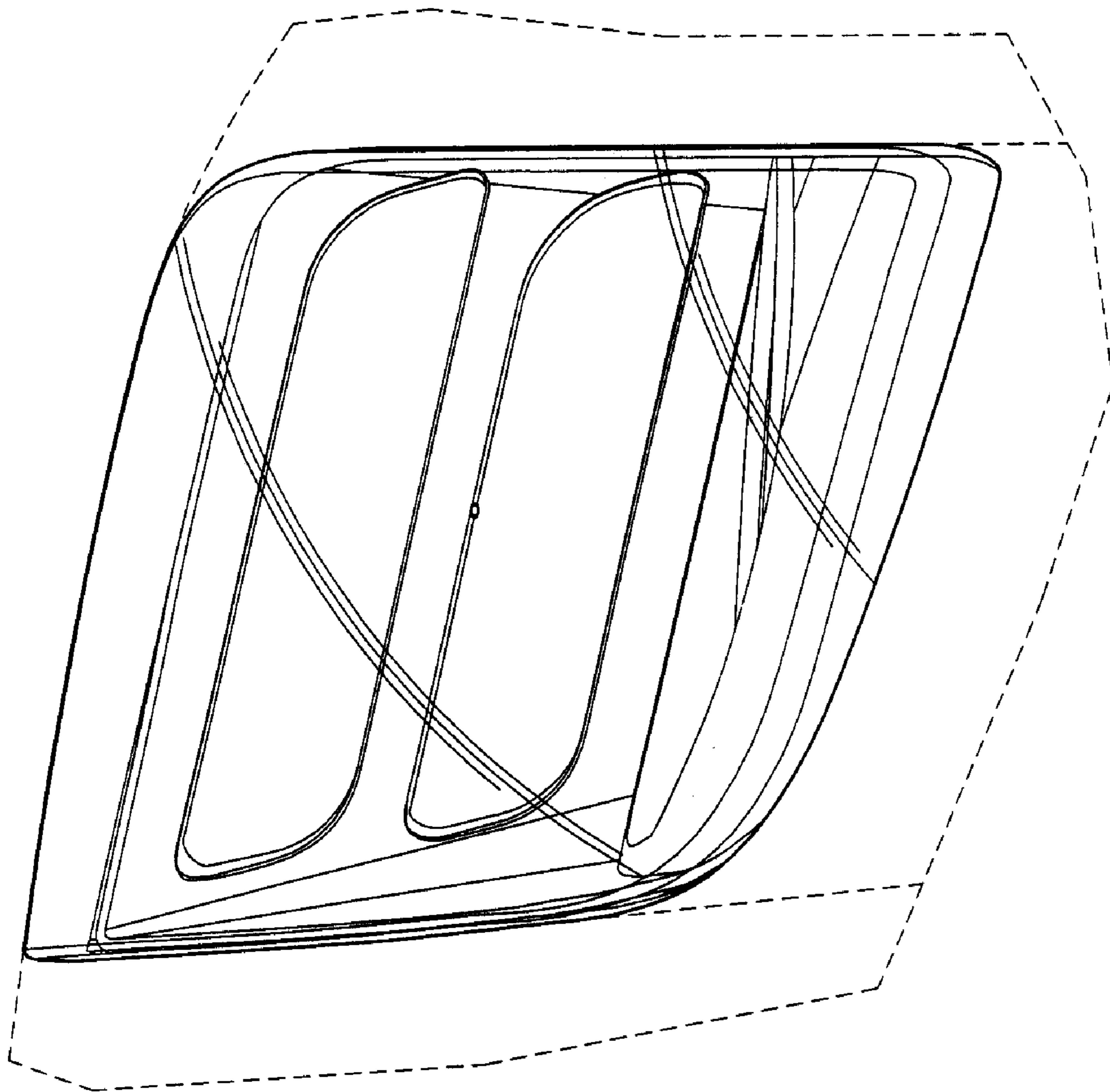


FIG. 3

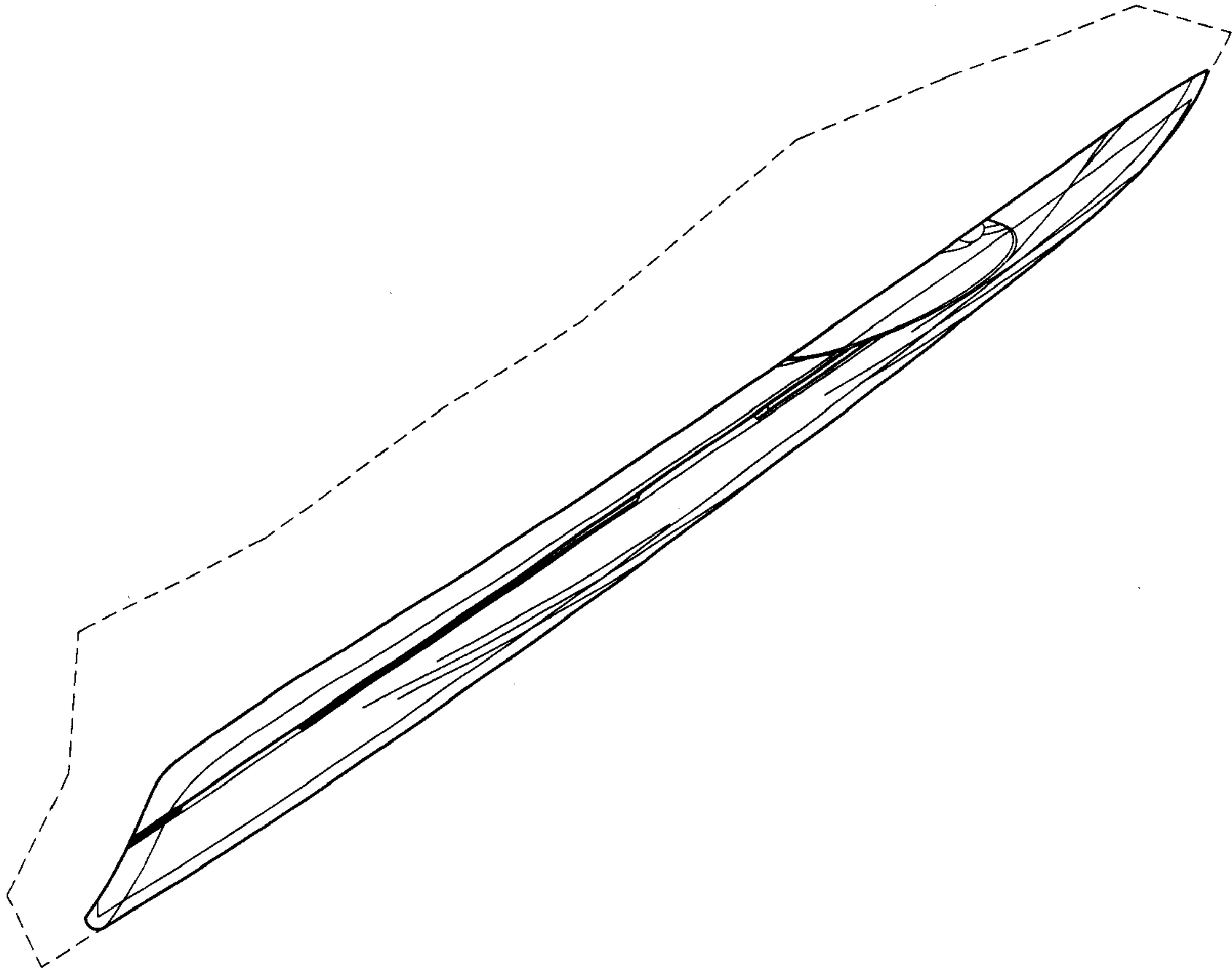


FIG. 4