

US00D534282S

(12) **United States Design Patent**
Adams et al.

(10) **Patent No.:** **US D534,282 S**
(45) **Date of Patent:** **** Dec. 26, 2006**

(54) **DECORATIVE CANDLE VOTIVE-PEBBLE**

D119,587 S 3/1940 Fuerst
2,234,903 A 3/1941 Muench
2,237,523 A 4/1941 Damon

(75) Inventors: **Mary Beth Adams**, Antioch, IL (US);
Romuald Marie, Paris (FR); **Elie Papiernik**, Paris (FR)

(Continued)

(73) Assignee: **S.C. Johnson & Son, Inc.**, Racine, WI (US)

FOREIGN PATENT DOCUMENTS

(**) Term: **14 Years**

DE 3403604 8/1985
DE 4203644 8/1993
DE 4241292 5/1994

(Continued)

(21) Appl. No.: **29/212,968**

OTHER PUBLICATIONS

(22) Filed: **Sep. 10, 2004**

(51) **LOC (8) Cl.** **26-04**

(52) **U.S. Cl.** **D26/7**

(58) **Field of Classification Search** D26/6,
D26/7; 431/288, 125

Pourette catalog 1998 p. 12.*
International Candle Housing catalog (1966-67); Bobeshes pp. 54-55.
Prices London Candlemakers; <http://www.prices-candle-s.co.uk/mainpage.htm>; 1 page, printed Apr. 21, 2005.

See application file for complete search history.

(Continued)

(56) **References Cited**

Primary Examiner—Robin V. Taylor

U.S. PATENT DOCUMENTS

(57) **CLAIM**

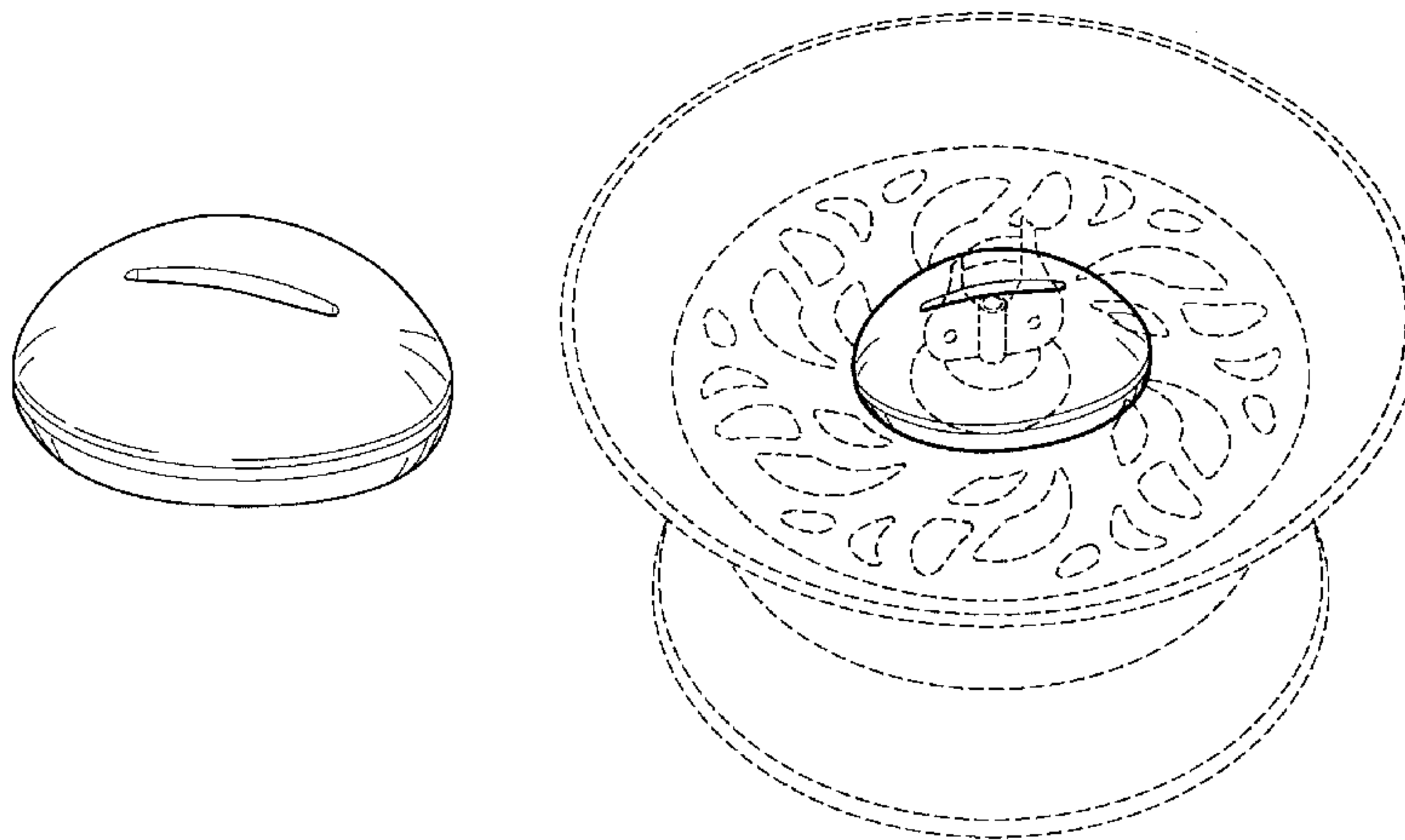
- 213,184 A 3/1879 Frick
- 405,786 A 6/1889 Ludde
- 407,051 A 7/1889 Baumer
- 408,973 A 8/1889 Heller
- 484,210 A 10/1892 Ludde
- 779,644 A 1/1905 Ferrier
- 837,240 A 11/1906 Mulkerins
- 1,044,256 A 11/1912 Satter
- D43,845 S 4/1913 Hirschfeld
- 1,195,657 A 8/1916 Chersky
- D49,902 S 11/1916 Laberee et al.
- 1,229,140 A 6/1917 Ritter
- 1,316,624 A 9/1919 Lucas
- 1,320,109 A 10/1919 Wooster
- 1,336,635 A 4/1920 Knapp
- 1,484,964 A 2/1924 Benneville
- D67,108 S 4/1925 Steeple
- 1,640,734 A 8/1927 Smith
- D75,463 S 6/1928 Bach
- D80,971 S 4/1930 Sakier
- D83,100 S 1/1931 Gisolfi
- D105,118 S 6/1937 Mackelfresh, Jr.
- D110,902 S 8/1938 Loesch

The ornamental design for a decorative candle votive-pebble, as shown and described.

DESCRIPTION

FIG. 1 is an isometric view of a decorative candle votive-pebble according to the present invention; FIG. 2 is a first side elevational view thereof; FIG. 3 is a second side elevational view thereof; FIG. 4 is a third side elevational view thereof; FIG. 5 is a fourth side elevational view thereof; FIG. 6 is a plan view thereof; FIG. 7 is a bottom plan view thereof; and, FIG. 8 is an isometric view illustrating in phantom apparatus that may hold the candle votive-pebble. FIG. 8 is provided for context only and forms no part of the claimed design. Also, structures shown in phantom form no part of the claimed design. The broken lines are for illustrative purposes only and form no part of the claimed design.

1 Claim, 3 Drawing Sheets



US D534,282 S

U.S. PATENT DOCUMENTS

2,246,346 A	6/1941	Wells		5,101,328 A	3/1992	Hai	
2,254,906 A	9/1941	Petrulis		D329,942 S	10/1992	Carr	
2,324,753 A	7/1943	Alexiade		5,174,645 A	12/1992	Chung	
2,354,343 A	7/1944	Webber et al.		5,193,994 A	3/1993	Schirneker	
2,393,767 A	1/1946	Gould		5,338,187 A	8/1994	Elharar	
2,462,440 A	2/1949	Tierney		5,363,590 A	11/1994	Lee	
2,494,995 A	1/1950	Gardner		D356,311 S	3/1995	Jaworski	
2,713,256 A	7/1955	Oesterle		5,425,633 A	6/1995	Cole	
2,758,460 A	8/1956	Ciano		D360,461 S	7/1995	Gillespie	
2,775,006 A	12/1956	Kranc		D355,266 S	2/1996	Caplette et al.	
2,809,512 A	10/1957	Hartnett		D369,221 S	4/1996	Linderman	
RE24,423 E	2/1958	Oesterle et al.		D369,871 S	5/1996	Lui	
3,121,316 A	2/1964	Wilson		D371,212 S	6/1996	Hardy et al.	D26/9
D206,946 S	2/1967	Knodt		D376,002 S	11/1996	Upson	
D208,064 S	7/1967	Quistgaard et al.	D48/2	D377,402 S	1/1997	Perkins	
D208,097 S	7/1967	Henn	D44/15	D383,555 S	9/1997	Hardy	
3,565,281 A	2/1971	Collie	220/69	D383,944 S	9/1997	Lillelund et al.	D7/558
D226,240 S	1/1973	Twedt	D73/1 B	5,690,484 A	11/1997	Leonard et al.	
3,730,674 A	5/1973	Gross		D390,676 S	2/1998	Hollington	D26/23
3,741,711 A	6/1973	Bryant		D391,119 S	2/1998	Rapaz	D7/601
3,749,904 A	7/1973	Graff		D393,910 S	4/1998	Chambers et al.	
3,762,857 A	10/1973	Andeweg		D394,513 S	5/1998	Davis	D26/6
D229,852 S	1/1974	Lindblad		5,807,096 A	9/1998	Shin et al.	
D236,064 S	7/1975	Balbo	D7/7	D399,298 S	10/1998	Whitehead	
3,898,039 A	8/1975	Lin		5,840,246 A	11/1998	Hammons et al.	
3,910,753 A	10/1975	Lee		5,842,850 A	12/1998	Pappas	
3,932,113 A	1/1976	Thrush	431/297	5,843,194 A	12/1998	Spaulding	
3,994,502 A	11/1976	Lombardi		5,871,553 A	2/1999	Spaulding	
4,013,397 A	3/1977	Neugart		D410,756 S	6/1999	Kleinberg	
4,019,856 A	4/1977	Lacroix		5,921,767 A	7/1999	Song	
D247,635 S	3/1978	Maxwell	D48/2	5,927,959 A	7/1999	Johnson	431/125
D248,499 S	7/1978	Ulrich et al.		5,951,278 A	9/1999	Young et al.	
D248,500 S	7/1978	Ulrich et al.		5,955,034 A	9/1999	Zaubrecher et al.	
4,102,634 A	7/1978	Crisp		5,955,958 A	9/1999	Lu	
D248,787 S	8/1978	Ulrich et al.		D415,295 S	10/1999	Kochis et al.	
D248,788 S	8/1978	Ulrich et al.		5,961,967 A	10/1999	Powell et al.	
D248,789 S	8/1978	Ulrich et al.		D416,099 S	11/1999	Hardy	
D253,432 S	11/1979	Van Koert	D48/2	D416,341 S	11/1999	Allen	
D253,732 S	12/1979	Van Koert	D48/2	5,980,241 A	11/1999	Schirneker	
4,185,953 A	1/1980	Schirneker		6,019,804 A	1/2000	Requejo et al.	
4,206,500 A	6/1980	Neil		6,033,209 A	3/2000	Shin et al.	
4,206,560 A	6/1980	Sefried, II		D422,180 S	4/2000	Sundberg	D7/545
4,224,017 A	9/1980	Kayne		6,050,812 A	4/2000	Chuang	
D257,641 S	12/1980	Taylor		D425,220 S	5/2000	Klett et al.	D26/7
D264,385 S	5/1982	Meyer		D425,636 S	5/2000	Freeman	D26/6
4,332,548 A	6/1982	Linton et al.		6,059,564 A	5/2000	Morris	
4,381,914 A	5/1983	Ferguson		6,062,847 A	5/2000	Pappas	
4,427,366 A	1/1984	Moore		6,068,472 A	5/2000	Freeman et al.	
4,477,249 A	10/1984	Ruzek et al.		D426,902 S	6/2000	Hardy et al.	
4,524,408 A	6/1985	Minera		6,074,199 A	6/2000	Song	
D280,443 S	9/1985	Boss		6,079,975 A	6/2000	Conover	
4,551,794 A	11/1985	Sandell		6,099,877 A	8/2000	Schuppan	
4,557,687 A	12/1985	Schirneker		D430,943 S	9/2000	Zutler	D26/9
4,568,269 A	2/1986	Lin		D433,168 S	10/2000	Cousins	D26/9
4,568,270 A	2/1986	Marcus et al.		6,129,771 A	10/2000	Ficke et al.	
4,588,618 A	5/1986	Wolfe		6,152,728 A	11/2000	Griffel	
D285,396 S	9/1986	Odate		D435,100 S	12/2000	Pesu et al.	
D292,525 S	10/1987	Van Deelen	D26/85	D436,415 S	1/2001	Hardy	
4,755,135 A	7/1988	Kwok		D436,416 S	1/2001	Iu	
4,781,895 A	11/1988	Spector		6,214,063 B1	4/2001	DeStefano et al.	
4,804,323 A	2/1989	Kim		D443,080 S	5/2001	Klett et al.	
D312,507 S	11/1990	Thoreson		D443,081 S	5/2001	Klett et al.	
4,983,119 A	1/1991	Lin		D443,082 S	5/2001	Klett et al.	
5,015,175 A	5/1991	Lee		D443,101 S	5/2001	Williamson	D26/114
D320,266 S	9/1991	Kunze		6,231,336 B1	5/2001	Chen	431/291
5,069,617 A	12/1991	Lin		6,241,362 B1	6/2001	Morrison	
5,078,591 A	1/1992	Despres		6,241,513 B1	6/2001	Jeneral	431/291
5,078,945 A	1/1992	Byron		D445,030 S	7/2001	Croft et al.	D9/502
5,086,380 A	2/1992	Hedner, Jr.		D445,337 S	7/2001	Croft et al.	D9/504
D325,077 S	3/1992	Kearnes		6,267,584 B1	7/2001	Zou	
				6,270,339 B1	8/2001	Zou	

6,273,710 B1	8/2001	Zou		D508,291 S	8/2005	Janssen
6,276,925 B1	8/2001	Varga		6,923,639 B1	8/2005	Pesu et al.
D447,418 S	9/2001	Bezek et al.	D9/504	2002/0066789 A1	6/2002	Yen
6,290,489 B1	9/2001	Seidler		2002/0068009 A1	6/2002	Laudamiel-Pellet
D448,867 S	10/2001	Manocheo et al.		2002/0068010 A1	6/2002	Laudamiel-Pellet
6,296,477 B1	10/2001	Lin		2002/0093834 A1	7/2002	Yu
6,299,435 B1	10/2001	Freeman et al.		2002/0102187 A1	8/2002	Bellenger et al.
D450,395 S	11/2001	Bellenger	D26/11	2002/0119413 A1	8/2002	Cheng
D450,865 S	11/2001	Bellenger et al.		2002/0127507 A1	9/2002	Long
6,361,311 B1	3/2002	Smith		2003/0064336 A1	4/2003	Welch et al. 431/288
6,631,311 B1	3/2002	Smith		2003/0134246 A1	7/2003	Gray et al.
D455,486 S	4/2002	Makino	D23/366	2003/0162142 A1	8/2003	Bennetts et al.
D455,846 S *	4/2002	Araujo	D26/6	2003/0175148 A1	9/2003	Kvietok
D456,536 S	4/2002	Araujo		2004/0007787 A1	1/2004	Kvietok
D456,539 S	4/2002	Leeds	D26/6	2004/0009103 A1	1/2004	Westring
6,371,756 B1	4/2002	Toohey		2004/0009447 A1	1/2004	Decker
D459,498 S	6/2002	Araujo	D26/6	2004/0016818 A1	1/2004	Murdell
6,398,544 B1	6/2002	Wright et al.		2004/0028551 A1	2/2004	Kvietok
D474,854 S	7/2002	Lam		2004/0029061 A1	2/2004	Dibnah et al.
D461,916 S	8/2002	Araujo	D26/6	2004/0033171 A1	2/2004	Kvietok
D462,132 S	8/2002	Papai	D26/23	2004/0033463 A1	2/2004	Pesu et al. 431/289
6,428,311 B1	8/2002	Bernardo		2004/0128879 A1	7/2004	Lu
6,439,471 B1	8/2002	Ehrlich et al.		2004/0160764 A1	8/2004	Lee
D462,793 S	9/2002	Freeman et al.	D26/9	2004/0223871 A1	11/2004	Woo
6,450,802 B1	9/2002	Steck		2004/0223943 A1	11/2004	Woo
6,454,561 B1	9/2002	Colthar et al.		2004/0229180 A1	11/2004	Furner
D464,745 S	10/2002	Mangini et al.	D26/9	2004/0241053 A1	12/2004	Thompson
6,468,071 B1	10/2002	Zoy		2004/0265164 A1	12/2004	Woo
D465,587 S	11/2002	Papai	D26/23	2005/0019238 A1	1/2005	Hart et al.
D466,236 S	11/2002	Papai	D26/23	2005/0037306 A1	2/2005	Nakatsu
6,488,494 B1	12/2002	Lee		2005/0079463 A1	4/2005	Yu
6,491,516 B1	12/2002	Tal et al.				
D469,550 S	1/2003	Moeller				
D469,893 S	2/2003	Shen				
6,520,770 B1	2/2003	Zou				
D471,299 S	3/2003	Papai	D26/23			
6,531,063 B1	3/2003	Rose				
6,537,063 B1	3/2003	Pecoskie				
6,543,268 B1	4/2003	Wright et al.				
6,544,302 B1	4/2003	Berger et al.				
6,551,365 B1	4/2003	Berger et al.				
6,554,448 B1	4/2003	Carpenter et al.				
6,568,934 B1	5/2003	Butler				
6,575,613 B1	6/2003	Brown et al.				
6,579,089 B1	6/2003	Iu				
6,592,637 B1	7/2003	McGee et al.				
6,595,771 B1	7/2003	Chu				
D478,180 S	8/2003	Boss				
6,616,308 B1	9/2003	Jensen et al.				
D481,143 S	10/2003	McMinn				
D481,473 S	10/2003	Walsh				
6,630,110 B1	10/2003	Urfig				
6,648,631 B1	11/2003	Wright et al.				
D485,624 S	1/2004	Kitamura	D26/9			
6,688,880 B1	2/2004	Pangle	431/289			
6,695,611 B1	2/2004	Lee	431/293			
D487,687 S	3/2004	Shields, Jr.	D8/71			
6,730,137 B1	5/2004	Pesu et al.				
6,733,279 B1	5/2004	Thigpen et al.				
D491,288 S	6/2004	Young	D26/9			
D493,548 S *	7/2004	Goldman	D26/6			
D495,437 S	8/2004	Barbera				
D495,438 S	8/2004	Barbera et al.				
6,709,382 B1	8/2004	Furner et al.				
6,769,905 B1	8/2004	Gray et al.				
6,780,382 B1	8/2004	Furner				
6,802,707 B1	8/2004	Furner				
D496,474 S	9/2004	Murdick				
D497,680 S	10/2004	McMinn				
6,808,388 B1	10/2004	Lee				
6,849,240 B1	2/2005	Nakatsu et al.				

FOREIGN PATENT DOCUMENTS

DE	4314122	11/1994
DE	44 25 179	1/1996
DE	195 48 958	5/1996
DE	195 08 962	9/1996
EP	0146247	6/1985
EP	1054054	11/2000
FR	2628825	3/1988
GB	1514338	6/1978
GB	2 239 942	7/1991
JP	362220594	9/1987
JP	406212189	8/1994
JP	408185710	7/1996
JP	2003-213292	7/2003
WO	WO 89/06141	7/1989
WO	WO 95/12783	5/1995
WO	WO 96/02794	2/1996
WO	WO 99/17055	4/1999
WO	WO 99/45322	9/1999
WO	WO 04/008026	1/2004
WO	WO 04/083716	9/2004
WO	WO 2004/083349	9/2004
WO	WO 04/090417	10/2004

OTHER PUBLICATIONS

Prices London Candlemakers; <http://www.prices-candle-s.co.uk/catalogue/Accessories/Accessories%20Page%2008.jpg>; 1 page; printed Apr. 21, 2005.

Two (2) photos of Price's "Coral Bay Fragranced Bathroom" product taken Jan. 1, 1999.

Stephanie Reiser Wrought Iron - "Welcome to Courting-Candle.com!" <http://www.courtingcandle.com>; 1 page printed on May 12, 2004.

* cited by examiner

FIG. 1

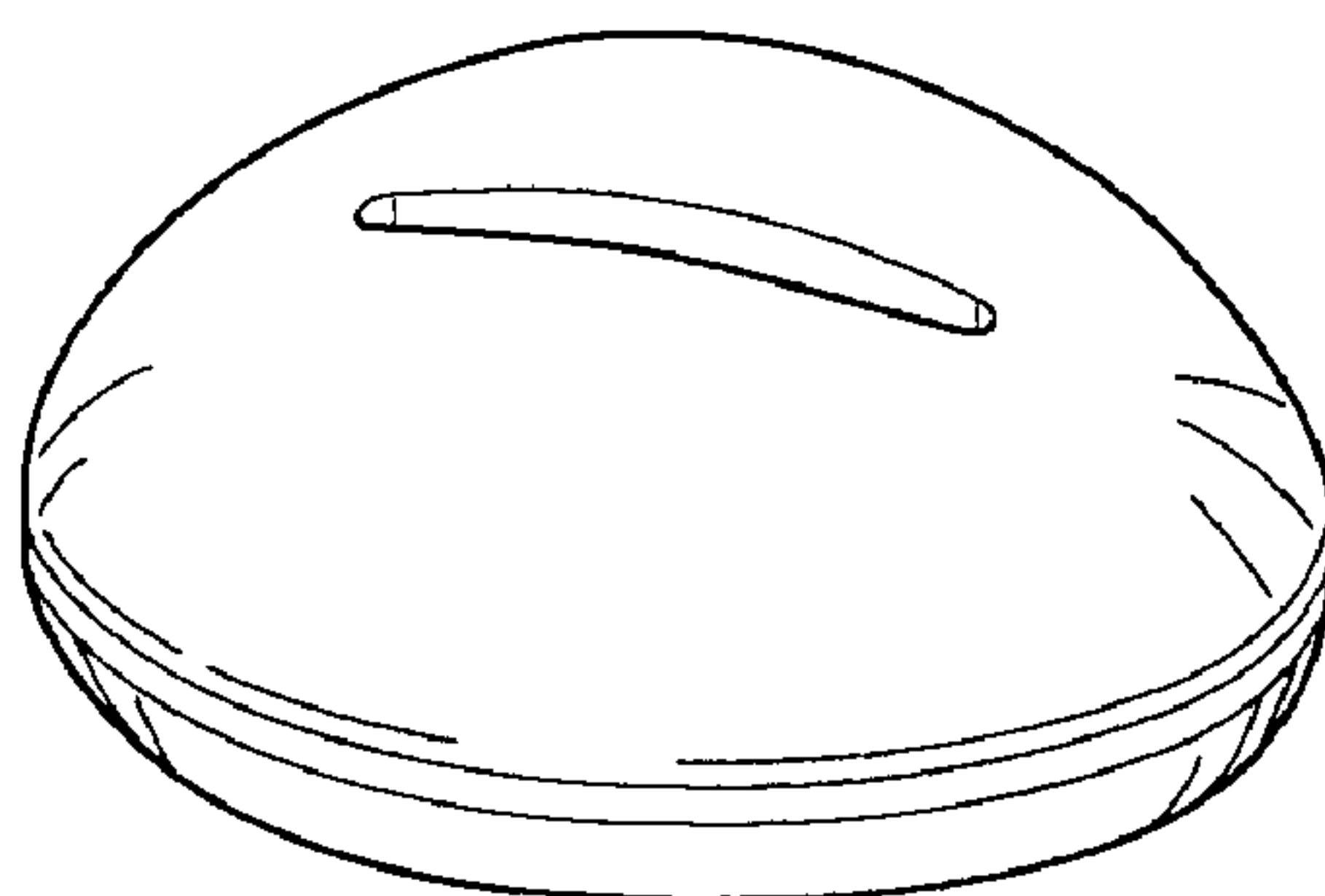


FIG. 2

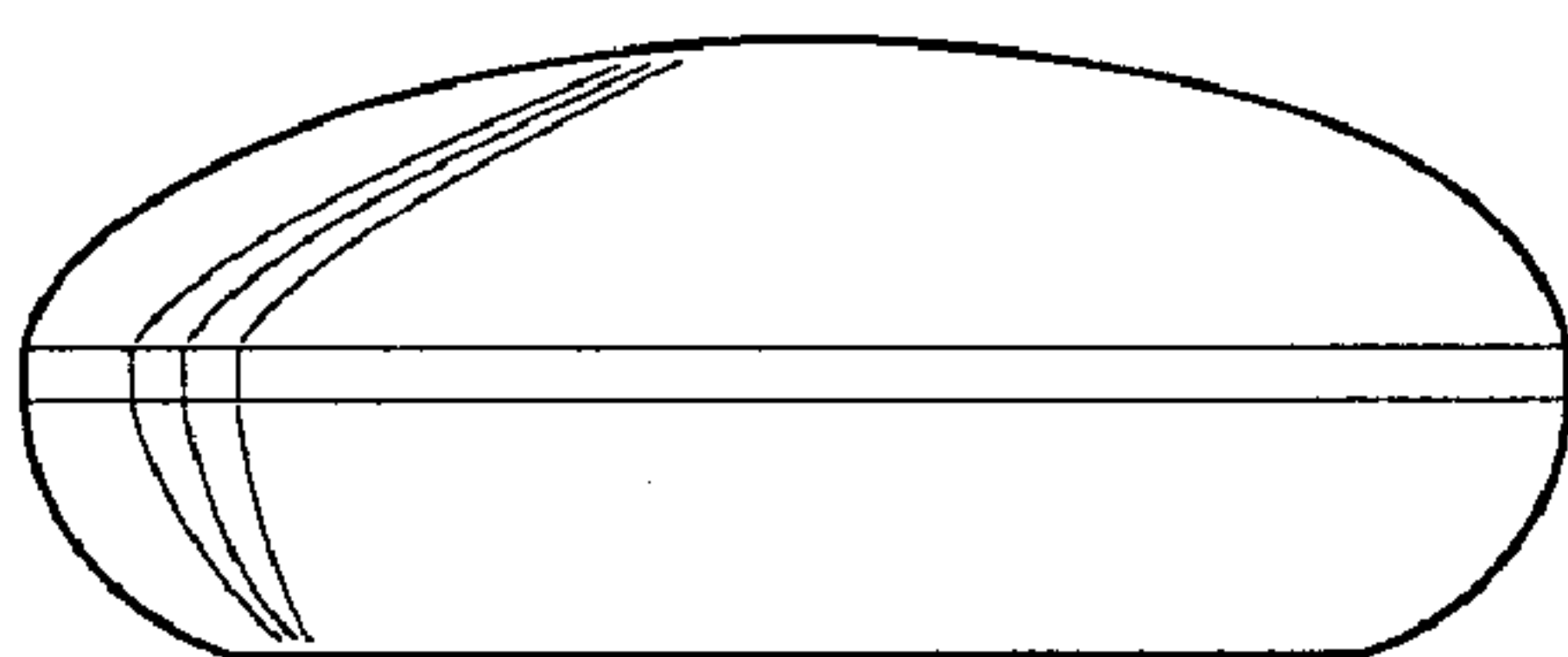


FIG. 3

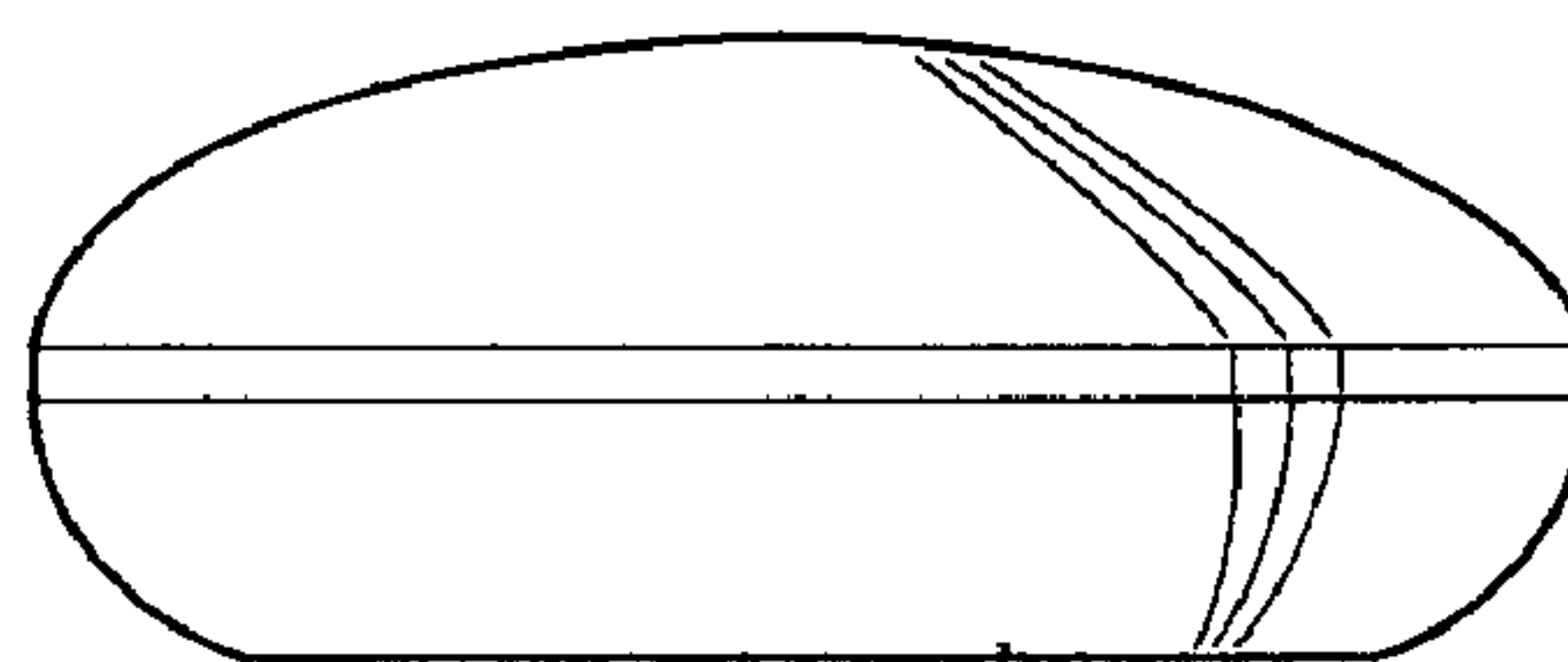


FIG. 4

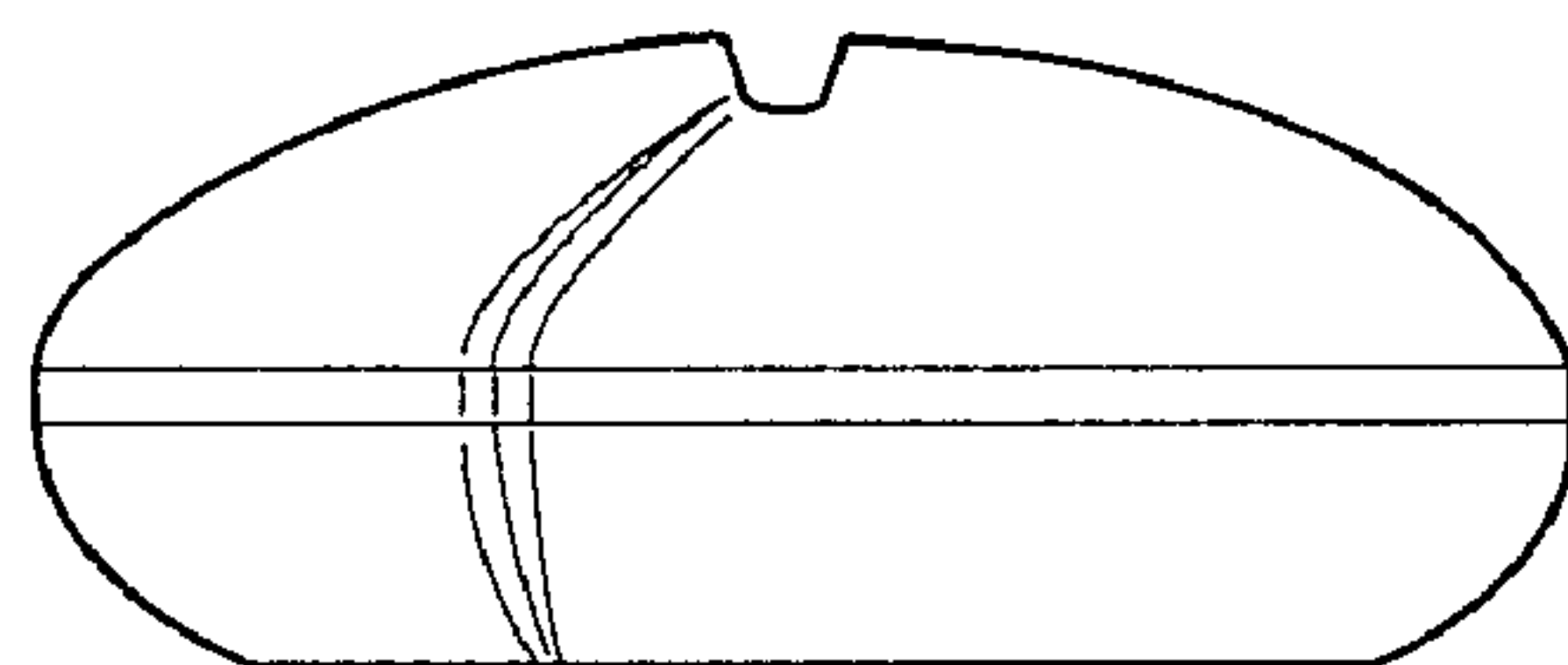


FIG. 5

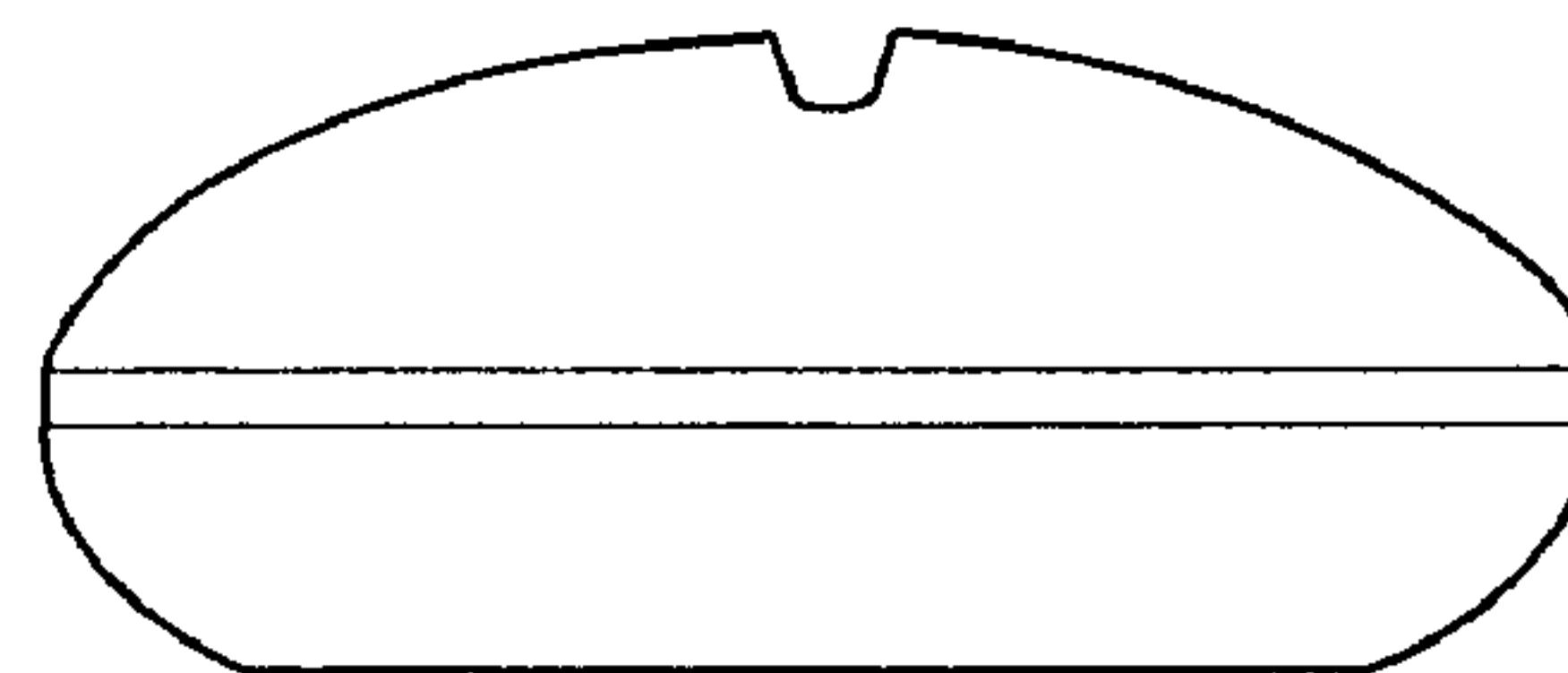


FIG. 6

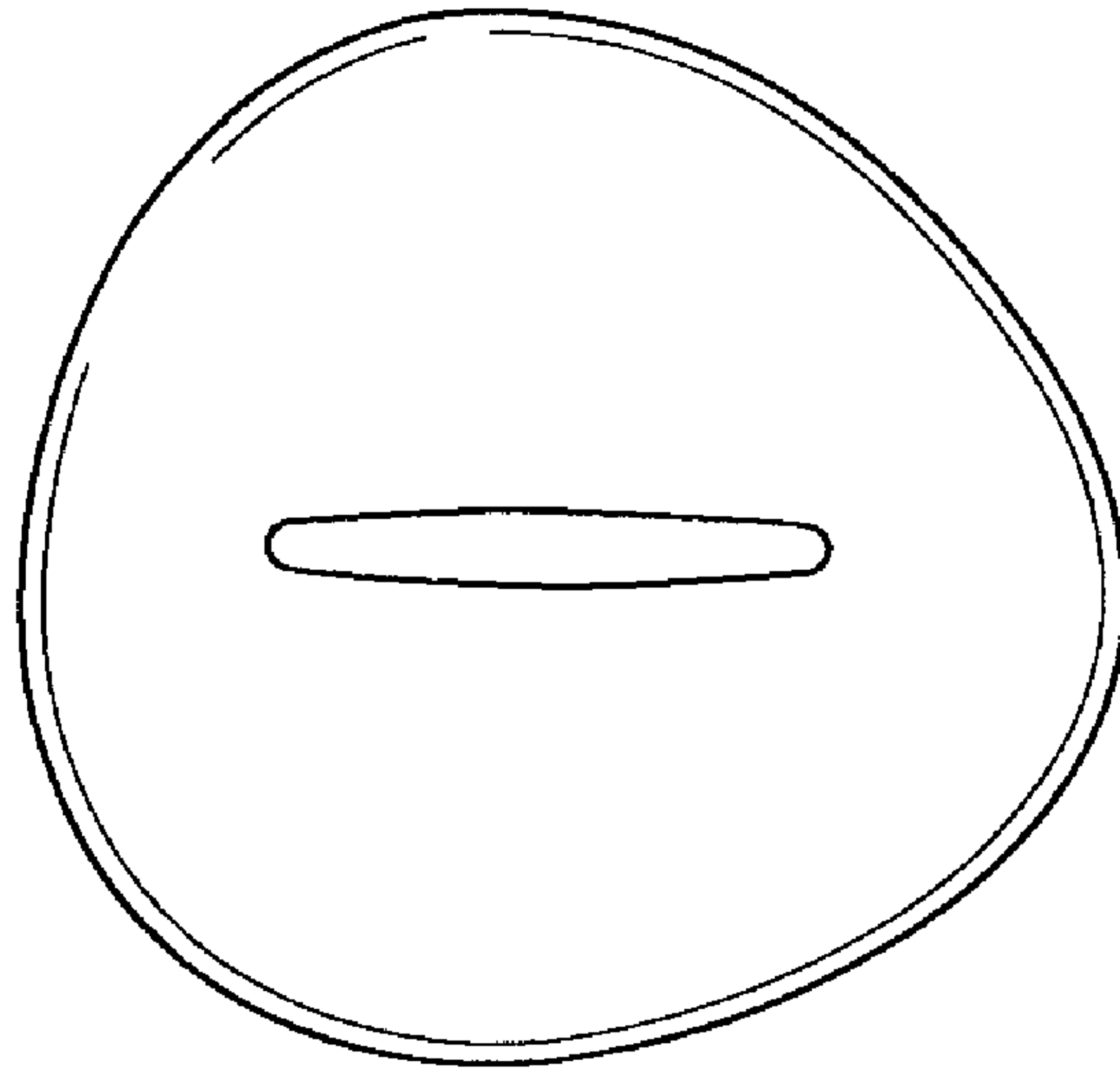


FIG. 7

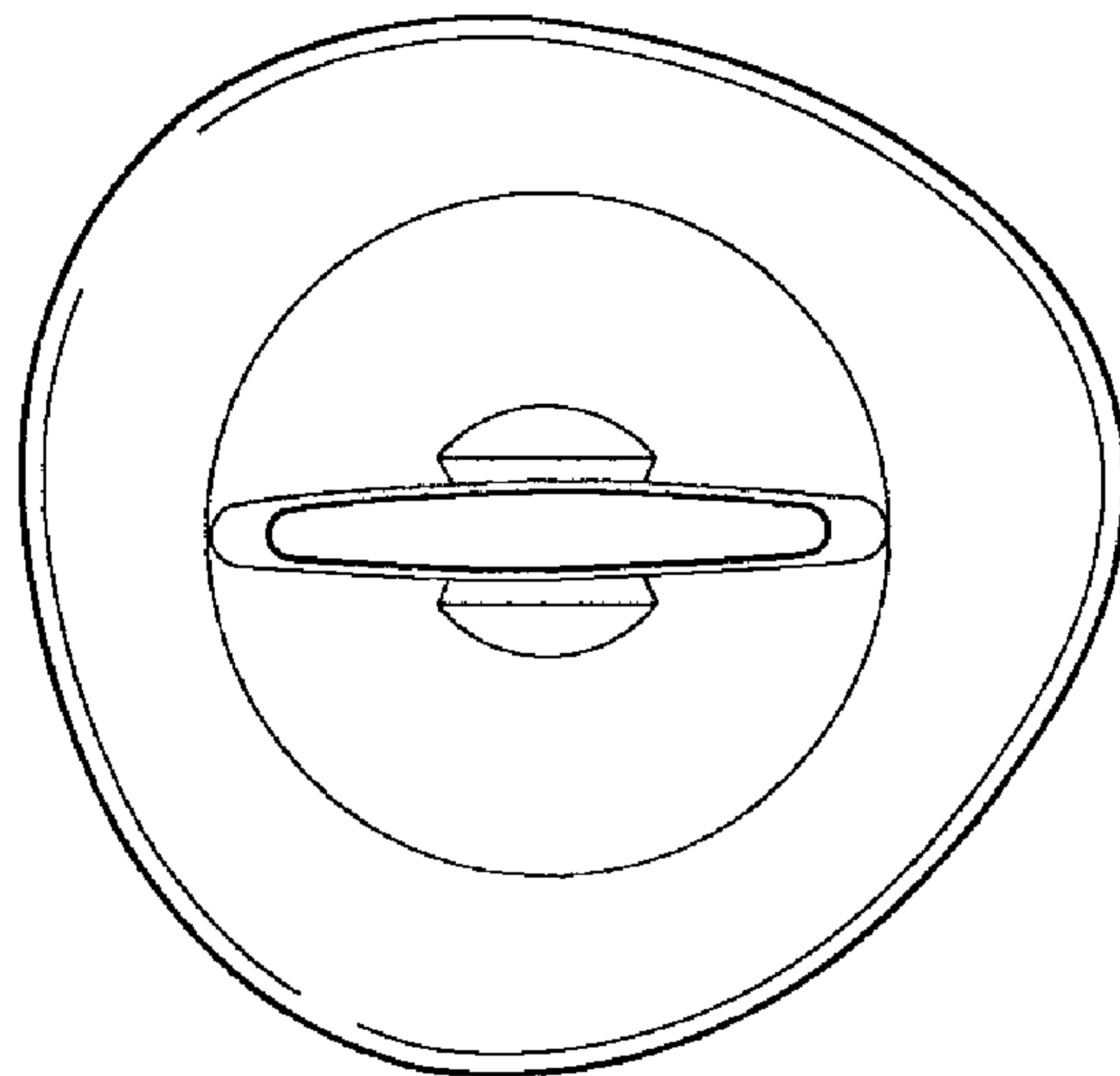


FIG. 8

