



US00D534279S

(12) **United States Design Patent**
Leyshon et al.

(10) **Patent No.:** **US D534,279 S**

(45) **Date of Patent:** **** Dec. 26, 2006**

(54) **TABLET CRUSHER**

(76) Inventors: **Frank Leyshon**, 534 N. First St.,
Cambridge, OH (US) 43725; **Joe**
Young, 2289 Federal Rd., Little
Hocking, OH (US) 45742

(**) Term: **14 Years**

(21) Appl. No.: **29/232,141**

(22) Filed: **Jun. 14, 2005**

(51) **LOC (8) Cl.** **24-02**

(52) **U.S. Cl.** **D24/220**

(58) **Field of Classification Search** D24/216-231;
241/168, 169, 169.1, 169.2, DIG. 27
See application file for complete search history.

(56) **References Cited**

U.S. PATENT DOCUMENTS

D233,533	S	*	11/1974	Ocel et al.	D24/220
4,121,775	A	*	10/1978	Roseberg et al.	241/169.2
4,765,549	A	*	8/1988	Sherman	241/169
D310,564	S	*	9/1990	Besaw	D24/220
D337,828	S		7/1993	Gordon	D24/220
5,863,001	A	*	1/1999	Schulze	241/169
D405,889	S	*	2/1999	Parsons	D24/220
5,915,637	A		6/1999	Parsons	241/168
D420,140	S	*	2/2000	Noble et al.	D24/220
6,059,209	A	*	5/2000	Barson	241/168
D433,148	S		10/2000	Dennis	D24/220
6,357,679	B1	*	3/2002	Radke	241/169.1
6,637,683	B1		10/2003	(Lomax) Wilbur	241/101.2
6,637,684	B1	*	10/2003	Ross et al.	241/169.1
6,637,685	B1		10/2003	Kruger	241/169.1
D497,543	S		10/2004	Buckley	D9/707
D502,267	S		2/2005	Leyshon et al.	D24/220

7,032,851 B1 * 4/2006 Demske et al. 241/DIG. 27

* cited by examiner

Primary Examiner—Robert A. Delehanty

Assistant Examiner—Mark Cavanna

(57) **CLAIM**

The ornamental design for a tablet crusher, as shown and described in the drawings.

DESCRIPTION

FIG. 1 is a side top perspective view of a tablet crusher of the present invention;

FIG. 2 is a first side elevation view of the tablet crusher of the present invention;

FIG. 3 is a second side elevation view of the tablet crusher of the present invention;

FIG. 4 is a third side elevation view of the tablet crusher of the present invention;

FIG. 5 is a fourth side elevation view of the tablet crusher of the present invention;

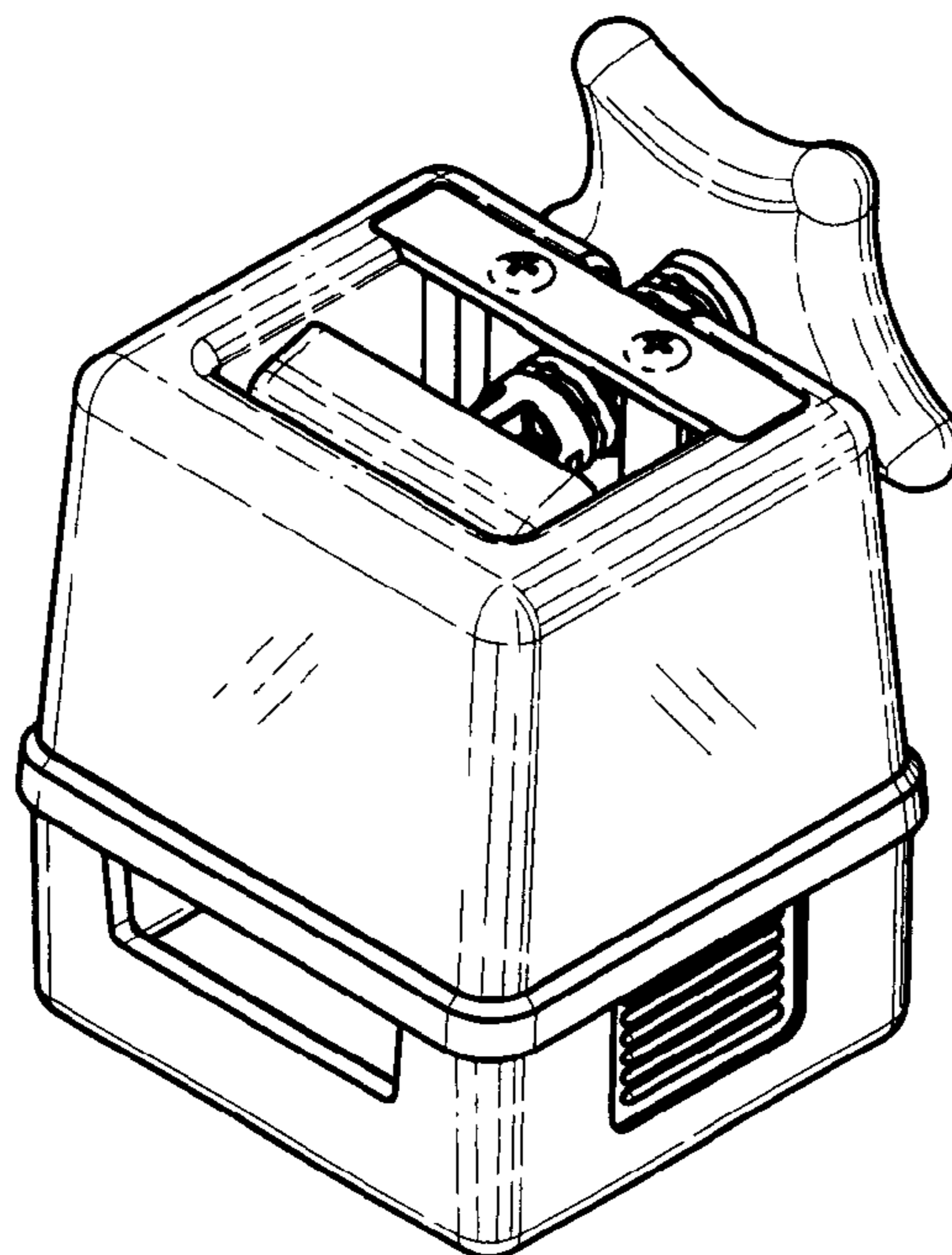
FIG. 6 is a top plan view of the tablet crusher of the present invention;

FIG. 7 is a bottom plan view of the tablet crusher of the present invention; and,

FIG. 8 is a side bottom perspective view of a tablet crusher of the present invention.

Shown in phantom lines in FIGS. 1 and 6 are optional attachment screws used with the tablet crusher of the present invention. Also shown in phantom lines in FIGS. 7 and 8 are optional base feet portions that may be used with the tablet crusher of the present invention. These aspects form no part of the claimed design, but are used to illustrate the optional attachments thereto.

1 Claim, 2 Drawing Sheets



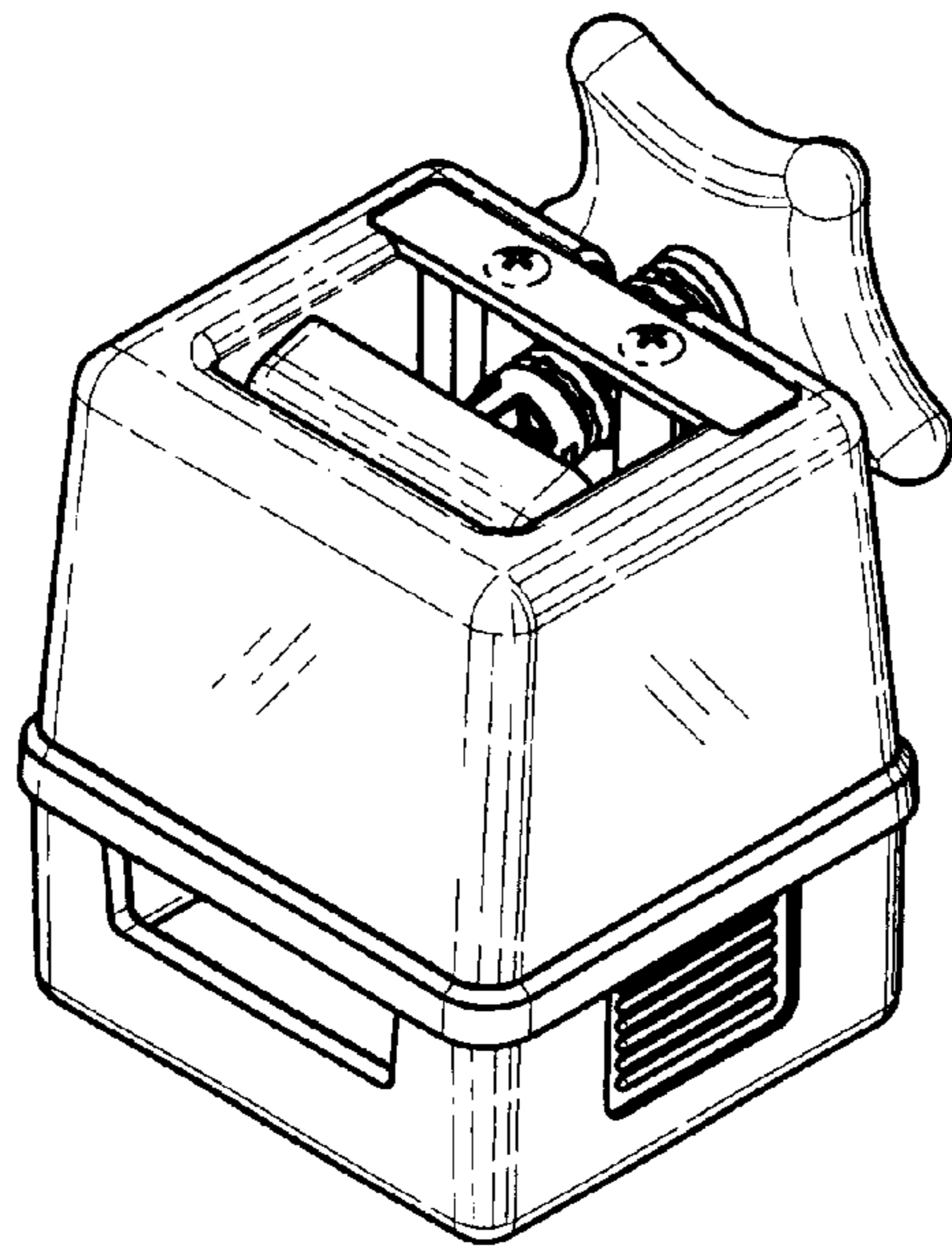


Fig. 1

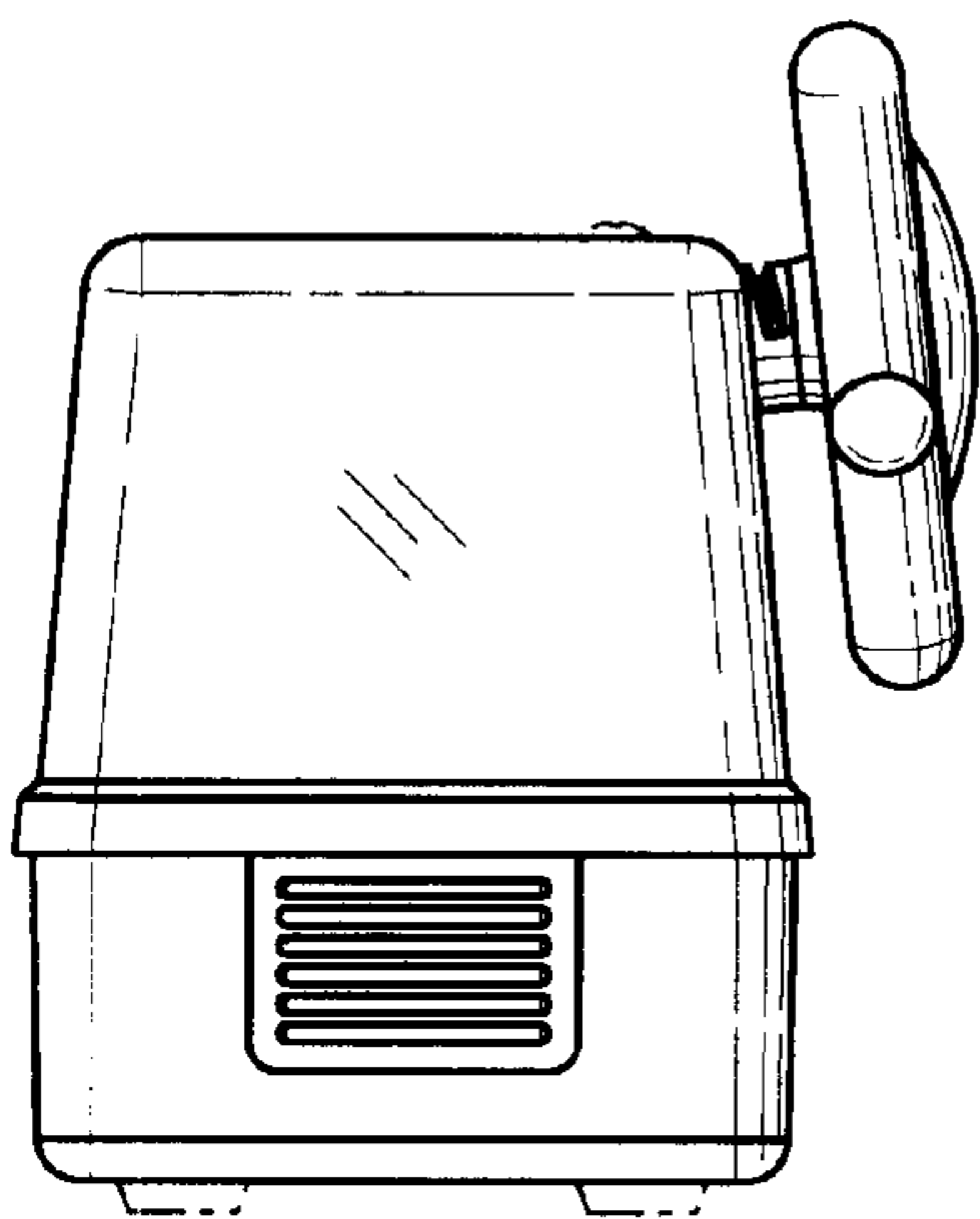


Fig. 2

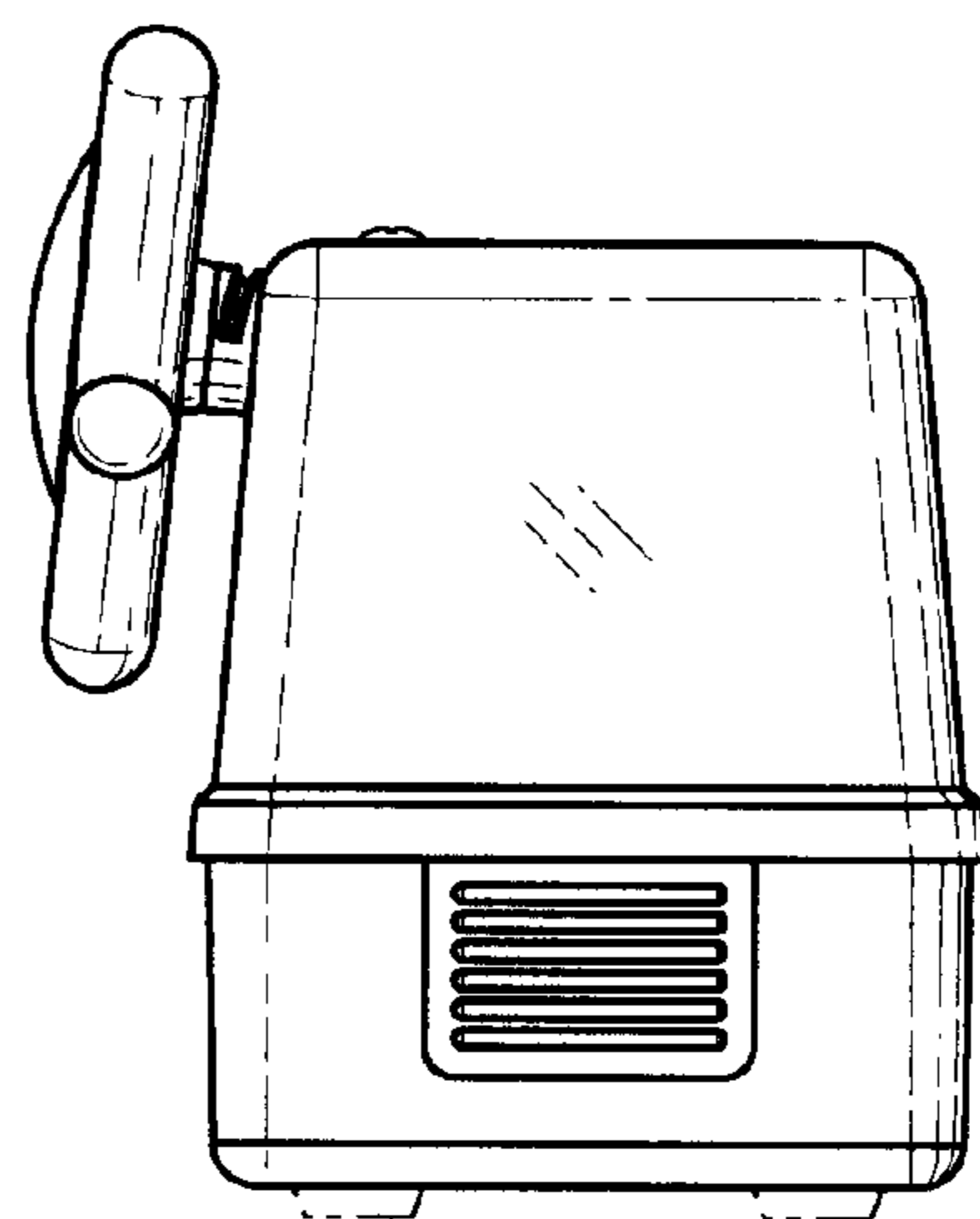


Fig. 3

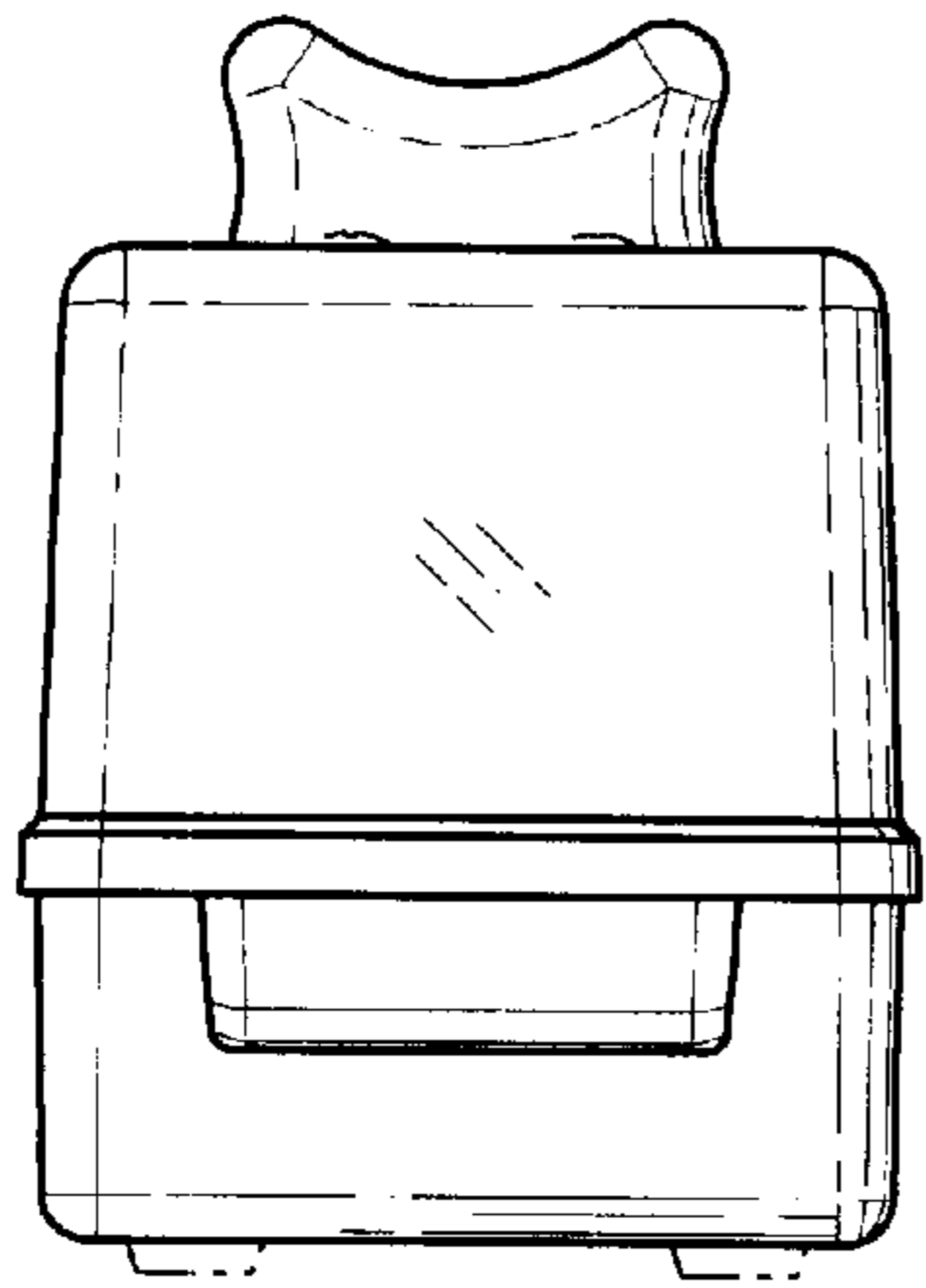


Fig. 4

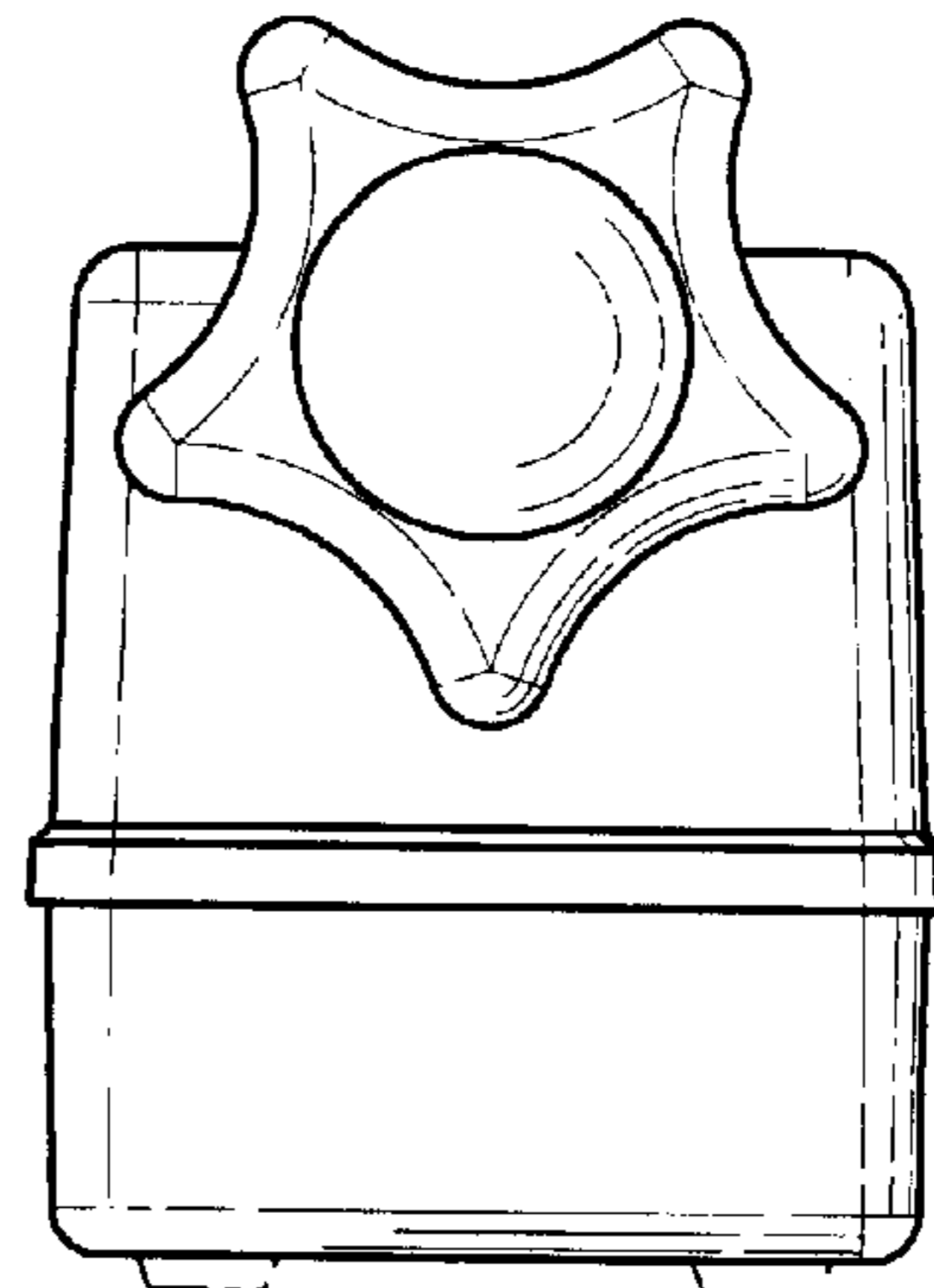


Fig. 5

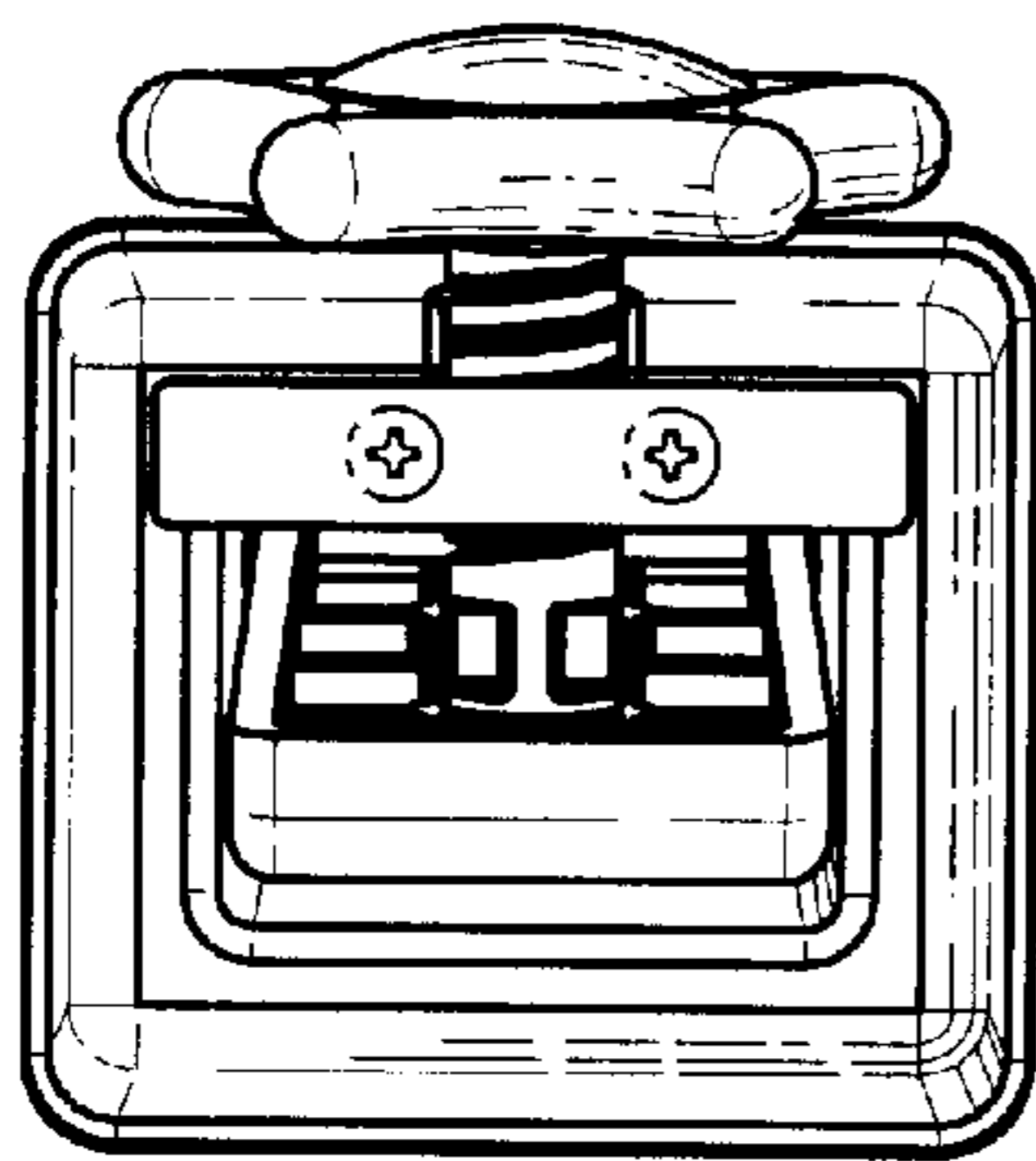


Fig. 6

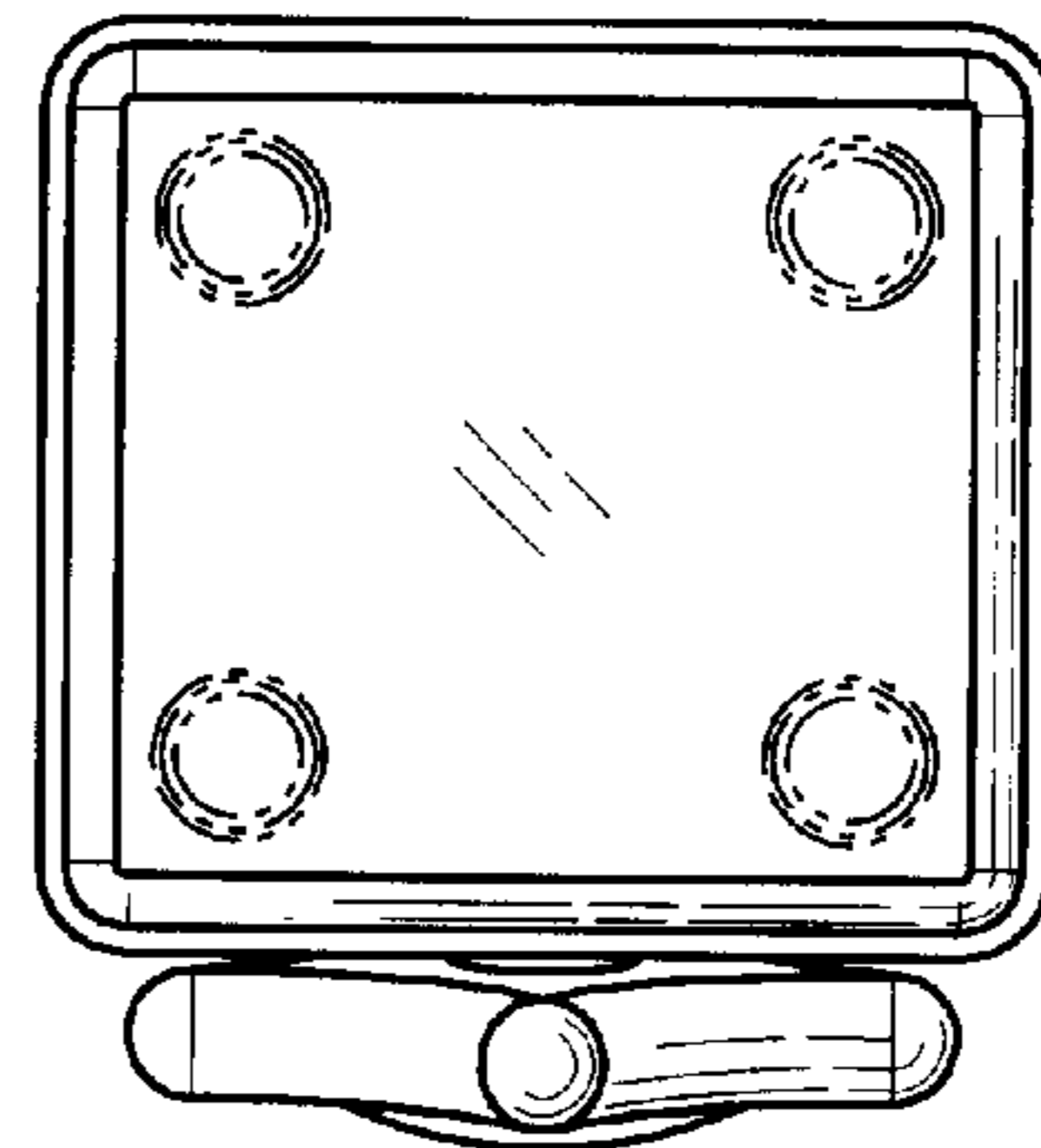


Fig. 7

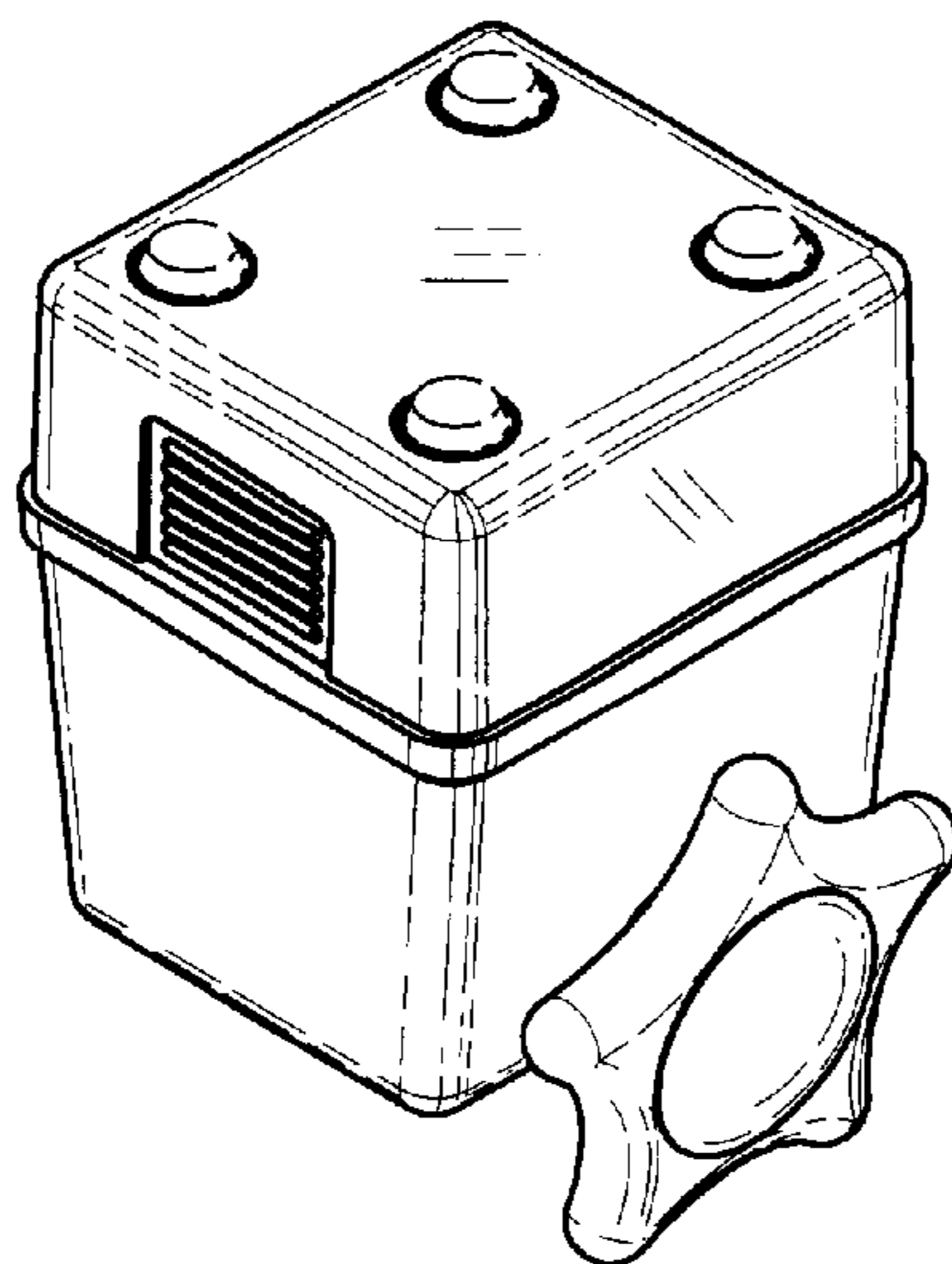


Fig. 8