



US00D534278S

(12) **United States Design Patent**
Lu

(10) **Patent No.:** **US D534,278 S**

(45) **Date of Patent:** **** Dec. 26, 2006**

(54) **STEAM ROOM SPA FACILITY**

(75) **Inventor:** **Li-Lin Lu**, Lujhu Township, Taoyuan County (TW)

(73) **Assignee:** **Chung-Teng Yeh**, Taipei (TW)

(**) **Term:** **14 Years**

(21) **Appl. No.:** **29/242,534**

(22) **Filed:** **Nov. 14, 2005**

Related U.S. Application Data

(63) Continuation-in-part of application No. 29/205,981, filed on May 25, 2004, now abandoned.

(51) **LOC (8) Cl.** **24-04**

(52) **U.S. Cl.** **D24/202**

(58) **Field of Classification Search** D24/202, D24/203; D23/215; 607/83; 4/524, 528, 531, 4/532; D25/16, 18

See application file for complete search history.

(56) **References Cited**

U.S. PATENT DOCUMENTS

D335,352 S * 5/1993 Ristine, III D24/202
D346,015 S * 4/1994 Maskell et al. D24/203

5,416,931 A * 5/1995 Wolfenden et al. 4/524
5,628,073 A * 5/1997 Popovich 4/524
D444,881 S * 7/2001 Jensen et al. D24/203
D462,545 S * 9/2002 Malle D25/16
6,500,197 B1 * 12/2002 Buesselmann 607/83
D468,442 S * 1/2003 Tisbo et al. D25/16
6,675,403 B1 * 1/2004 Akhtar et al. 4/528
6,681,417 B1 * 1/2004 Brunelle et al. 4/524

* cited by examiner

Primary Examiner—Ian Simmons

Assistant Examiner—Melanie Levy

(74) *Attorney, Agent, or Firm*—Troxell Law Office, PLLC

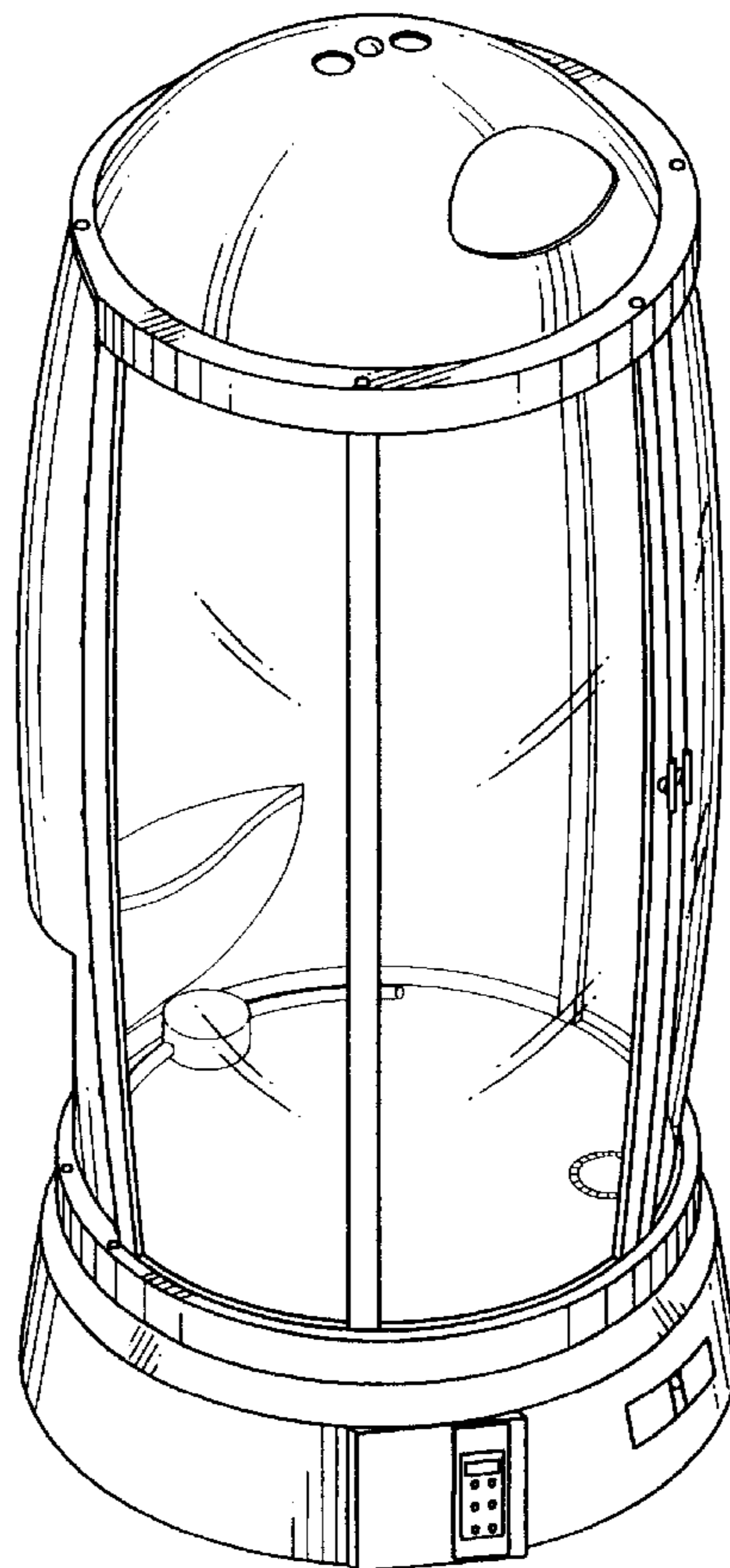
(57) **CLAIM**

The ornamental design for a steam room spa facility, as shown and described.

DESCRIPTION

FIG. 1 is a perspective view of a steam room spa facility; FIG. 2 is a front view thereof; FIG. 3 is a back view thereof; FIG. 4 is a left side view thereof; FIG. 5 is a right side view thereof; FIG. 6 is a top view thereof; and, FIG. 7 is a bottom view thereof.

1 Claim, 6 Drawing Sheets



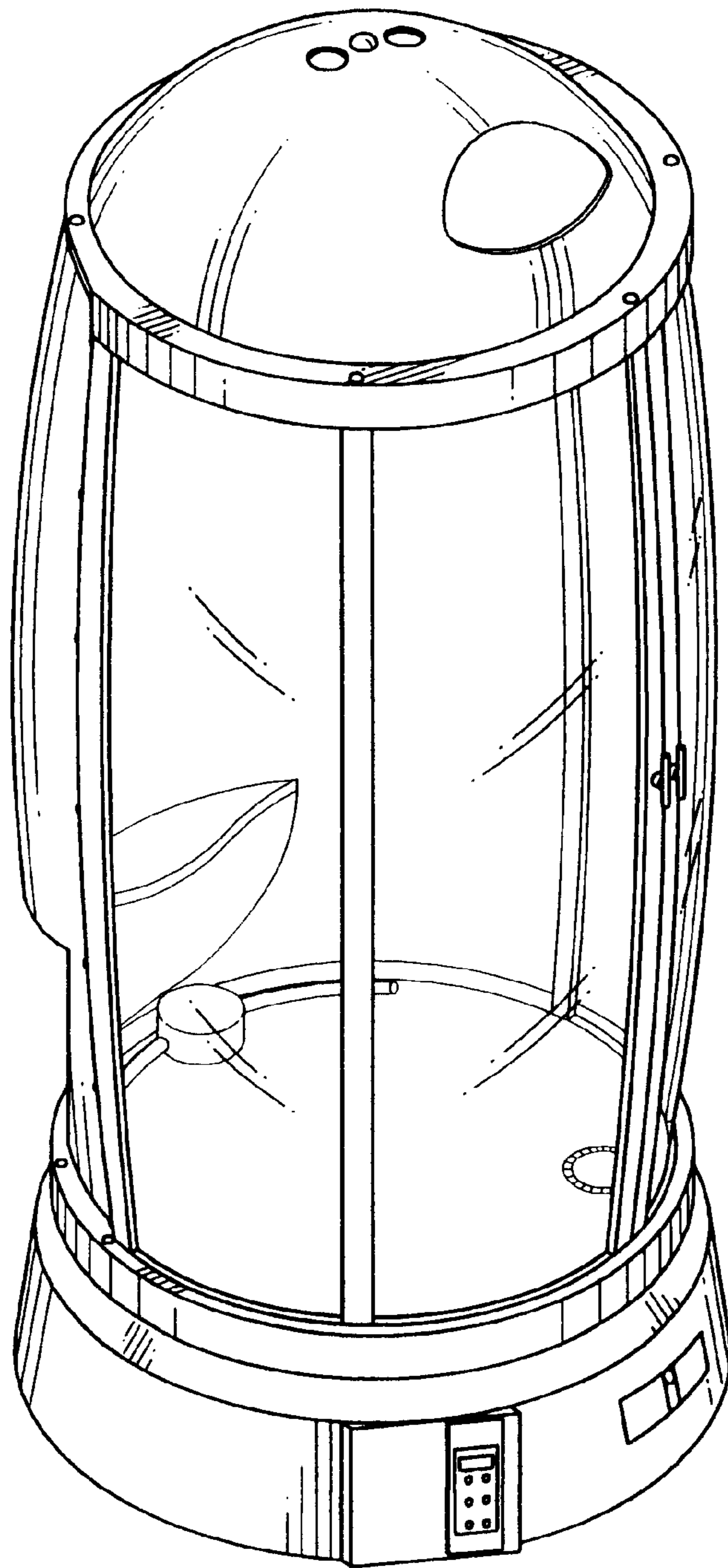


FIG.1

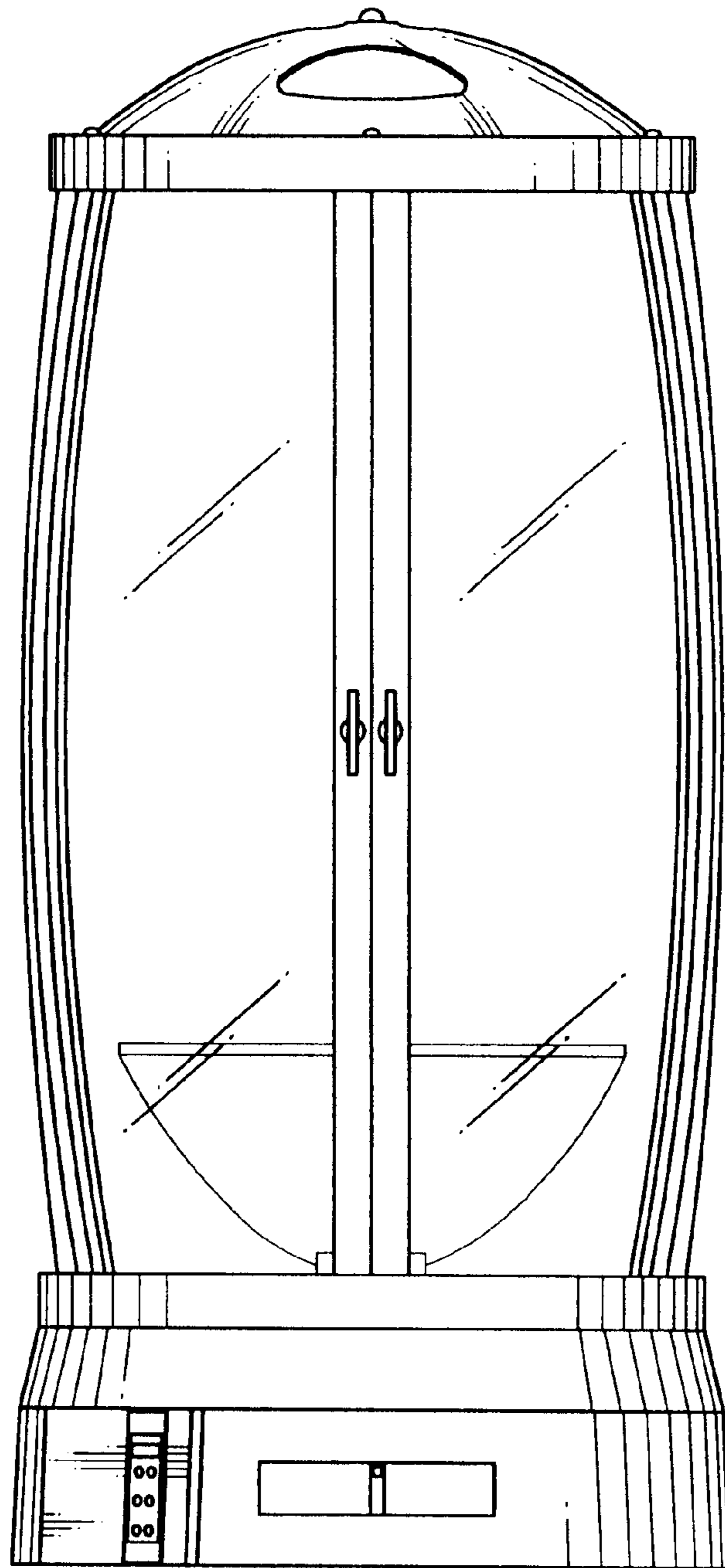


FIG.2

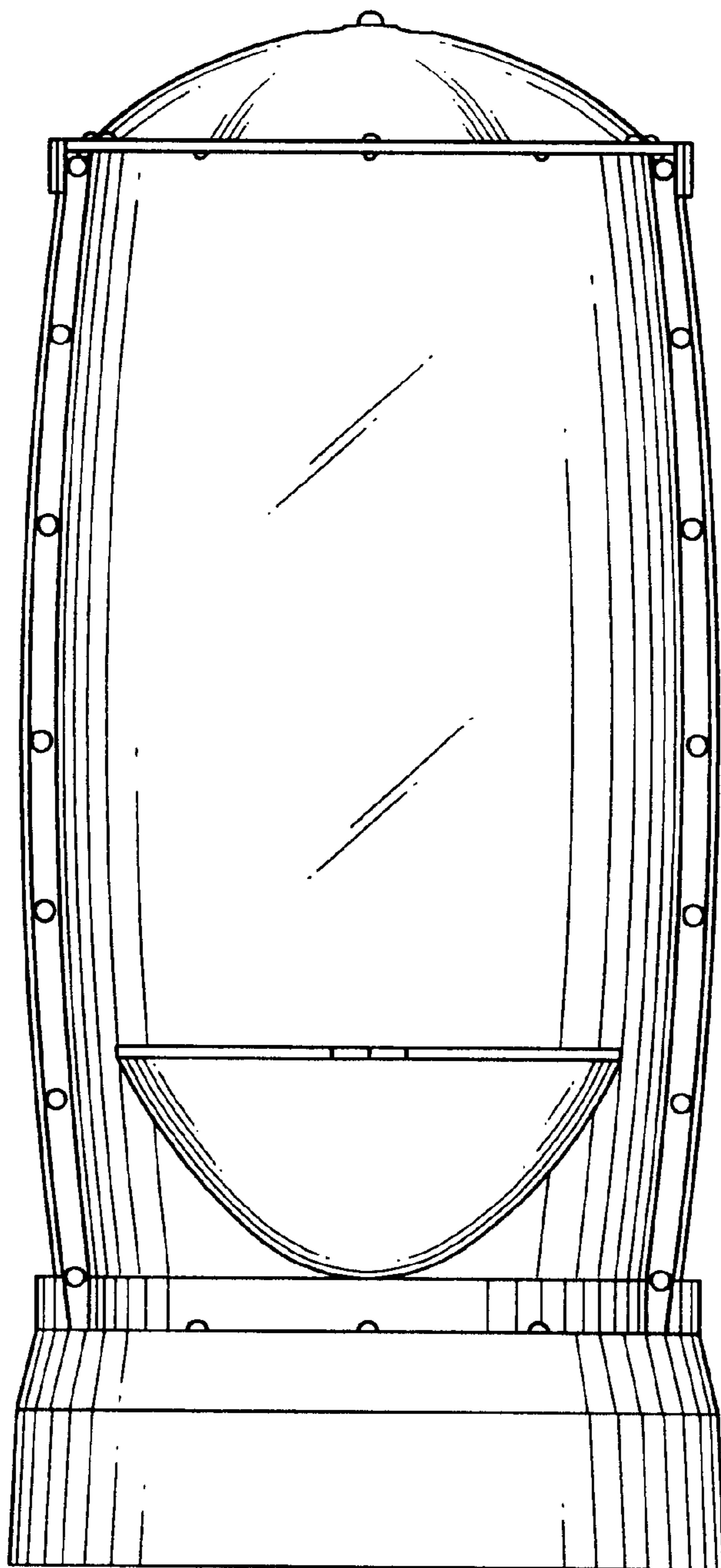


FIG.3

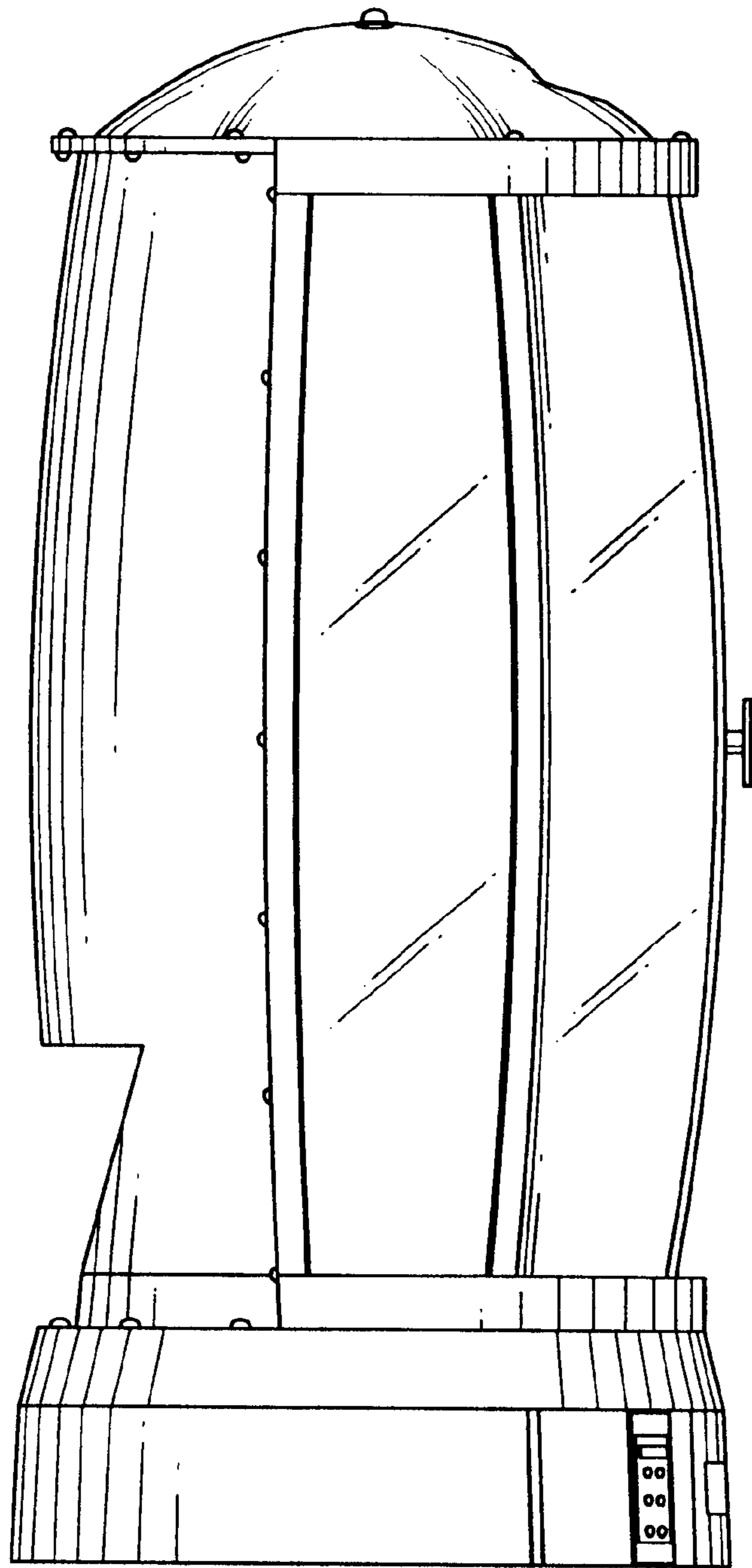


FIG.4

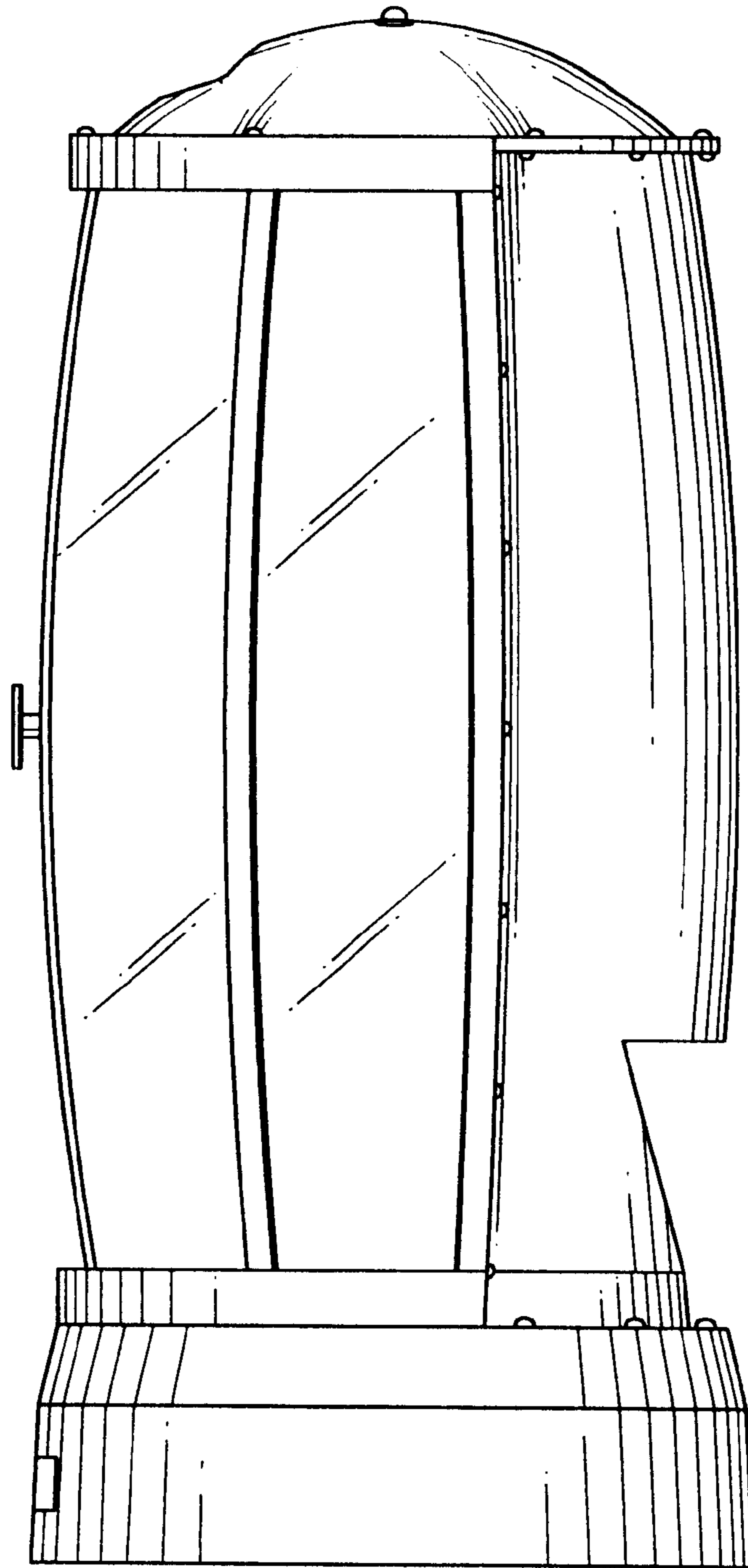


FIG.5

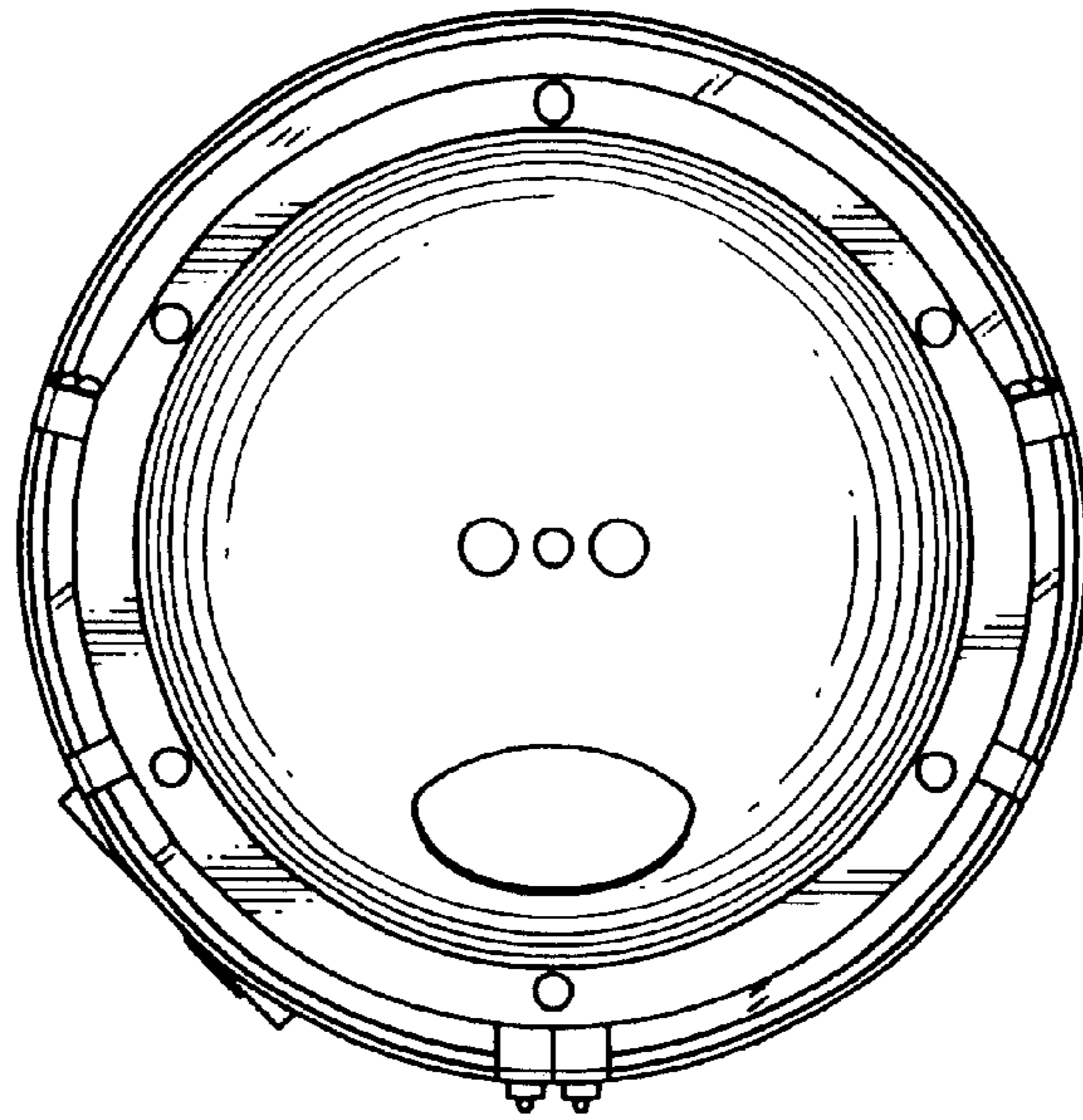


FIG.6

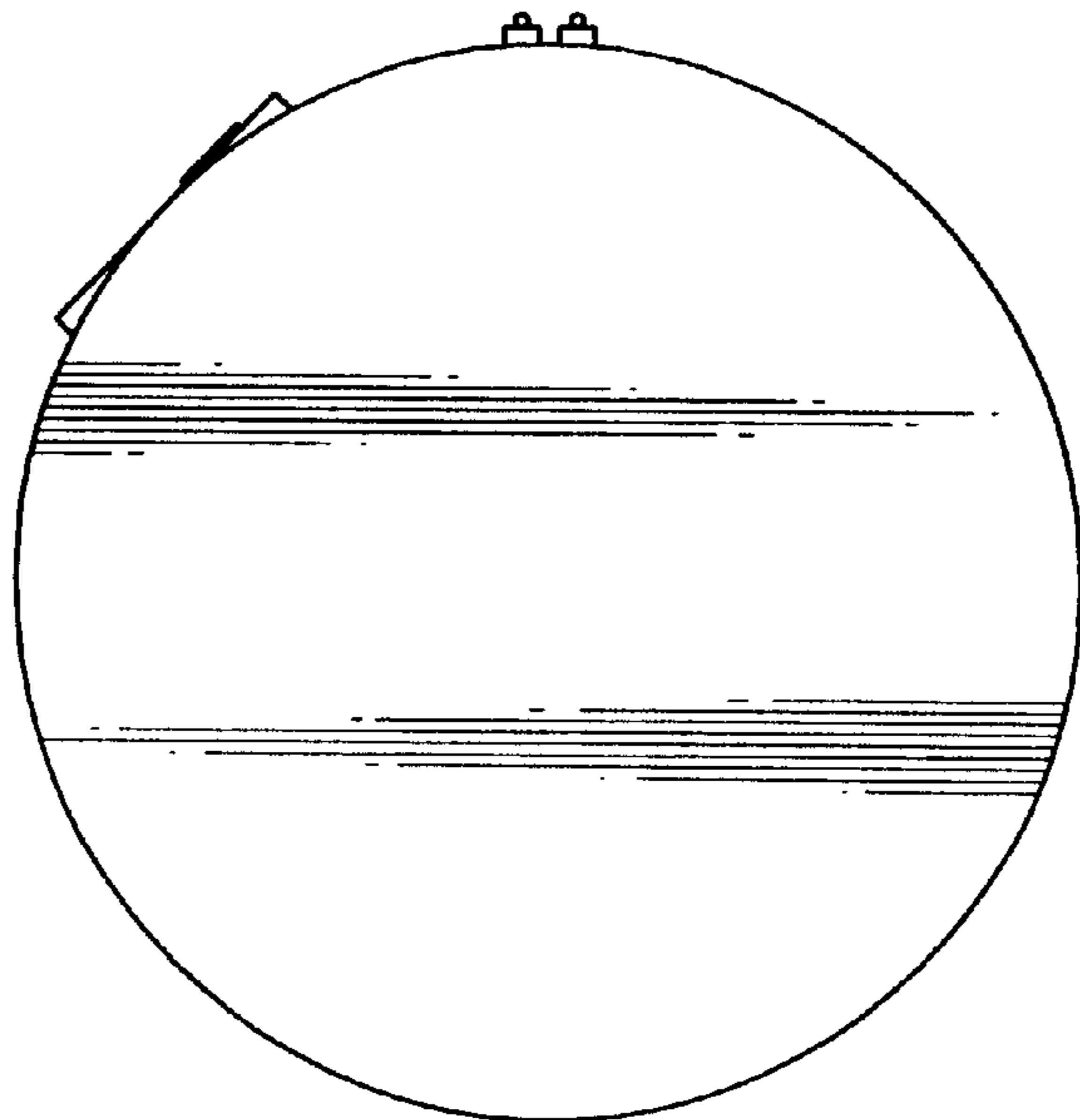


FIG.7