



US00D534277S

(12) **United States Design Patent**
Shennib et al.

(10) **Patent No.:** **US D534,277 S**

(45) **Date of Patent:** **** Dec. 26, 2006**

(54) **EXTENDED WEAR HEARING DEVICE
MAIN MODULE**

6,532,295 B1 * 3/2003 Brimhall et al. 381/328

* cited by examiner

(75) Inventors: **Adnan Ahmed Shennib**, Fremont, CA
(US); **Timothy Cuongdung Huynh**,
San Jose, CA (US); **Richard Carl
Urso**, Redwood City, CA (US)

Primary Examiner—Louis S. Zarfaz

Assistant Examiner—Daniel Yu

(74) *Attorney, Agent, or Firm*—Townsend and Townsend
and Crew LLP

(73) Assignee: **InSound Medical, Inc.**, Newark, CA
(US)

(57) **CLAIM**

The ornamental design for an extended wear hearing device
main module, as shown and described.

(**) Term: **14 Years**

DESCRIPTION

(21) Appl. No.: **29/199,934**

FIG. 1 is a front elevation view of the extended wear hearing
device main module of the present invention;

(22) Filed: **Feb. 19, 2004**

FIG. 2 is a left elevation view thereof;

(51) **LOC (8) Cl.** **24-99**

FIG. 3 is a rear elevation view thereof;

(52) **U.S. Cl.** **D24/174**

FIG. 4 is a right elevation view thereof;

(58) **Field of Classification Search** D24/174;
181/130, 135; 381/328, 312, 322, 380, 324
See application file for complete search history.

FIG. 5 is a top perspective view of the extended wear
hearing device main module;

FIG. 6 is a bottom perspective view of the extended wear
hearing device main module;

FIG. 7 is a top elevation view of the extended wear hearing
device main module; and,

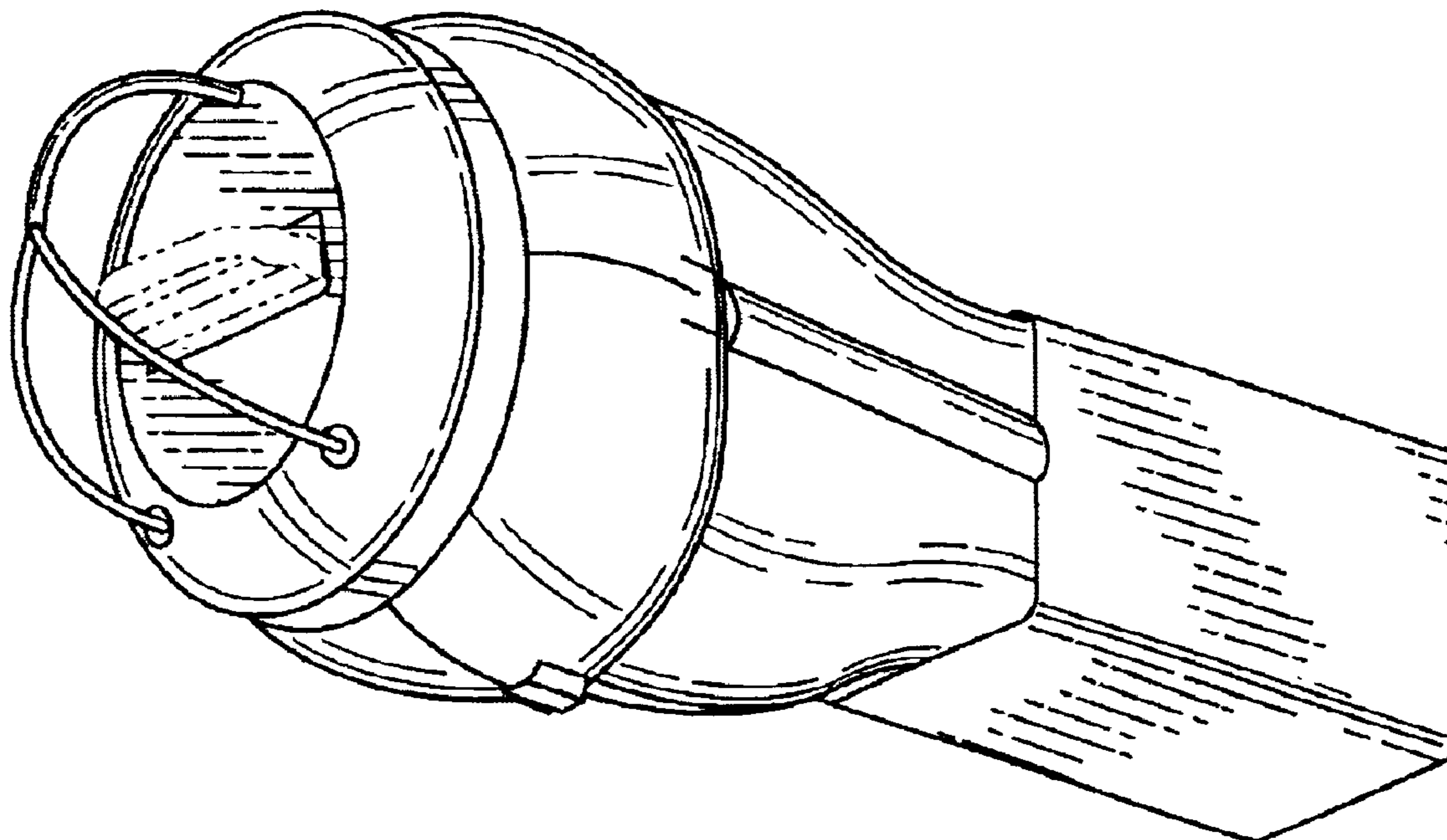
FIG. 8 is a bottom elevation view thereof.

(56) **References Cited**

U.S. PATENT DOCUMENTS

3,852,540 A * 12/1974 Diethelm 381/324
5,748,743 A * 5/1998 Weeks 381/328

1 Claim, 4 Drawing Sheets



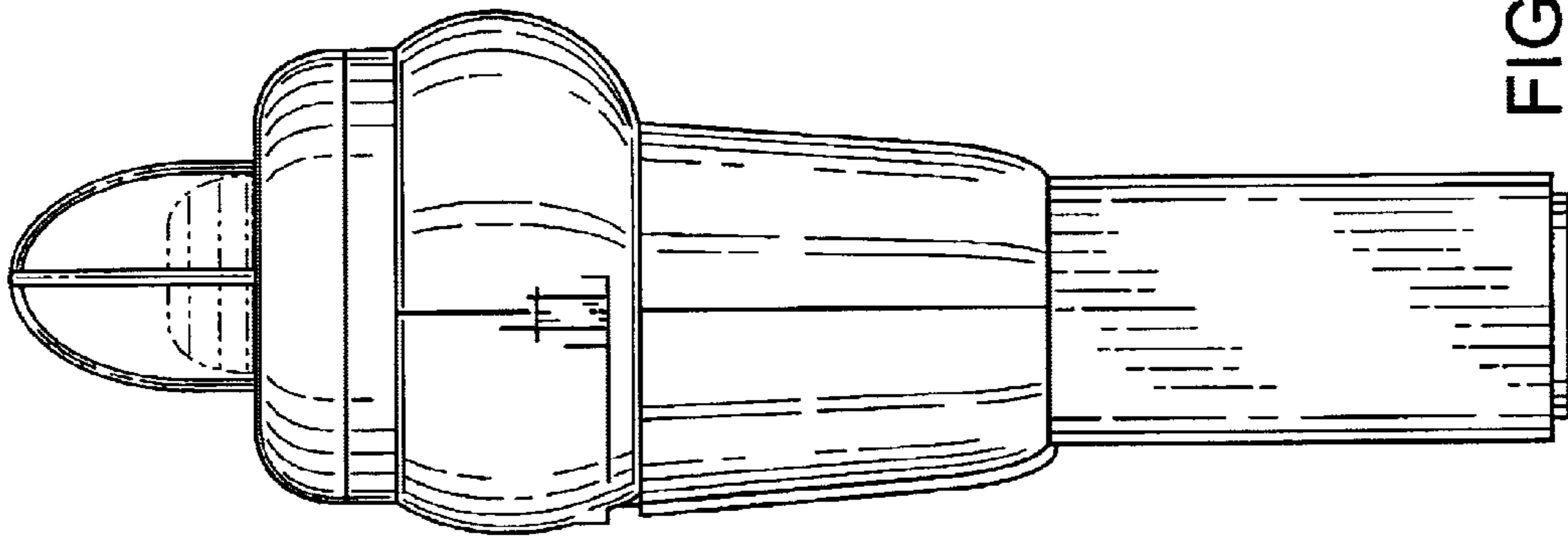


FIG. 2

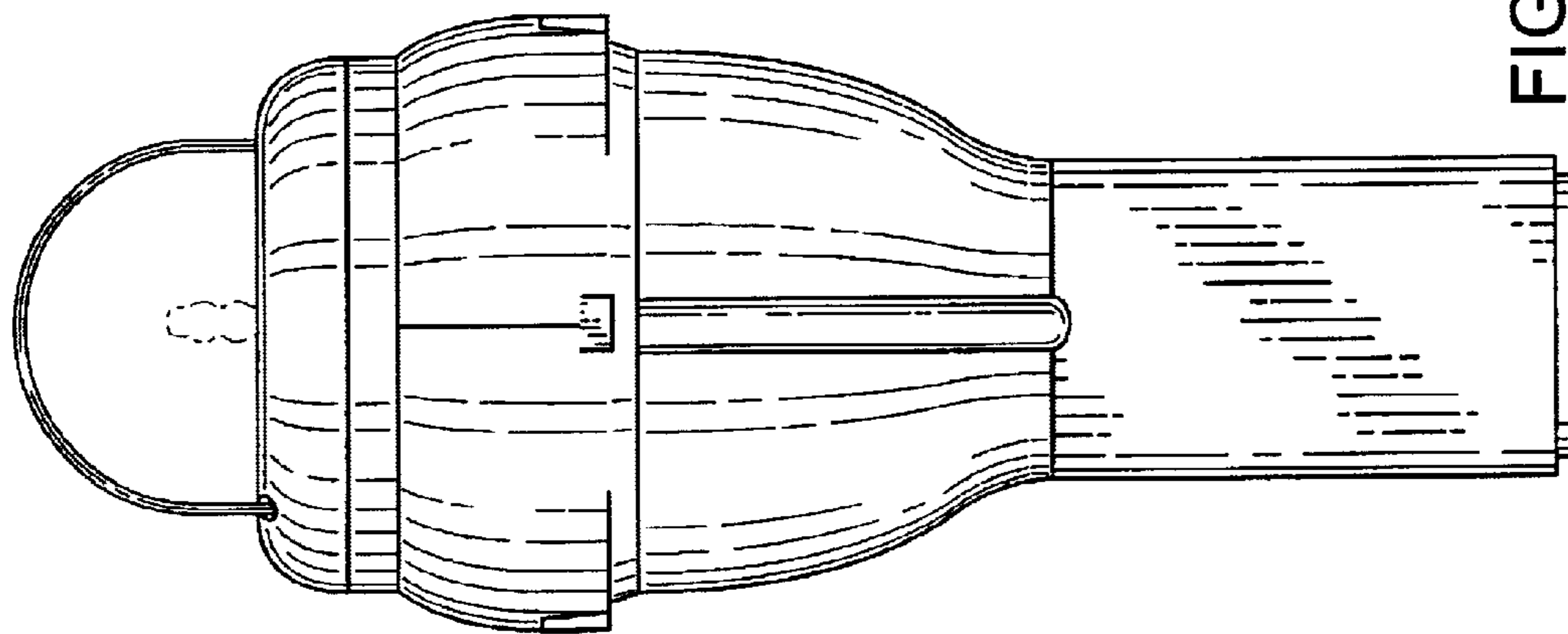


FIG. 1

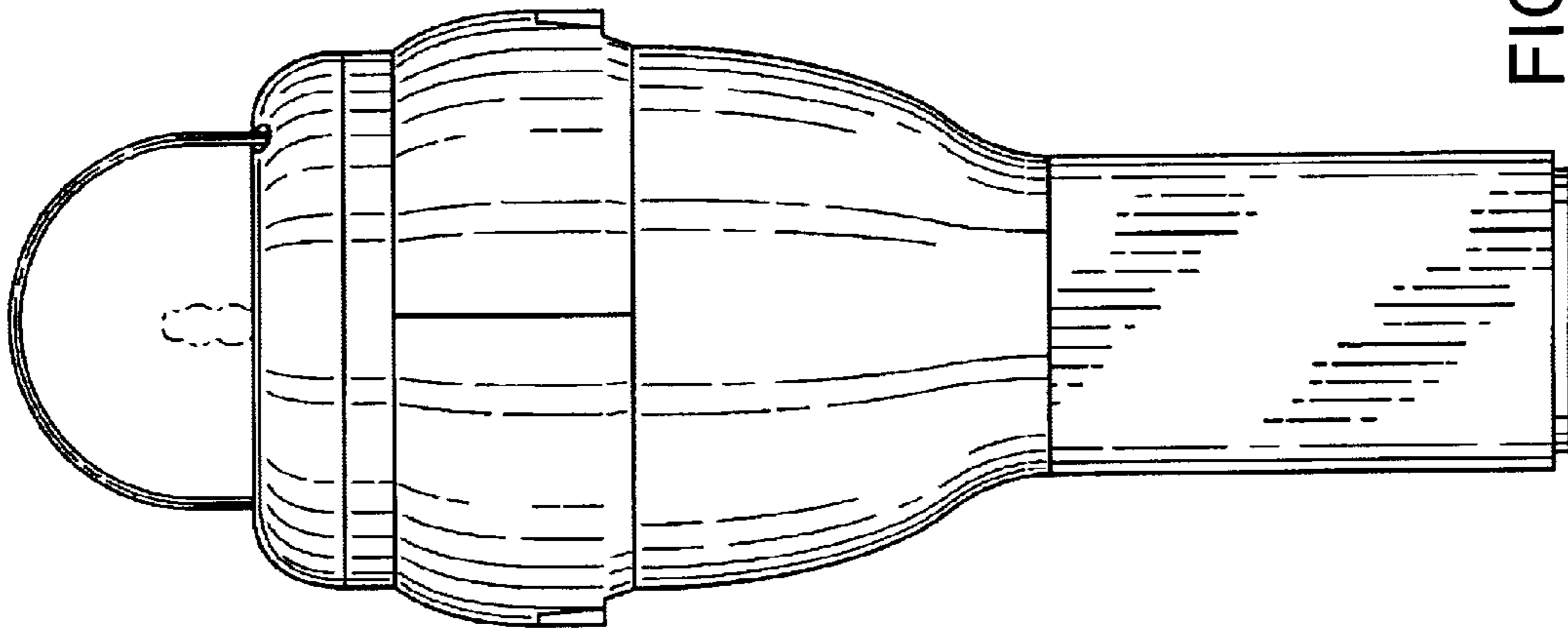


FIG. 4

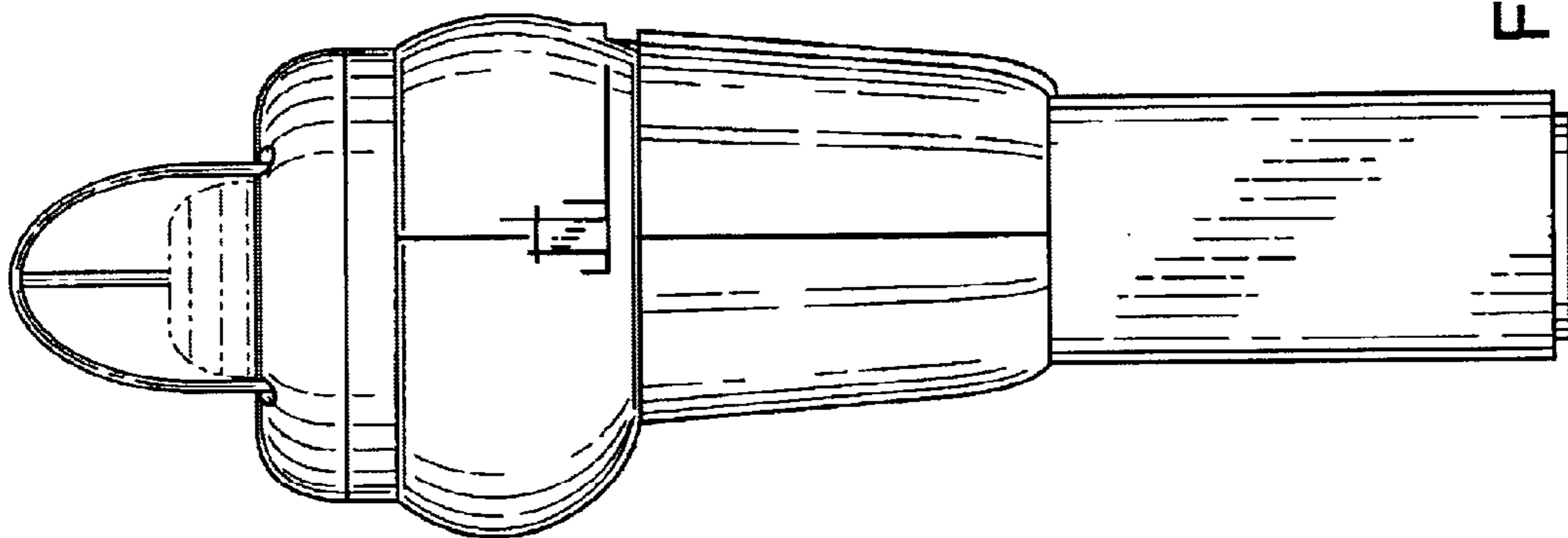


FIG. 3

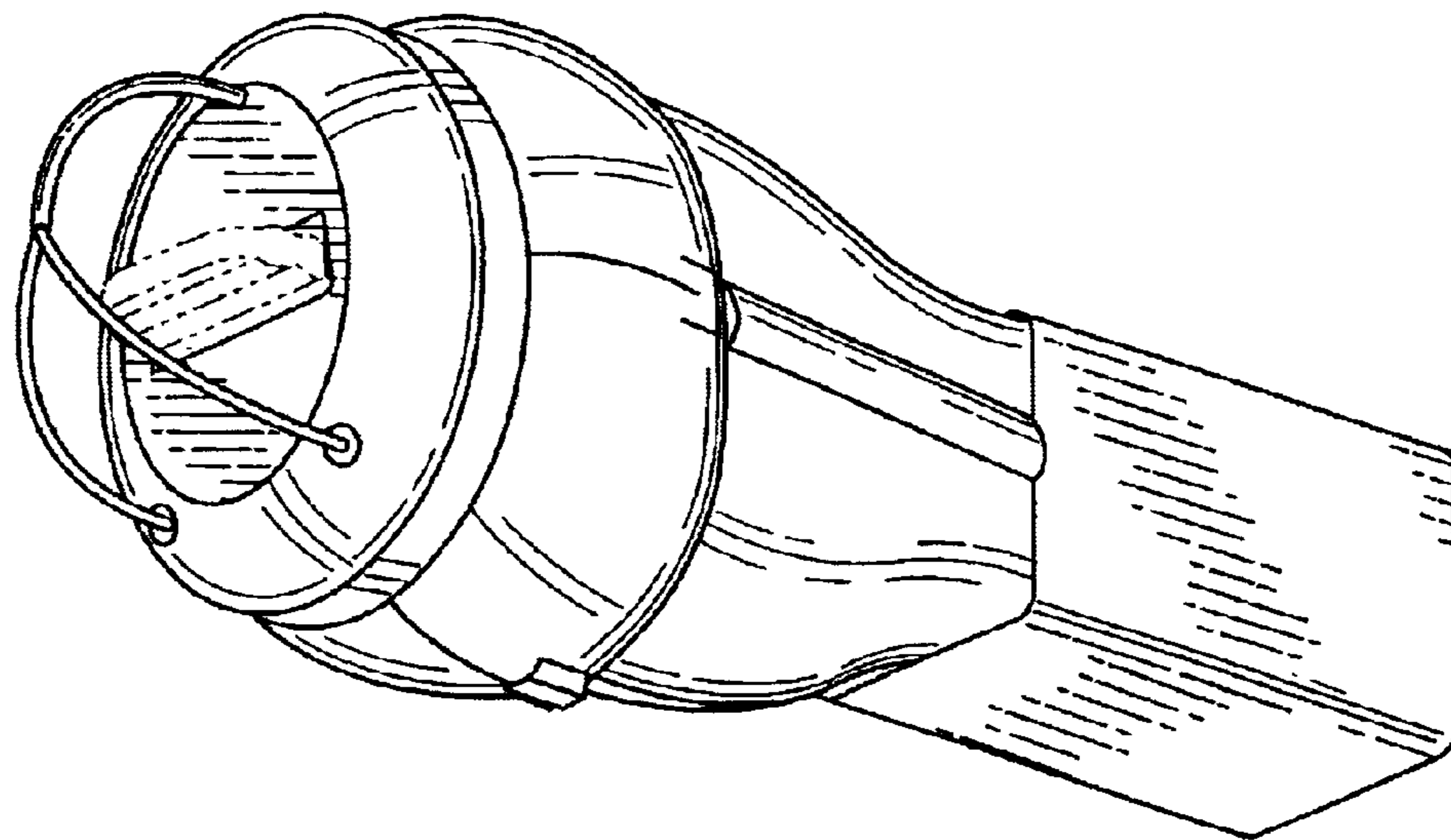


FIG. 5

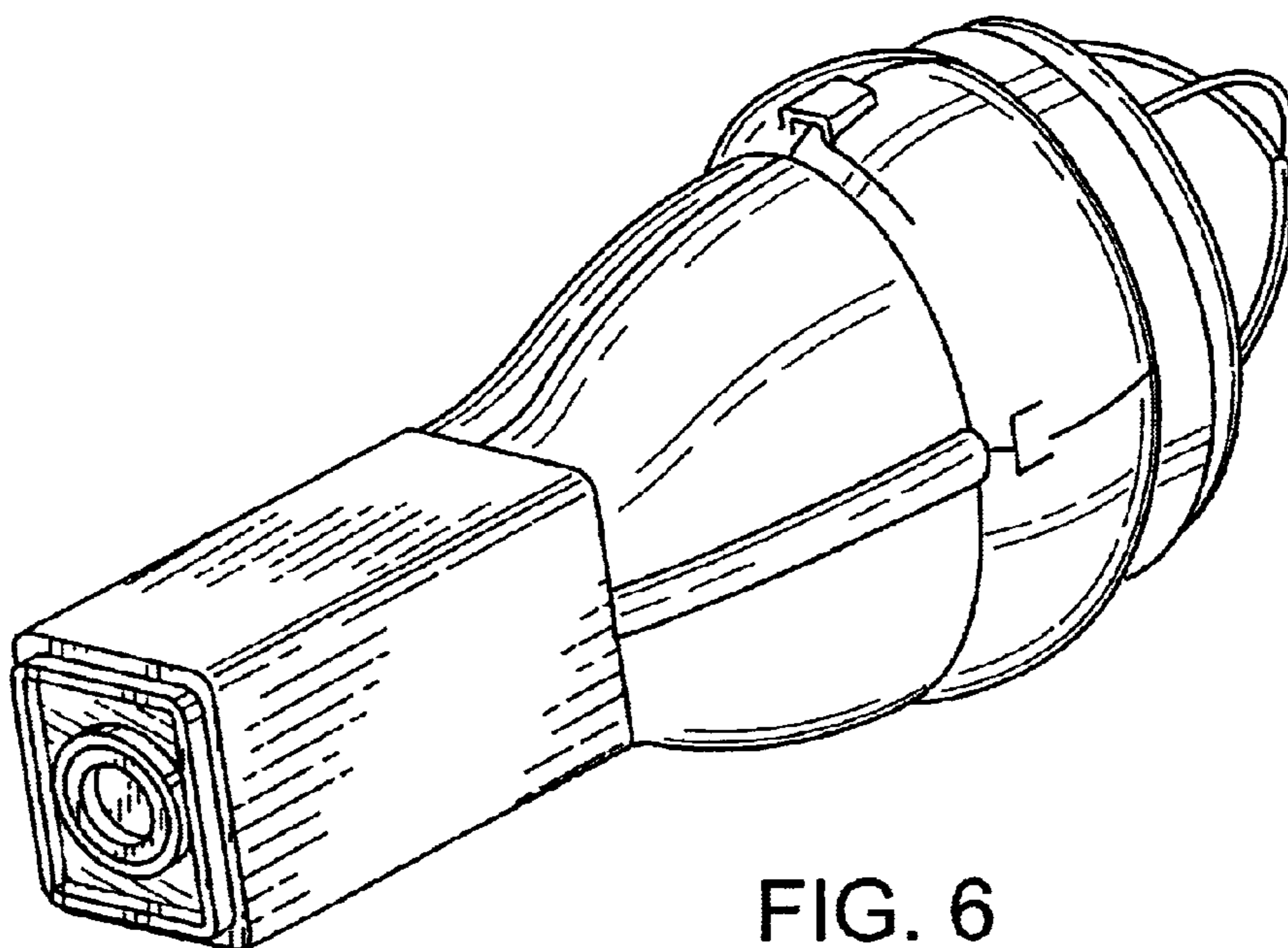


FIG. 6

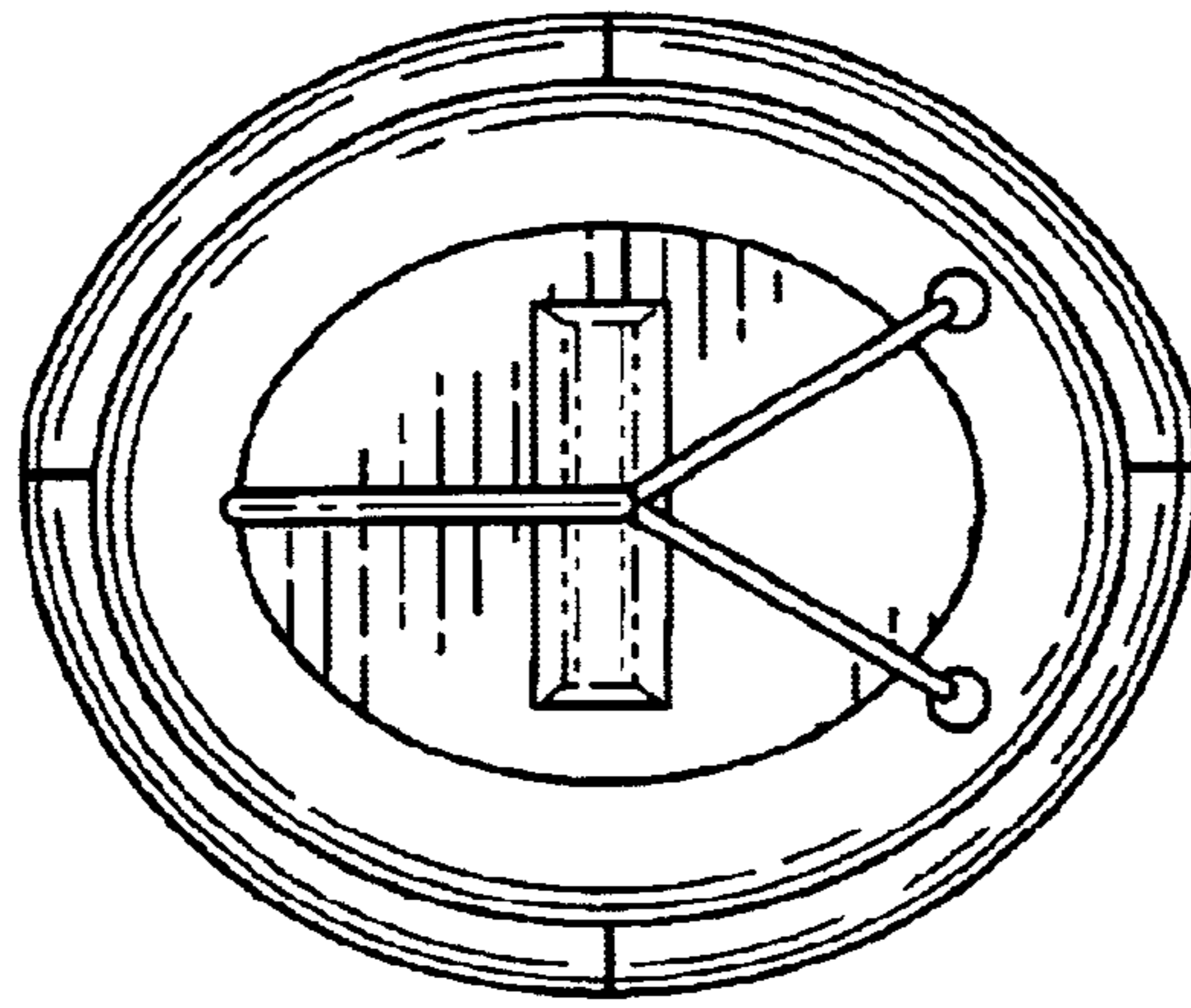


FIG. 7

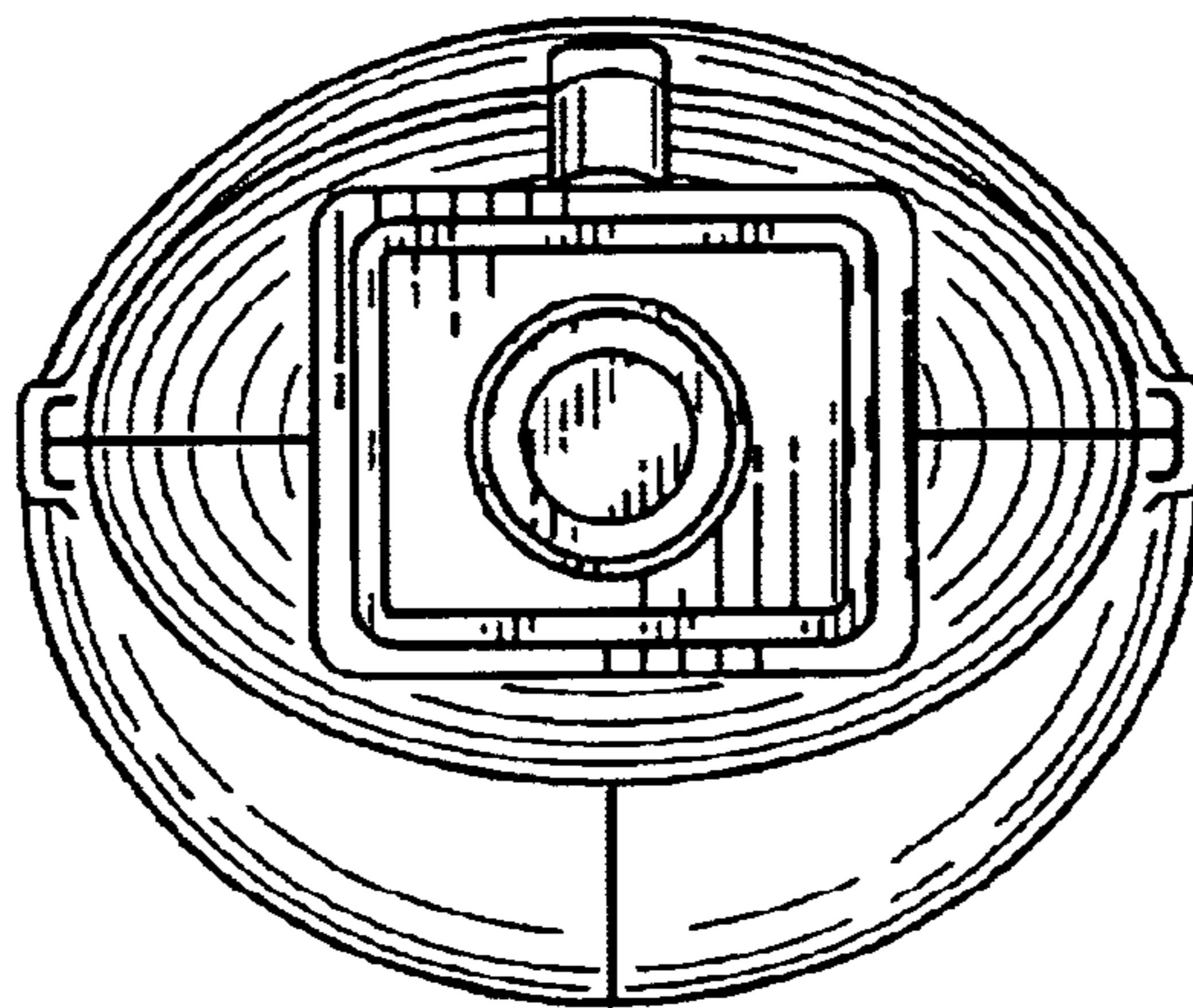


FIG. 8