



US00D534275S

(12) **United States Design Patent**
Hayamizu

(10) **Patent No.:** **US D534,275 S**

(45) **Date of Patent:** **** Dec. 26, 2006**

(54) **PROCESSOR FOR ENDOSCOPE**

(75) Inventor: **Eiji Hayamizu**, Tokyo (JP)

(73) Assignee: **Pentax Corporation**, Tokyo (JP)

(**) Term: **14 Years**

(21) Appl. No.: **29/227,040**

(22) Filed: **Apr. 6, 2005**

(30) **Foreign Application Priority Data**

Oct. 18, 2004 (JP) 2004-031509

(51) **LOC (8) Cl.** **24-02**

(52) **U.S. Cl.** **D24/138; D24/107; D24/144; D24/186**

(58) **Field of Classification Search** D24/107, D24/138, 144, 180, 186; D10/46, 78, 81, D10/103, 122, 124, 125; D12/192; 348/71, 348/72, 75; 600/109, 158, 160, 178; D13/173-177
See application file for complete search history.

(56) **References Cited**

U.S. PATENT DOCUMENTS

D354,921 S * 1/1995 Narayanan D10/78

D416,821 S * 11/1999 Narayanan D10/81
D481,123 S * 10/2003 Hayamizu D24/138
D514,006 S * 1/2006 Kaar et al. D10/81

* cited by examiner

Primary Examiner—Antoine D. Davis

Assistant Examiner—Christopher Lee

(74) *Attorney, Agent, or Firm*—Sughrue Mion, PLLC

(57) **CLAIM**

The ornamental design for a processor for endoscope, as shown and described.

DESCRIPTION

FIG. 1 is a perspective view of the top, front and right side of a processor for endoscope showing my new design; FIG. 2 is a front elevational view thereof; FIG. 3 is a rear elevational view thereof; FIG. 4 is a right side elevational view thereof; FIG. 5 is a left side elevational view thereof; FIG. 6 is a top plan view thereof; and, FIG. 7 is a bottom plan view thereof.

The portions shown in broken lines are for illustrative purposes only and form no part of the claimed design.

1 Claim, 5 Drawing Sheets

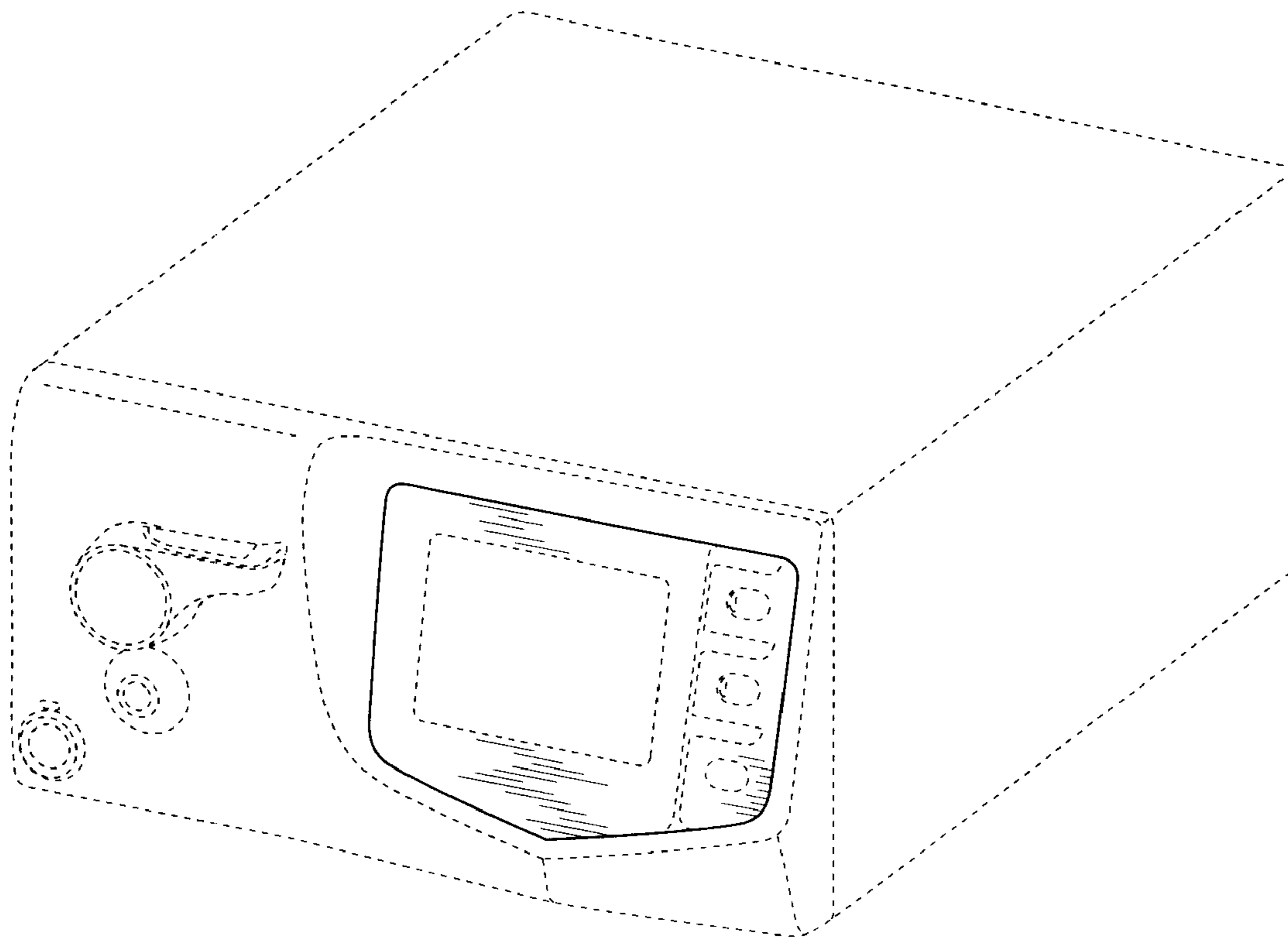


FIG. 1

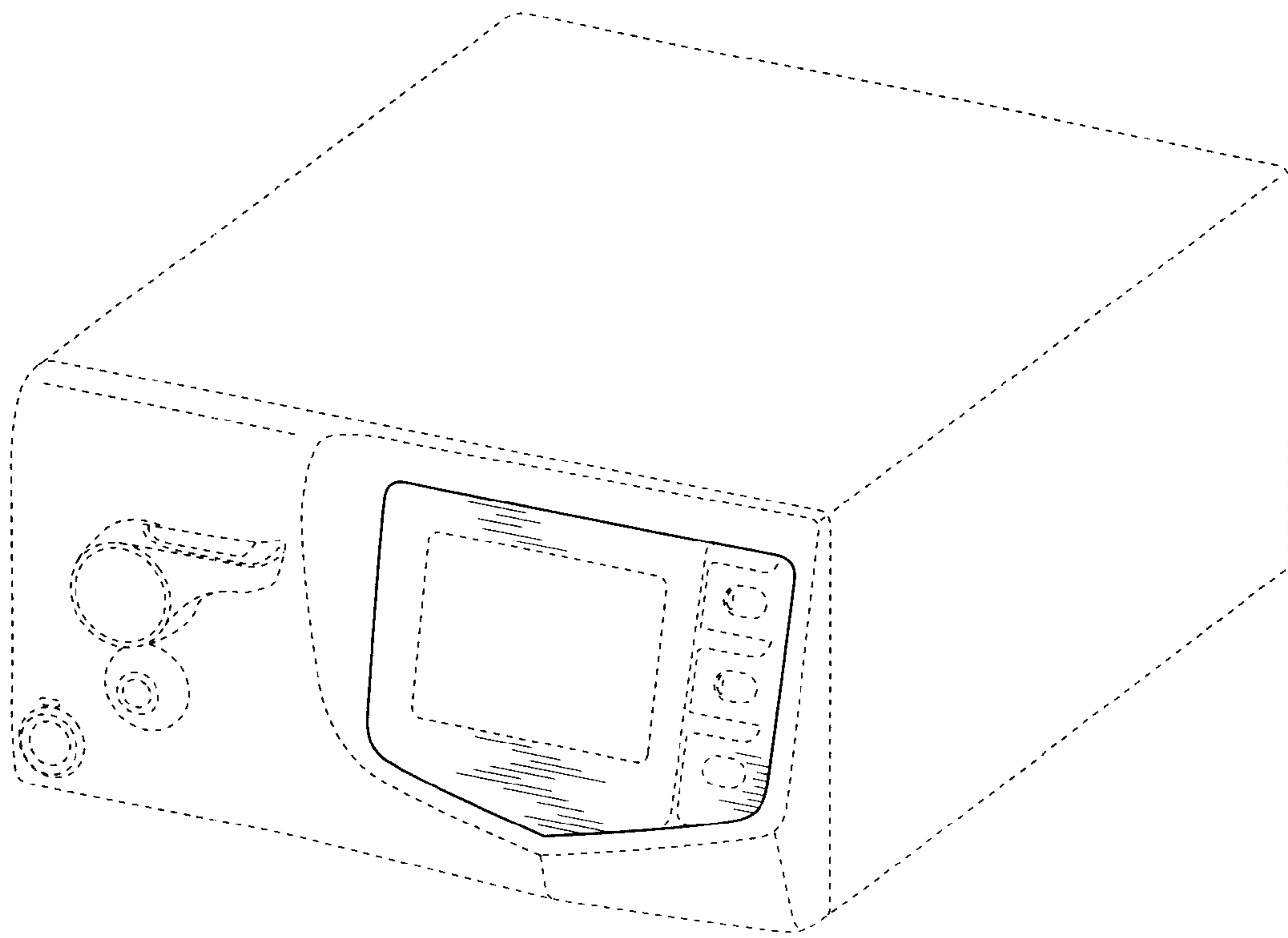


FIG. 2

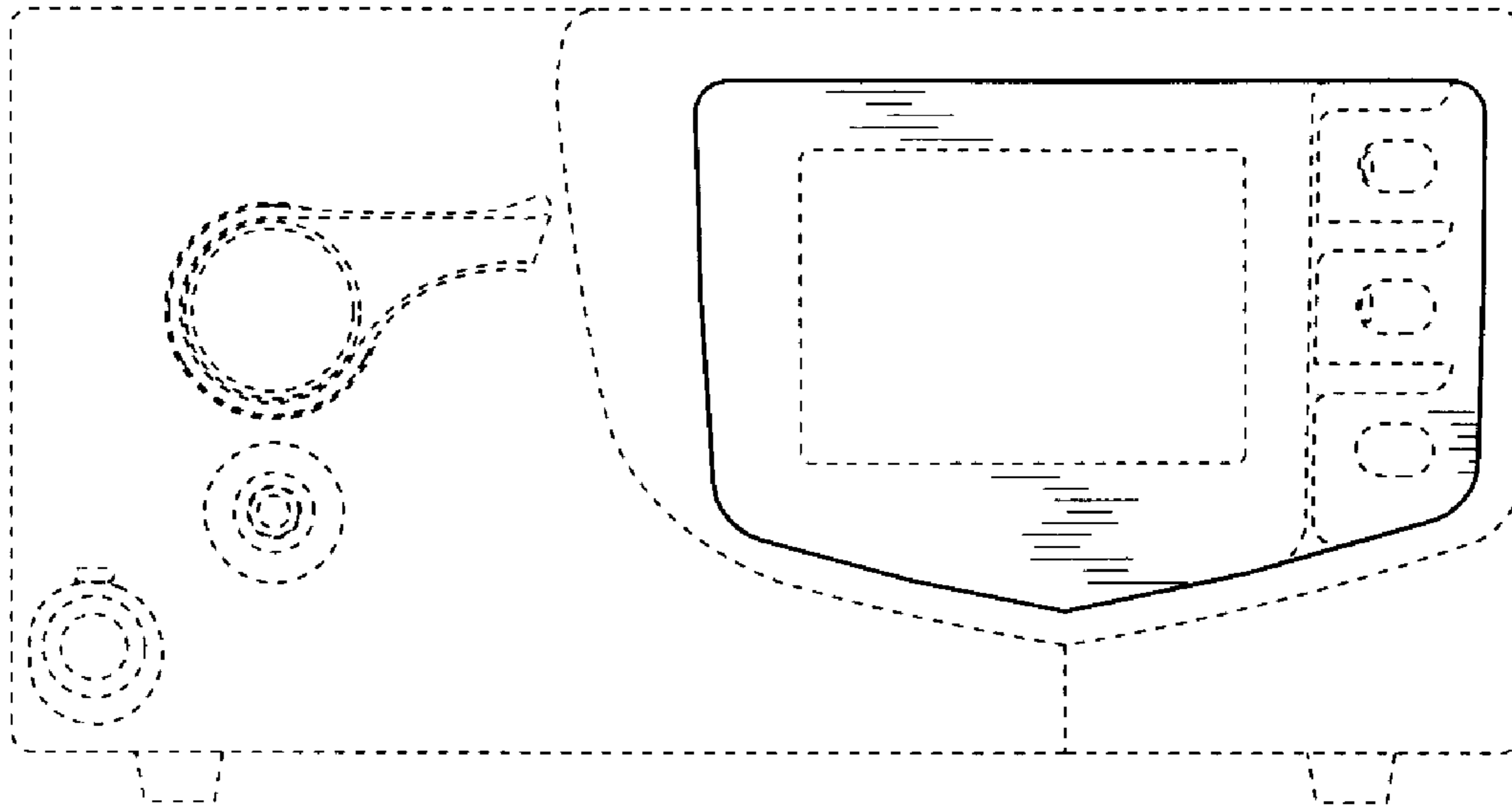


FIG. 3

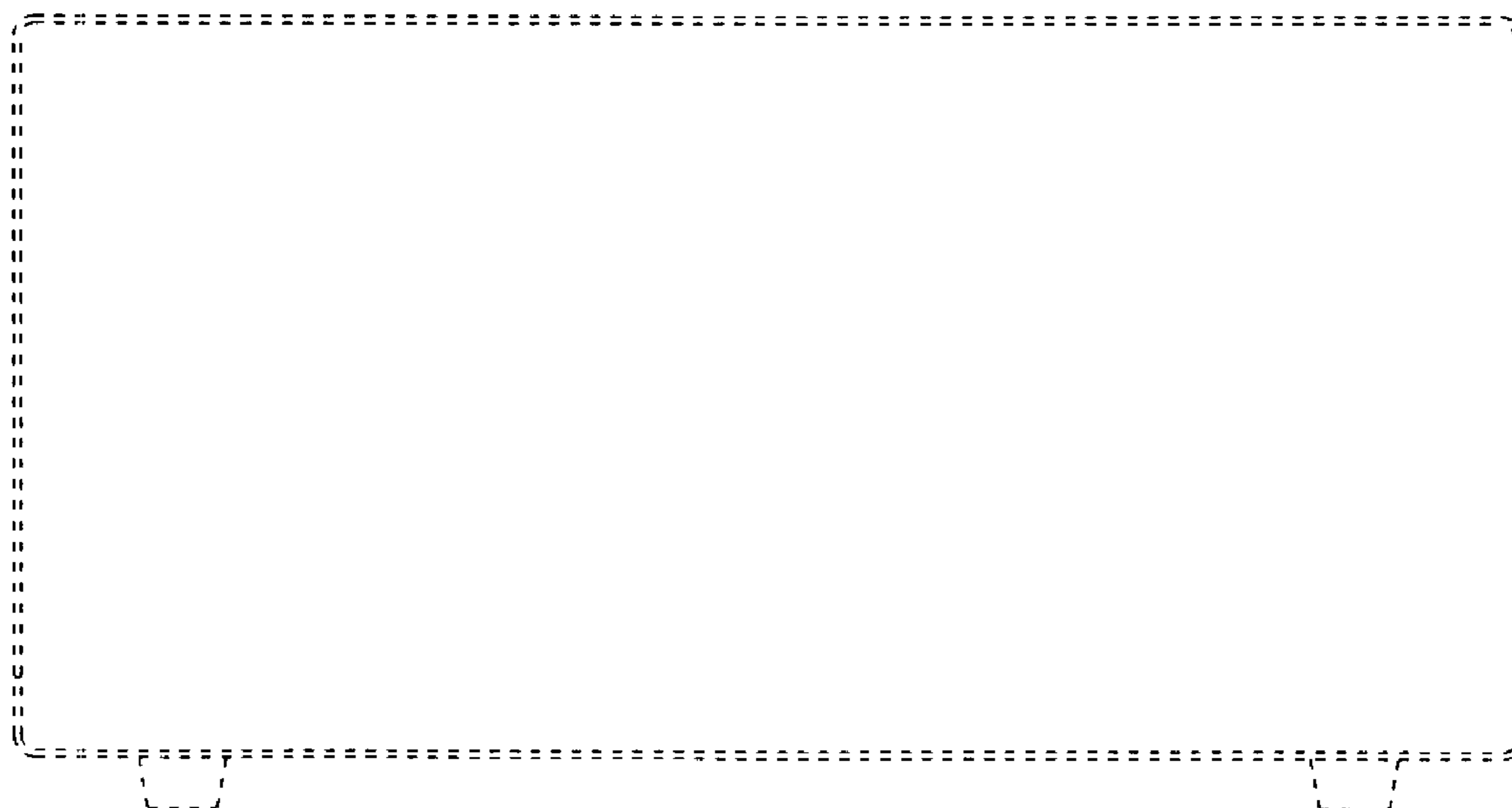


FIG. 4



FIG. 5

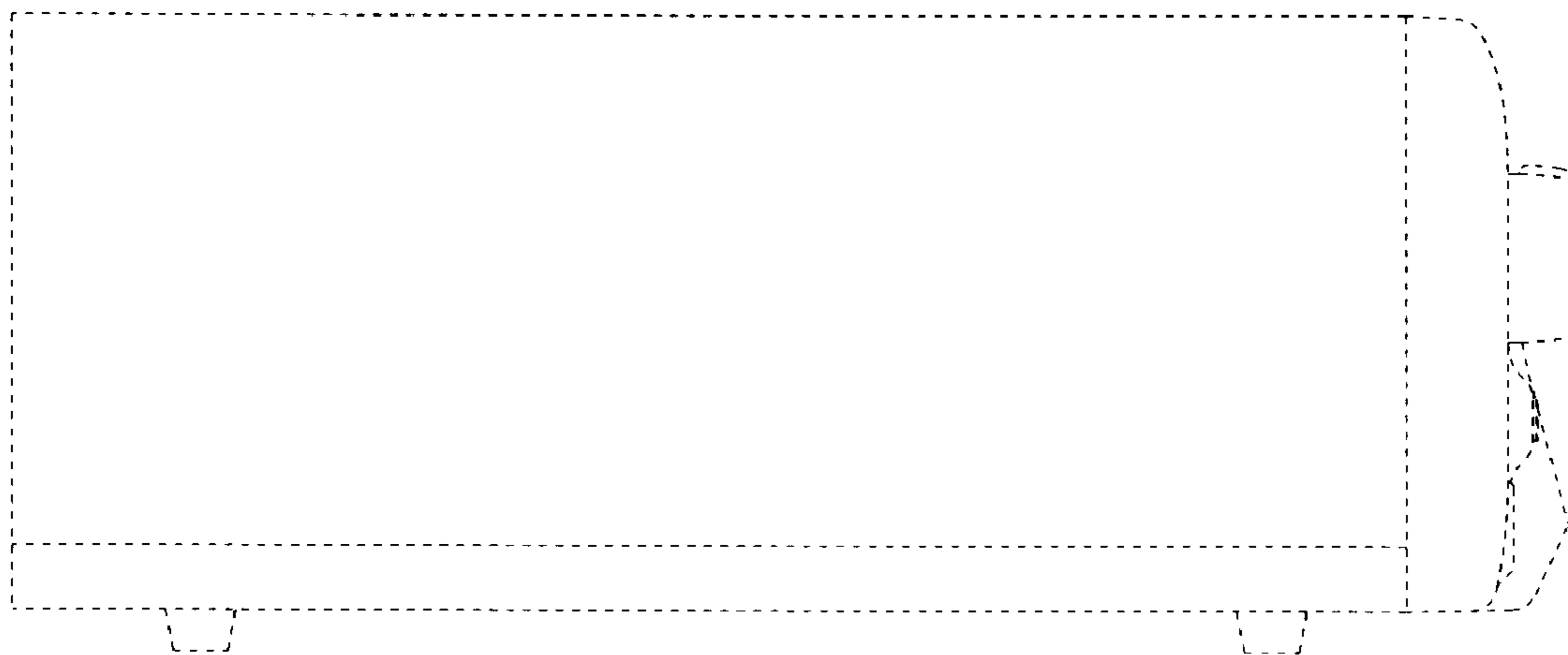


FIG. 6



FIG. 7

