



US00D534273S

(12) **United States Design Patent**  
**Pan**

(10) **Patent No.:** **US D534,273 S**

(45) **Date of Patent:** **\*\* Dec. 26, 2006**

(54) **COMBINED CEILING FAN HOUSING WITH LIGHT KIT AND BLADE IRONS**

D451,592 S \* 12/2001 Dolan ..... D23/411

\* cited by examiner

(75) Inventor: **Peter Pan**, Shetzu (TW)

*Primary Examiner*—Lisa Lichtenstein

(73) Assignee: **Air Cool Industrial Co., Ltd.** (TW)

(74) *Attorney, Agent, or Firm*—Parsons & Goltry; Michael W. Goltry; Robert A. Parsons

(\*\*) Term: **14 Years**

(57) **CLAIM**

(21) Appl. No.: **29/244,981**

The ornamental design for a combined ceiling fan housing with light kit and blade irons, as shown and described.

(22) Filed: **Dec. 16, 2005**

**DESCRIPTION**

(51) **LOC (8) Cl.** ..... **23-04**

(52) **U.S. Cl.** ..... **D23/411**

(58) **Field of Classification Search** ..... D23/411,  
D23/413, 377, 379, 385; 416/5; D26/59,  
D26/72, 81–88, 51

FIG. 1 is a top perspective view of a combined ceiling fan housing with light kit and blade irons showing my new design;

FIG. 2 is bottom perspective view thereof;

FIG. 3 is a top plan view thereof;

FIG. 4 is a bottom plan view thereof; and,

FIG. 5 is a front elevational view thereof, the rear elevational view, the left side elevational view, and the right side elevational view being substantially the same thereof.

See application file for complete search history.

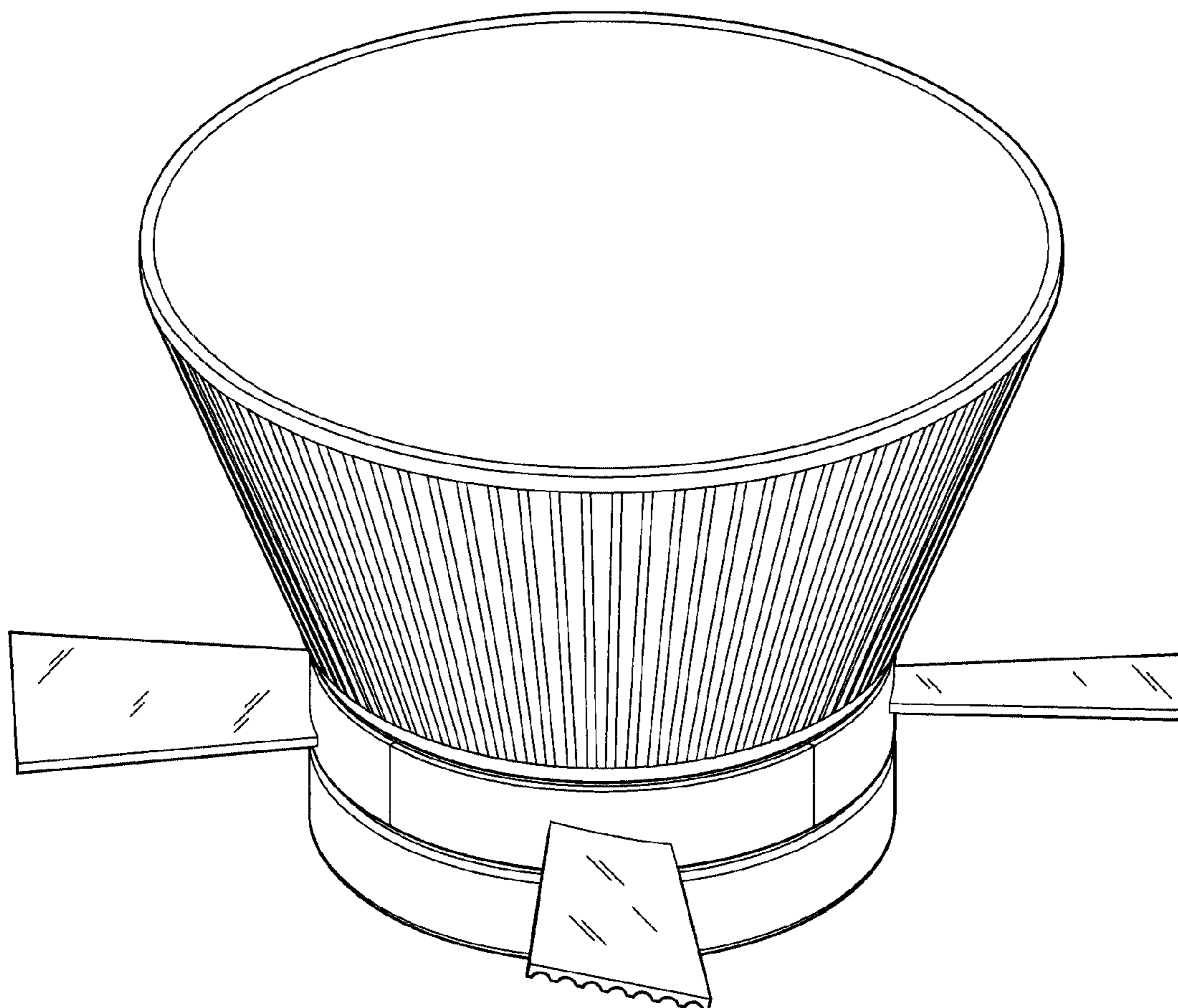
(56) **References Cited**

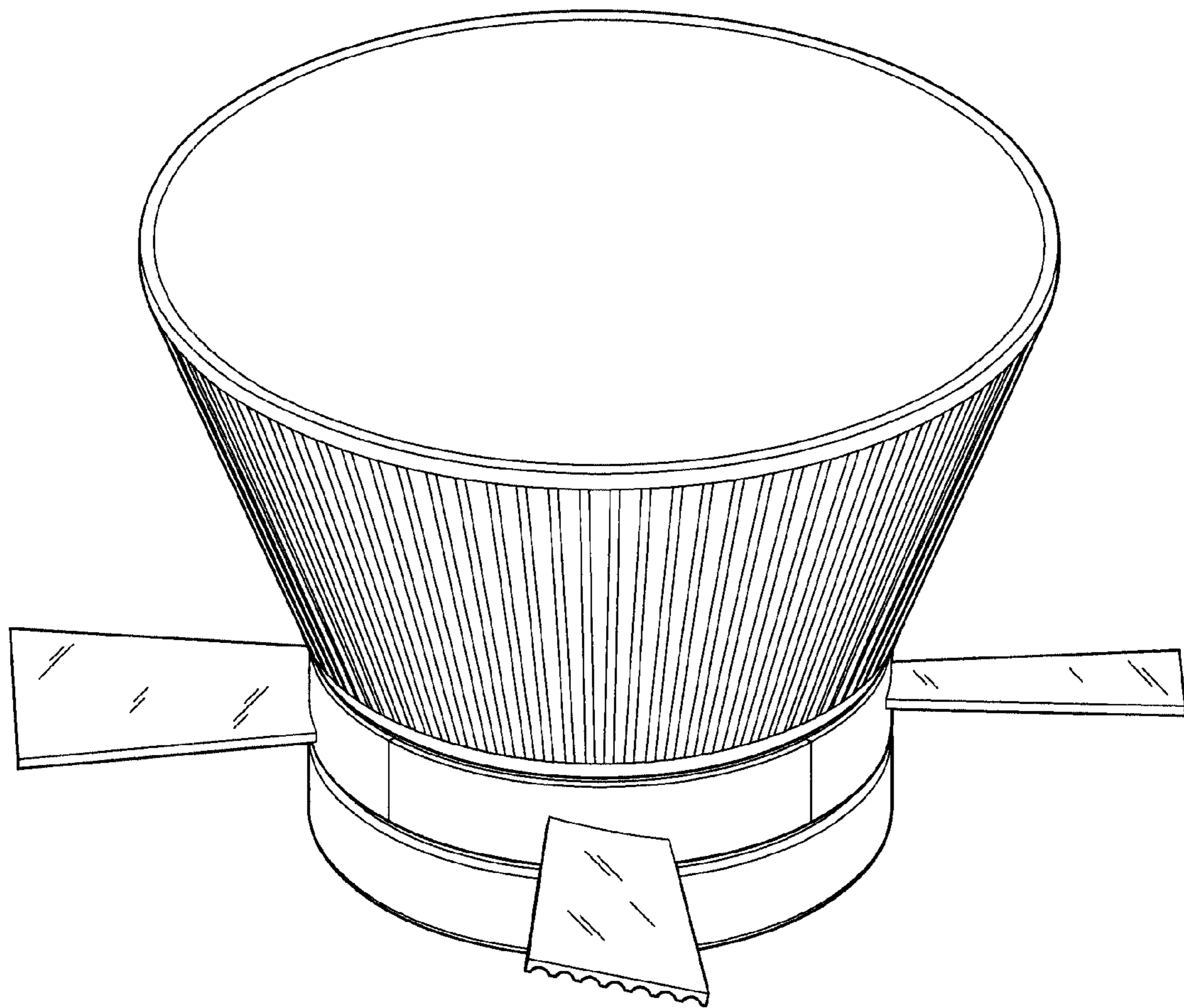
**U.S. PATENT DOCUMENTS**

D424,189 S \* 5/2000 Johnson ..... D23/411

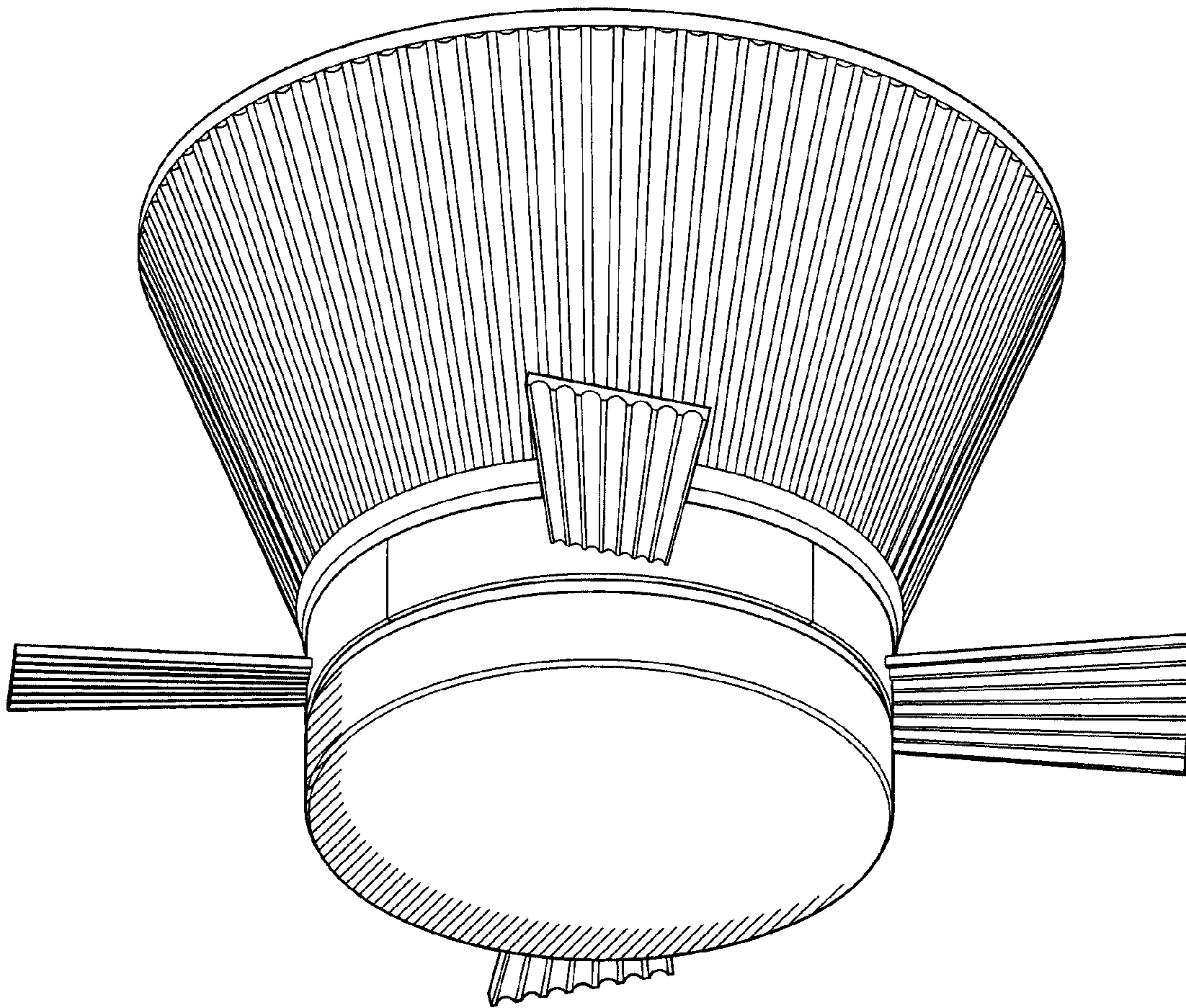
D435,643 S \* 12/2000 Williams ..... D23/377

**1 Claim, 5 Drawing Sheets**

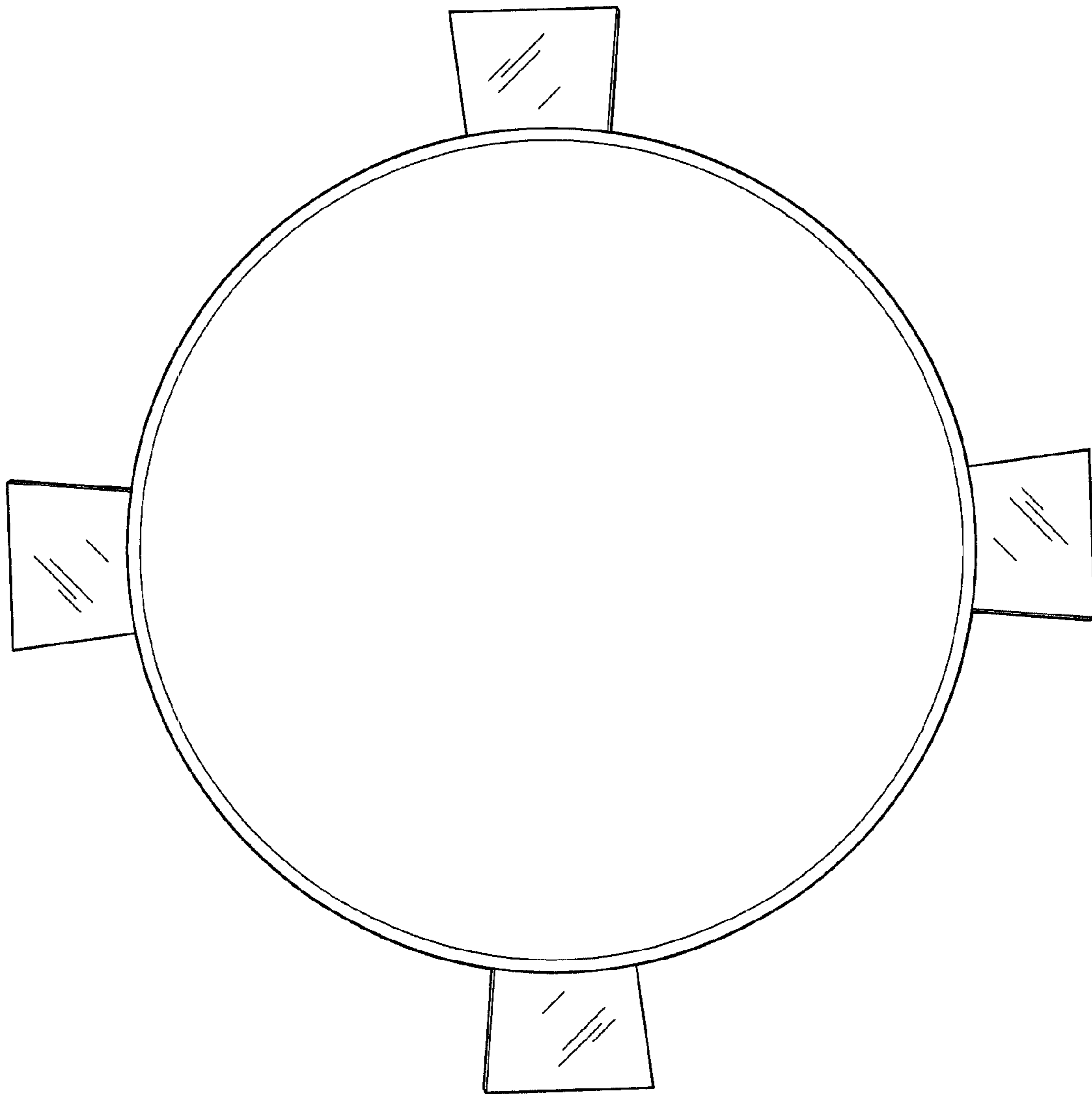




**FIG. 1**

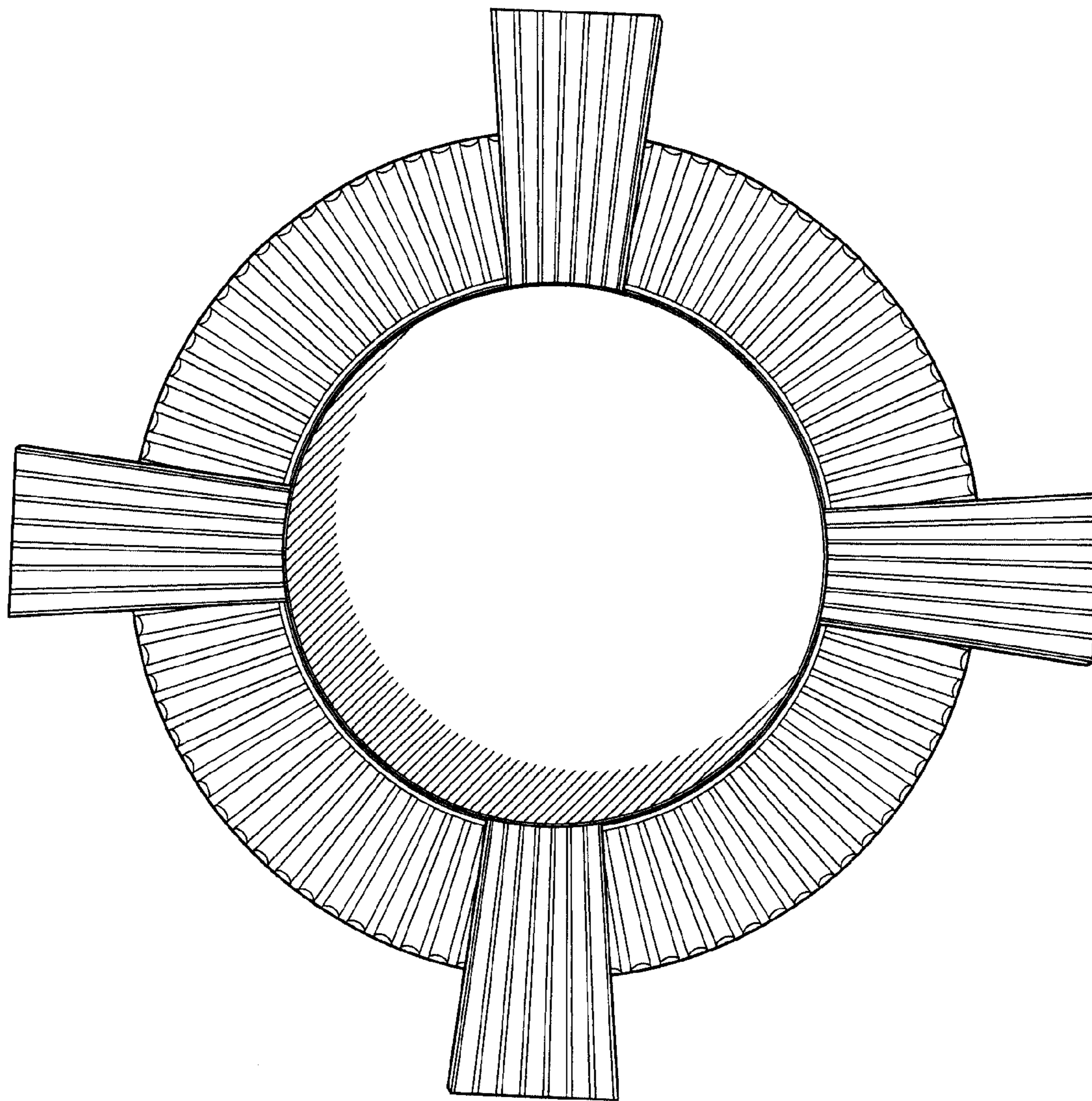


**FIG. 2**

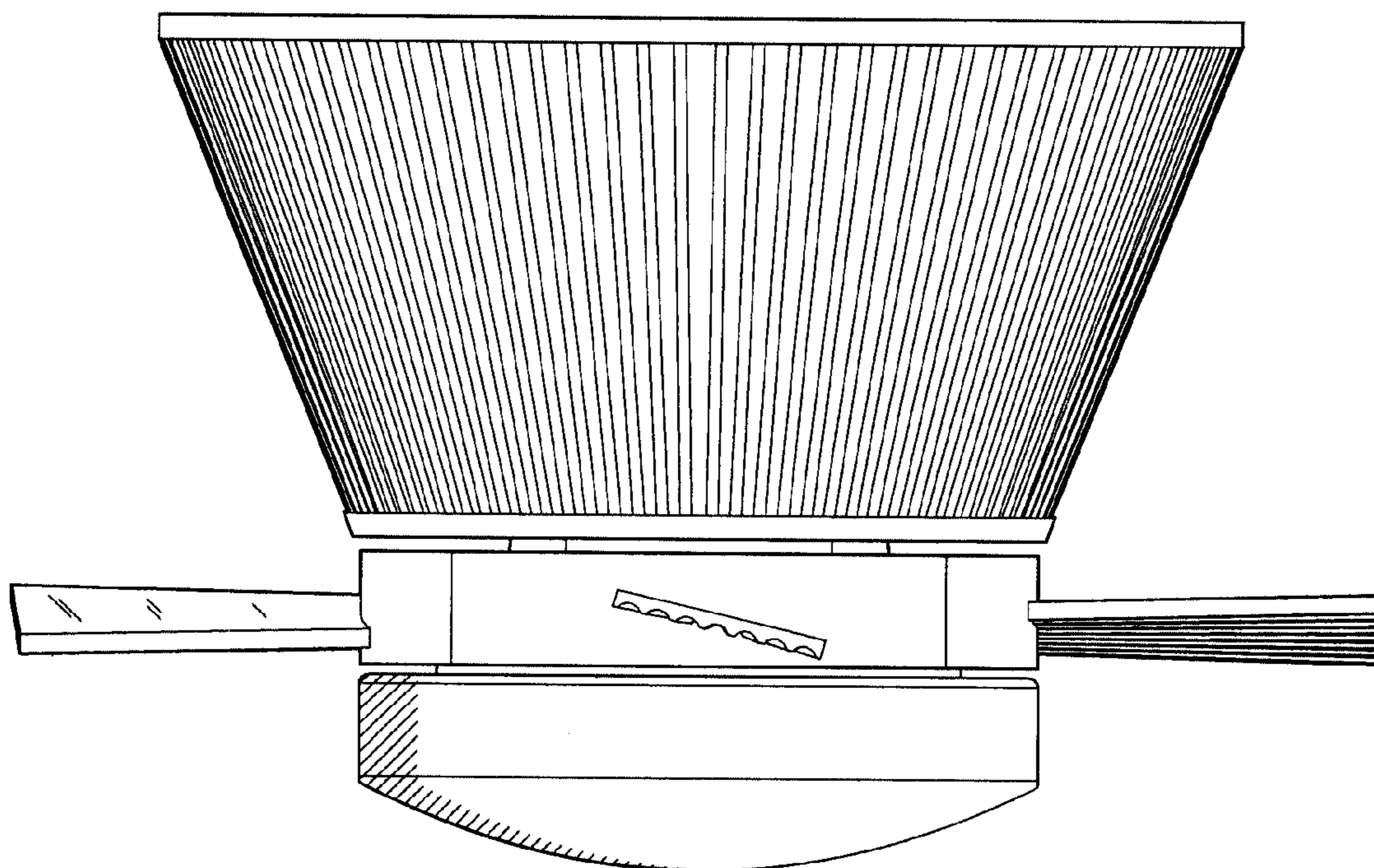


**FIG. 3**





**FIG. 4**



**FIG. 5**