



US00D534269S

(12) **United States Design Patent**
Liang

(10) **Patent No.:** **US D534,269 S**

(45) **Date of Patent:** **** Dec. 26, 2006**

(54) **BLOWER**

D510,995 S * 10/2005 Tam D23/383

(75) Inventor: **Hesheng Liang**, Zhong Shan (CN)

* cited by examiner

(73) Assignee: **Sun Pleasure Company Ltd.**, Hong Kong (HK)

Primary Examiner—Lisa Lichtenstein

(74) *Attorney, Agent, or Firm*—Raymond Sun

(**) Term: **14 Years**

(57) **CLAIM**

The ornamental design for a blower, as shown and described.

(21) Appl. No.: **29/260,039**

(22) Filed: **May 18, 2006**

DESCRIPTION

(51) **LOC (8) Cl.** **23-04**

FIG. 1 is a perspective view of a blower showing my new design.

(52) **U.S. Cl.** **D23/383**

FIG. 2 is a top plan view of the blower of FIG. 1.

(58) **Field of Classification Search** D23/383,

FIG. 3 is a front plan view of the blower of FIG. 1.

D23/370; 415/204, 206, 213.1, 214.1

FIG. 4 is a rear plan view of the blower of FIG. 1.

See application file for complete search history.

FIG. 5 is a left plan view of the blower of FIG. 1; and,

FIG. 6 is a right side plan view of the blower of FIG. 1.

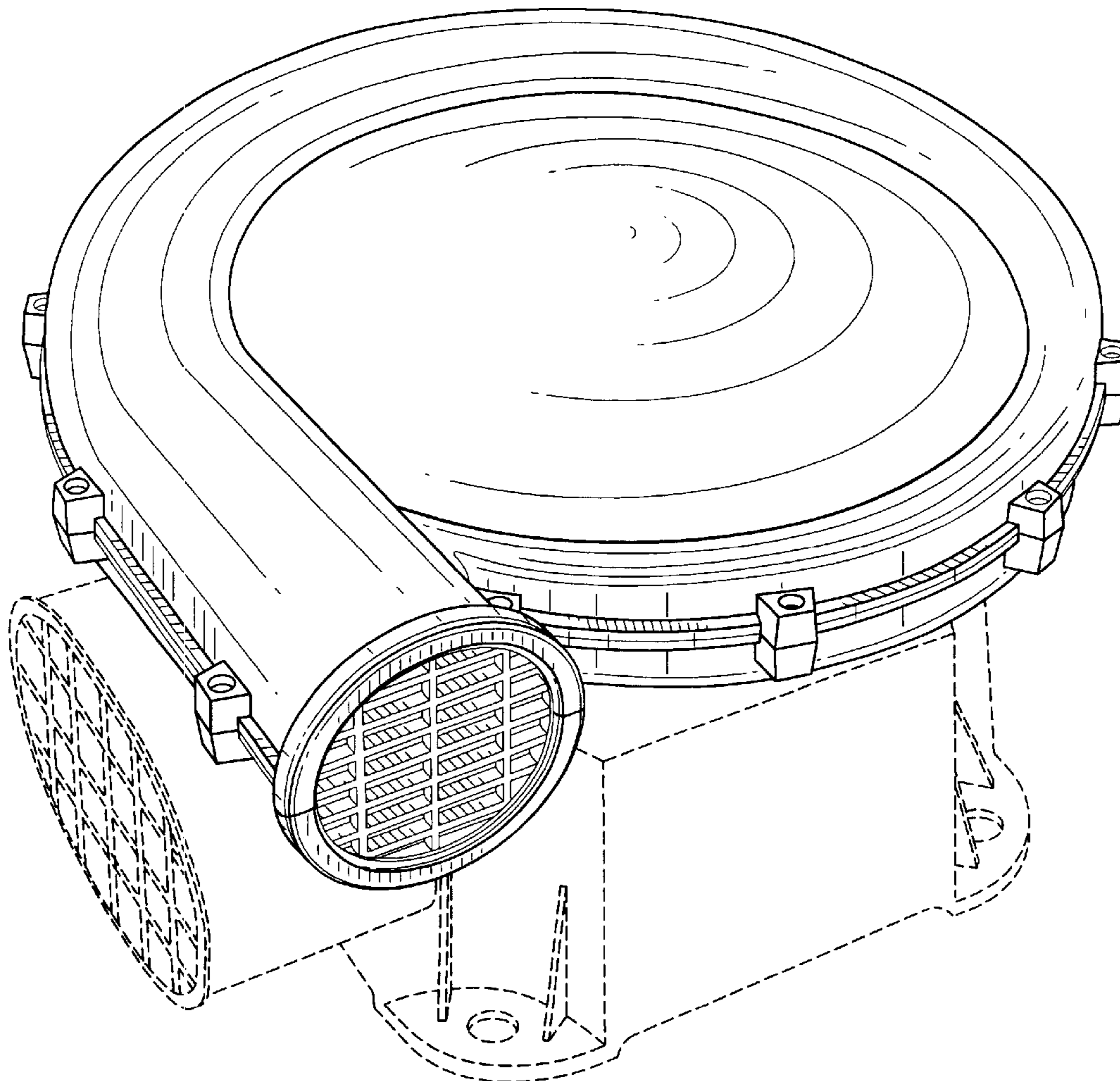
The broken lines are for illustrative purposes only and form no part of the claimed design.

(56) **References Cited**

U.S. PATENT DOCUMENTS

D481,116 S * 10/2003 Wang et al. D23/383

1 Claim, 6 Drawing Sheets



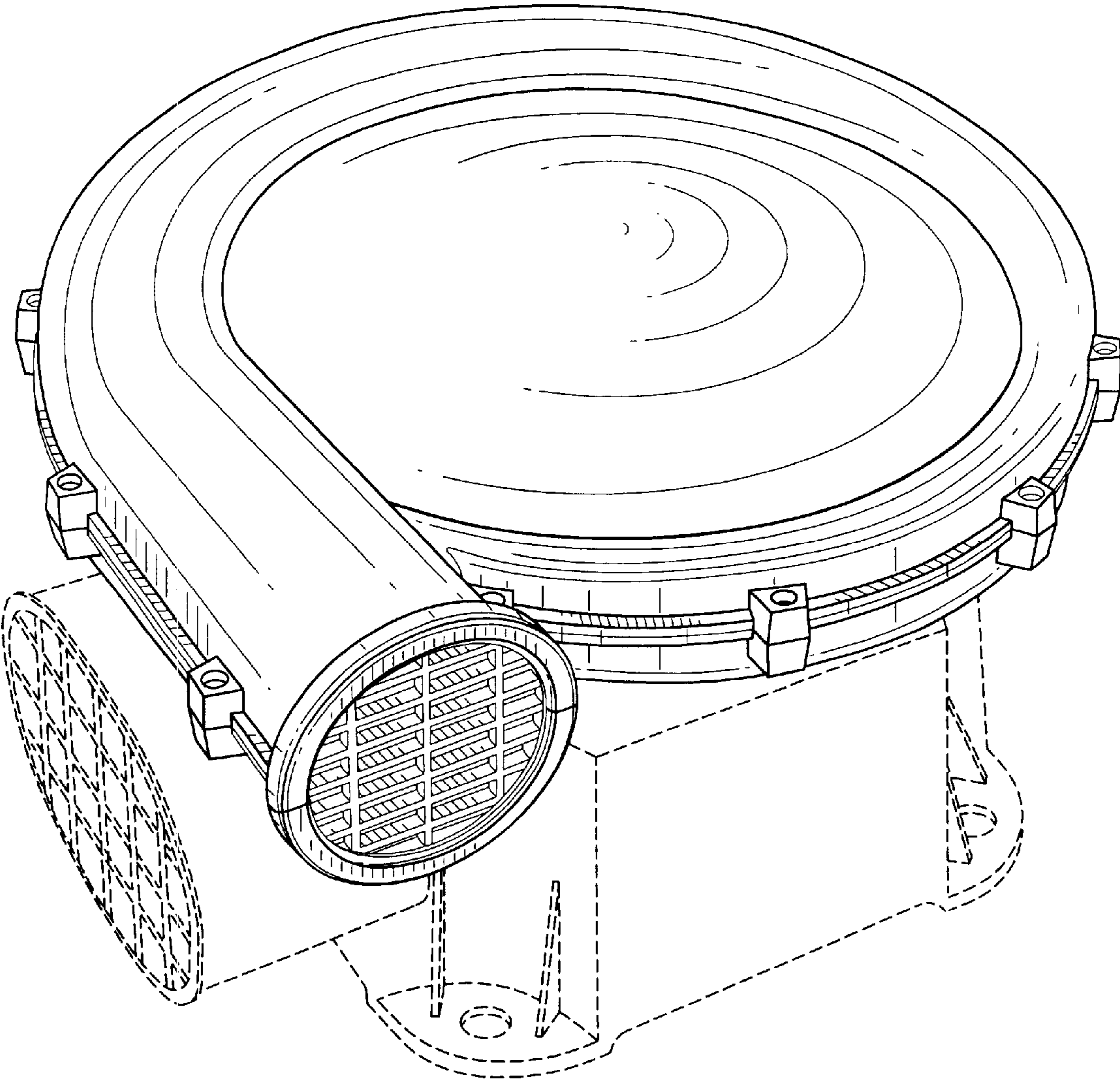


FIG. 1

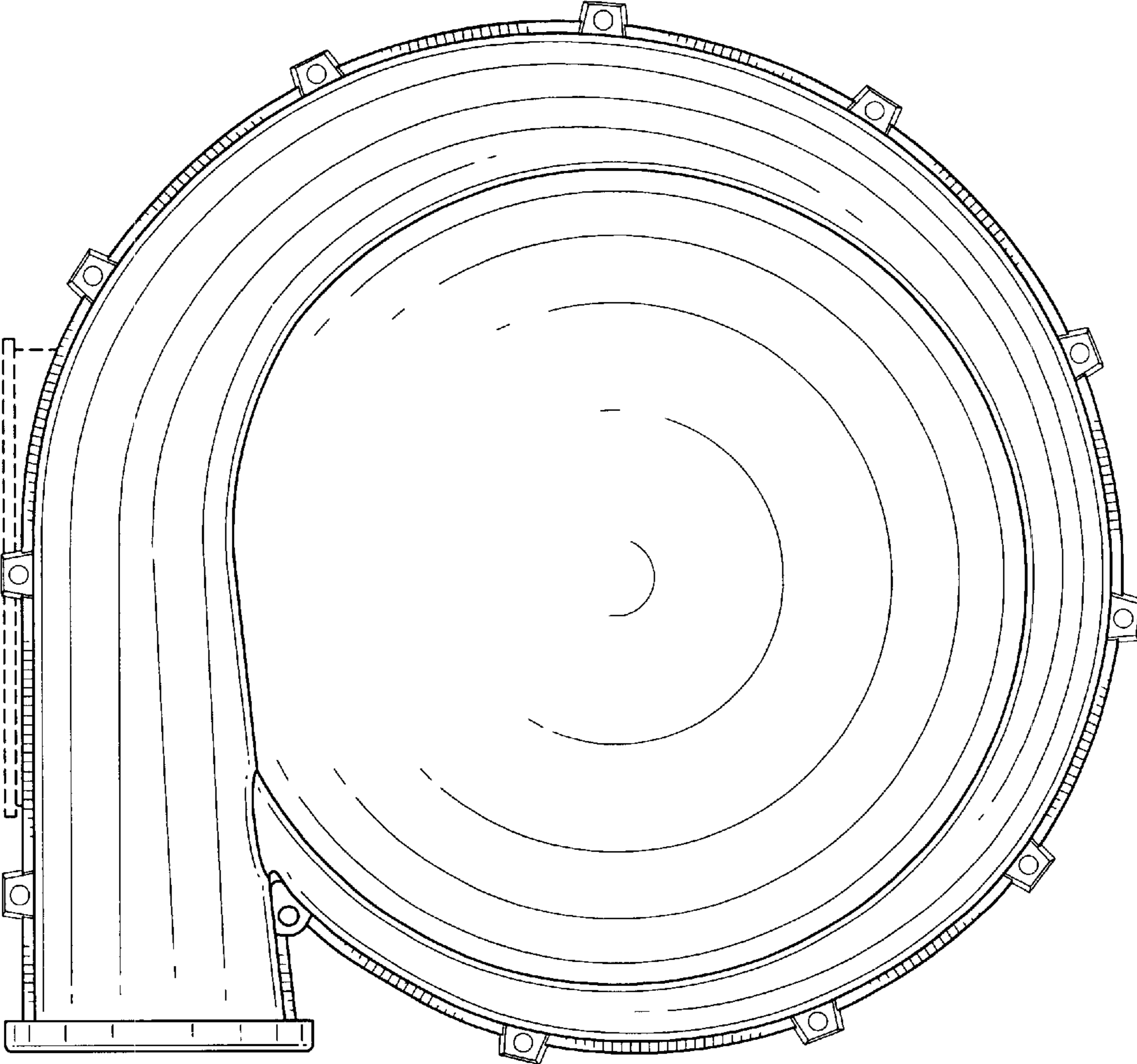


FIG.2

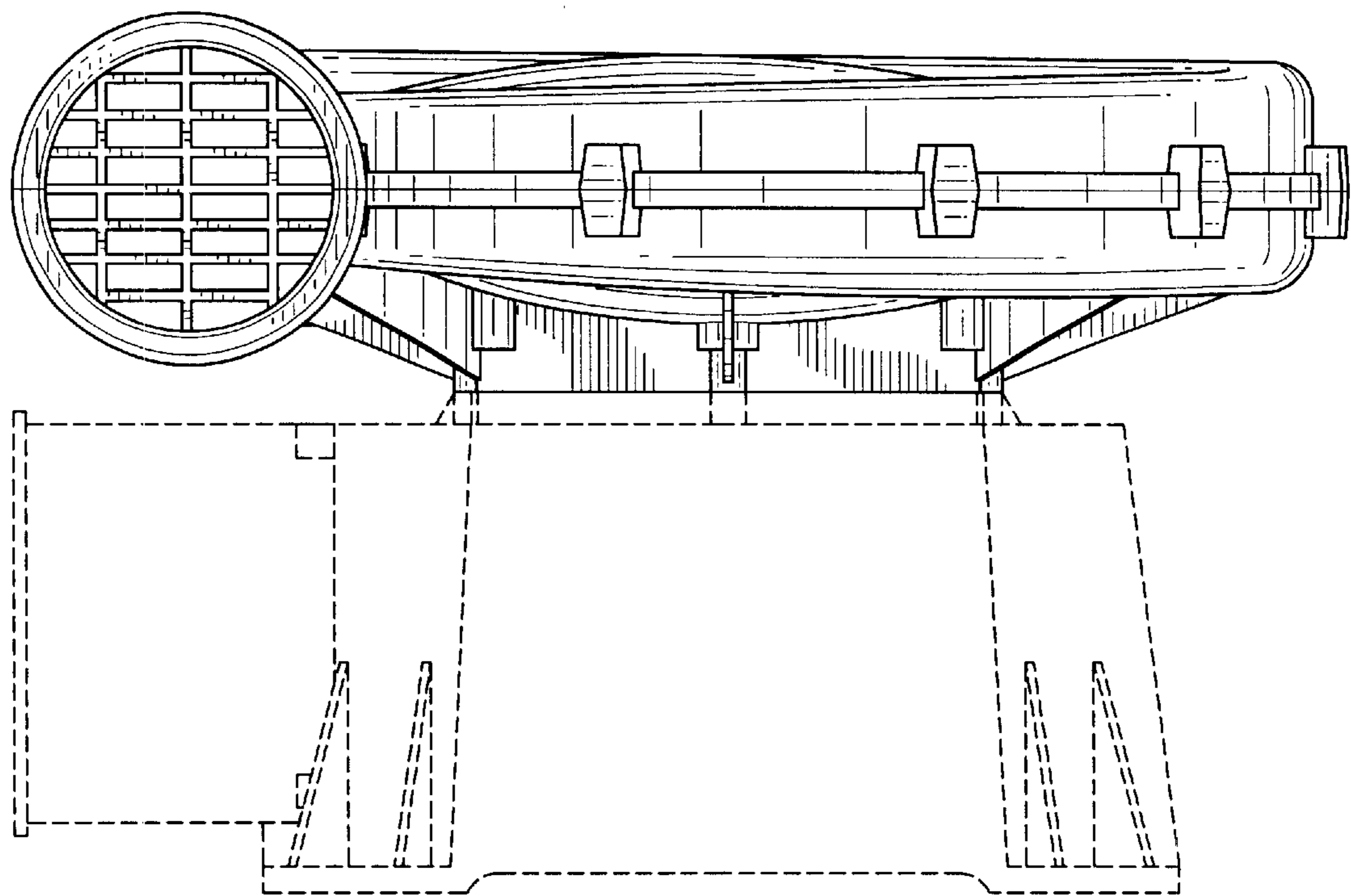


FIG.3

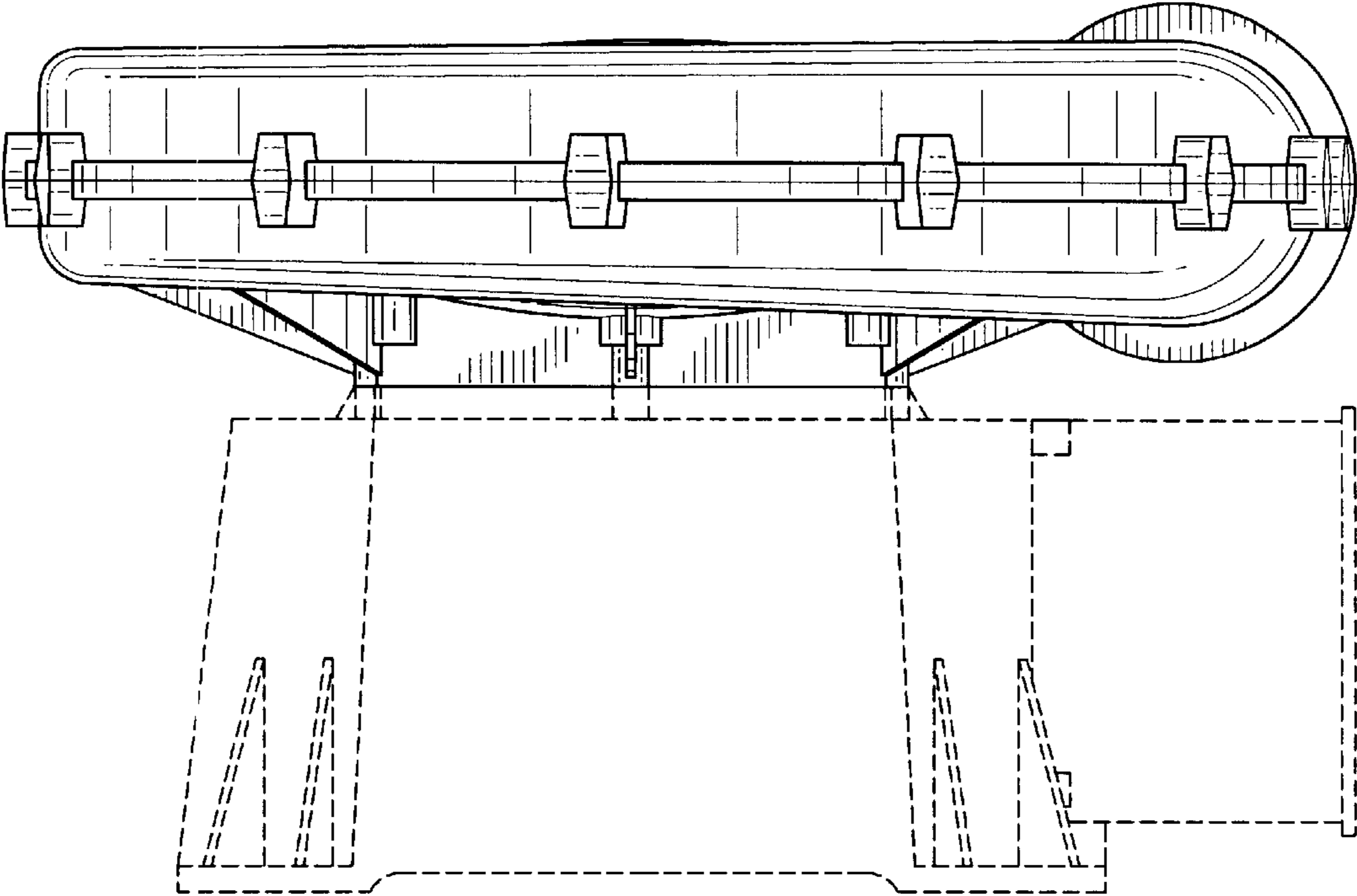


FIG.4

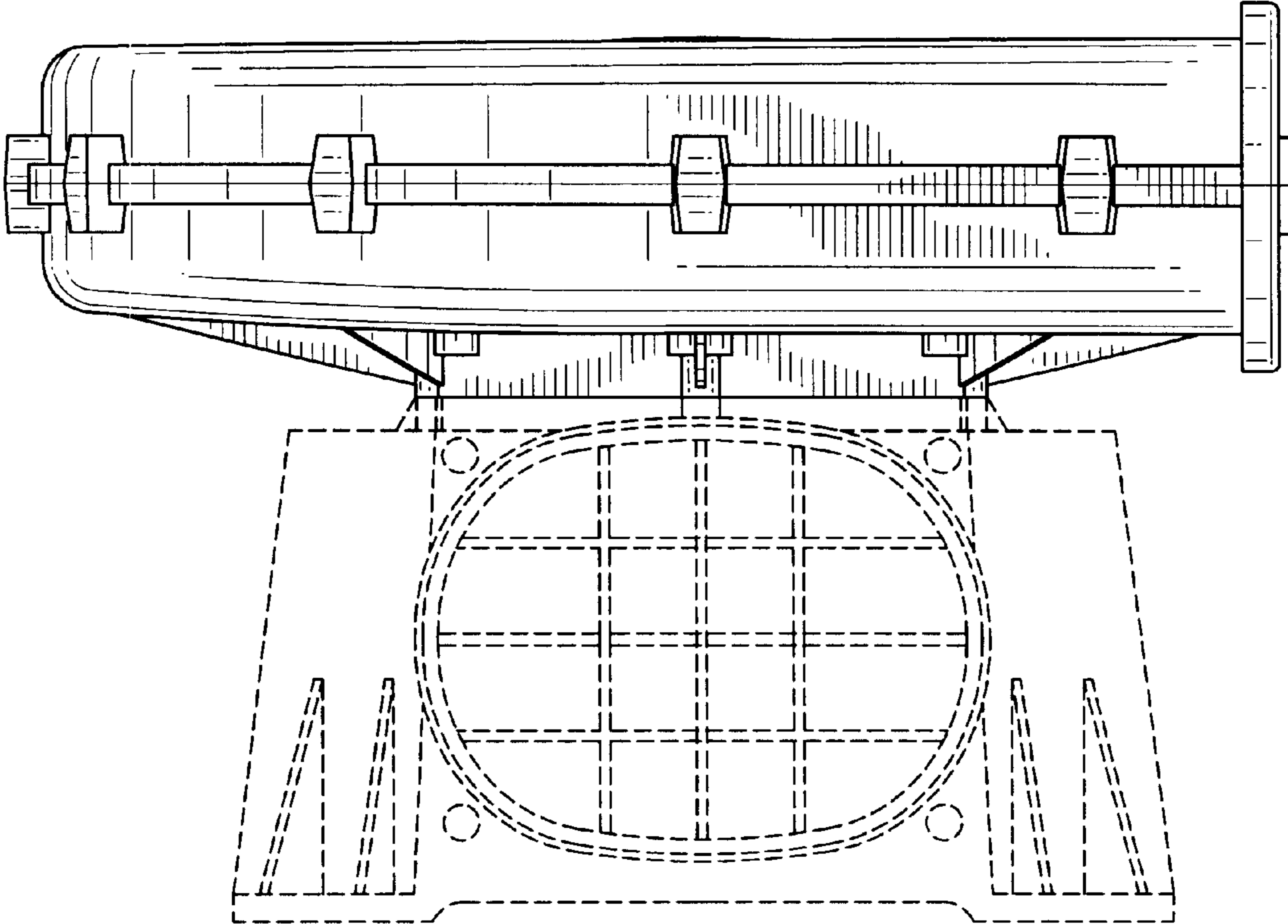


FIG.5

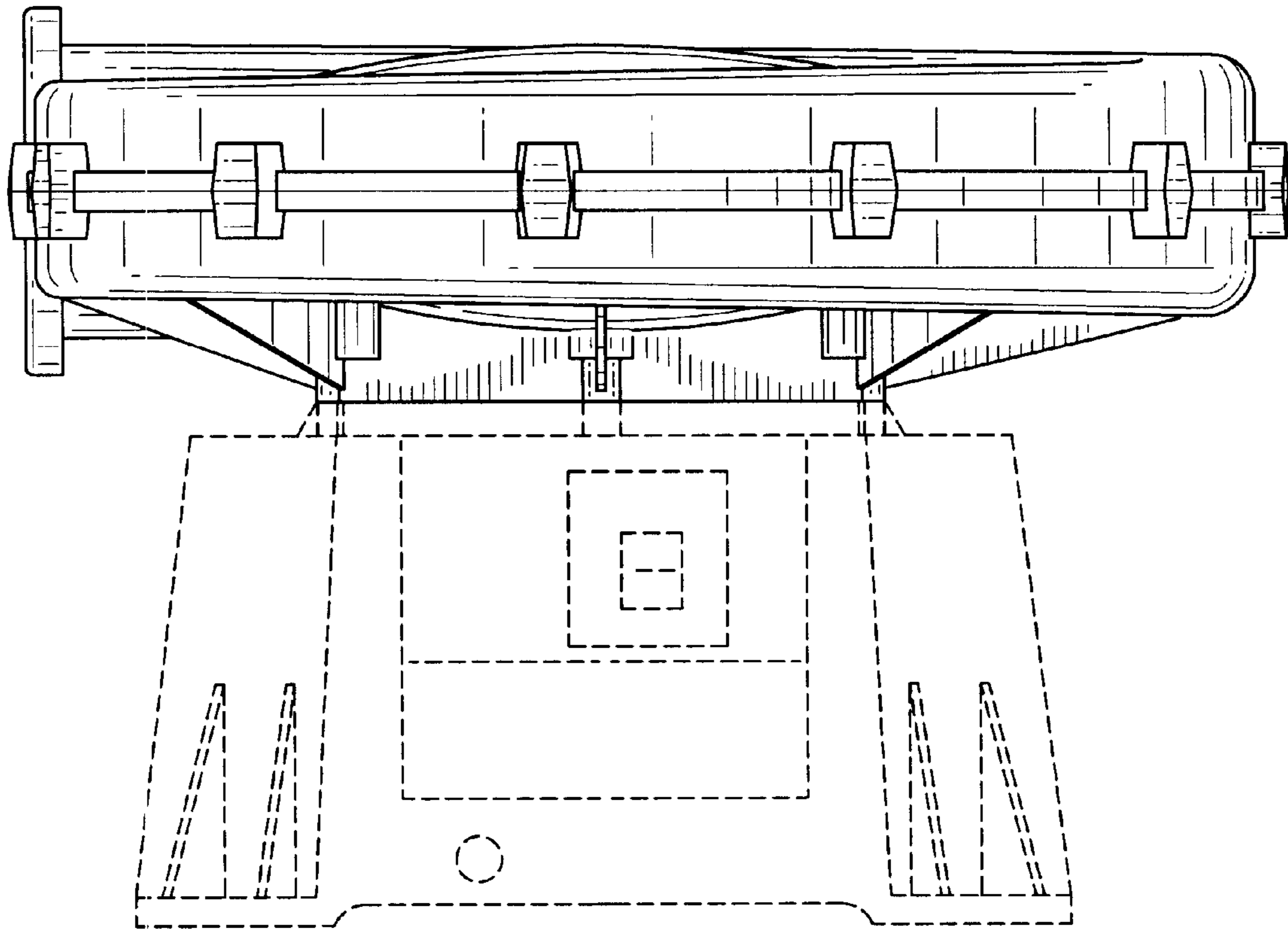


FIG. 6