



US00D534267S

(12) **United States Design Patent**  
**Andersen et al.**

(10) **Patent No.:** **US D534,267 S**

(45) **Date of Patent:** **\*\* Dec. 26, 2006**

(54) **FAN MODULE**

6,535,384 B1 \* 3/2003 Huang ..... 361/695  
6,717,799 B1 \* 4/2004 Hamano et al. .... 361/681

(75) Inventors: **David T. Andersen**, Des Plaines, IL (US); **David M. Frendreiss**, Algonquin, IL (US); **James W. Turocy**, Arlington Heights, IL (US); **Robert B. Widmayer**, Harvard, IL (US)

\* cited by examiner

*Primary Examiner*—Lisa Lichtenstein  
(74) *Attorney, Agent, or Firm*—Valerie M. Davis

(73) Assignee: **Motorola, Inc.**, Schaumburg, IL (US)

(\*\*) Term: **14 Years**

(57) **CLAIM**

The ornamental design for a fan module, as shown and described.

(21) Appl. No.: **29/226,688**

(22) Filed: **Mar. 31, 2005**

(51) **LOC (8) Cl.** ..... **23-04**

(52) **U.S. Cl.** ..... **D23/370**

(58) **Field of Classification Search** ..... D23/370,  
D23/380; 361/697, 695; 165/80.3

See application file for complete search history.

**DESCRIPTION**

FIG. 1 is a front, top, right perspective view of the fan module showing our new design;  
FIG. 2 is a front view thereof;  
FIG. 3 is a back view thereof;  
FIG. 4 is a top view thereof;  
FIG. 5 is a bottom view thereof;  
FIG. 6 is a left view thereof; and,  
FIG. 7 is a right view thereof.

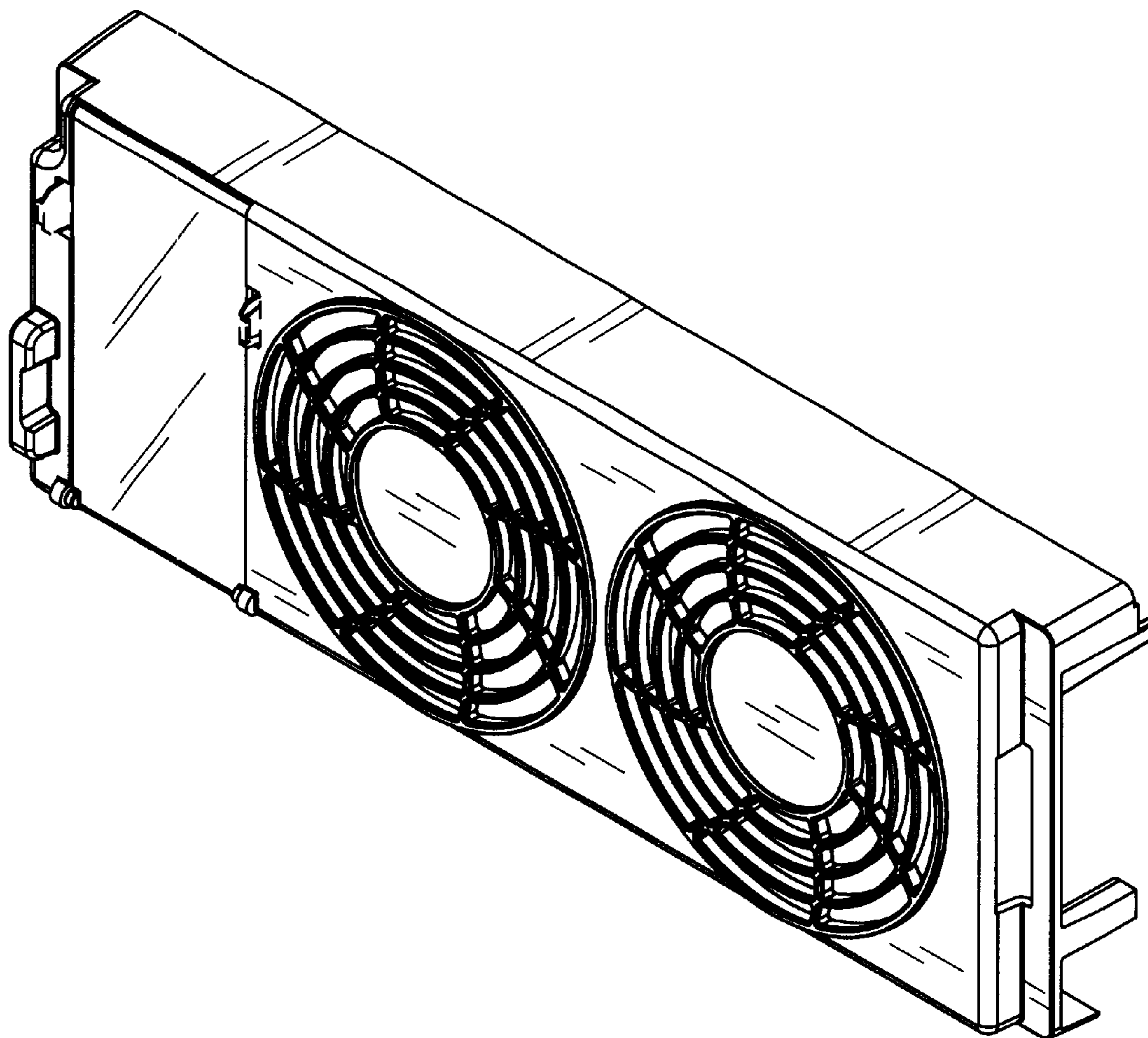
The broken lines shown in FIGS. 1–3 and 5–7 are included for the purpose of illustrating environmental elements only and form no part of the claimed design.

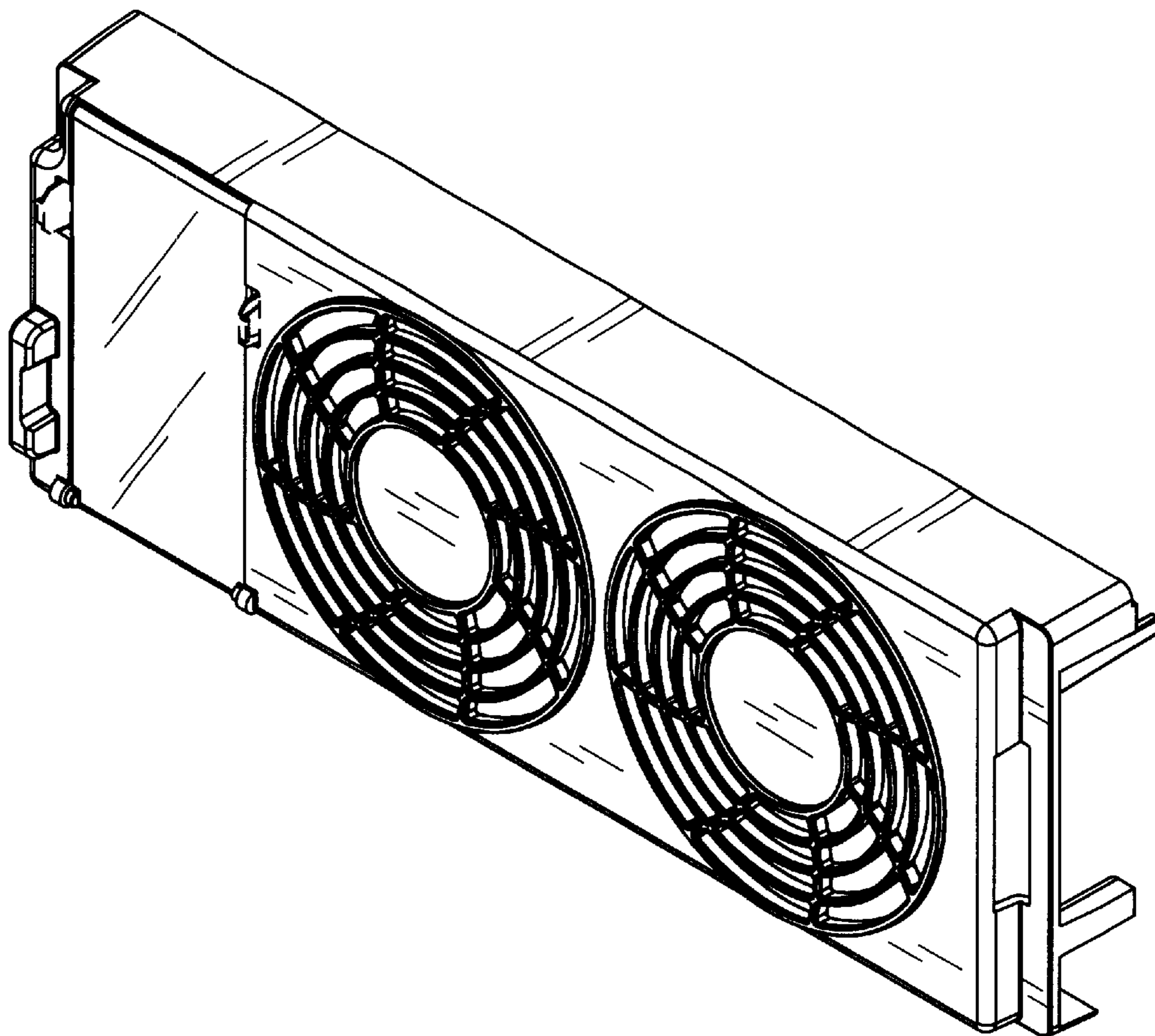
(56) **References Cited**

**U.S. PATENT DOCUMENTS**

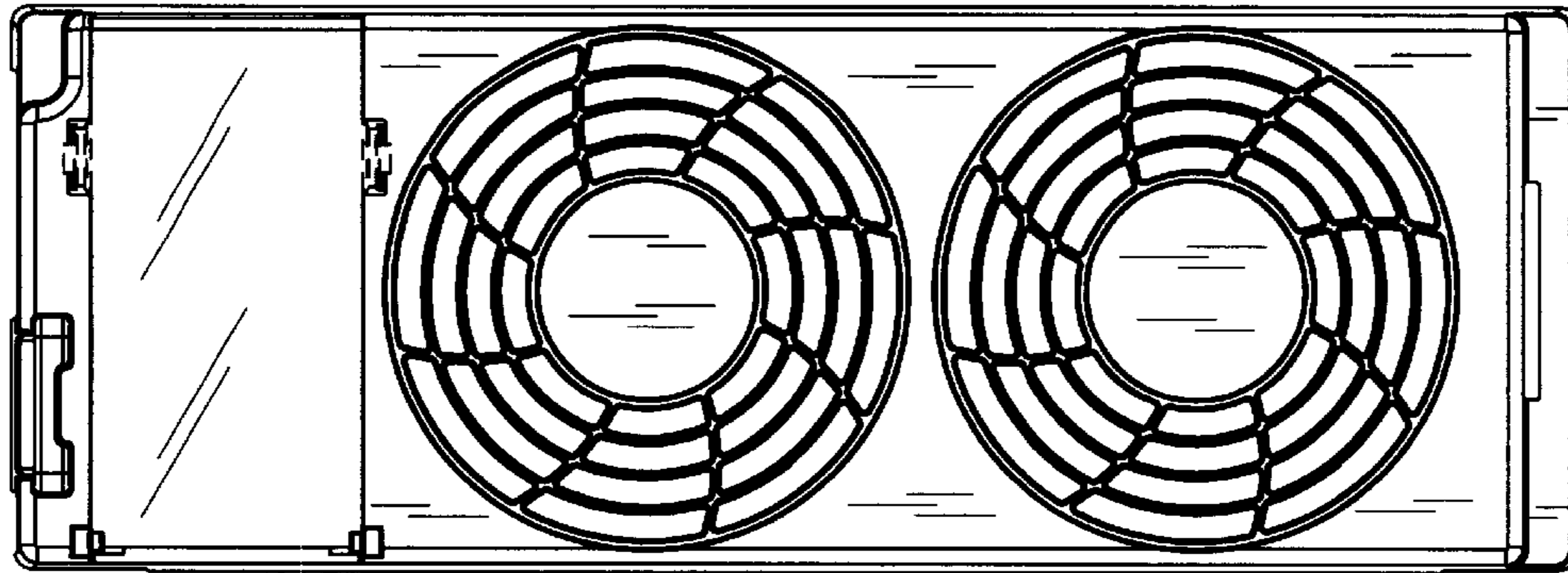
6,435,889 B1 \* 8/2002 Vinson et al. .... 439/247

**1 Claim, 3 Drawing Sheets**

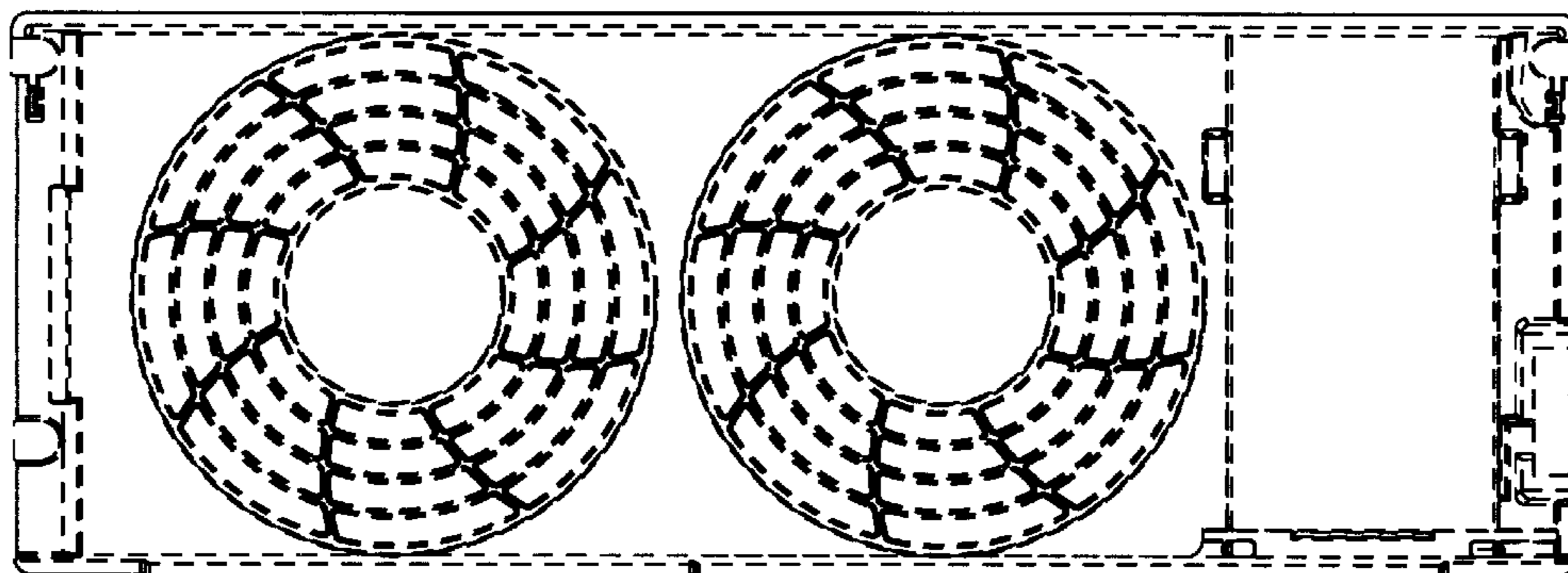




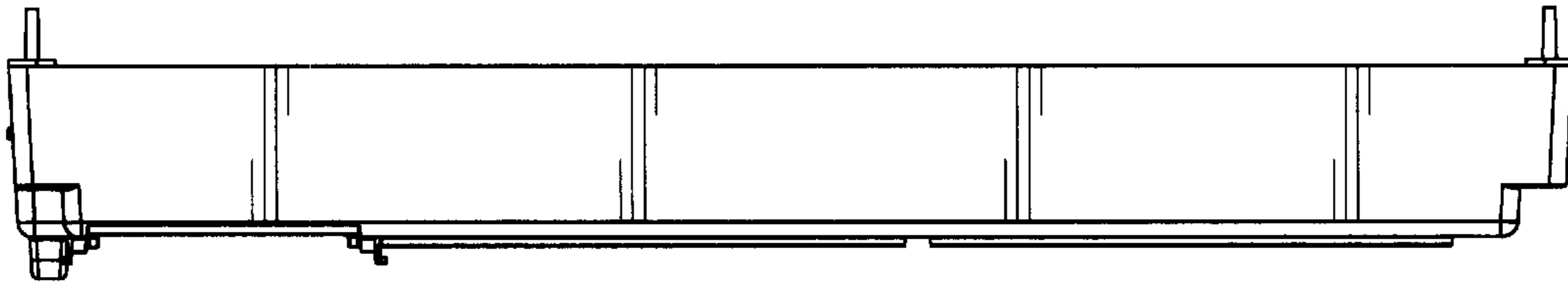
*FIG. 1*



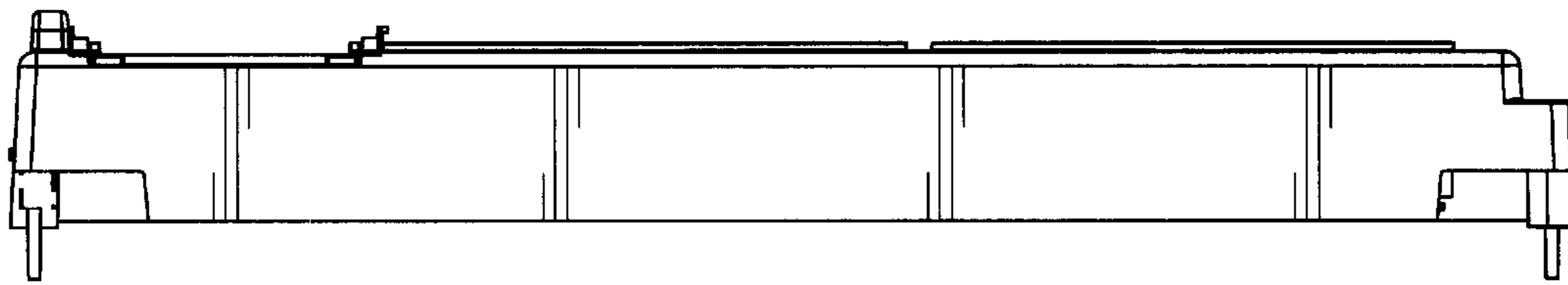
*FIG. 2*



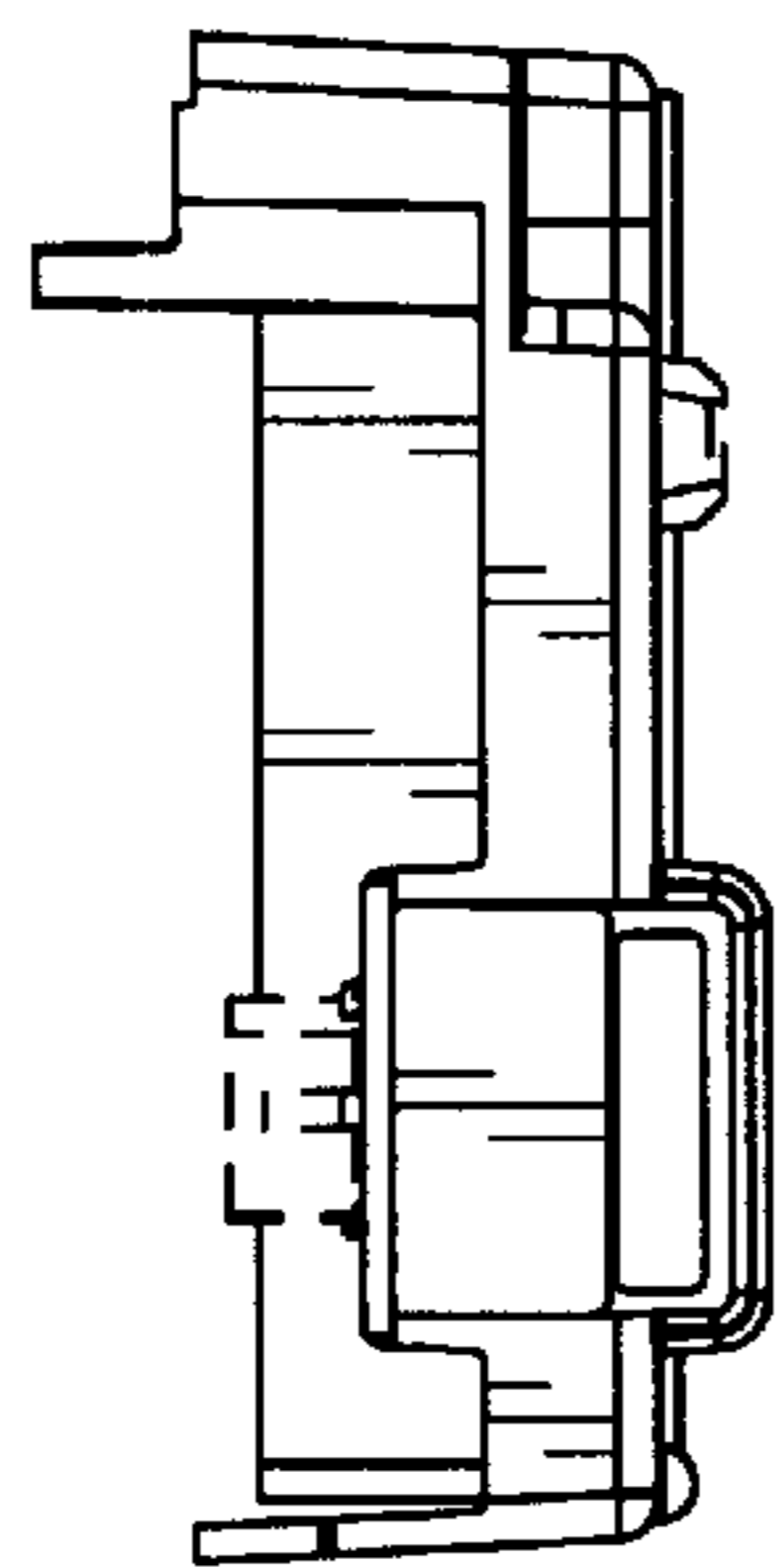
*FIG. 3*



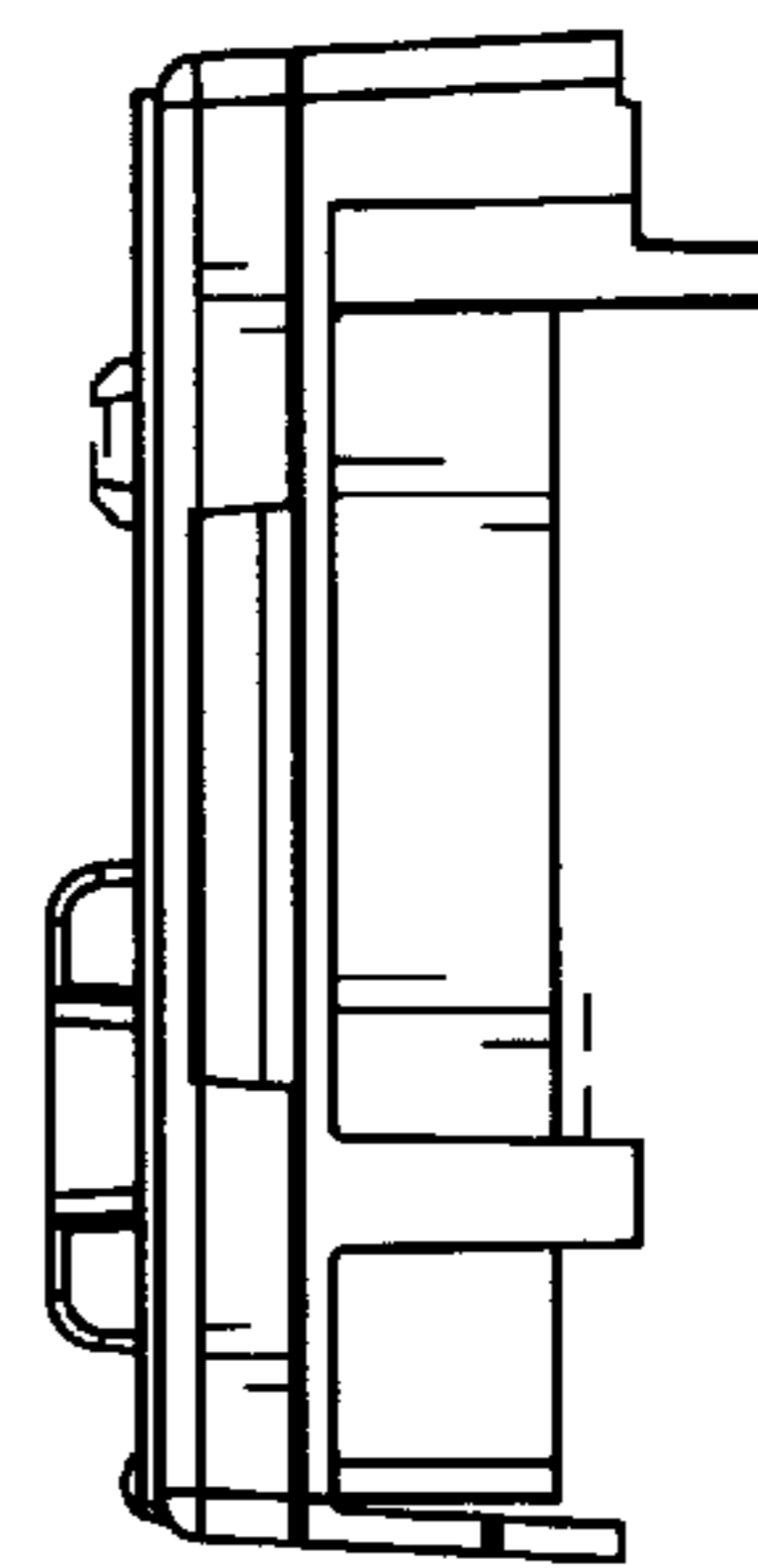
*FIG. 4*



*FIG. 5*



*FIG. 6*



*FIG. 7*