



US00D534266S

(12) **United States Design Patent** (10) **Patent No.:** **US D534,266 S**
Watanabe et al. (45) **Date of Patent:** **** Dec. 26, 2006**

(54) **FAN**

(75) Inventors: **Jiro Watanabe**, Nagano (JP); **Daisaku Furihata**, Nagano (JP); **Toshiyuki Nakamura**, Nagano (JP); **Kenji Hirose**, Nagano (JP)

(73) Assignee: **Sanyo Denki Co., Ltd.**, Tokyo (JP)

(**) **Term:** **14 Years**

(21) **Appl. No.:** **29/204,484**

(22) **Filed:** **Apr. 29, 2004**

(30) **Foreign Application Priority Data**

Oct. 31, 2003 (JP) 2003-032306

(51) **LOC (8) Cl.** **23-04**

(52) **U.S. Cl.** **D23/370**

(58) **Field of Classification Search** D23/370,
D23/411, 379; 415/176-178, 211.2; 361/697,
361/695

See application file for complete search history.

(56) **References Cited**

U.S. PATENT DOCUMENTS

D297,761 S 9/1988 Shiraki
D450,378 S 11/2001 Minakuchi et al.
D492,986 S 7/2004 Chiu et al.
D507,639 S * 7/2005 Chiu et al. D23/370

FOREIGN PATENT DOCUMENTS

JP 1135788 1/2002

* cited by examiner

Primary Examiner—Lisa Lichtenstein
(74) *Attorney, Agent, or Firm*—Rankin, Hill, Porter & Clark LLP

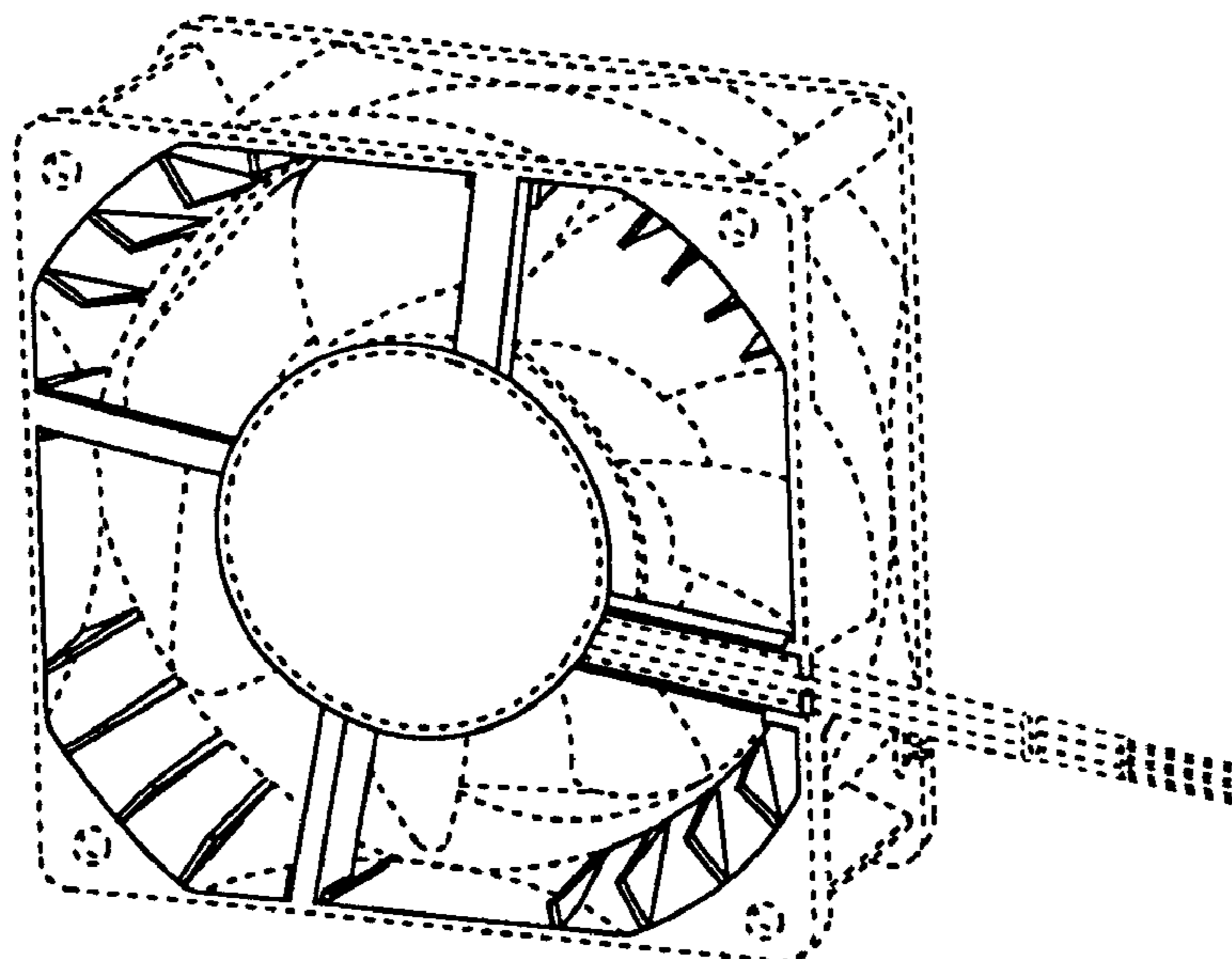
(57) **CLAIM**

The ornamental design for a fan, as shown and described.

DESCRIPTION

FIG. 1 is a perspective view of our new design.
FIG. 2 is a front side elevation view thereof.
FIG. 3 is a rear side elevation view thereof.
FIG. 4 is a left side elevation view thereof.
FIG. 5 is a right side elevation view thereof.
FIG. 6 is a top plan view thereof.
FIG. 7 is a bottom plan view thereof.
FIG. 8 is an end view as taken along 8—8 line in FIG. 5, omitting the interior mechanism of a motor.
FIG. 9 is an enlarged cutaway view of the part defined by 9—9 in FIG. 12.
FIG. 10 is an enlarged end view as taken along 10—10 line in FIG. 12.
FIG. 11 is an end view as taken along 11—11 line in FIG. 5, omitting the interior mechanism of a motor; and,
FIG. 12 is reference view of our new design.
An article relating to the subject design is an electric fan. The dashed lines in the drawings indicate environmental or surrounding structures that form no part of the claimed design.
All of the material from the Japanese patent which is essential to the claimed design is included in this application. Any material in the Japanese patent which is not present in application forms no part of the claimed design.

1 Claim, 7 Drawing Sheets



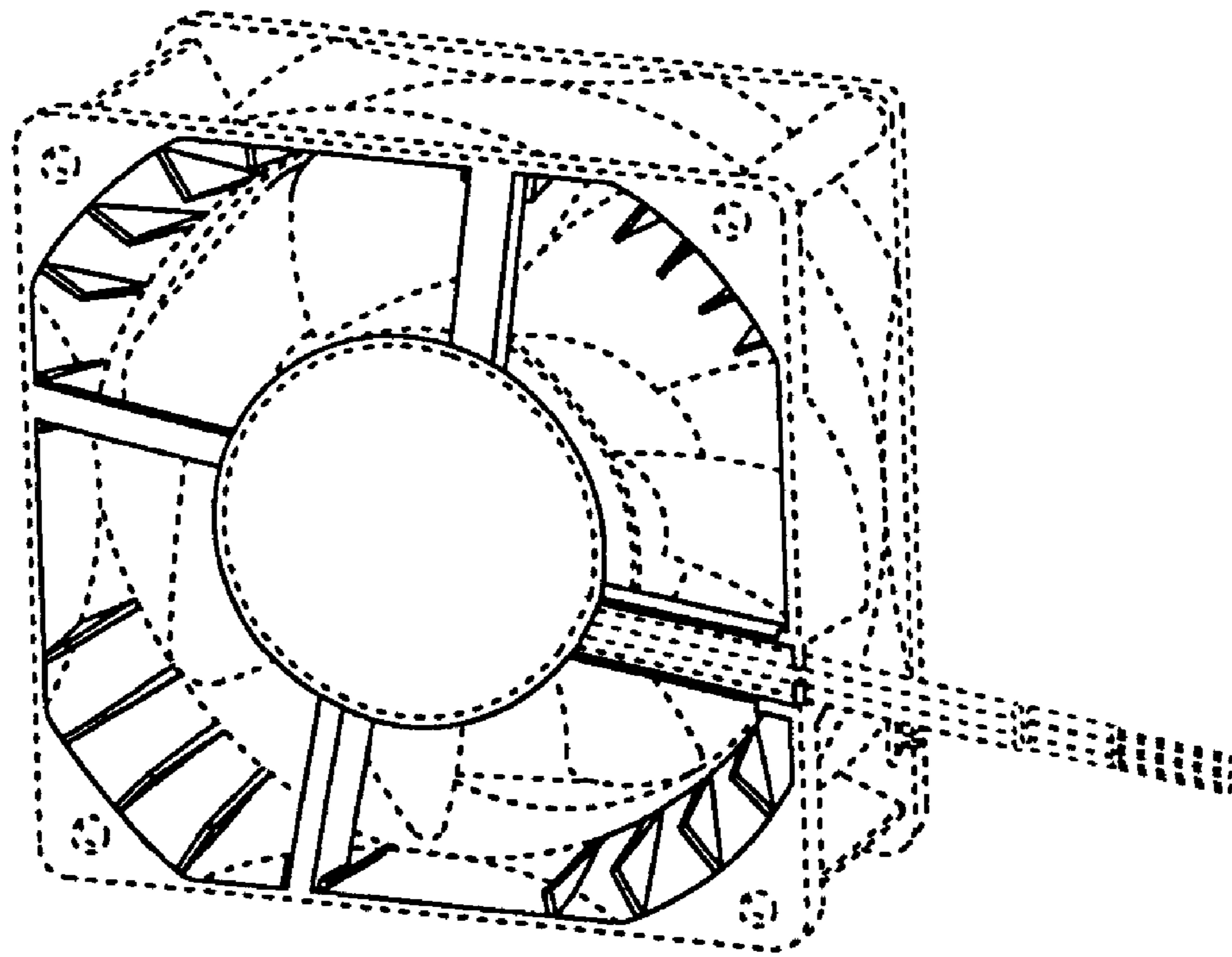


Fig. 1

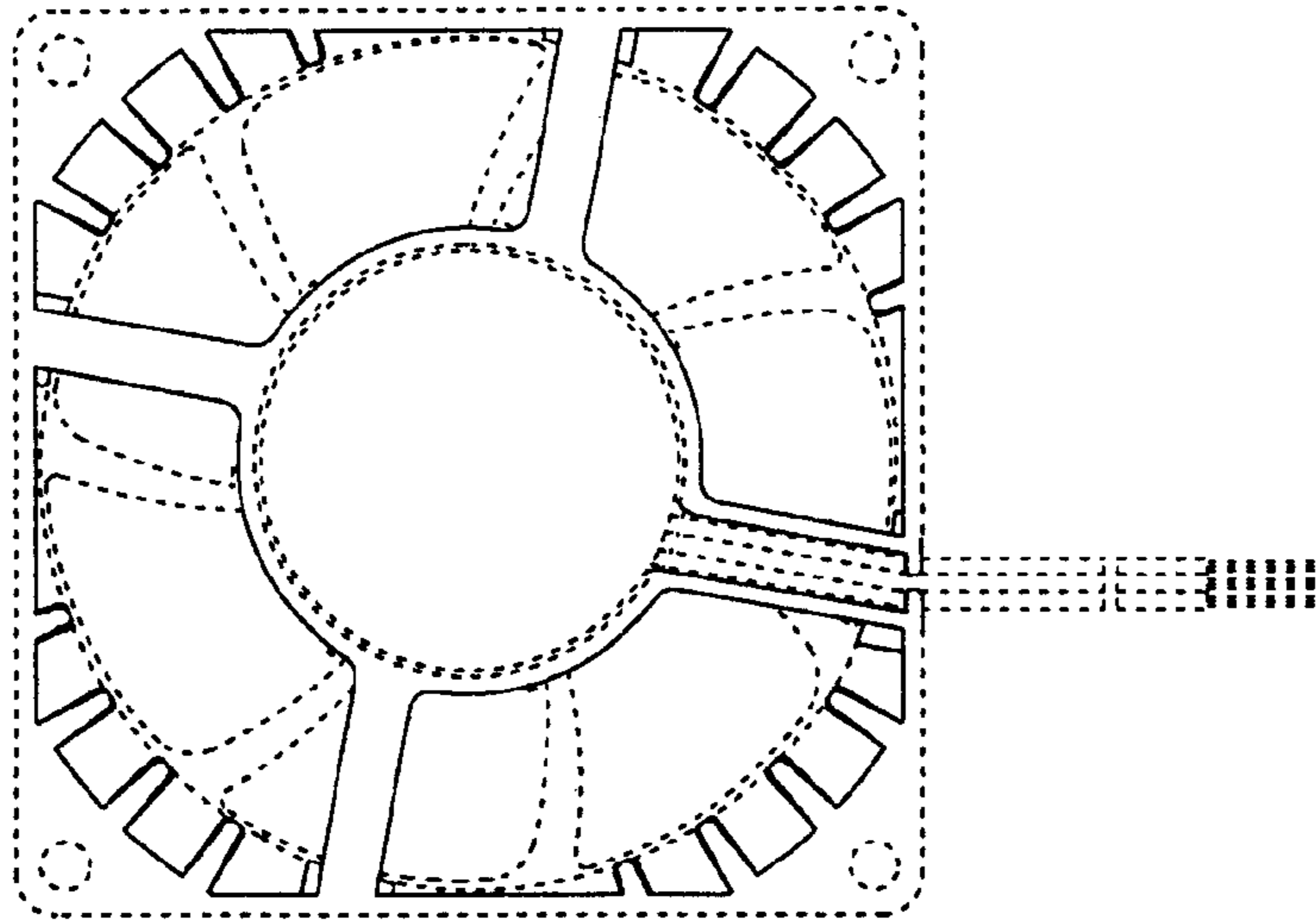


Fig. 2

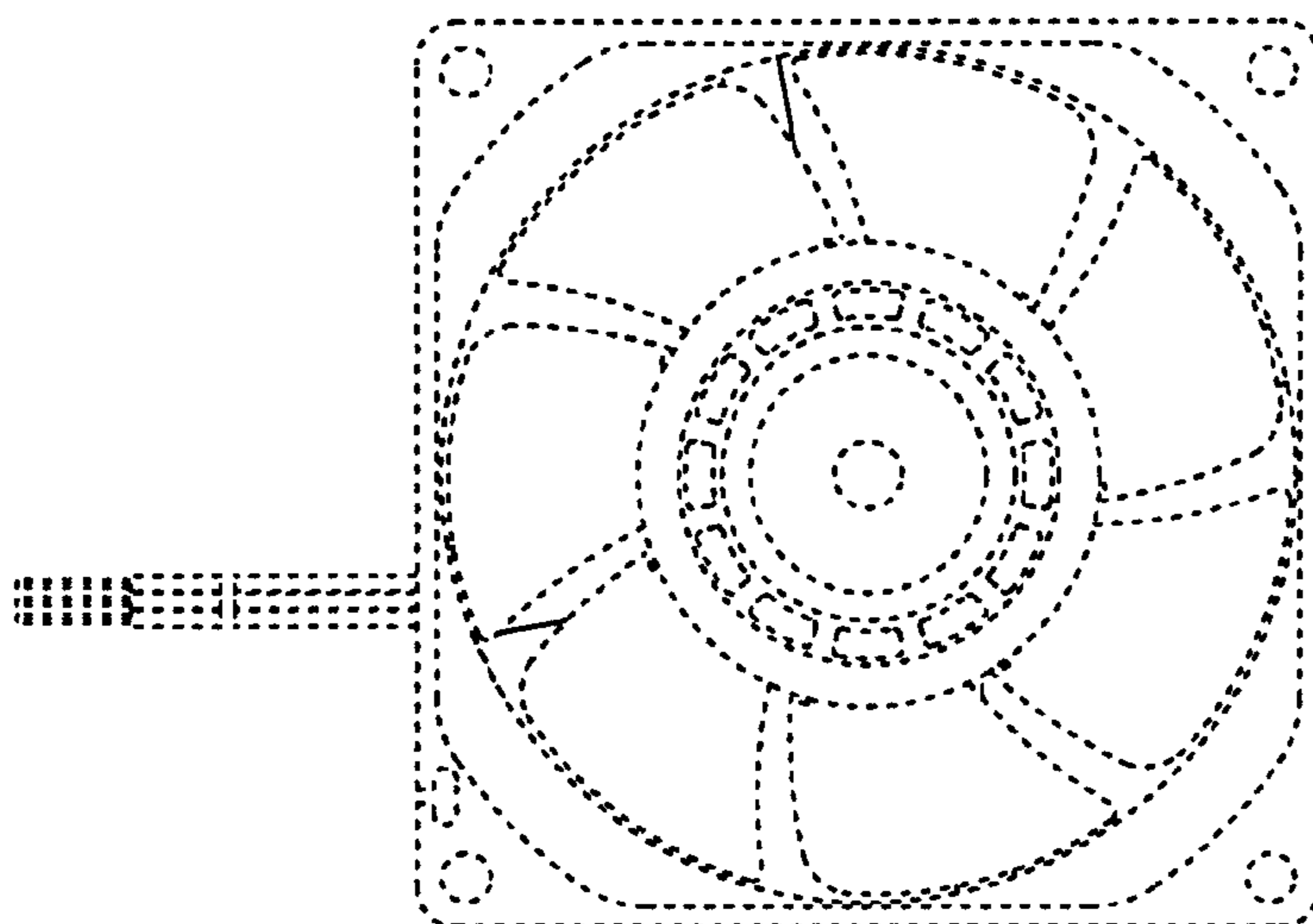


Fig. 3

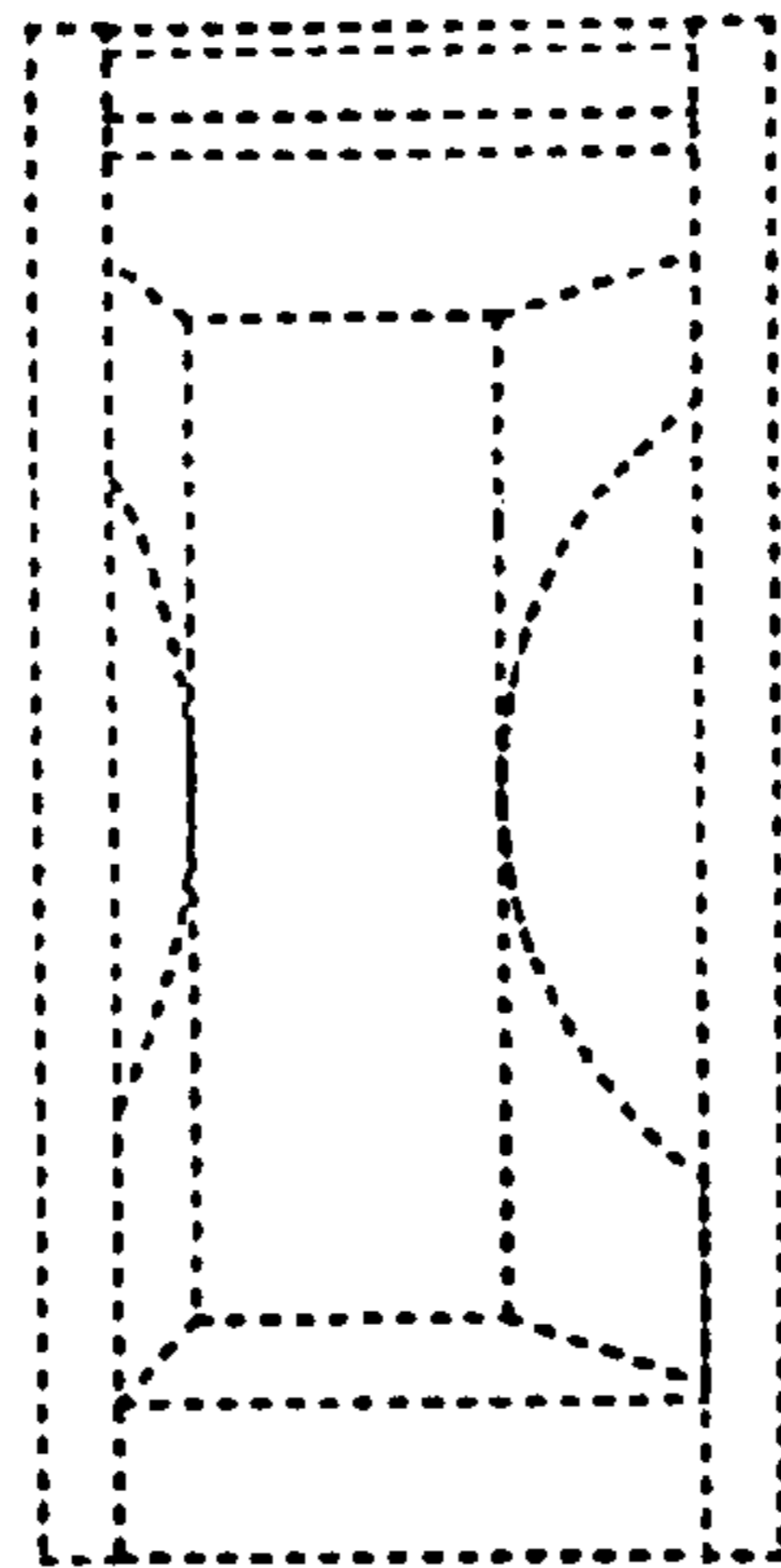


Fig. 4

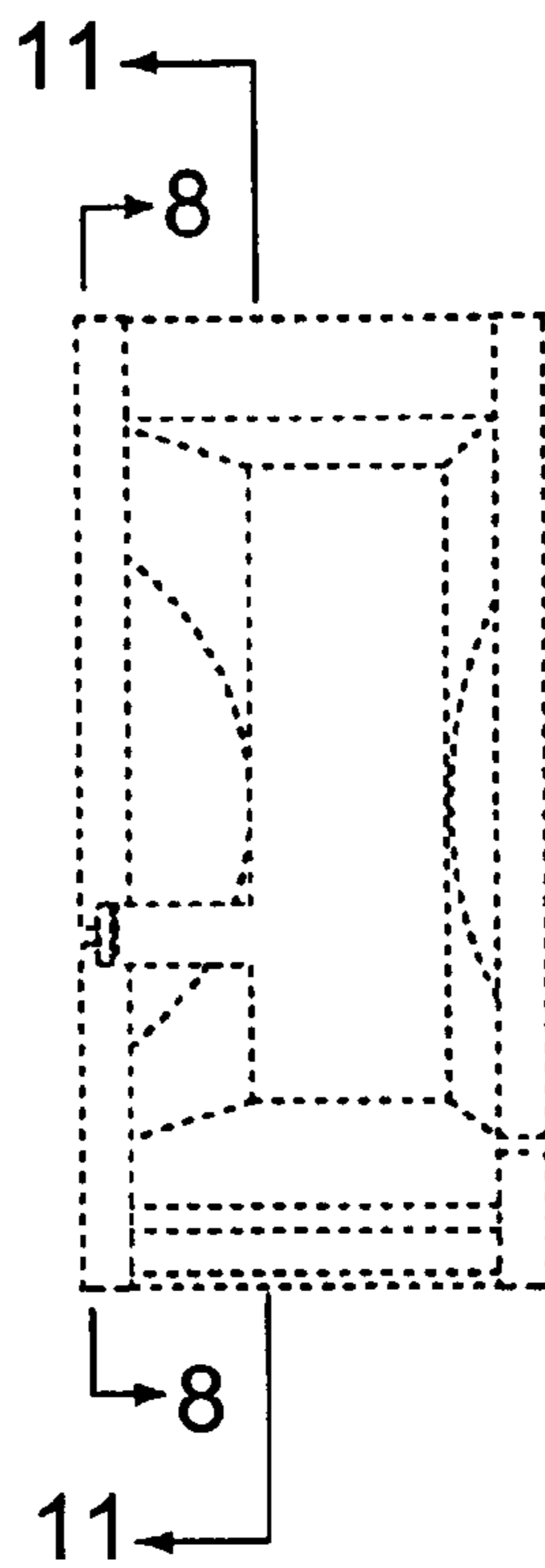


Fig. 5

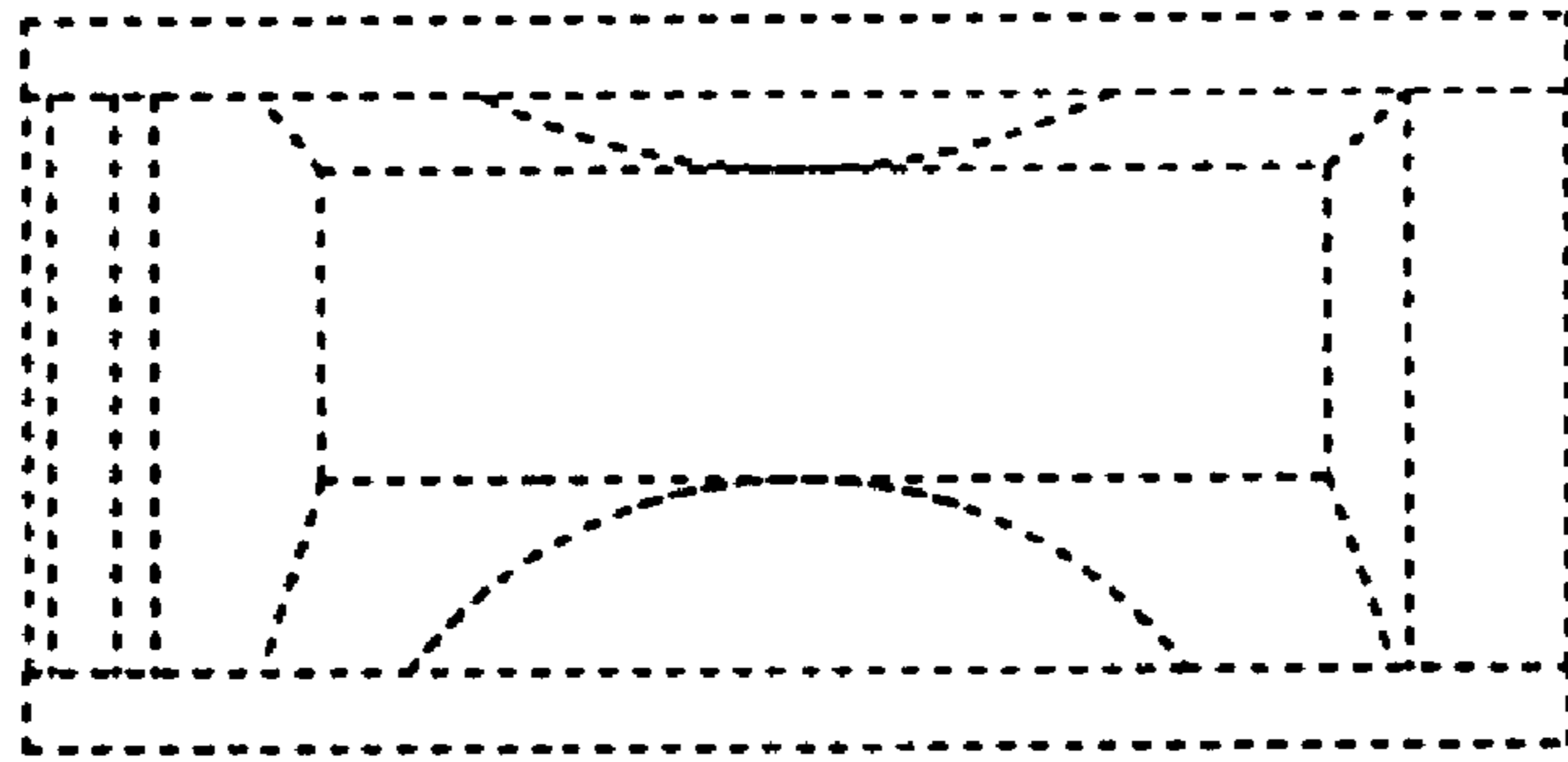


Fig. 6

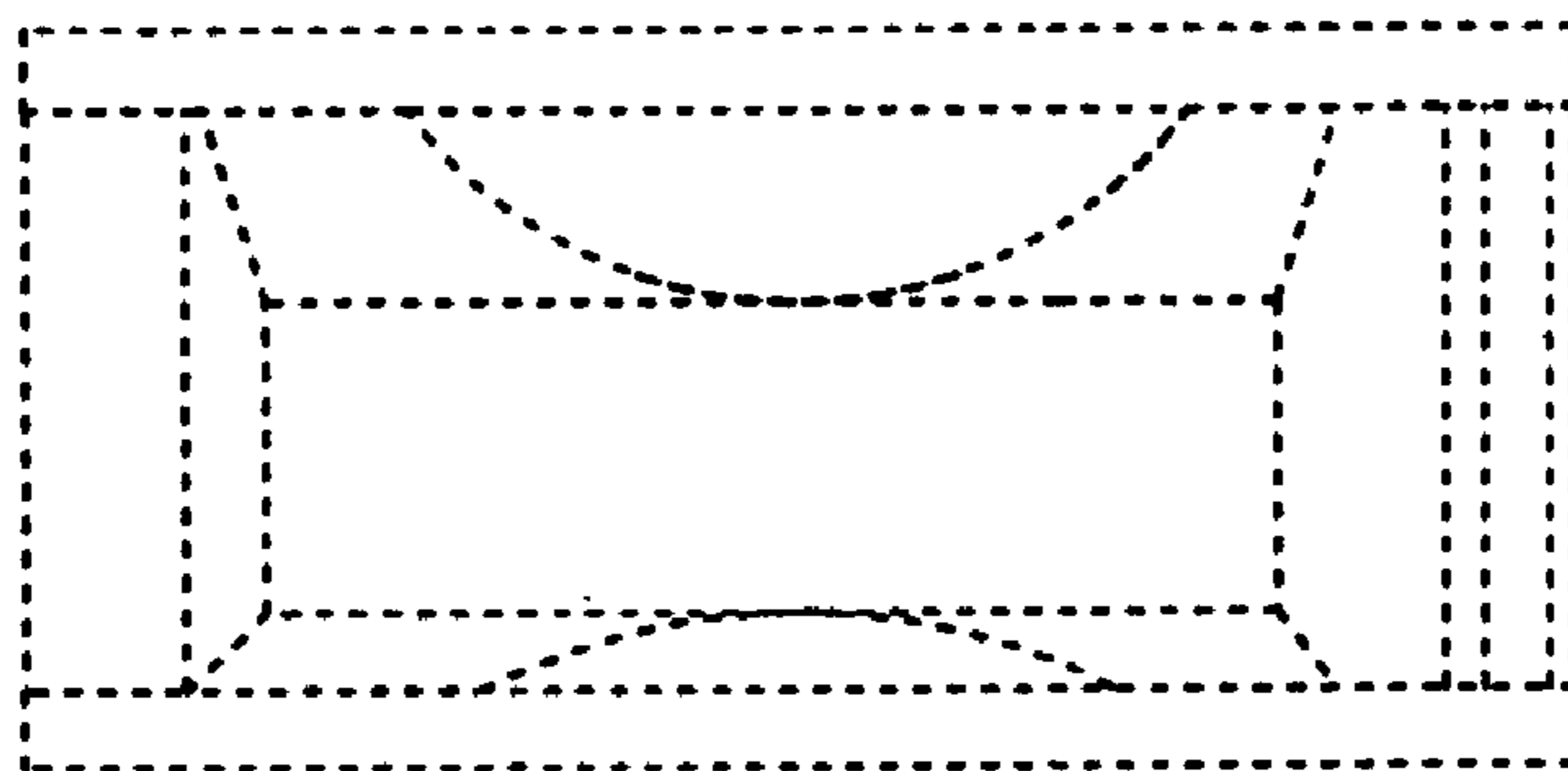


Fig. 7

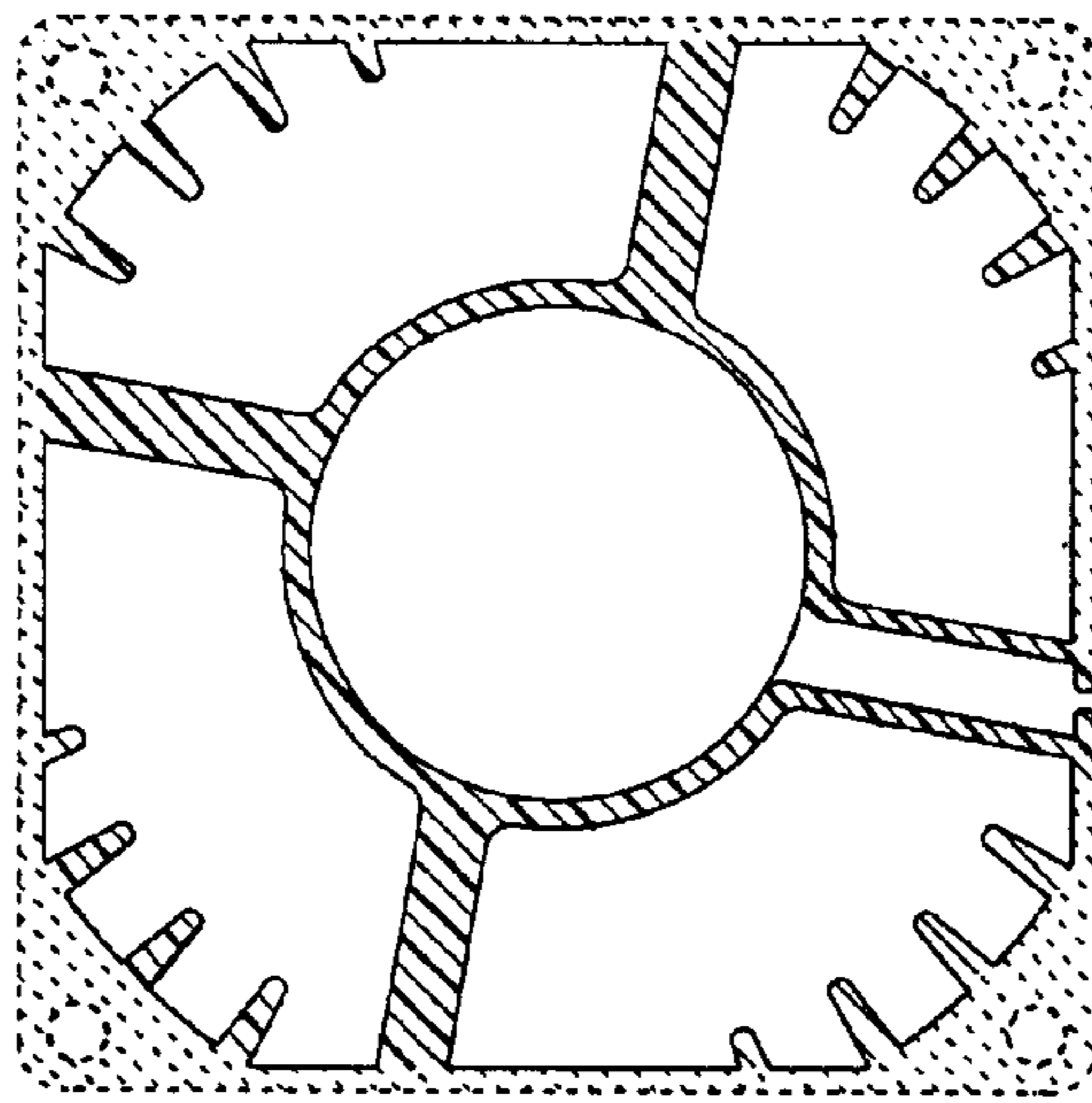


Fig. 8

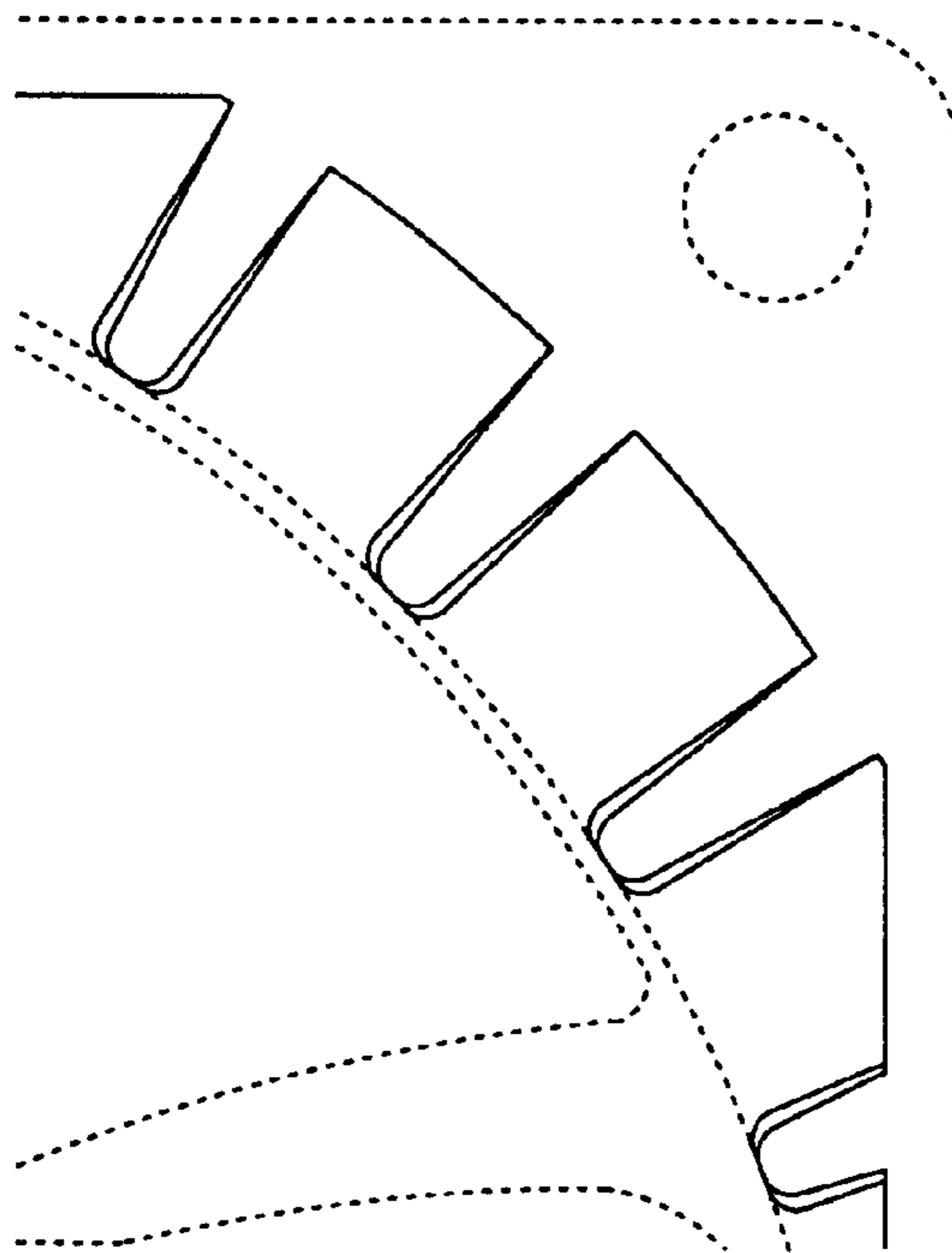


Fig. 9

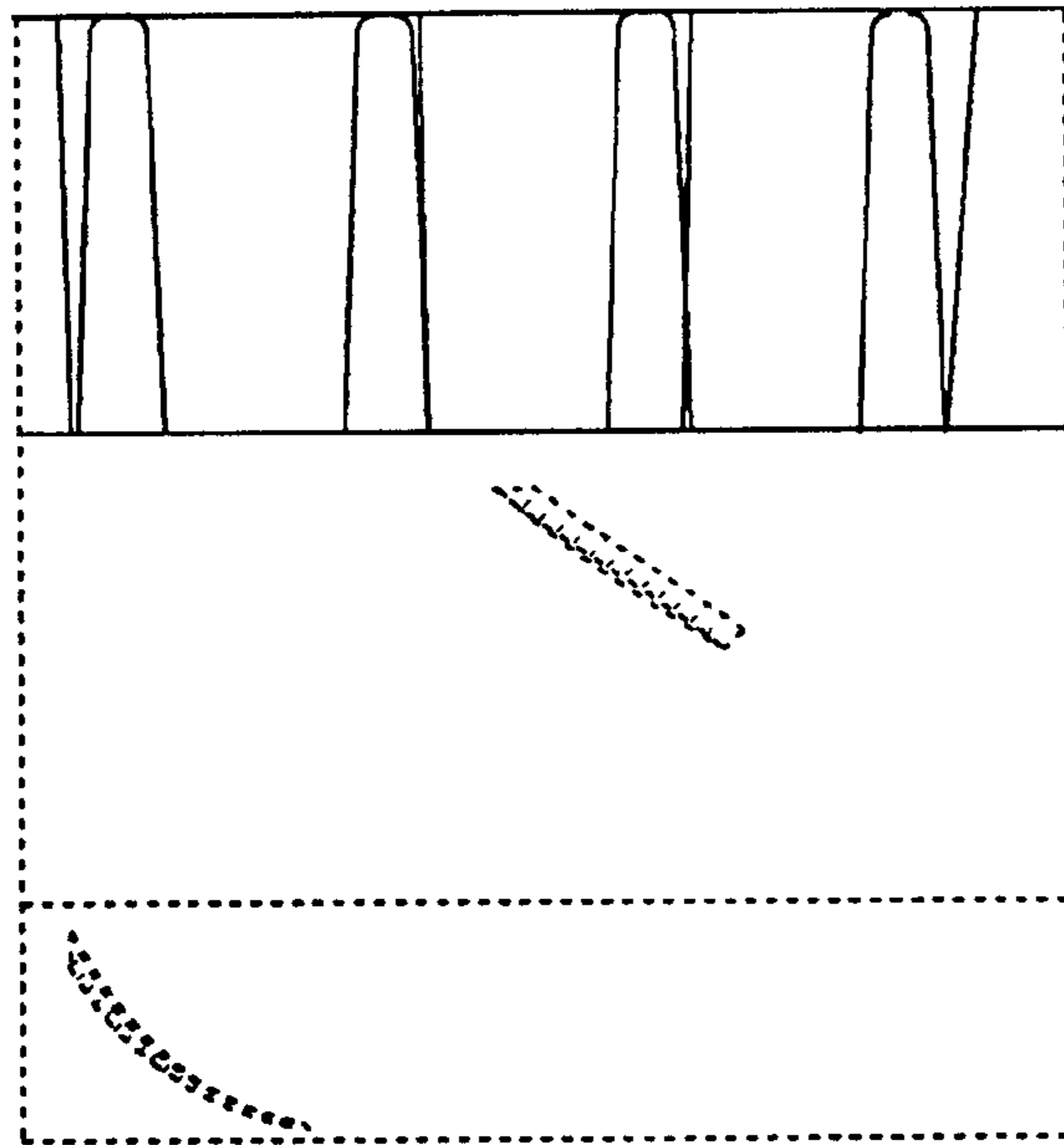


Fig. 10

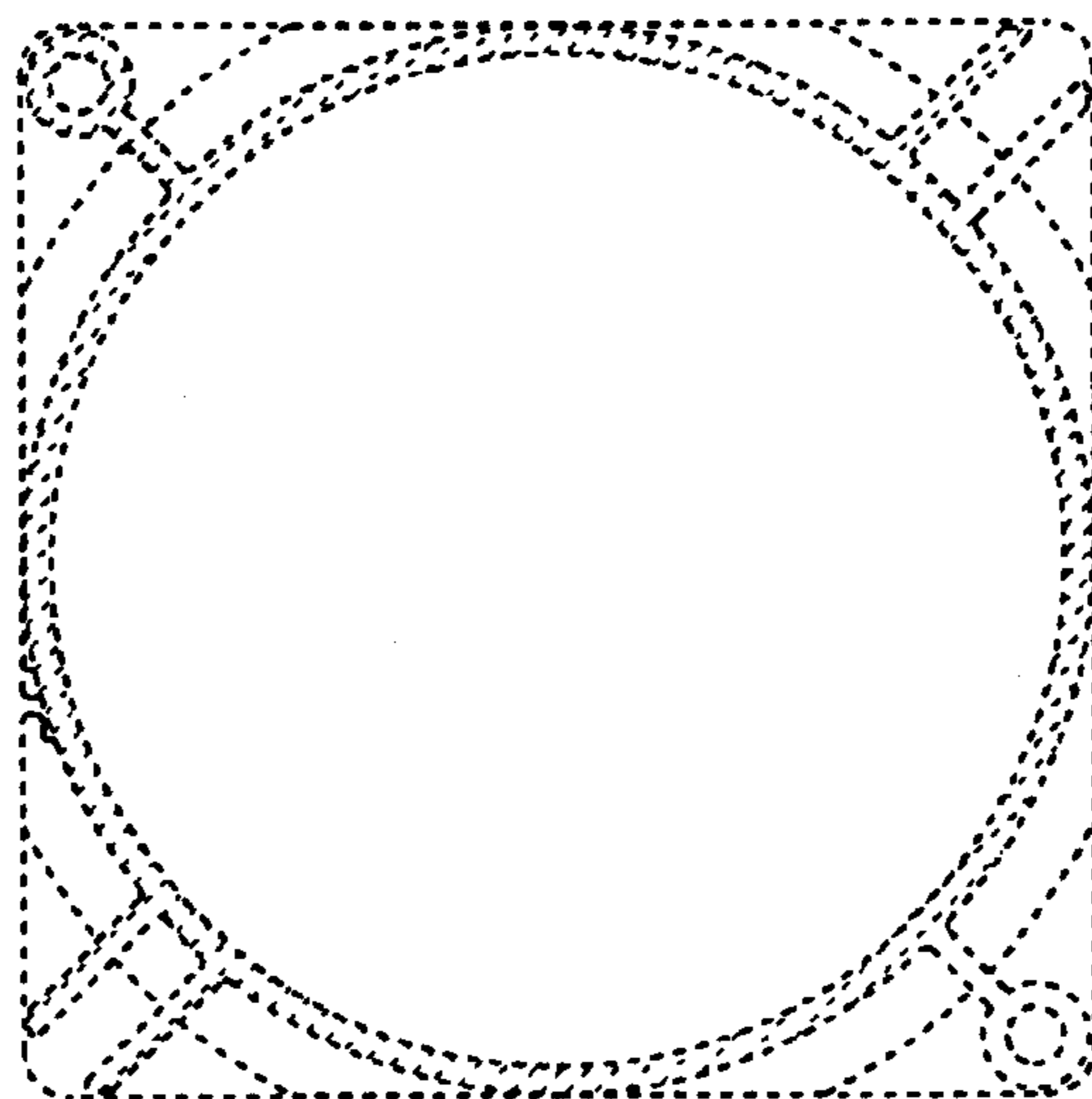


Fig. 11

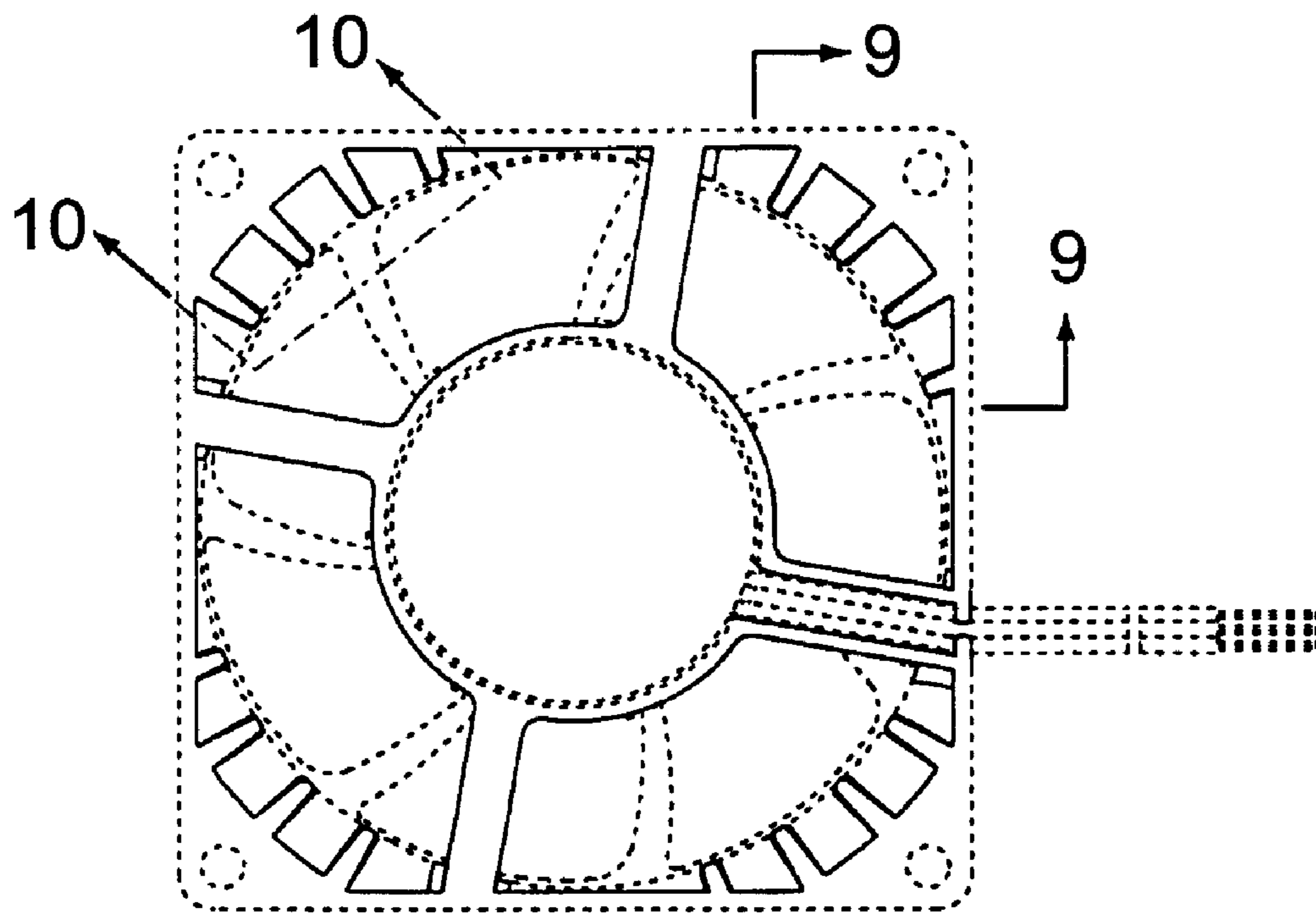


Fig. 12

UNITED STATES PATENT AND TRADEMARK OFFICE
CERTIFICATE OF CORRECTION

PATENT NO. : Des. 534,266 S
APPLICATION NO. : 29/204484
DATED : December 26, 2006
INVENTOR(S) : Watanabe et al.

Page 1 of 1

It is certified that error appears in the above-identified patent and that said Letters Patent is hereby corrected as shown below:

On the Title Page, Item [57], Before the paragraph that begins "All of the material", insert --The disclosure of Japanese Patent Application JP 2003-032306 is expressly incorporated herein in its entirety.--.

Signed and Sealed this

Twenty-seventh Day of February, 2007

A handwritten signature in black ink on a light gray dotted background. The signature reads "Jon W. Dudas" in a cursive style.

JON W. DUDAS

Director of the United States Patent and Trademark Office