

US00D534265S

(12) **United States Design Patent**
Weggelaar

(10) **Patent No.:** **US D534,265 S**

(45) **Date of Patent:** **** Dec. 26, 2006**

- (54) **AIR DEODORIZING APPARATUS**
- (75) Inventor: **Bjorn Weggelaar**, Haarlem (NL)
- (73) Assignee: **Sara Lee Household and Body Care Nederland B.V.**, Veenendaal (NL)
- (**) Term: **14 Years**
- (21) Appl. No.: **29/252,963**
- (22) Filed: **Jan. 31, 2006**
- (30) **Foreign Application Priority Data**
 - Aug. 12, 2005 (EM) 000385752
- (51) **LOC (8) Cl.** **28-99**
- (52) **U.S. Cl.** **D23/366**
- (58) **Field of Classification Search** 392/386,
 392/390-394, 398, 401, 403, 405-406; 239/135-136,
 239/34, 35, 56-58, 37, 41, 42, 60; 261/DIG. 17,
 261/DIG. 65, DIG. 88, DIG. 89; D23/355-369
 See application file for complete search history.

- D474,268 S * 5/2003 Choke-arpornchai et al. ... D23/
366
- D478,379 S * 8/2003 Talenton et al. D23/366
- D480,792 S 10/2003 Millan
- D481,787 S 11/2003 Millan
- D485,340 S 1/2004 Wu
- D485,341 S 1/2004 Wu
- D487,144 S * 2/2004 Choke-arpornchai et al. ... D23/
366
- D491,256 S 6/2004 Fellows et al.
- D491,798 S * 6/2004 Buthier D23/366
- D501,546 S * 2/2005 Cruver et al. D23/366
- D501,921 S * 2/2005 Caserta et al. D23/366
- D502,540 S * 3/2005 Cruver et al. D23/366

* cited by examiner

Primary Examiner—Sandra S. Snapp
(74) *Attorney, Agent, or Firm*—Kilpatrick Stockton LLP

(57) **CLAIM**

I claim the ornamental design for an air deodorizing apparatus, as shown and described.

DESCRIPTION

FIG. 1 is a front perspective view of an air deodorizing apparatus comprising the present invention.

FIG. 2 is a front elevational view of the air deodorizing apparatus shown in FIG. 1.

FIG. 3 is a rear elevational view of the air deodorizing apparatus shown in FIG. 1 and FIG. 2.

FIG. 4 is a side elevational view of the air deodorizing apparatus shown in FIG. 1, FIG. 2, and FIG. 3.

FIG. 5 is another side elevational view of the air deodorizing apparatus shown in FIG. 1, FIG. 2, FIG. 3, and FIG. 4.

FIG. 6 is a top plan view of the air deodorizing apparatus shown in FIG. 1, FIG. 2, FIG. 3, FIG. 4 and FIG. 5; and, FIG. 7 is a bottom plan view of the air deodorizing apparatus shown in FIG. 1, FIG. 2, FIG. 3, FIG. 4 and FIG. 5.

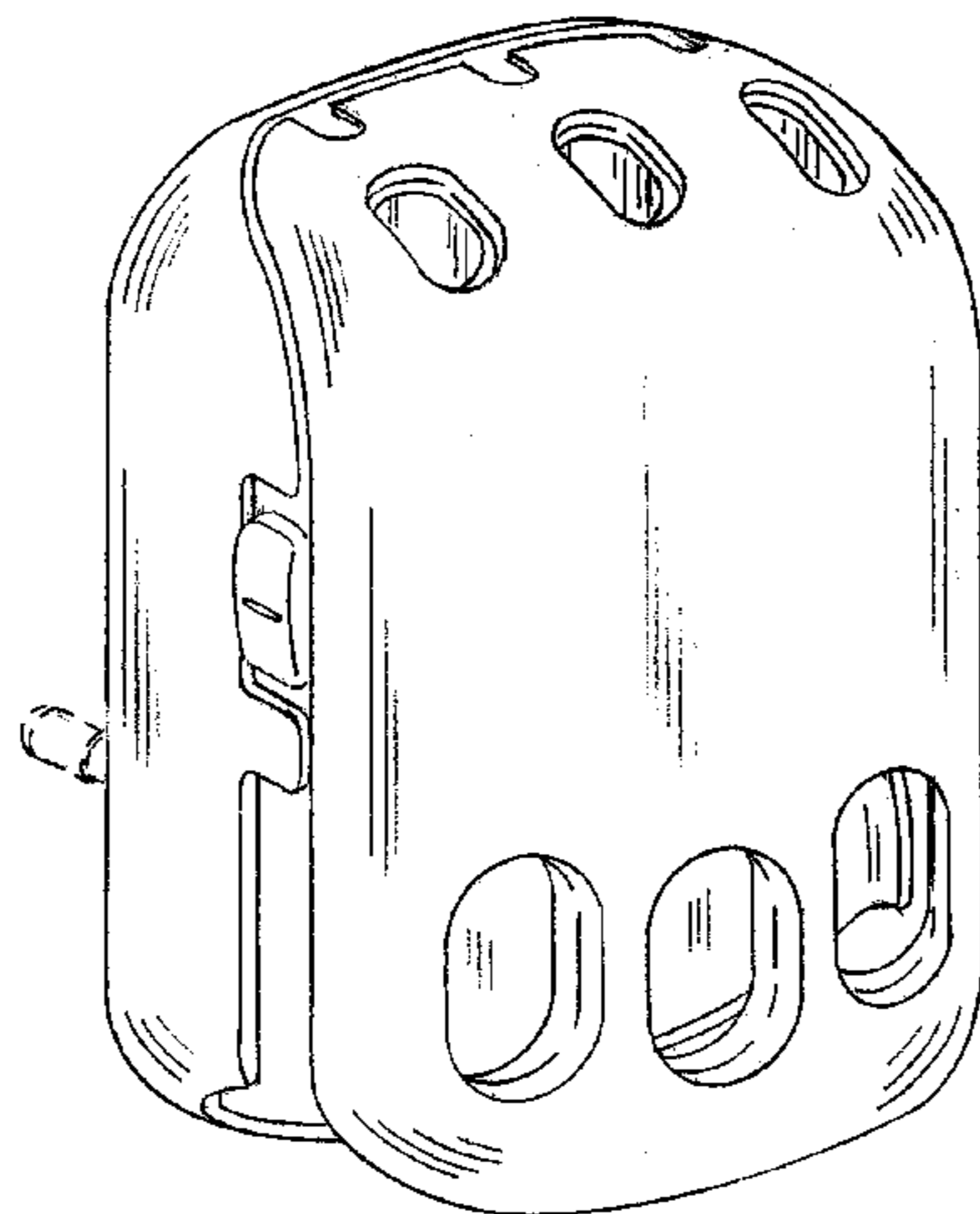
The broken line showing of the electrical plug on the air deodorizing apparatus is for illustrative purposes only and forms no part of the claimed design.

1 Claim, 4 Drawing Sheets

(56) **References Cited**

U.S. PATENT DOCUMENTS

- D393,063 S * 3/1998 Wefler D23/366
- D425,190 S * 5/2000 Morikawa D23/366
- D432,222 S 10/2000 Rymer et al.
- D433,744 S * 11/2000 Basaganas D23/366
- D437,636 S * 2/2001 Basaganas D23/366
- D439,320 S * 3/2001 Lee D23/366
- D440,291 S * 4/2001 Wolpert et al. D23/360
- D447,550 S * 9/2001 Basaganas D23/366
- D449,101 S * 10/2001 Wolpert et al. D23/366
- D452,955 S 1/2002 Bulsink
- D456,886 S * 5/2002 Hart et al. D23/366
- D461,549 S * 8/2002 Garcia D23/360
- D461,885 S * 8/2002 Jordi D23/366
- D462,755 S * 9/2002 Basaganas Millan D23/366
- D465,019 S 10/2002 Wu
- D466,204 S * 11/2002 Wolpert et al. D23/366
- D468,627 S * 1/2003 Dampney D9/693
- D469,862 S * 2/2003 Cruver et al. D23/366
- D473,638 S * 4/2003 Cruver, IV D23/366



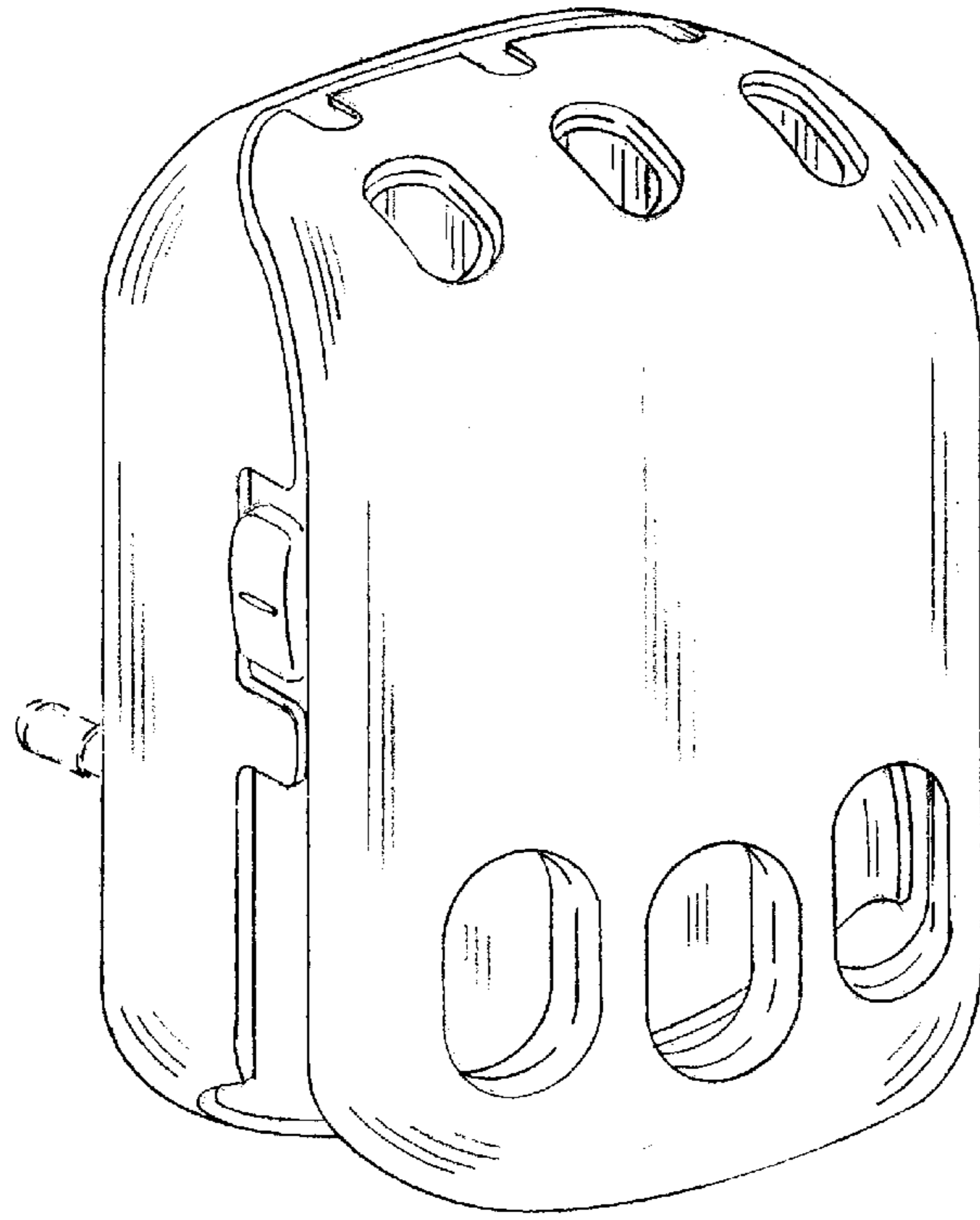


FIG. 1

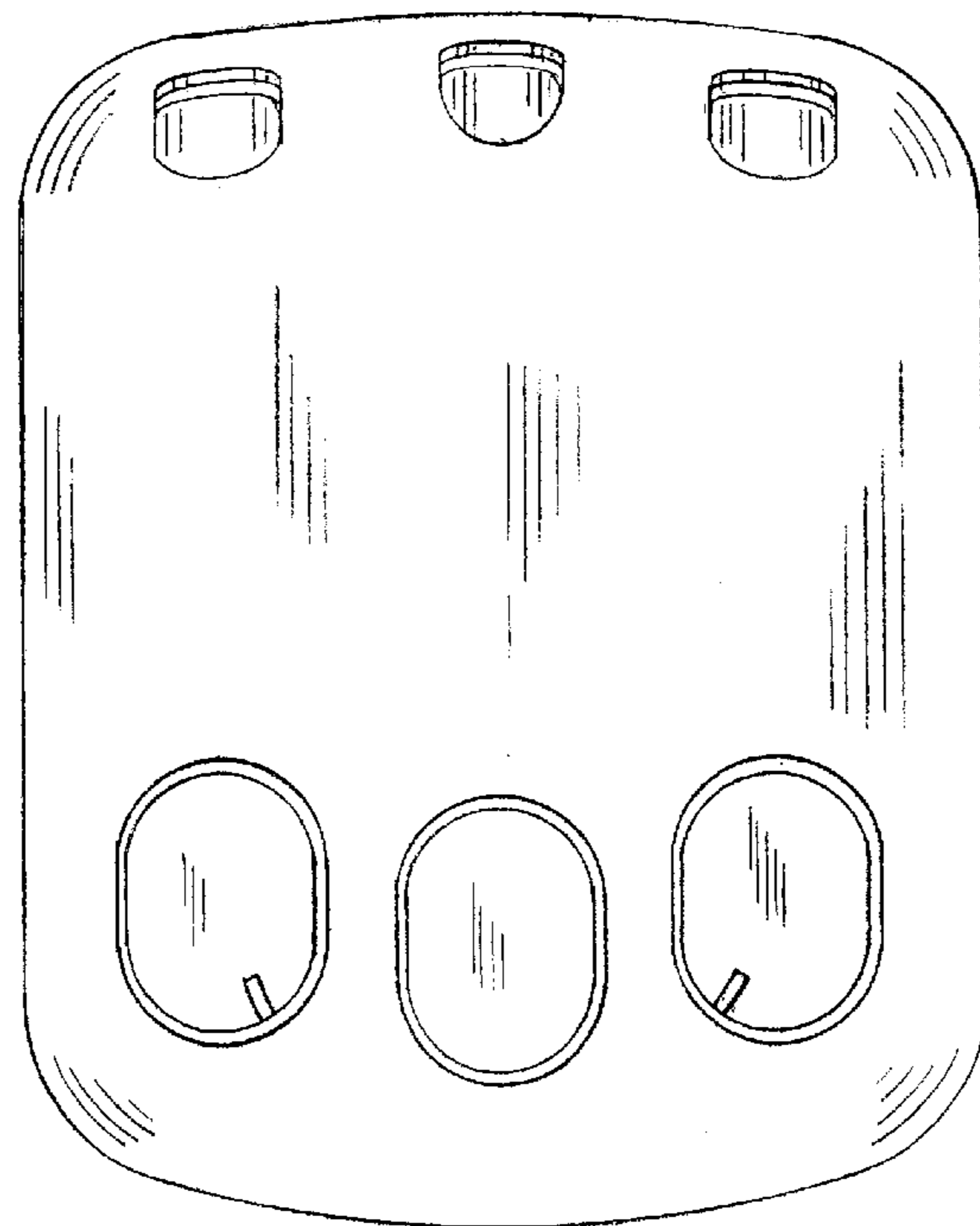


FIG. 2

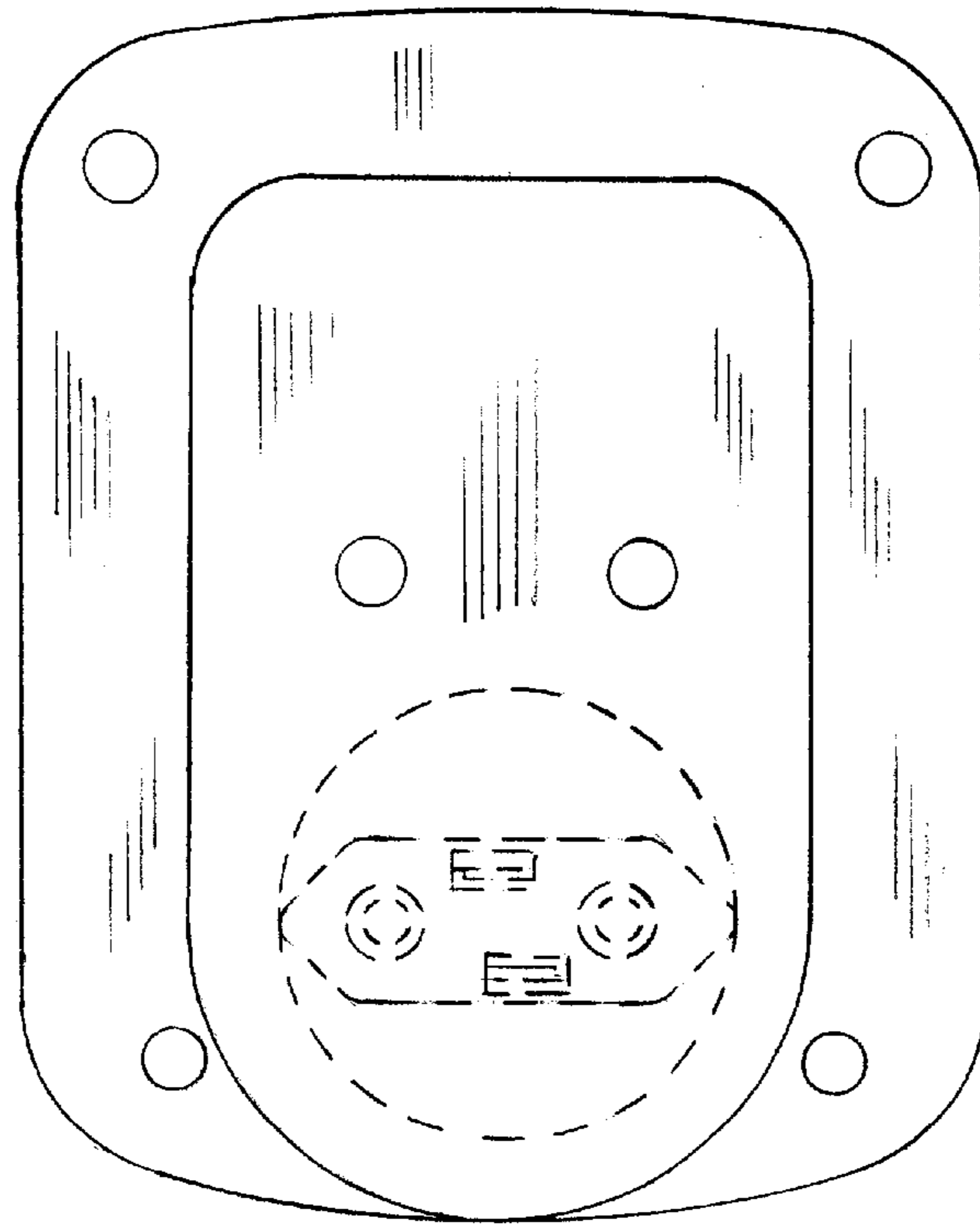


FIG. 3

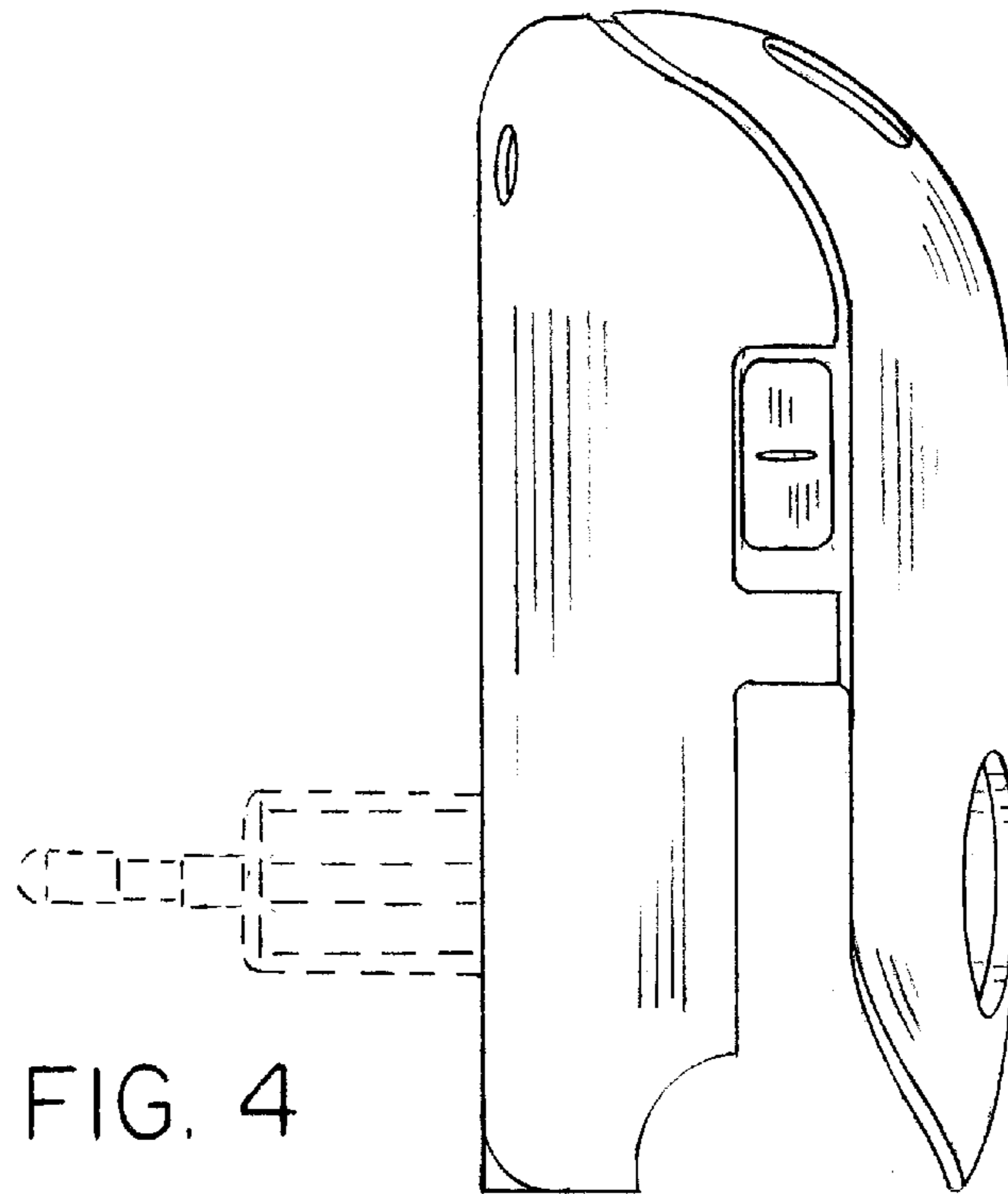


FIG. 4

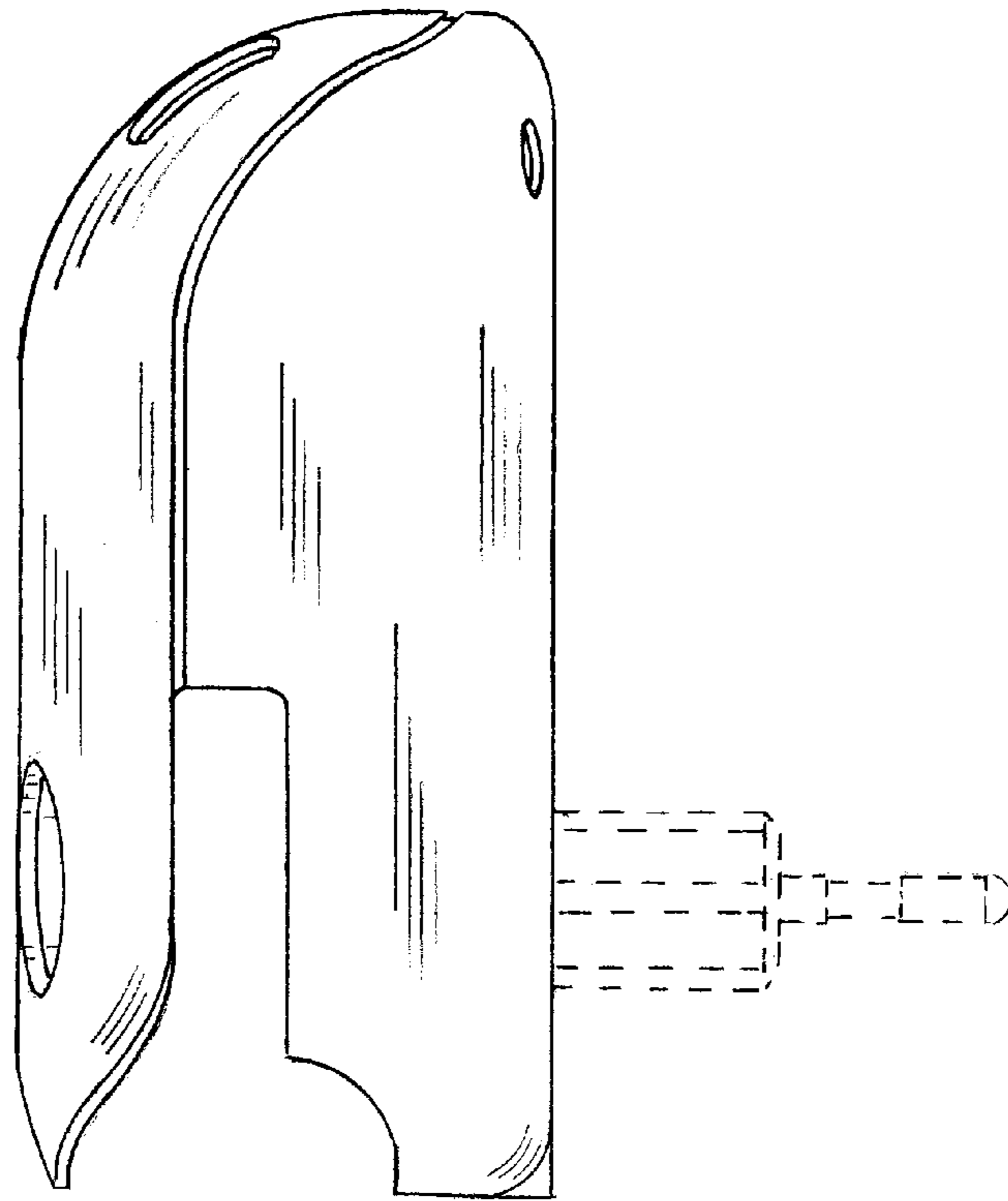


FIG. 5

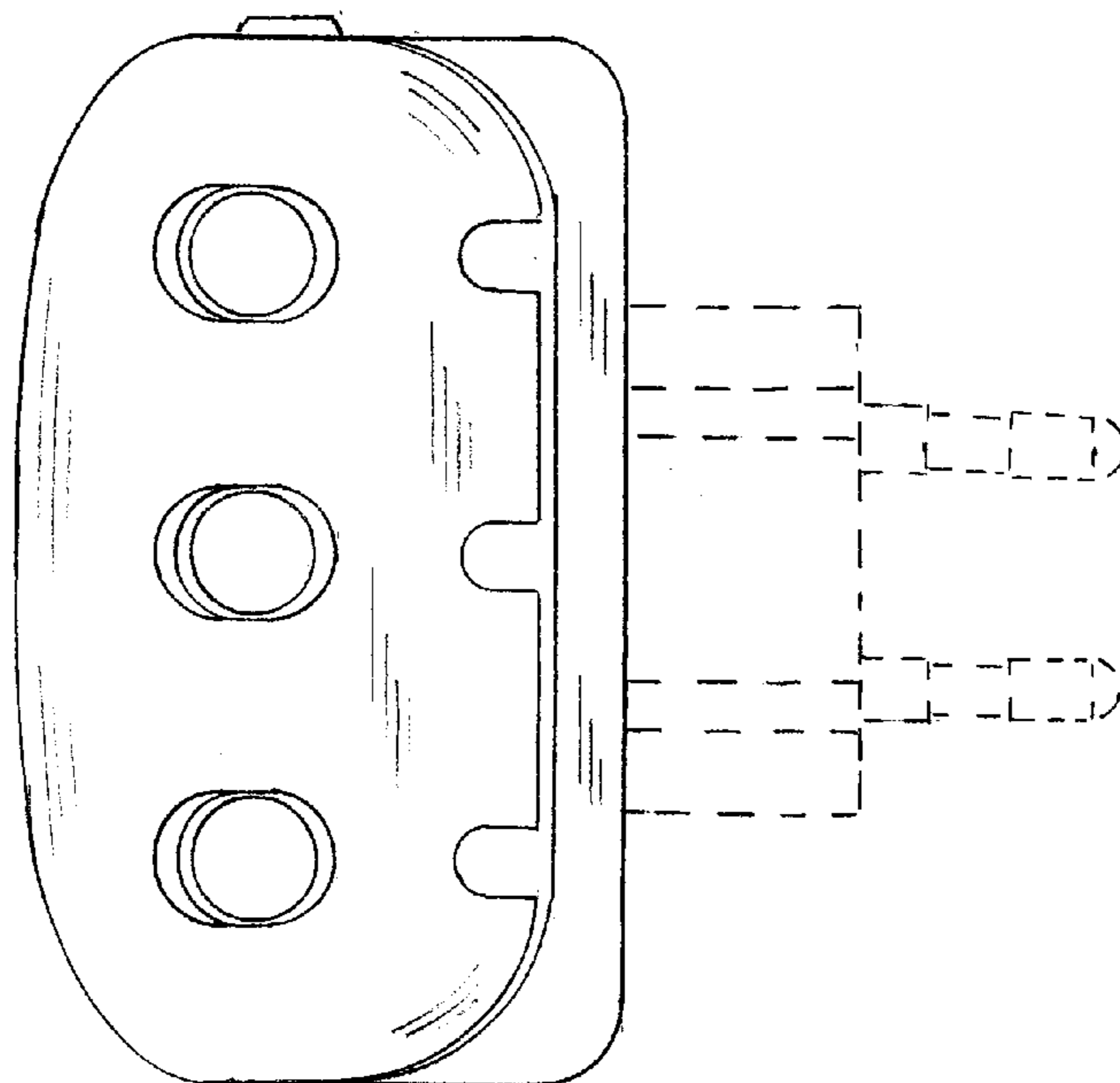


FIG. 6

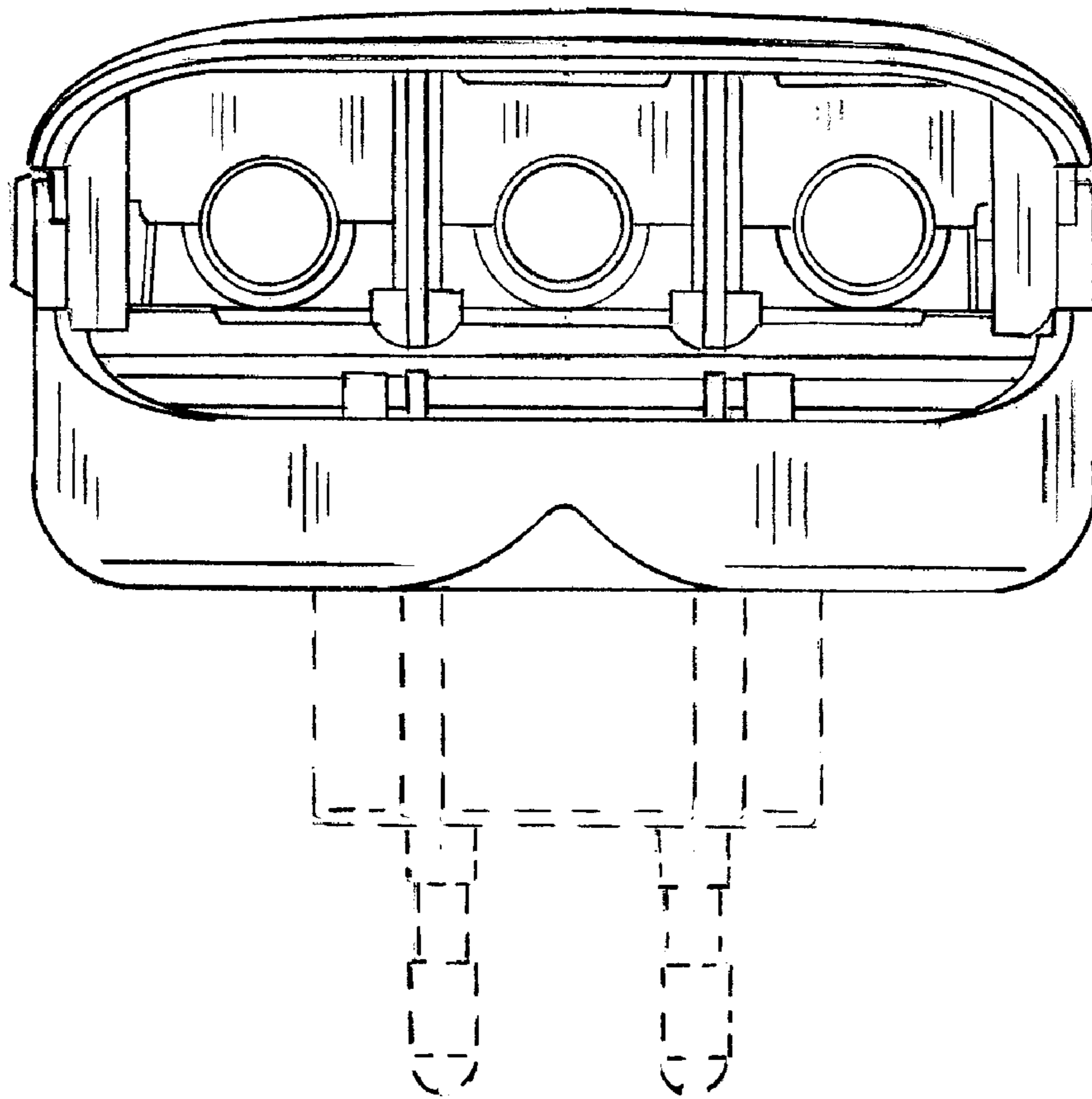


FIG. 7