



US00D534262S

(12) **United States Design Patent**  
**Rho**

(10) **Patent No.:** **US D534,262 S**

(45) **Date of Patent:** **\*\* Dec. 26, 2006**

(54) **AIR PURIFIER**

(75) Inventor: **Man-khyun Rho**, Seoul (KR)

(73) Assignee: **J. C. Technologies, Inc.**, Seoul (KR)

(\*\*) Term: **14 Years**

(21) Appl. No.: **29/208,024**

(22) Filed: **Feb. 14, 2005**

(30) **Foreign Application Priority Data**

May 13, 2004 (KR) ..... 30-2004-0014099

(51) **LOC (8) Cl.** ..... **23-04**

(52) **U.S. Cl.** ..... **D23/355**

(58) **Field of Classification Search** ..... D23/355,  
D23/364-5; 55/471, 472, 356

See application file for complete search history.

(56) **References Cited**

**U.S. PATENT DOCUMENTS**

D373,348 S \* 9/1996 Carlson ..... D14/440

D396,097 S \* 7/1998 Thomas et al. .... D23/364

D402,361 S \* 12/1998 Nepsund et al. .... D23/365

6,284,011 B1 \* 9/2001 Chiang et al. .... 55/471

D521,620 S \* 5/2006 Tseng et al. .... D23/364

\* cited by examiner

*Primary Examiner*—Robin Webster

(74) *Attorney, Agent, or Firm*—Bacon & Thomas

(57) **CLAIM**

The ornamental design for air purifier, as shown and described.

**DESCRIPTION**

FIG. 1 is a front, top and side perspective view of the air purifier showing my new design;

FIG. 2 is a front elevational view thereof;

FIG. 3 is a rear elevational view thereof;

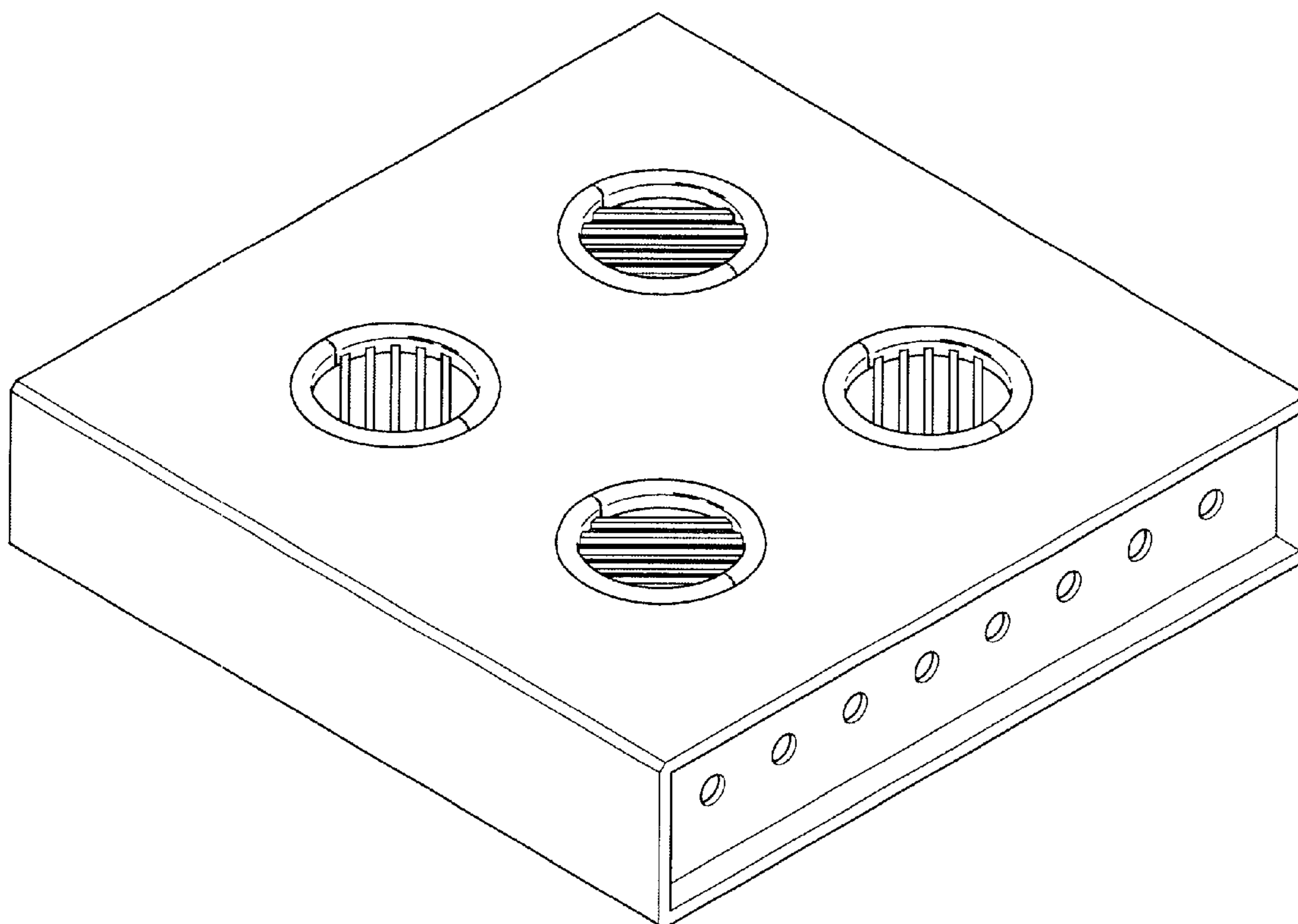
FIG. 4 is a left side elevational view thereof;

FIG. 5 is a right side elevational view thereof;

FIG. 6 is a top plan view thereof; and,

FIG. 7 is a bottom plan view thereof.

**1 Claim, 7 Drawing Sheets**



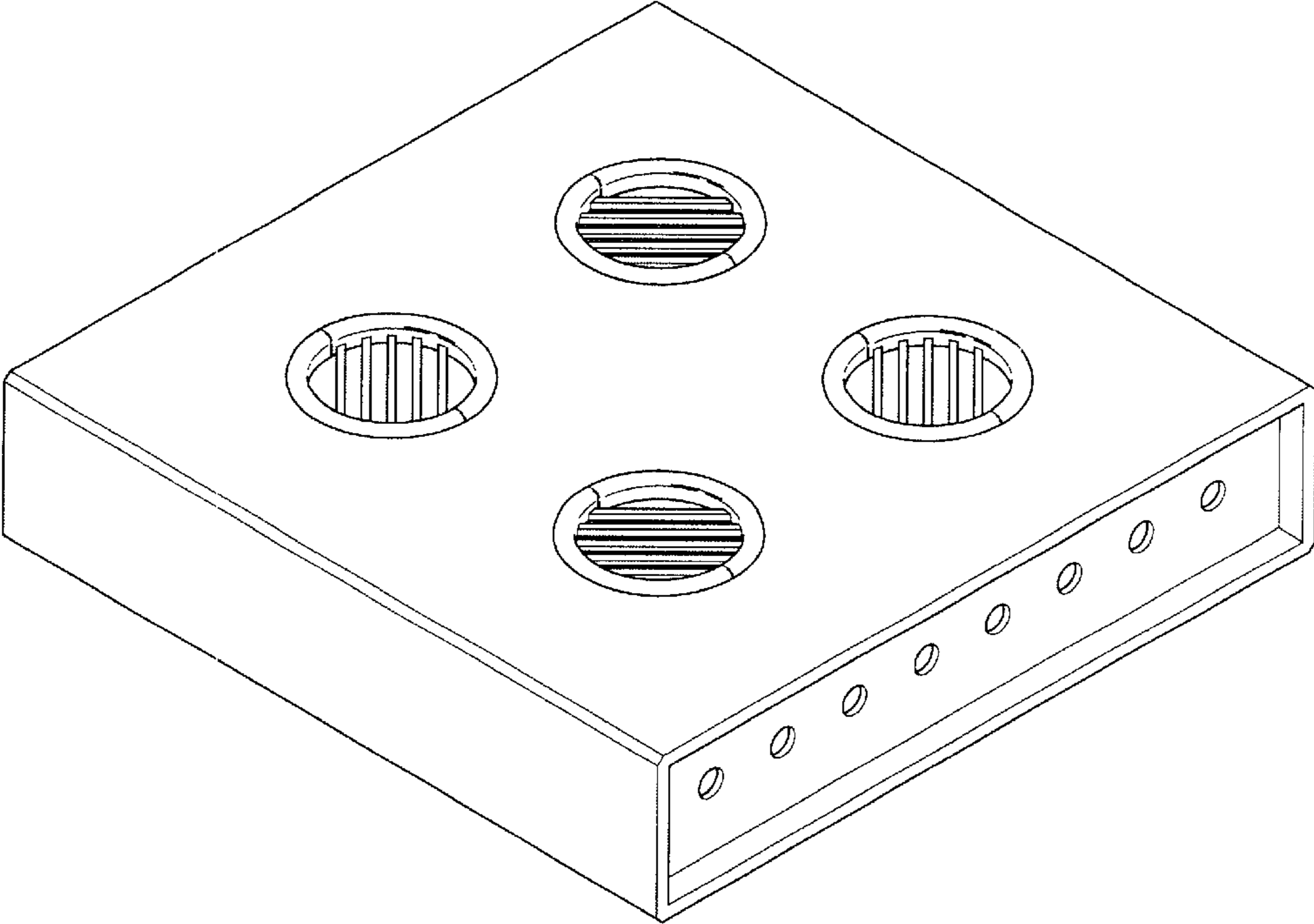


Fig. 1

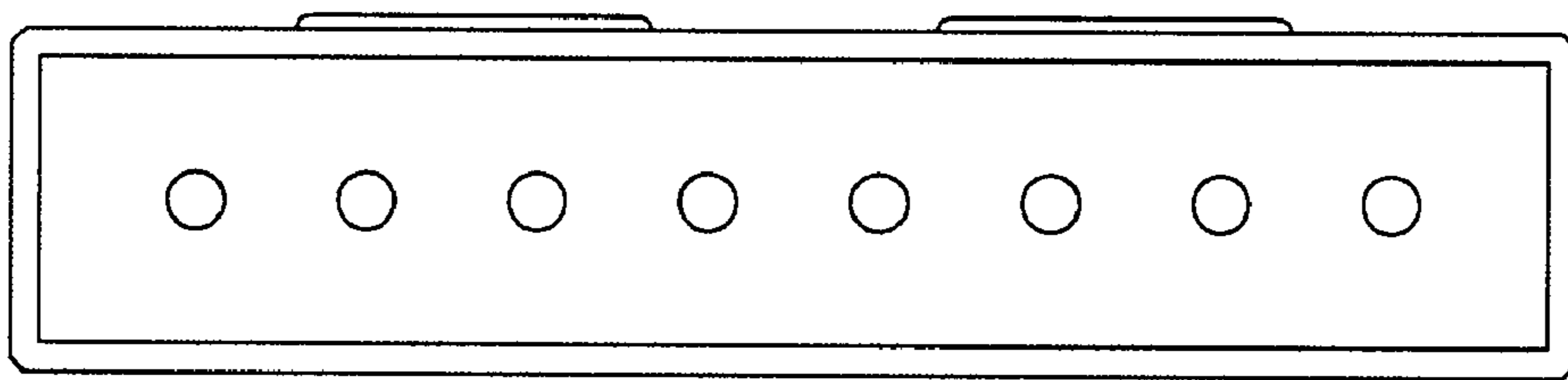


Fig. 2

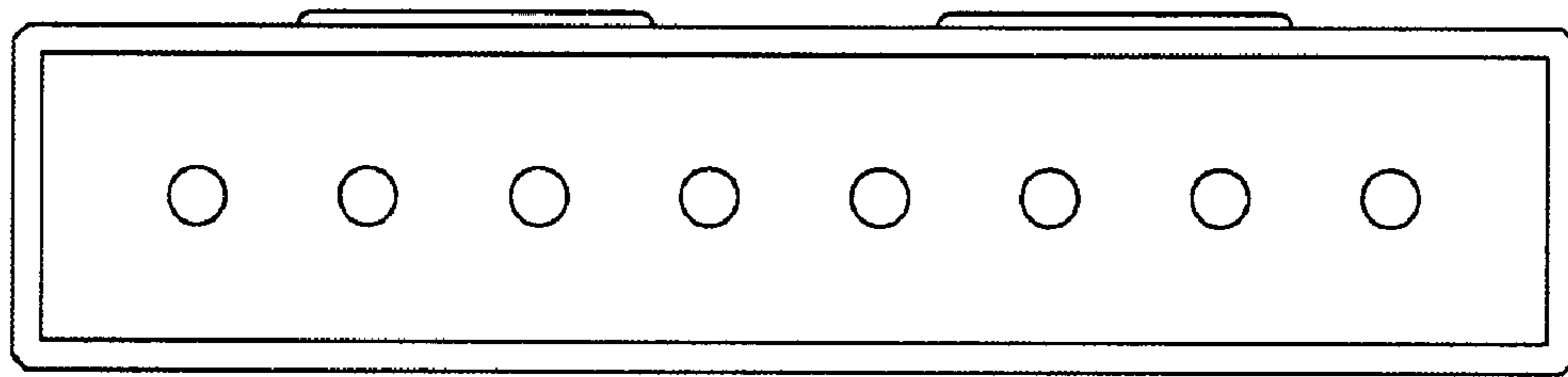


Fig. 3

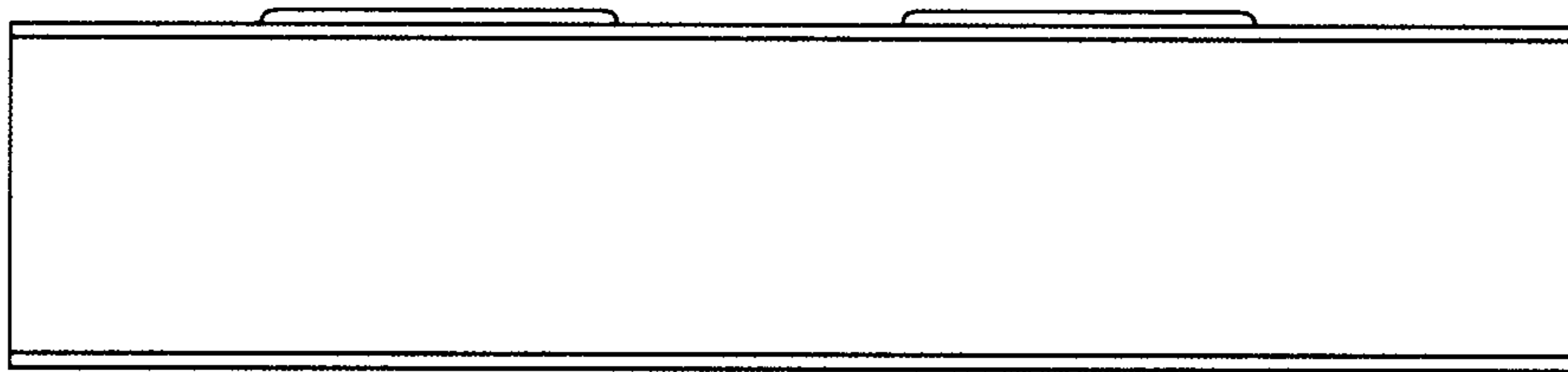


Fig. 4

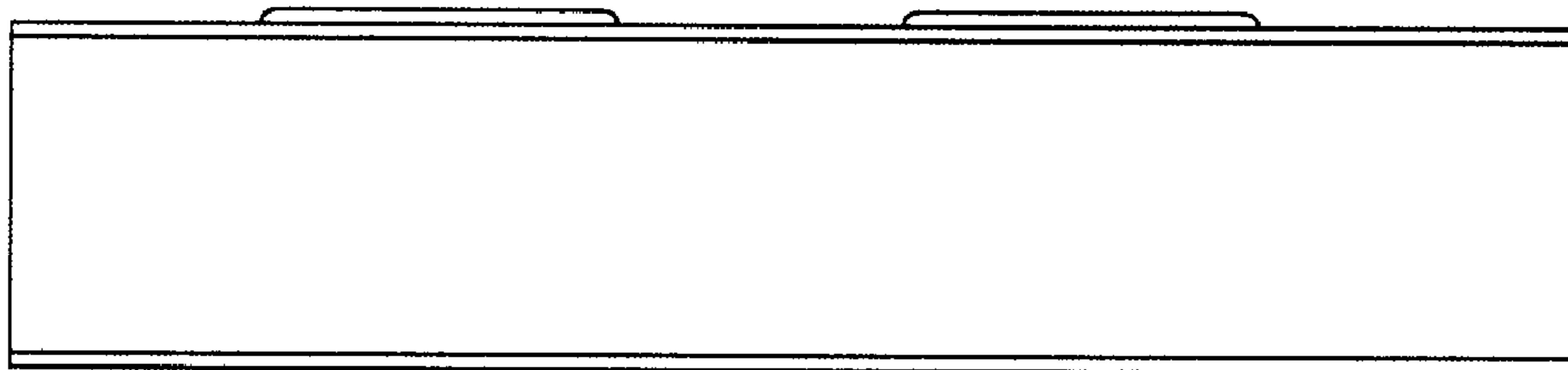


Fig. 5

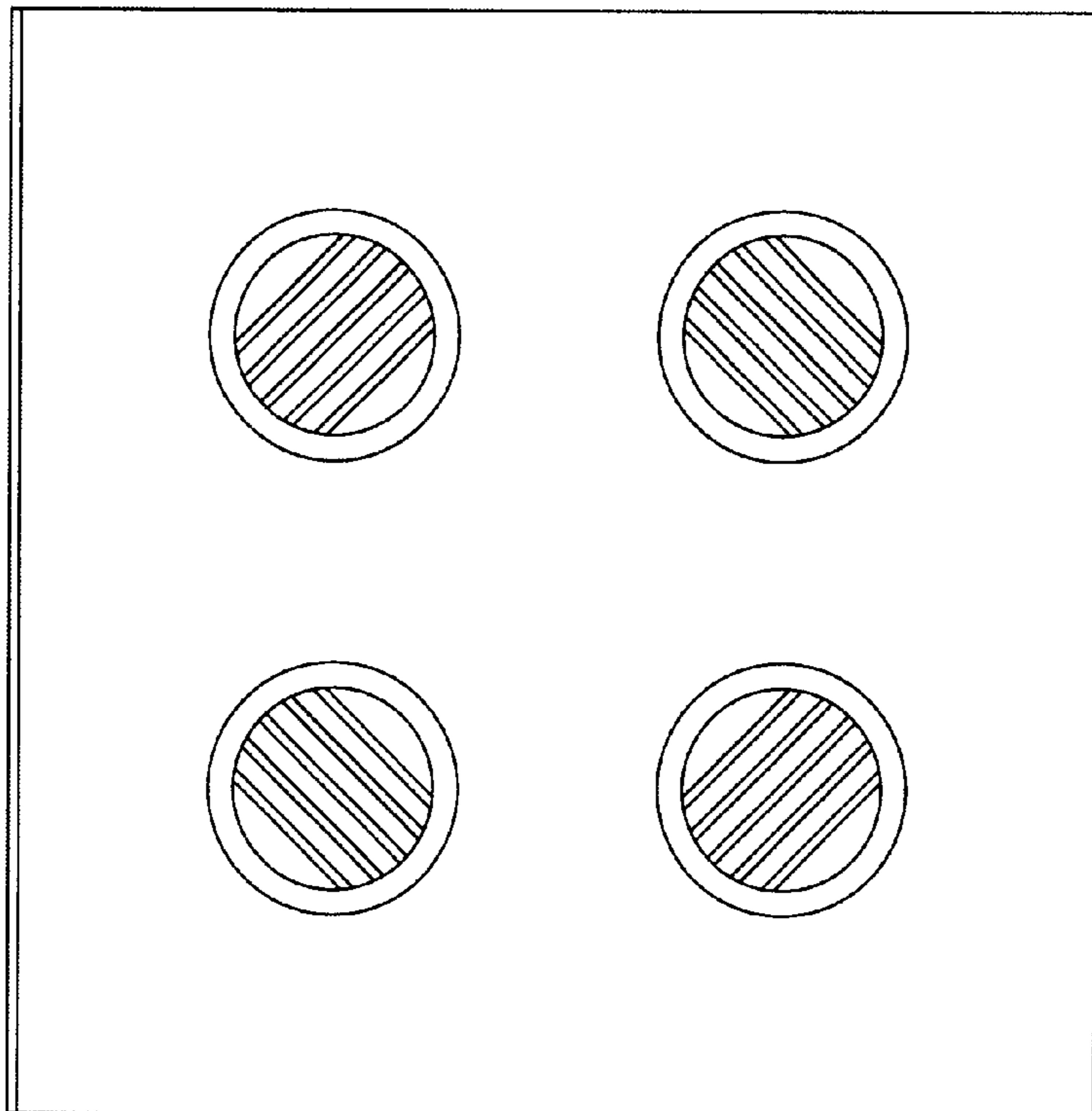


Fig. 6

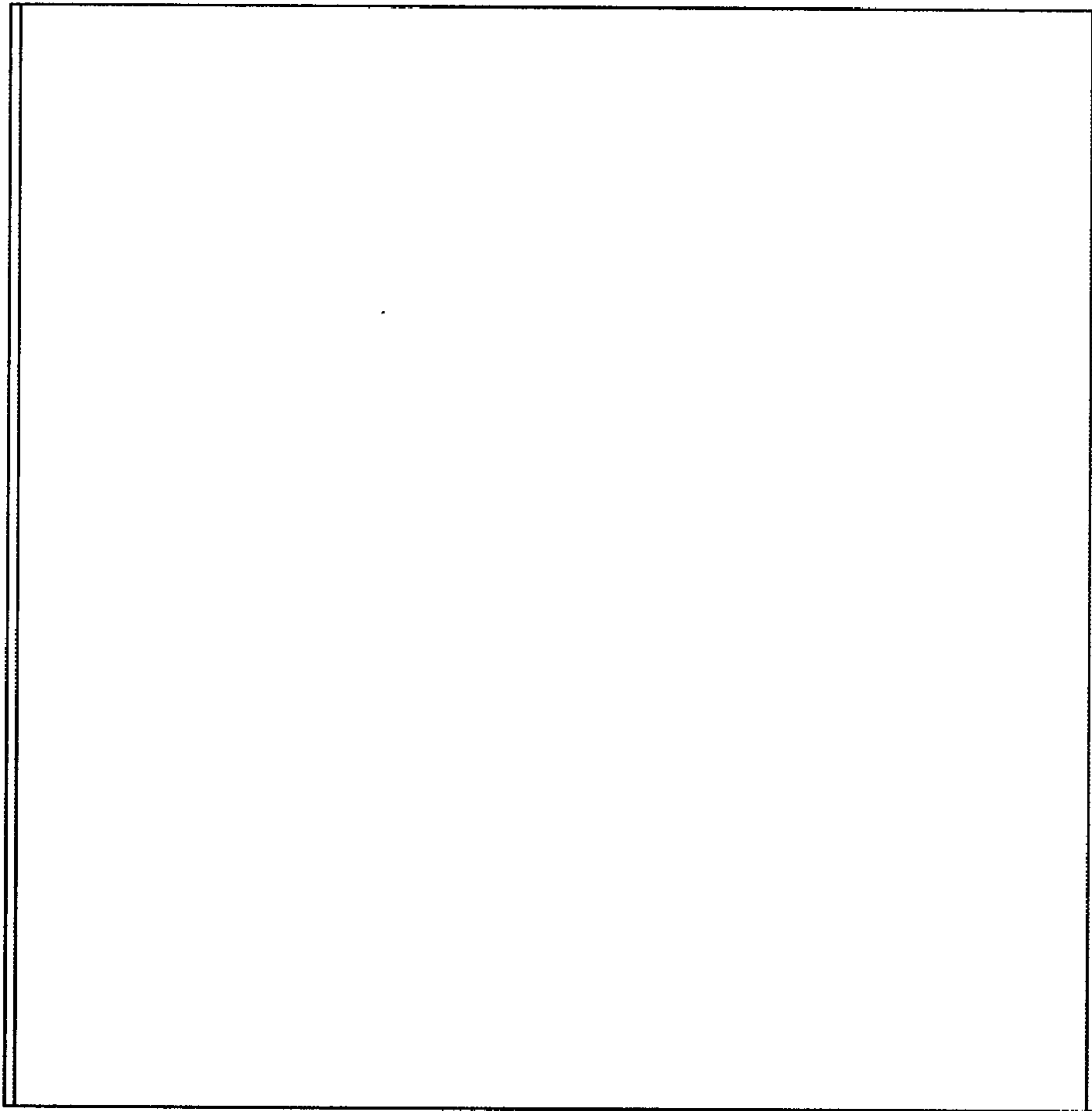


Fig. 7