



US00D534256S

(12) **United States Design Patent**
Lomeli

(10) **Patent No.:** **US D534,256 S**

(45) **Date of Patent:** **** Dec. 26, 2006**

(54) **RESTROOM ODOR REDUCER SYSTEM**

(76) Inventor: **Ricardo Lomeli**, 6400 Kraft Ave. #12,
North Hollywood, CA (US) 91606

(**) Term: **14 Years**

(21) Appl. No.: **29/240,100**

(22) Filed: **Oct. 11, 2005**

(51) **LOC (8) Cl.** **23-02**

(52) **U.S. Cl.** **D23/309**

(58) **Field of Classification Search** D23/303,
D23/309, 311-312; 4/485-486, 217, 234,
4/237-329, 424.1, 661

See application file for complete search history.

(56) **References Cited**

U.S. PATENT DOCUMENTS

4,586,201 A	5/1986	Todd, Jr.	
4,617,687 A	10/1986	Wadsworth	
D342,566 S	* 12/1993	Adamowski et al.	D23/311
D344,788 S	* 3/1994	Castro et al.	D23/311
5,369,812 A	* 12/1994	Trombley	4/217
D355,959 S	2/1995	Kaiser	
5,454,122 A	10/1995	Bergeron	
5,671,484 A	9/1997	Lee, III	
D402,747 S	* 12/1998	Yeatts et al.	D23/371
5,850,638 A	12/1998	Her	

D408,508 S * 4/1999 Lopez D23/311
6,202,226 B1 * 3/2001 Shoptaugh 4/209 R

* cited by examiner

Primary Examiner—Robert A. Delehanty

(57) **CLAIM**

The ornamental design for a restroom odor reducer system,
as shown.

DESCRIPTION

A visually discrete ornamental design for a plastic toilet seat
with a series of intake vents and a rubber gasket to conceal
the space between the seat and the bowl.

FIG. 1 is a top perspective view of my design showing the
seat and separate filtering unit;

FIG. 2 is a bottom view perspective of FIG. 1 showing the
intake vents in the seat and rubber gasket seal;

FIG. 3 is a left side perspective view of the seat and filtering
unit;

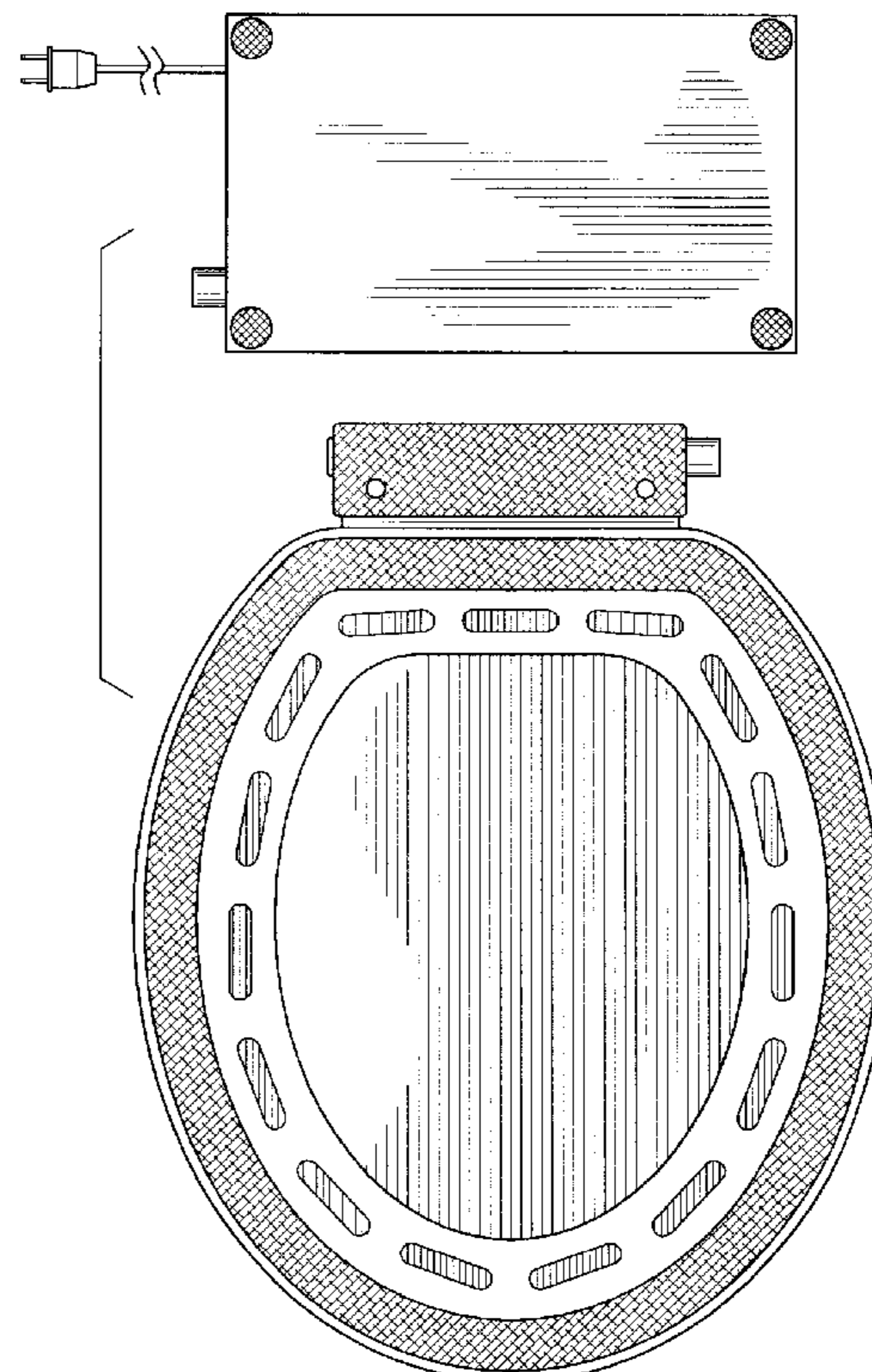
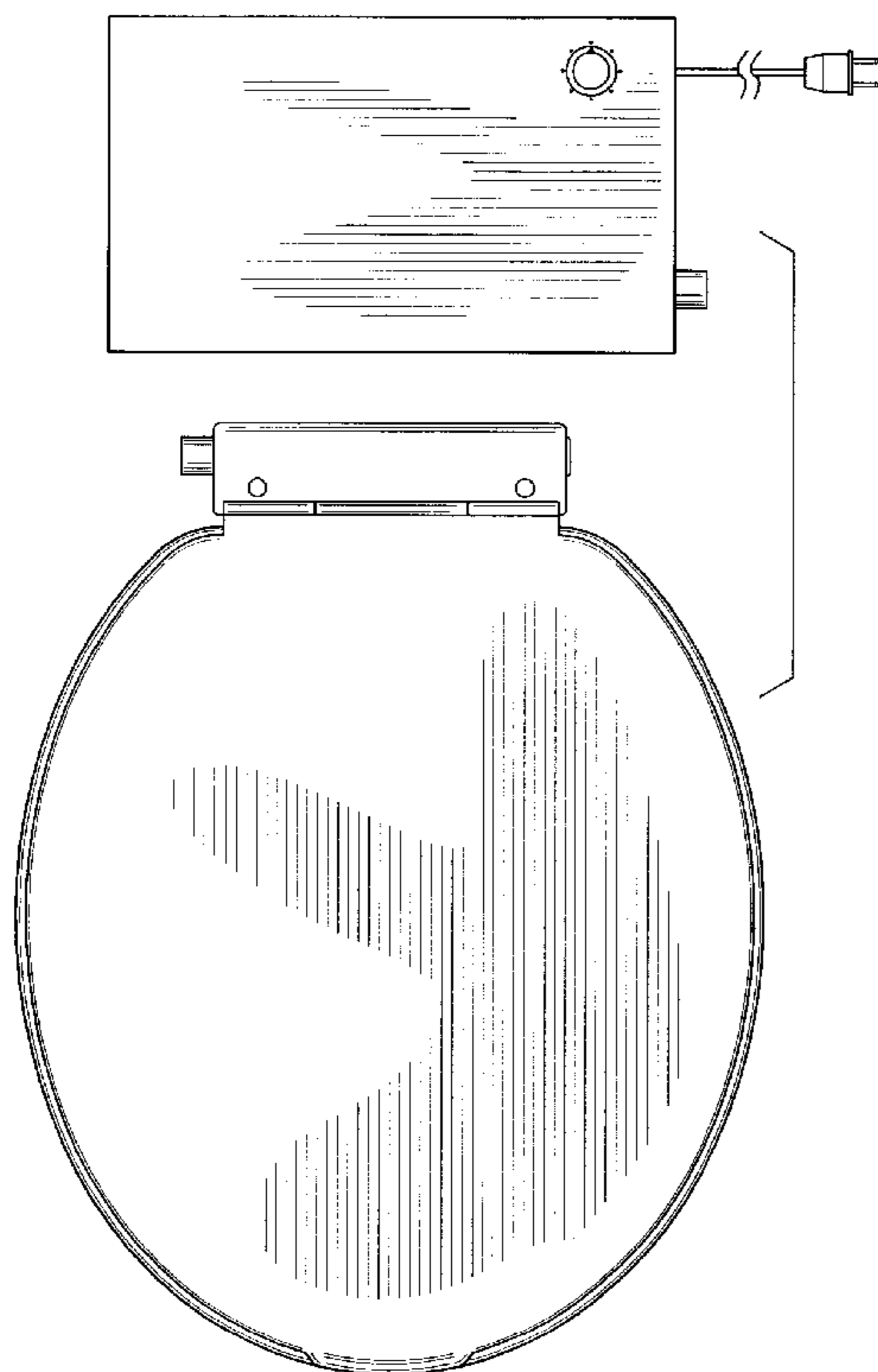
FIG. 4 is a right side perspective view of the seat and
filtering unit;

FIG. 5 is a top view of the unit; and,

FIG. 6 is a bottom view of unit.

The cord is shown broken away to indicate indeterminate
length.

1 Claim, 3 Drawing Sheets



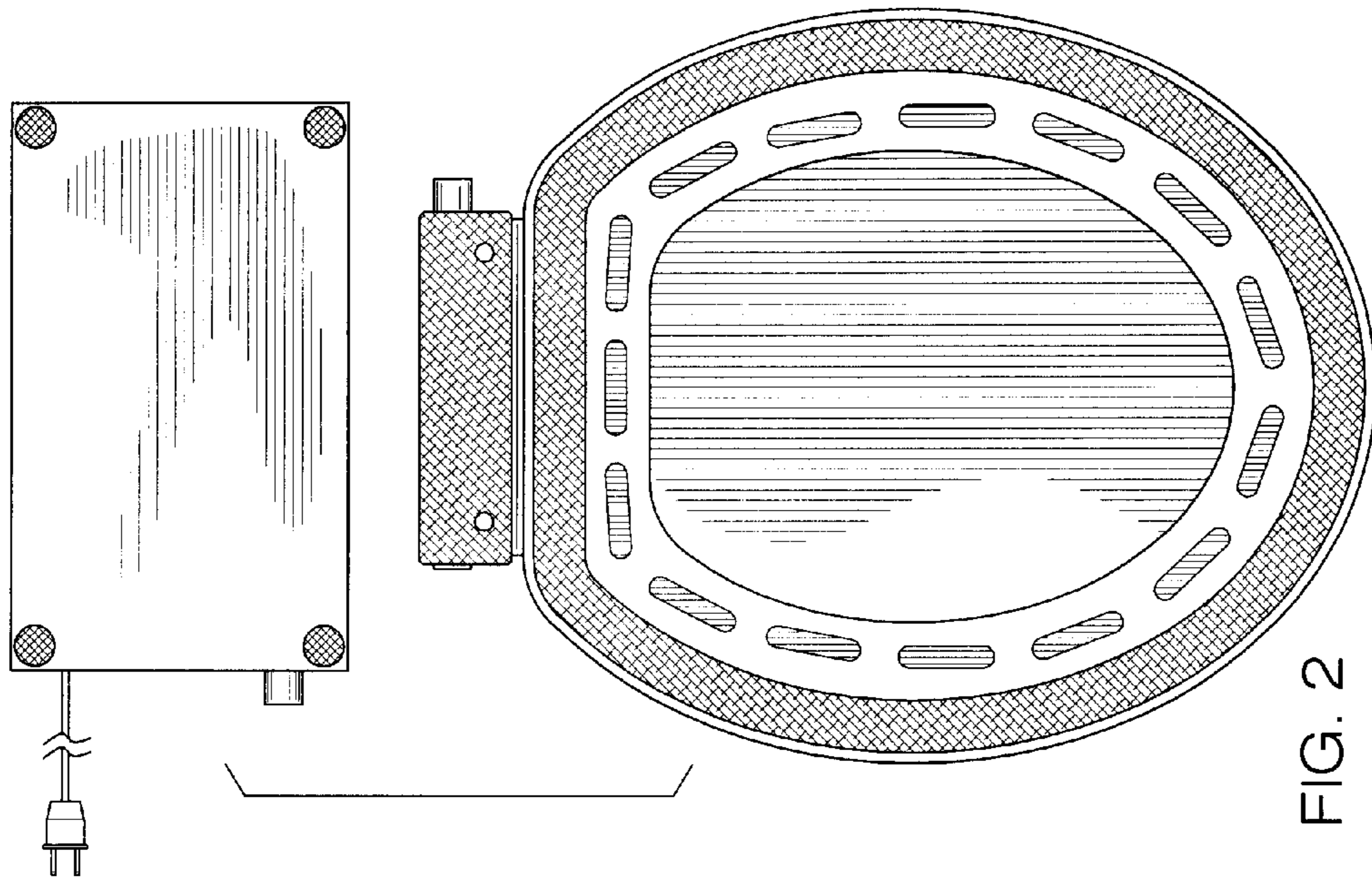


FIG. 2

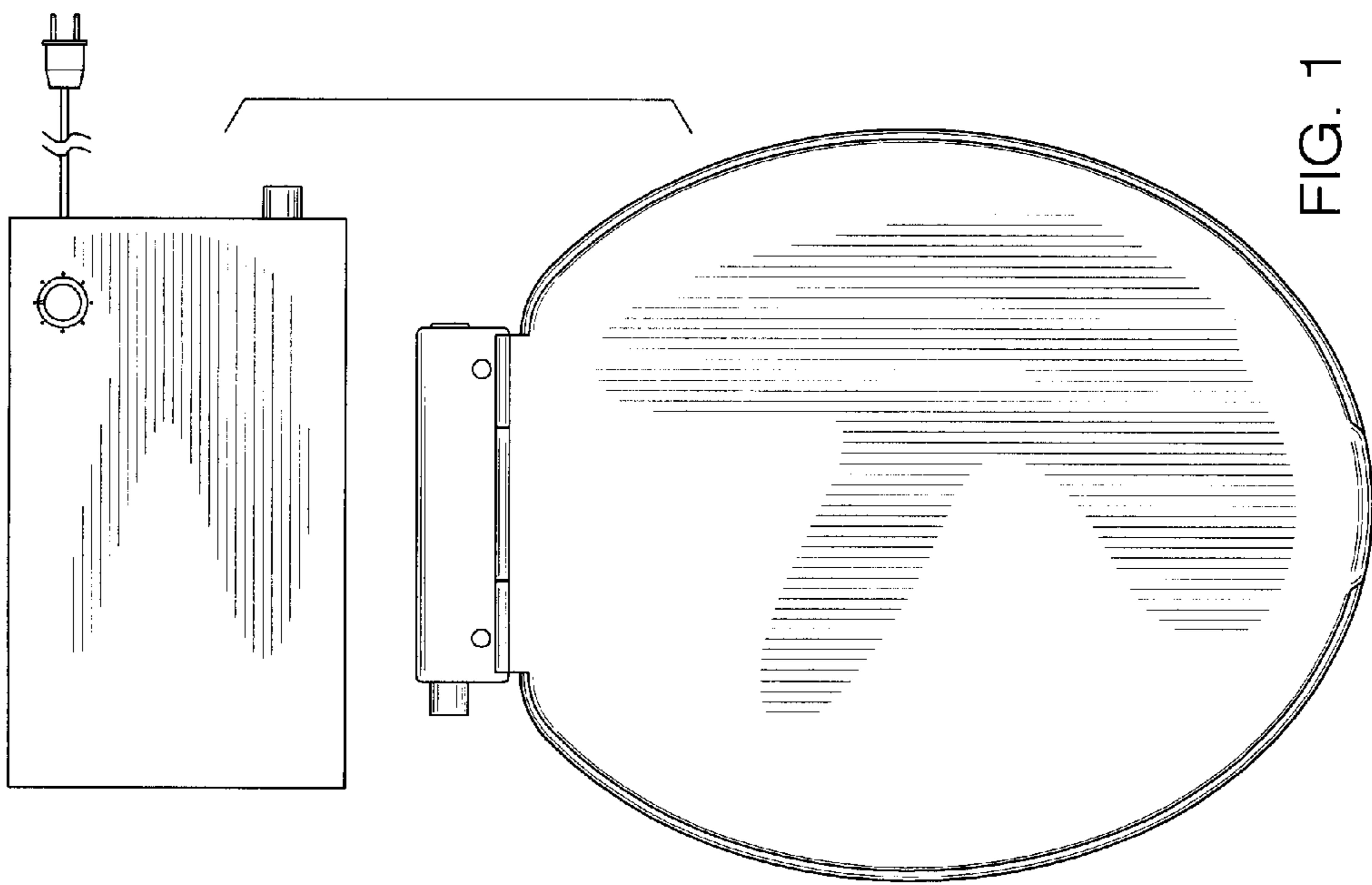
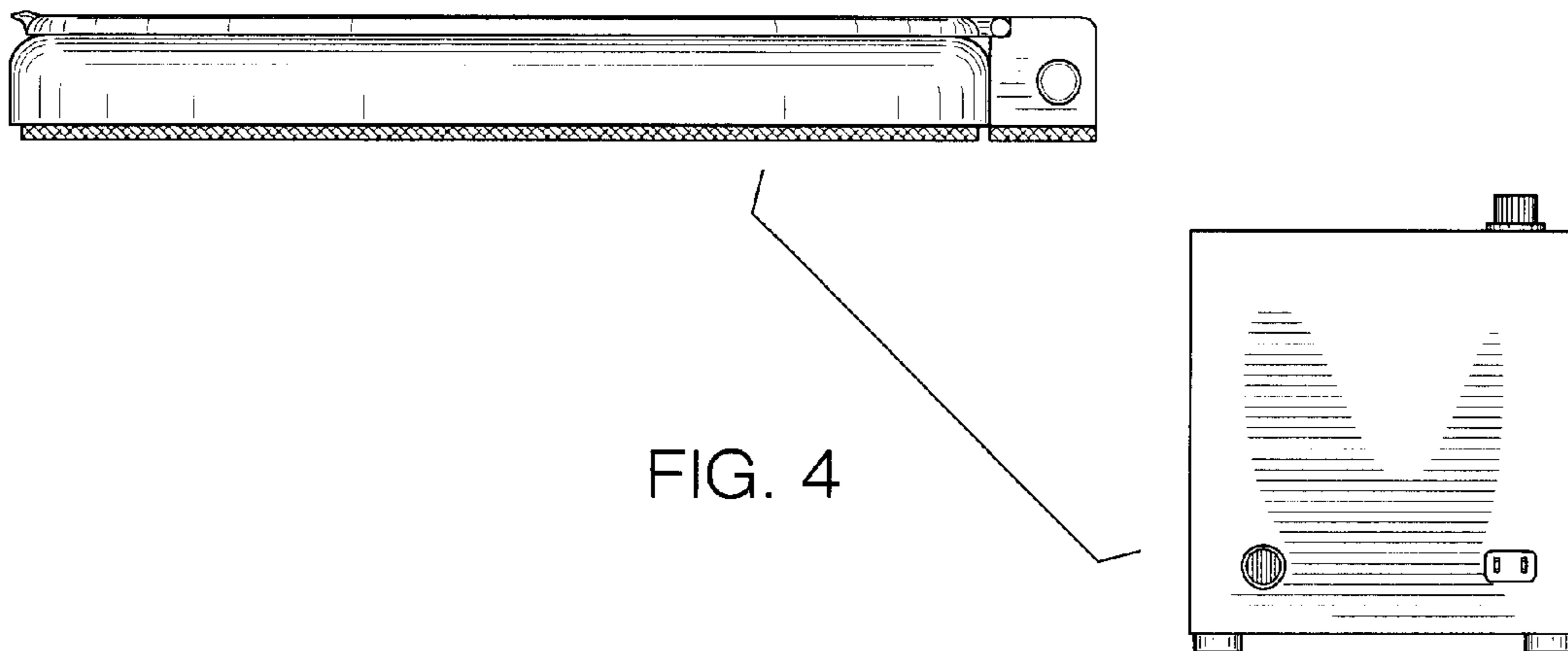
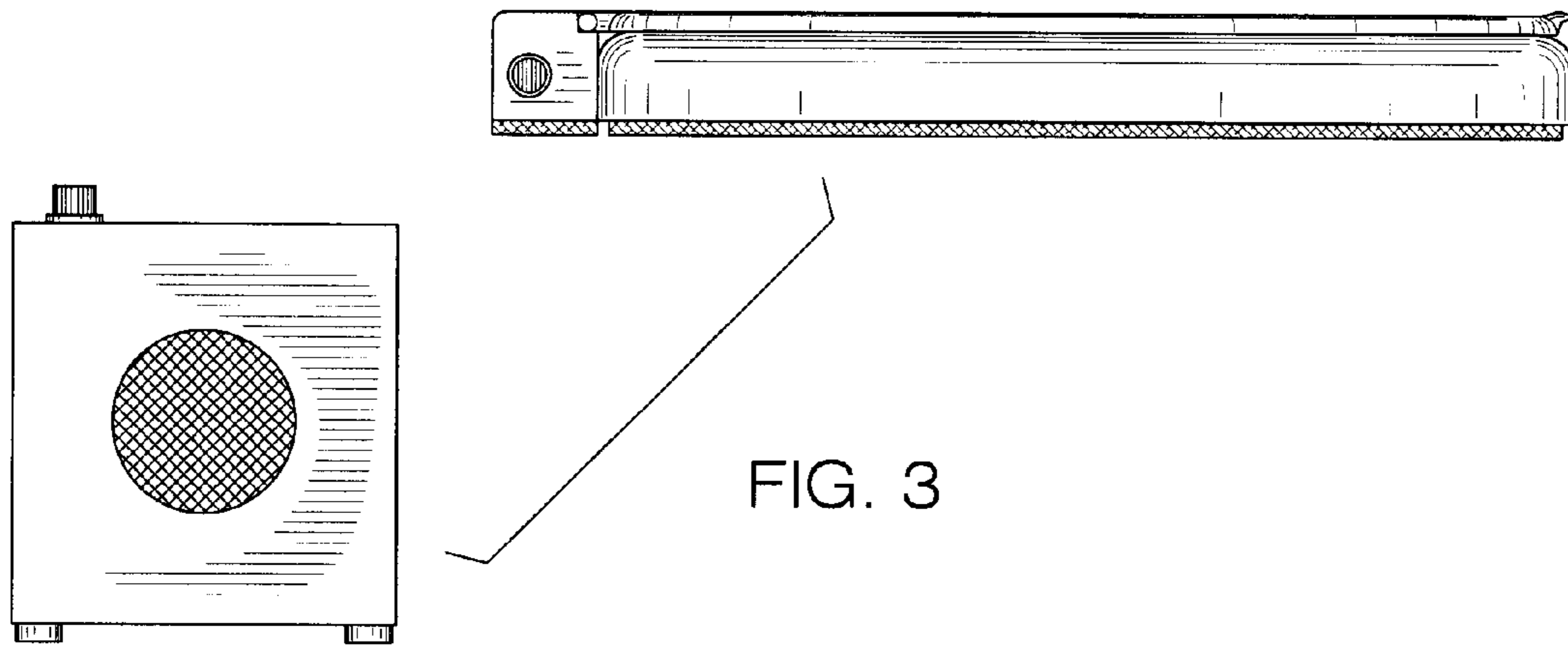


FIG. 1



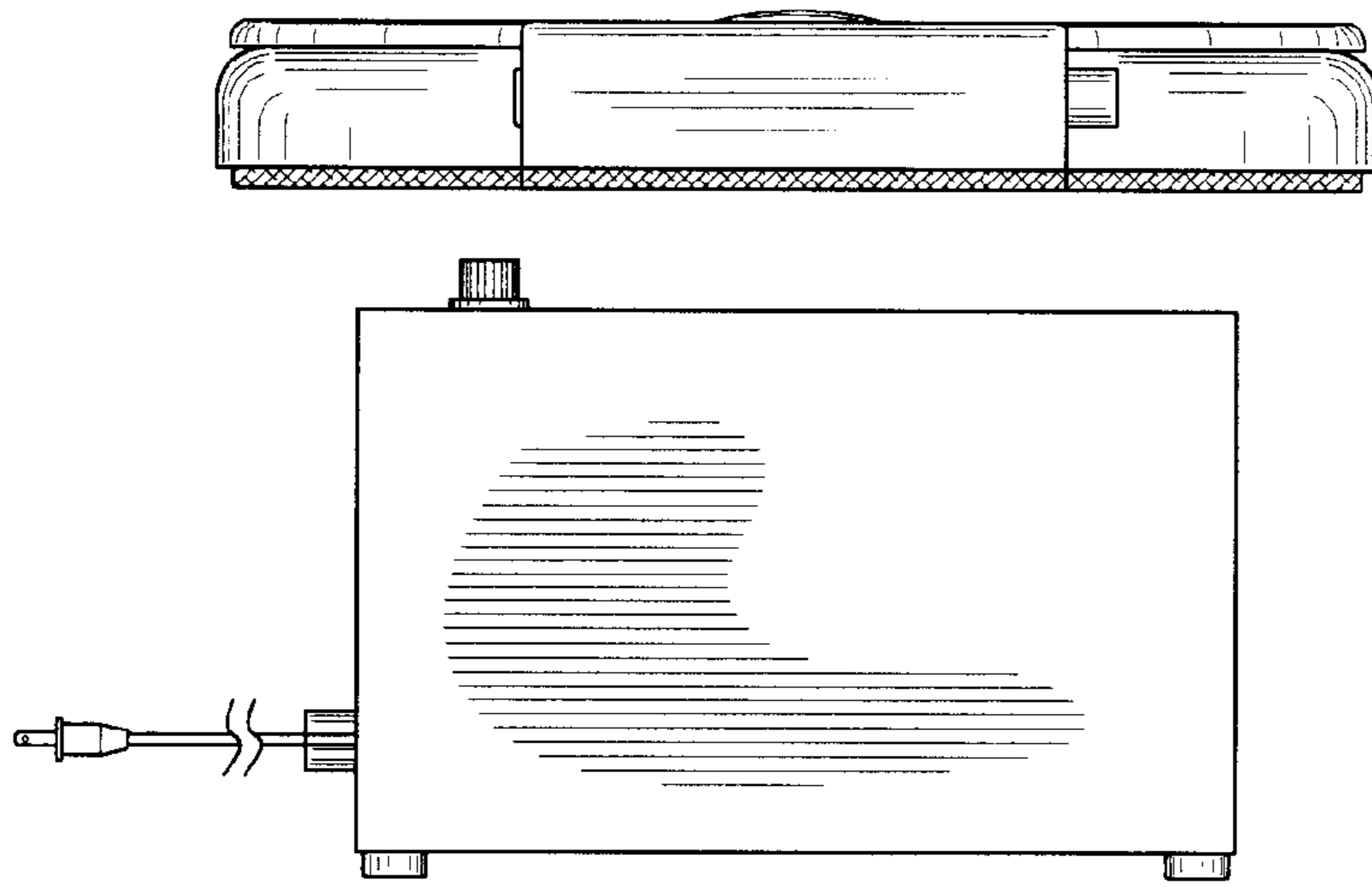


FIG. 5

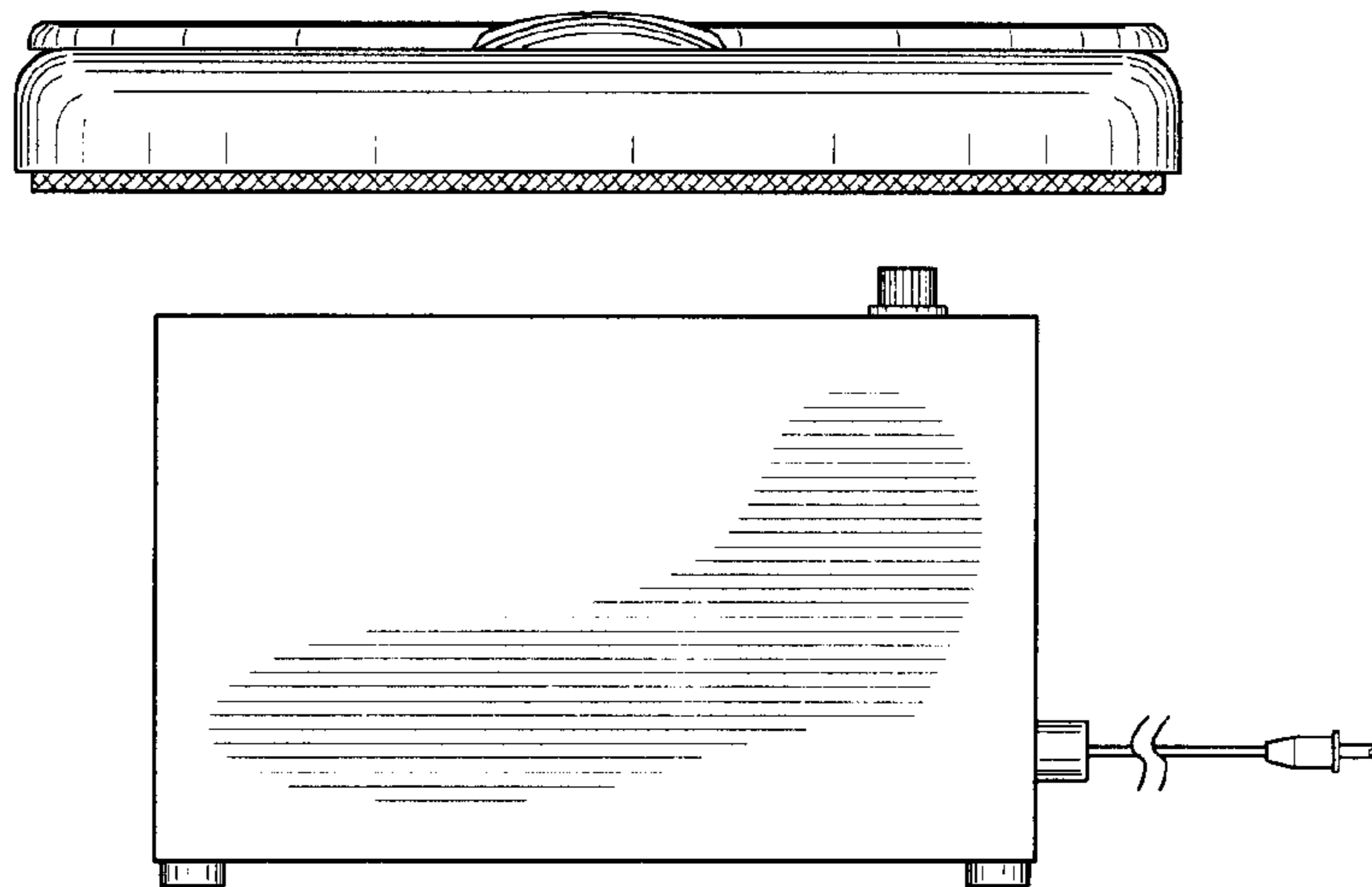


FIG. 6