



US00D534252S

(12) **United States Design Patent**  
**Bouroullec et al.**

(10) **Patent No.:** **US D534,252 S**

(45) **Date of Patent:** **\*\* Dec. 26, 2006**

(54) **FAUCET SPOUT**

(75) Inventors: **Ronan Bouroullec**, Saint-Louis (FR);  
**Erwan Bouroullec**, Saint-Louis (FR)

(73) Assignee: **Hansgrohe AG** (DE)

(\*\*) Term: **14 Years**

(21) Appl. No.: **29/239,478**

(22) Filed: **Sep. 30, 2005**

(30) **Foreign Application Priority Data**

Apr. 8, 2005 (EM) ..... 000324223-0002

(51) **LOC (8) Cl.** ..... **23-01**

(52) **U.S. Cl.** ..... **D23/255**

(58) **Field of Classification Search** ..... D23/238-257;  
4/675-678; 137/801

See application file for complete search history.

(56) **References Cited**

**U.S. PATENT DOCUMENTS**

D190,711 S \* 6/1961 Kohler ..... D23/242

D267,111 S \* 11/1982 Arnolds ..... D23/242

D493,210 S \* 7/2004 Citterio ..... D23/238  
D517,655 S \* 3/2006 Ogata et al. .... D23/241

\* cited by examiner

*Primary Examiner*—Louis S. Zarfes

*Assistant Examiner*—Gregory Andoll

(74) *Attorney, Agent, or Firm*—Kwadjo Adusei-Poku;  
Lloyd D. Doigan

(57) **CLAIM**

The ornamental design for a faucet spout, as shown and described.

**DESCRIPTION**

FIG. 1 is a front perspective view of a faucet spout showing our design;

FIG. 2 is a front elevational view thereof;

FIG. 3 is a rear elevational view thereof;

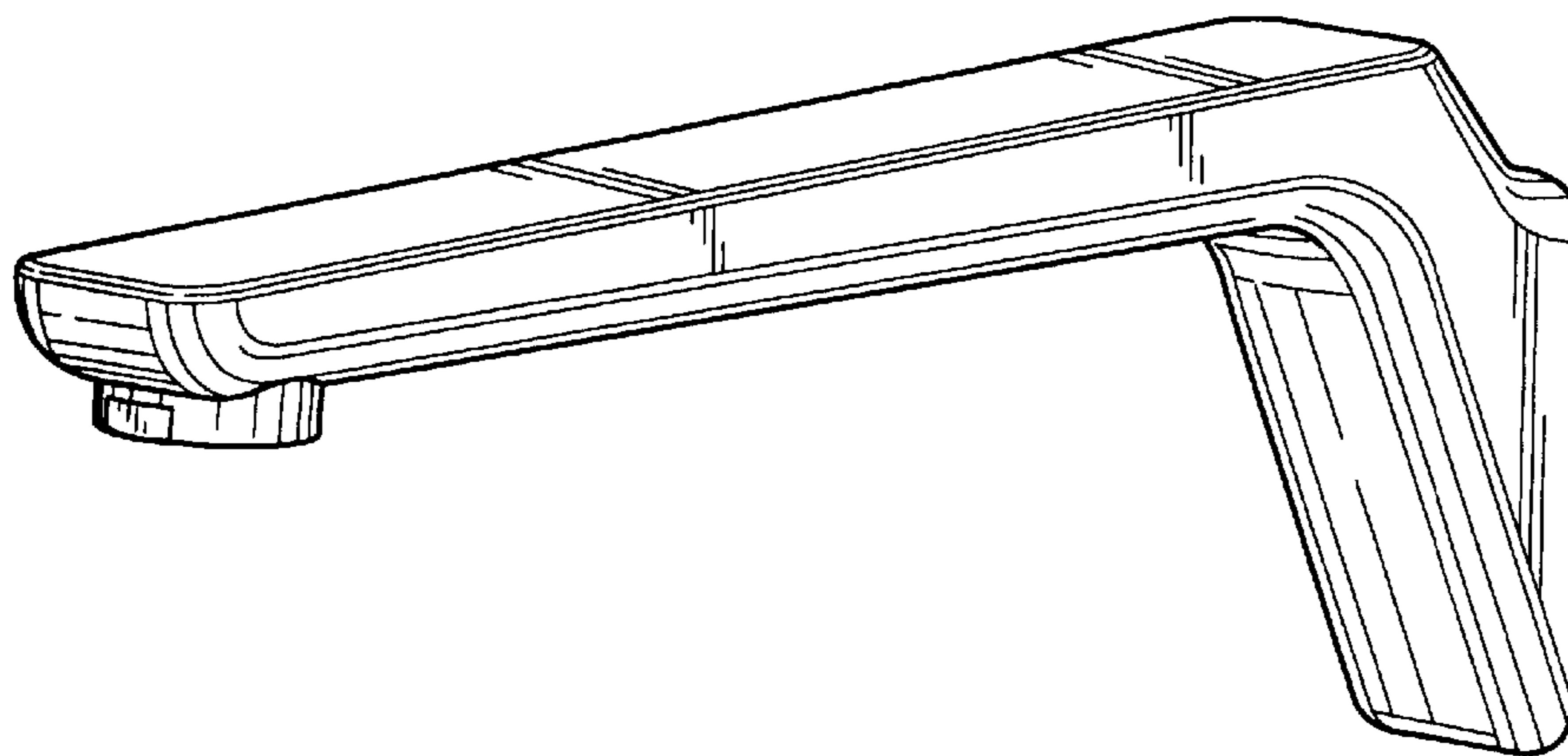
FIG. 4 is a top plan view thereof;

FIG. 5 is a left side elevational view thereof; the right side elevational view being a mirror image thereof; and,

FIG. 6 is a bottom plan view thereof.

The broken lines in the Figures are for illustrative purposes only and form no part of the claimed design.

**1 Claim, 2 Drawing Sheets**



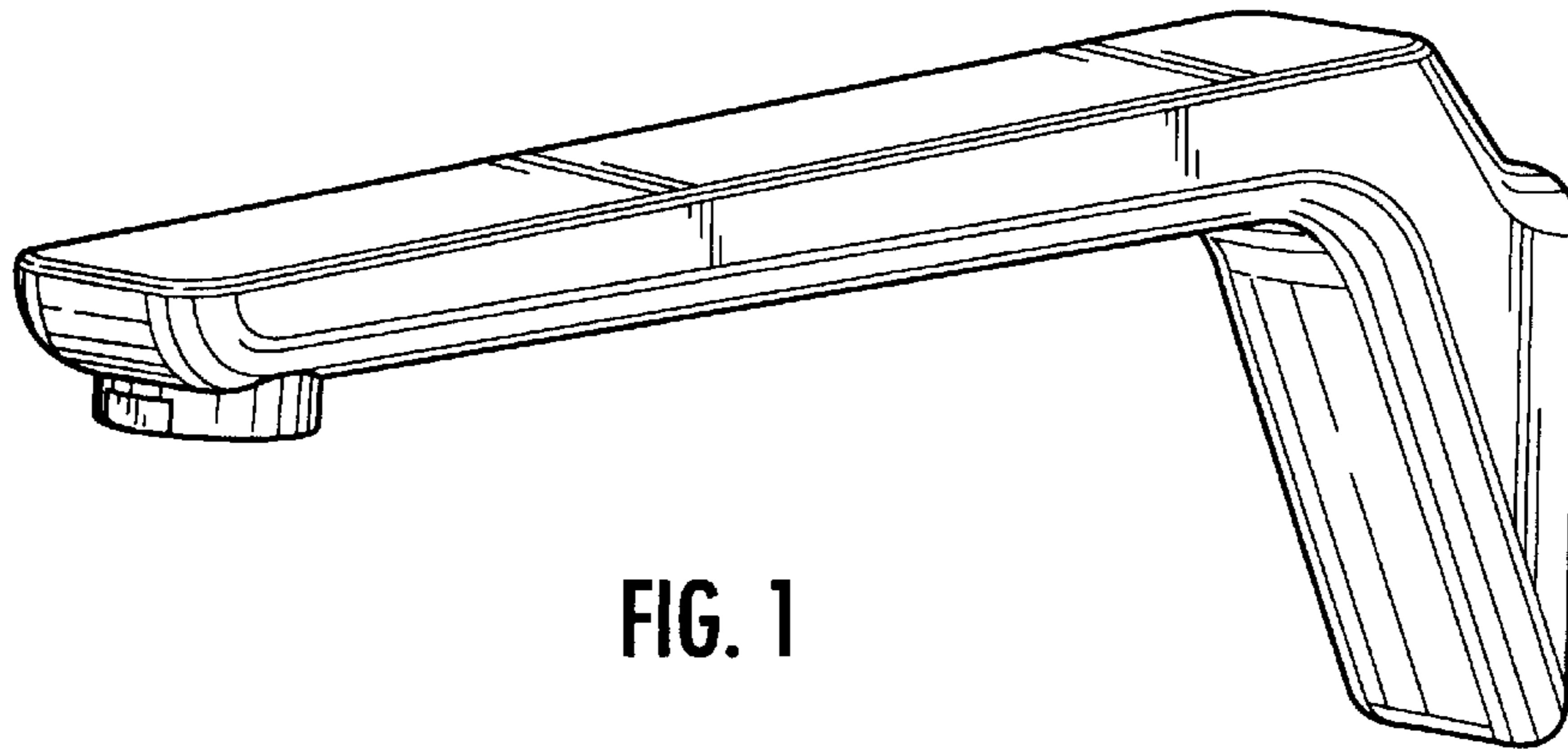


FIG. 1

FIG. 2

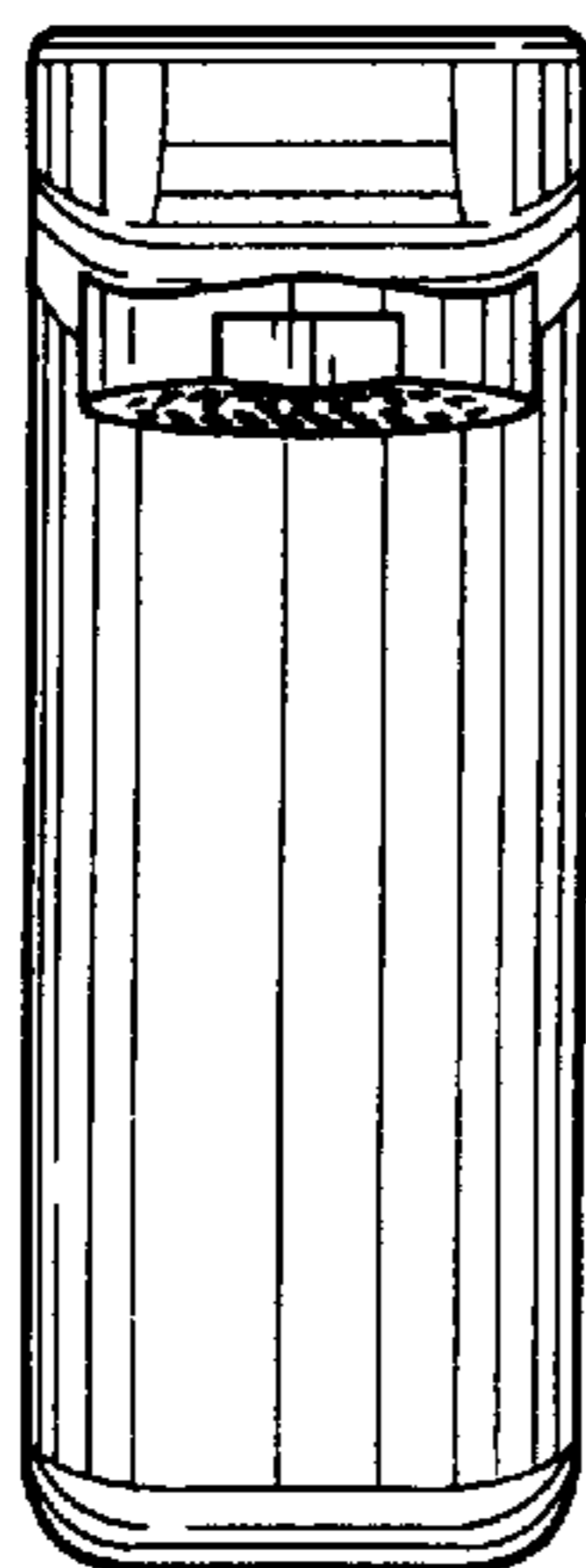


FIG. 3

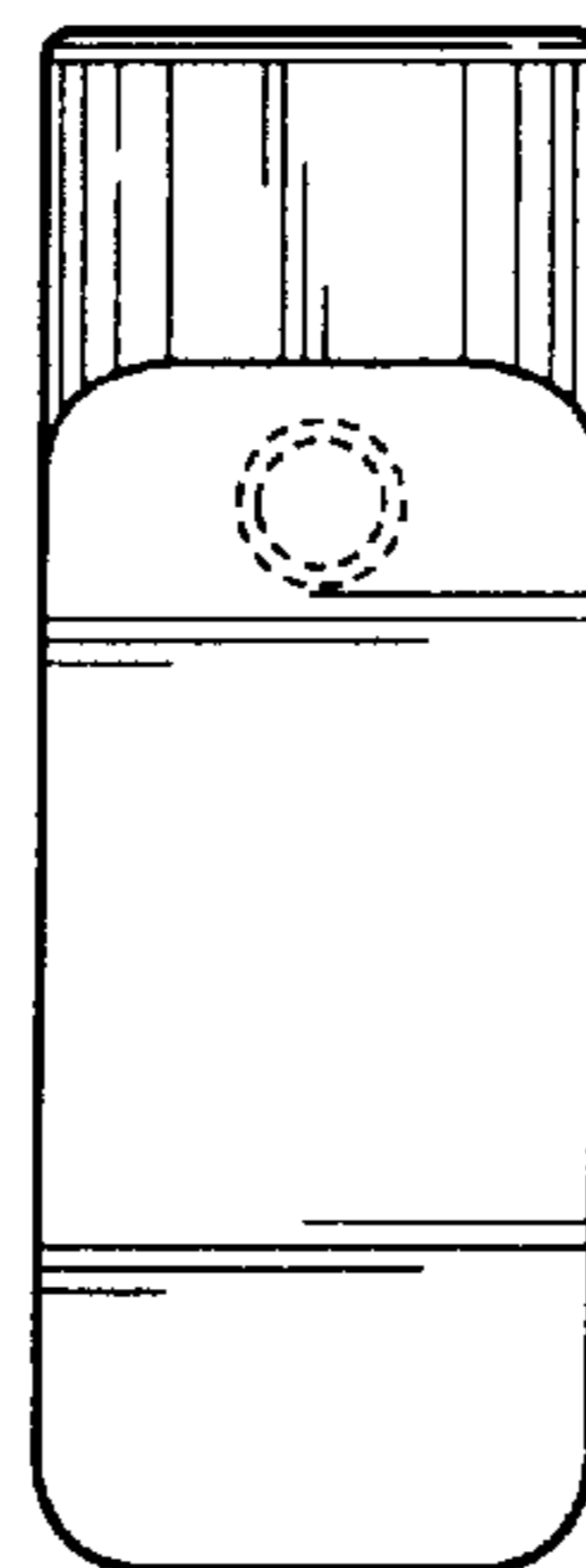


FIG. 4

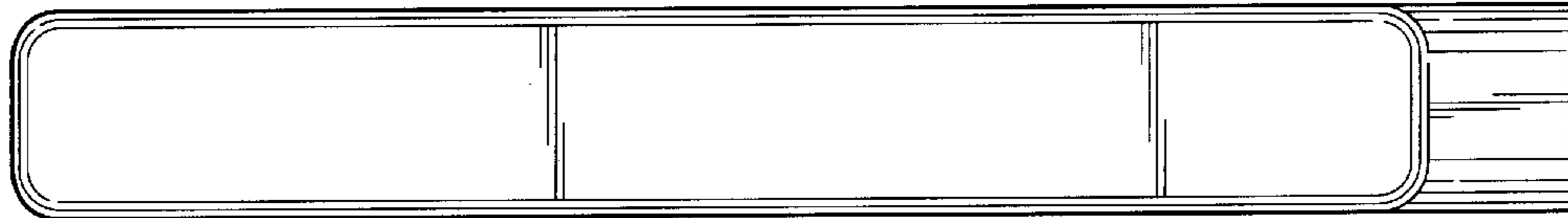


FIG. 5

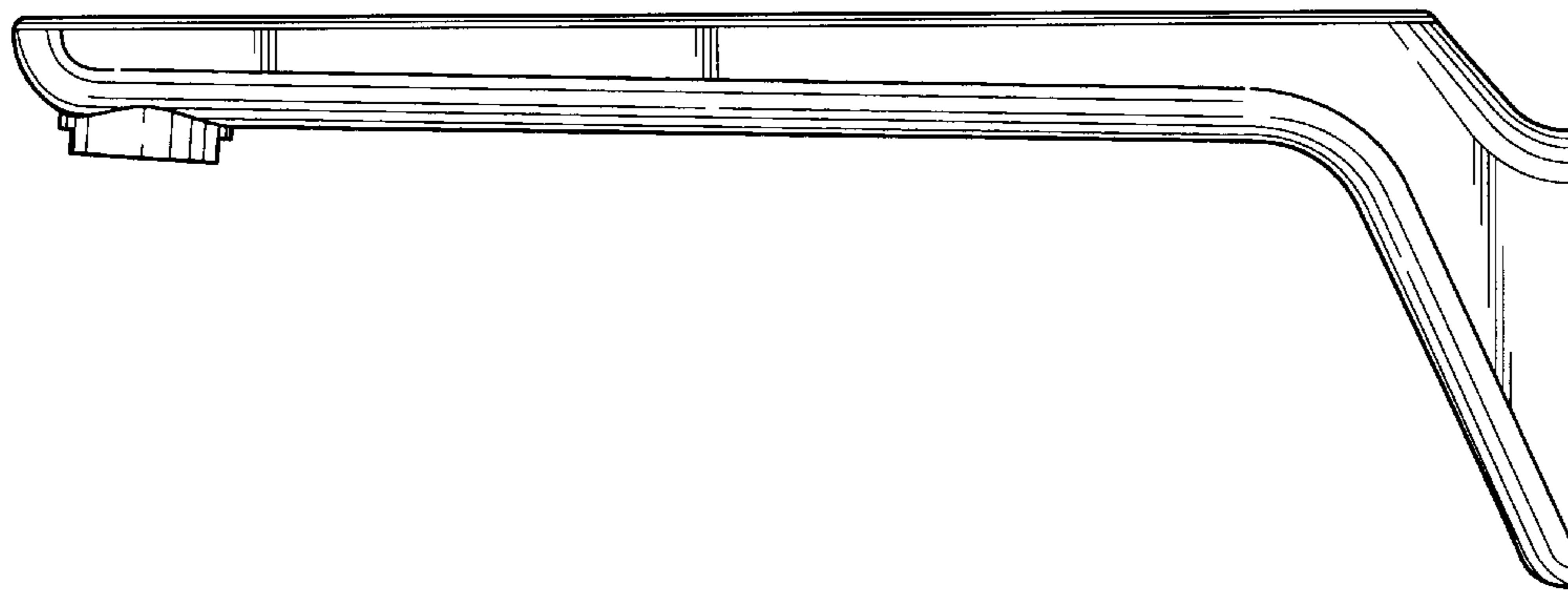


FIG. 6

