



US00D534248S

(12) **United States Design Patent**
Chu et al.

(10) **Patent No.:** **US D534,248 S**

(45) **Date of Patent:** **** Dec. 26, 2006**

(54) **FAUCET HANDLE**

(75) Inventors: **Aaron Chu**, Taichung (TW); **Ken Hsui**,
Taichung (TW); **JC Lai**, Taichung
(TW)

(73) Assignee: **Globe Union Industrial Corp.**,
Taichung (TW)

(**) Term: **14 Years**

(21) Appl. No.: **29/235,110**

(22) Filed: **Jul. 28, 2005**

(51) **LOC (8) Cl.** **23-01**

(52) **U.S. Cl.** **D23/252**

(58) **Field of Classification Search** D23/238–257;
D8/250–257, 300–322, DIG. 3; 16/110.1;
4/675–678; 137/801

See application file for complete search history.

(56) **References Cited**

U.S. PATENT DOCUMENTS

D325,772 S	*	4/1992	Carr	D23/252
D458,347 S	*	6/2002	Mullenmeister	D23/252
D460,158 S	*	7/2002	Green et al.	D23/252
D464,405 S	*	10/2002	Lord	D23/252
D474,671 S	*	5/2003	Singtoroj et al.	D8/301
D475,767 S	*	6/2003	Yegyayan et al.	D23/252
D490,502 S	*	5/2004	Ouyoung	D23/252

D495,402 S	*	8/2004	Spiegelberg et al.	D23/252
D496,433 S	*	9/2004	Fritz	D23/252
D507,331 S	*	7/2005	Lord et al.	D23/252
D512,767 S	*	12/2005	Ouyoung	D23/252
D515,182 S	*	2/2006	Ouyoung	D23/252
D517,174 S	*	3/2006	Singtoroj	D23/252

* cited by examiner

Primary Examiner—Louis S. Zarfes

Assistant Examiner—Gregory Andoll

(74) *Attorney, Agent, or Firm*—Leong C. Lei

(57) **CLAIM**

The ornamental design for a faucet handle, as shown and described.

DESCRIPTION

FIG. 1 is a perspective view of a faucet handle showing our new design;

FIG. 2 is a front elevational view thereof;

FIG. 3 is a rear elevational view thereof;

FIG. 4 is a left side elevational view thereof;

FIG. 5 is a right side elevational view thereof;

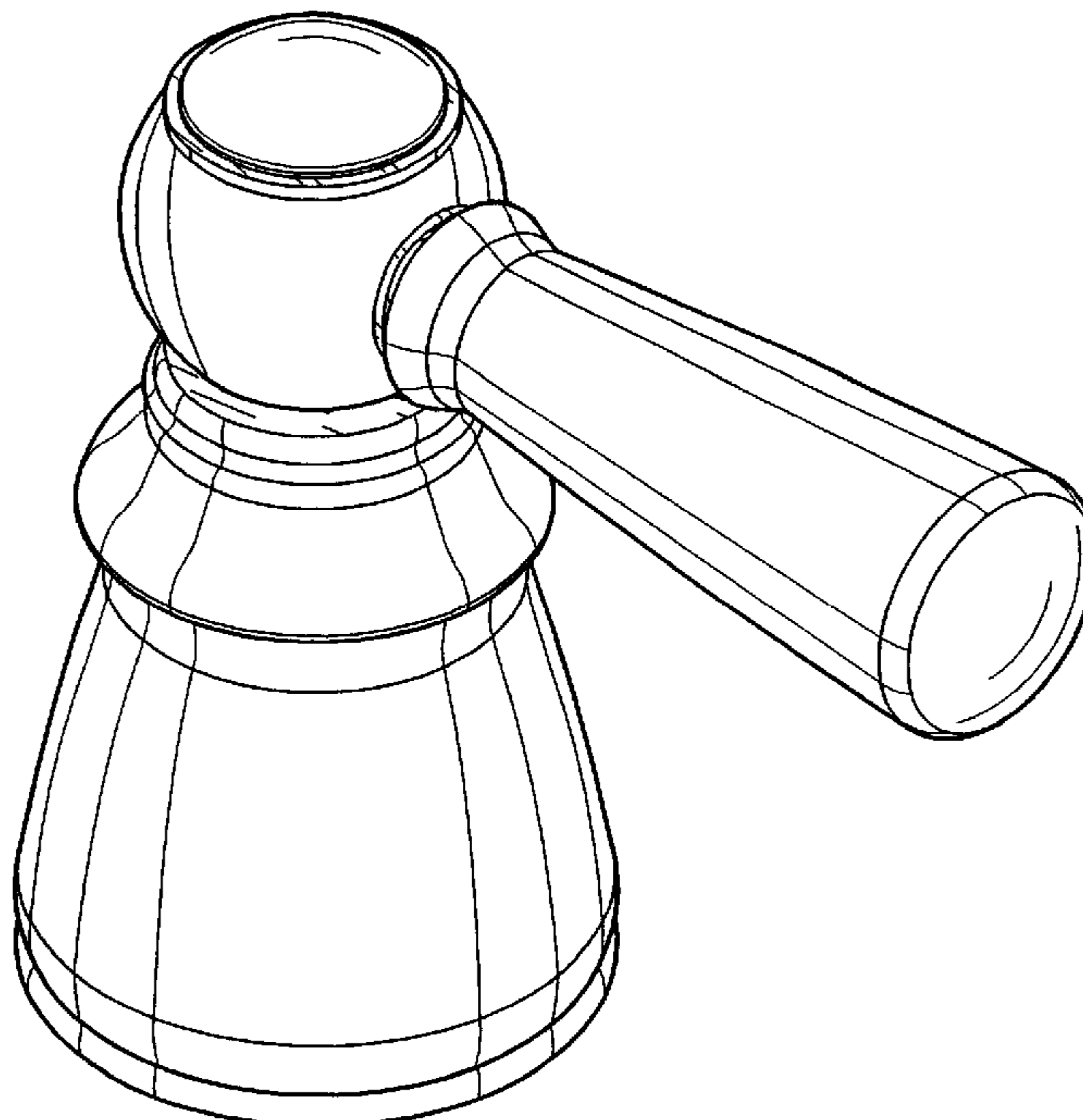
FIG. 6 is a top plan view thereof;

FIG. 7 is a bottom plan view thereof; and,

FIG. 8 is a perspective view, showing the faucet handle engaged with a faucet assembly.

The dotted line portions are for illustrative purposes only and form no part of the claimed design.

1 Claim, 5 Drawing Sheets



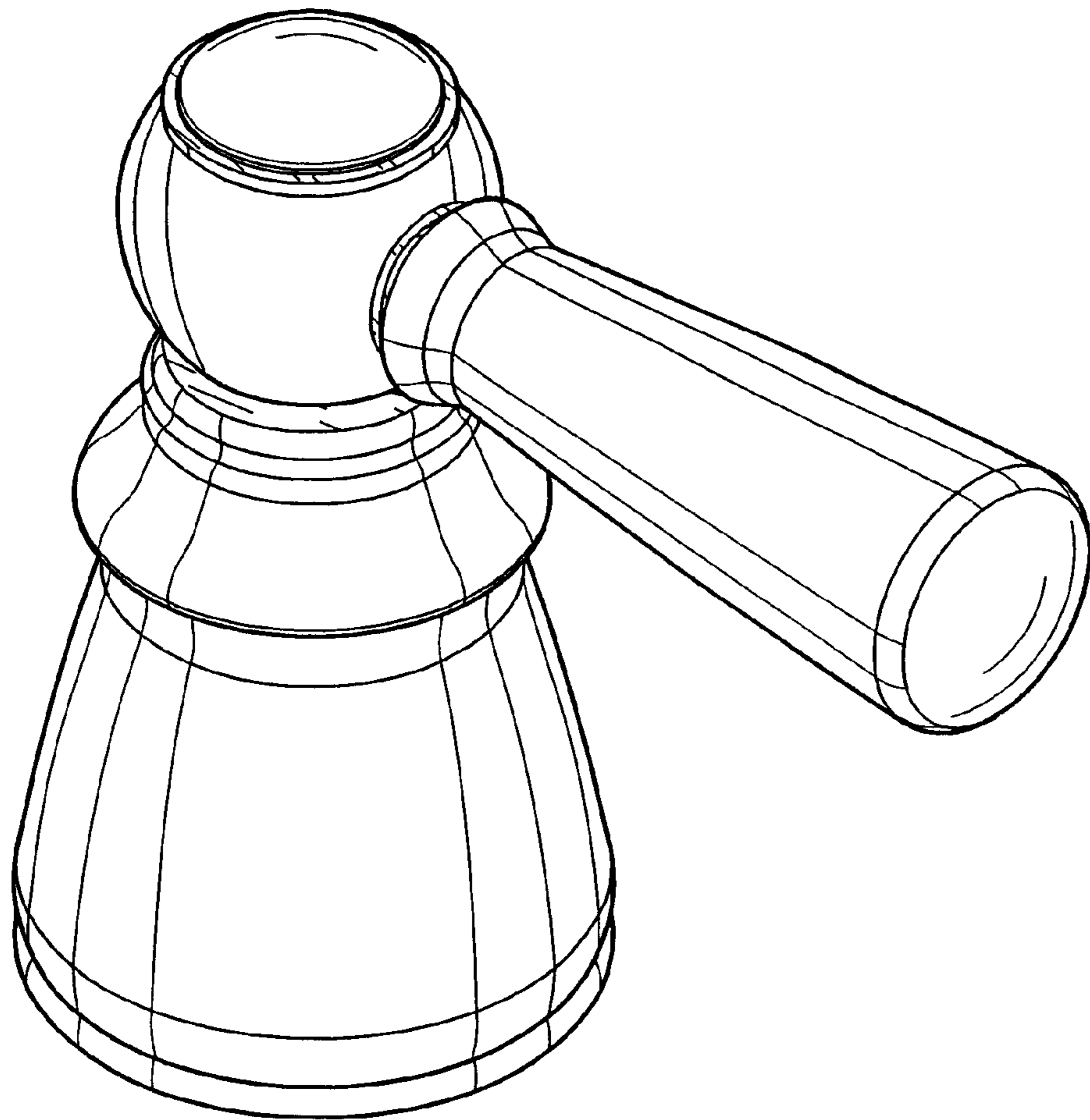


FIG. 1

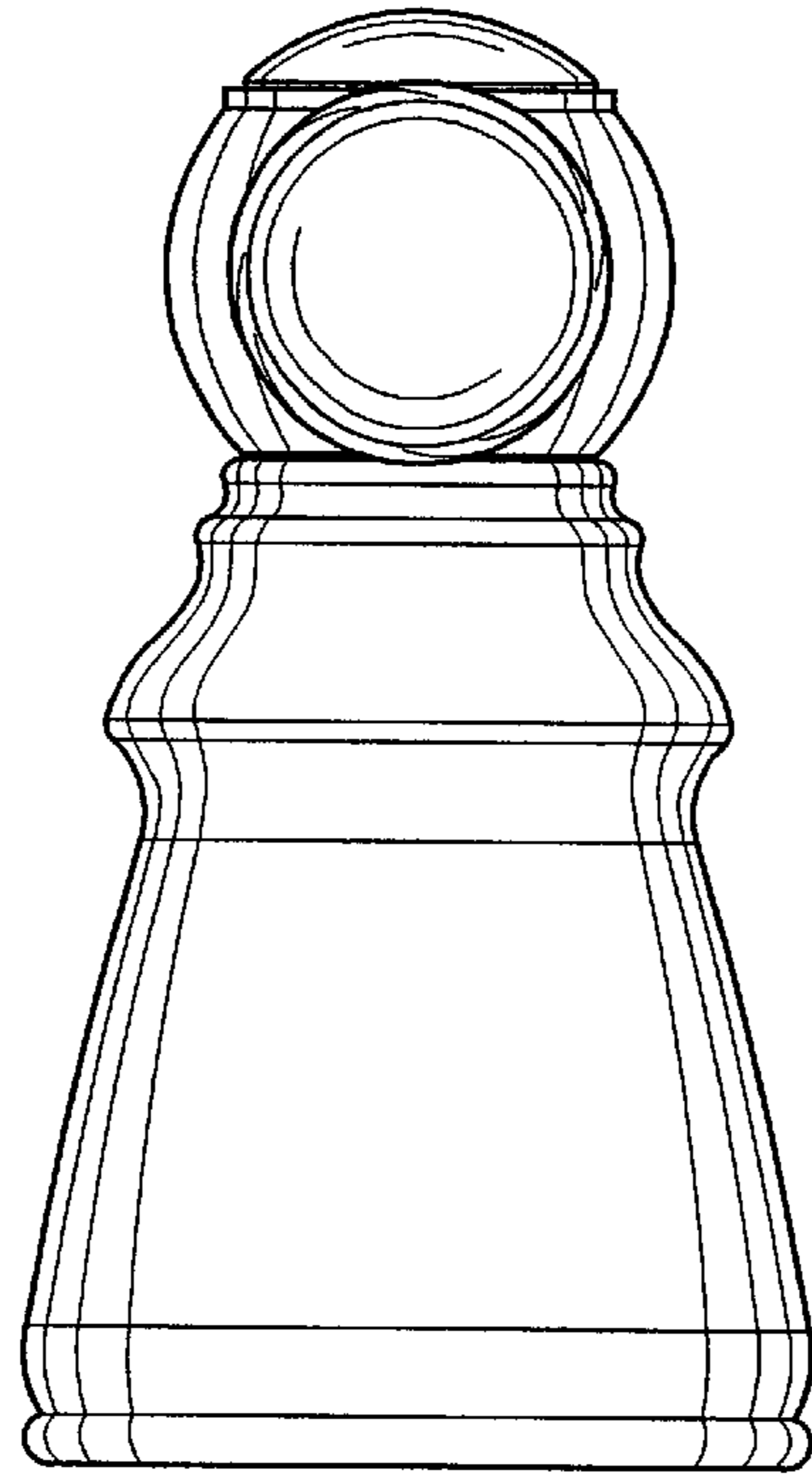


FIG. 2

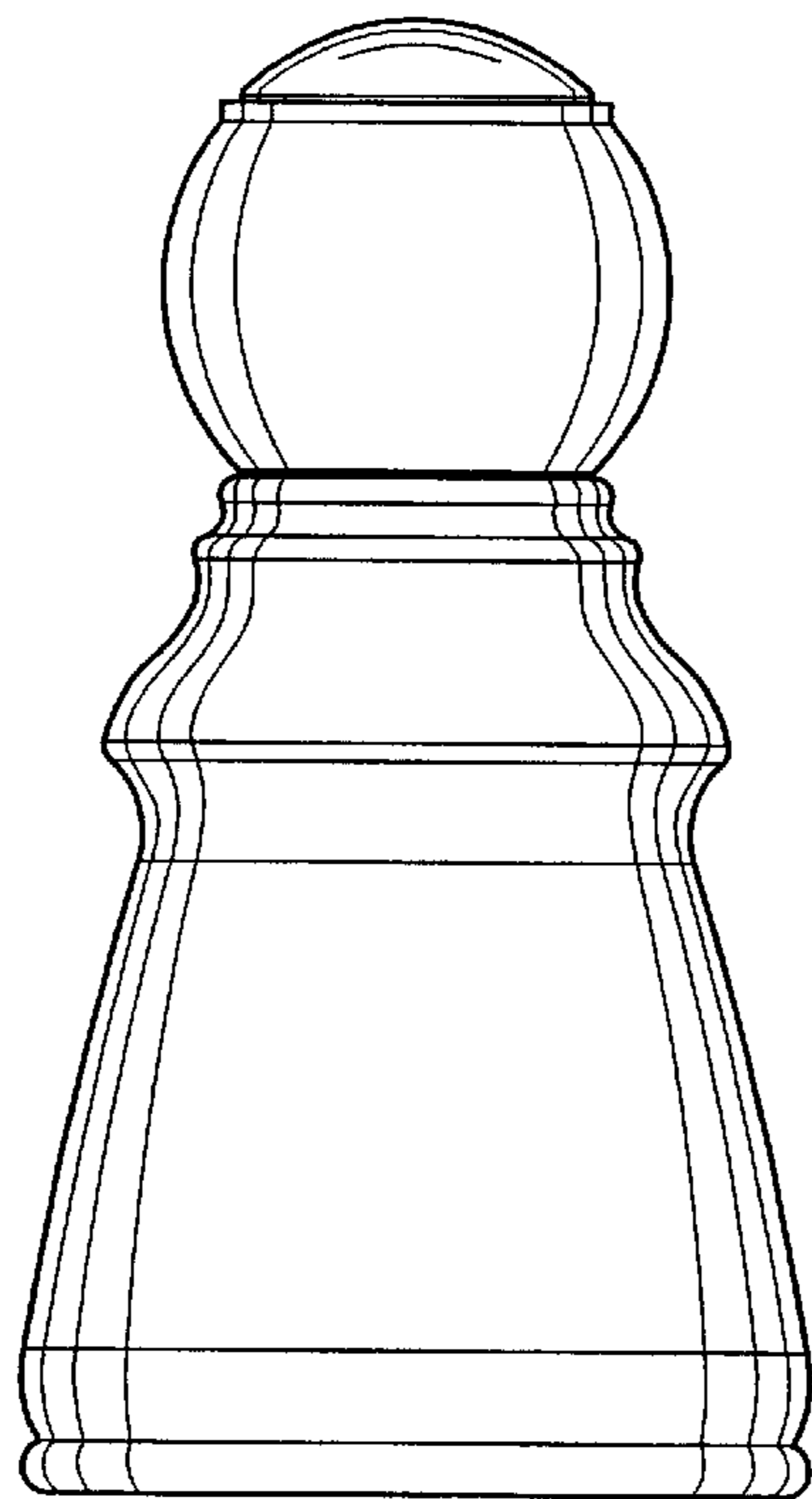


FIG. 3

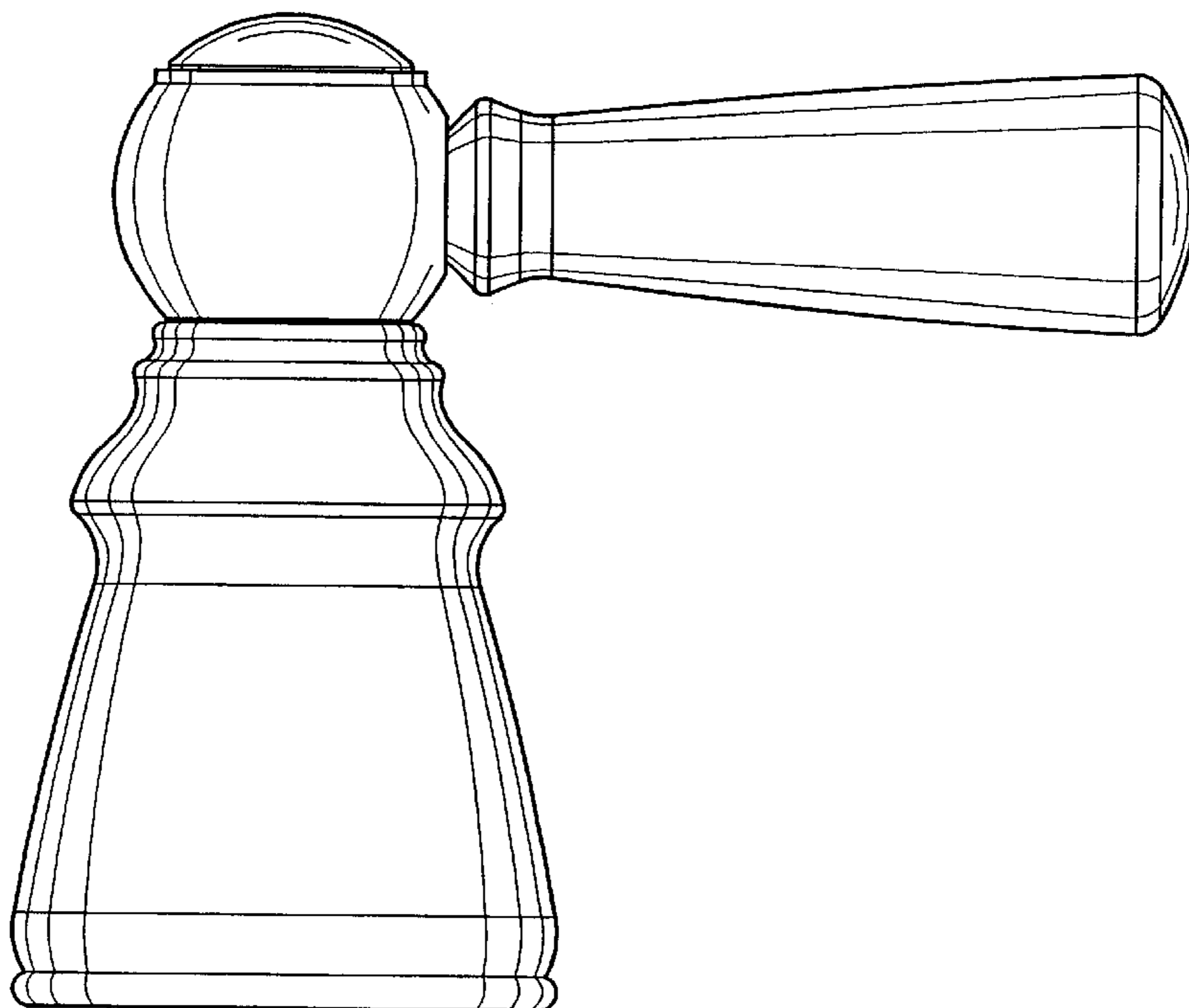


FIG. 4

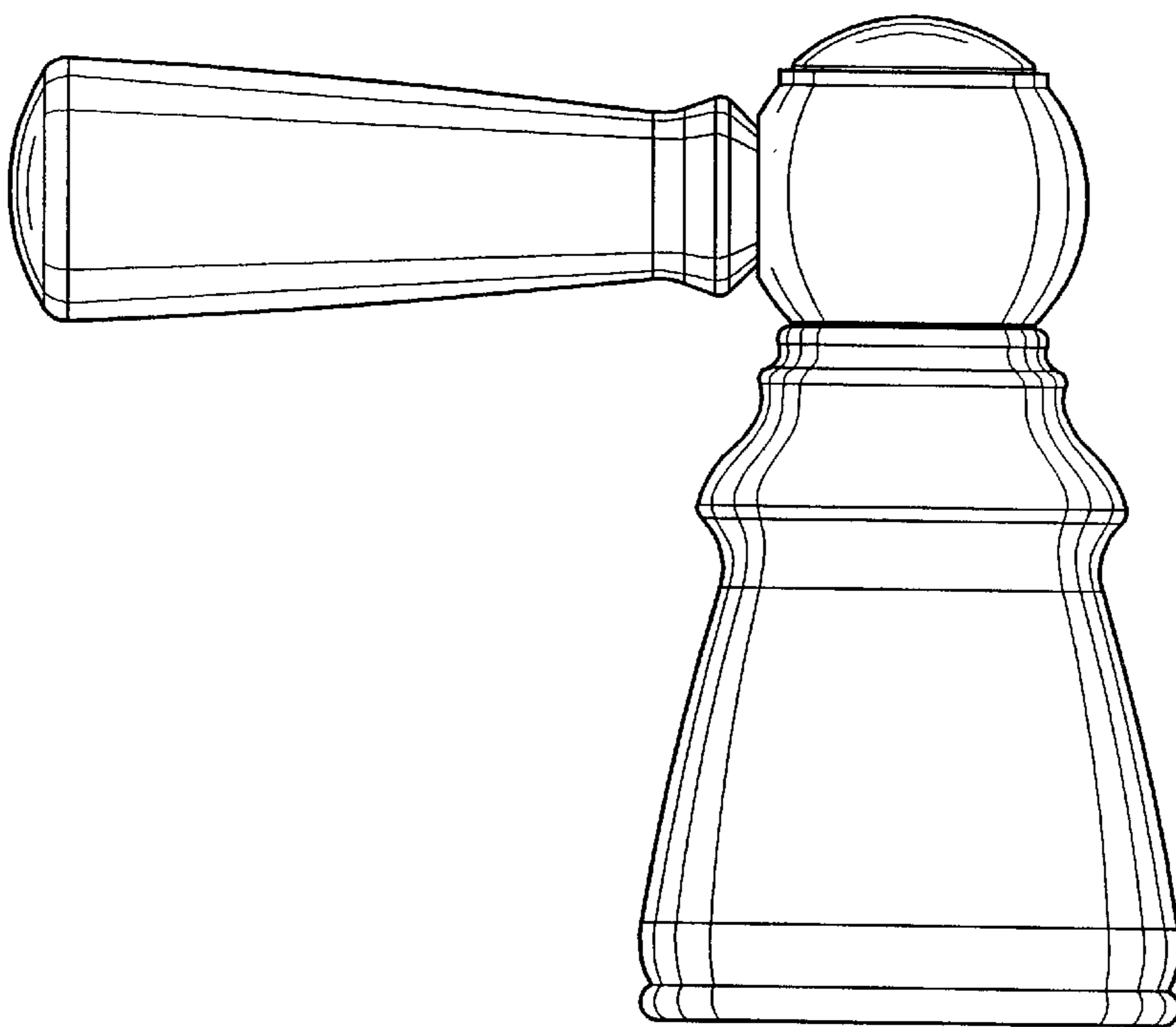


FIG. 5

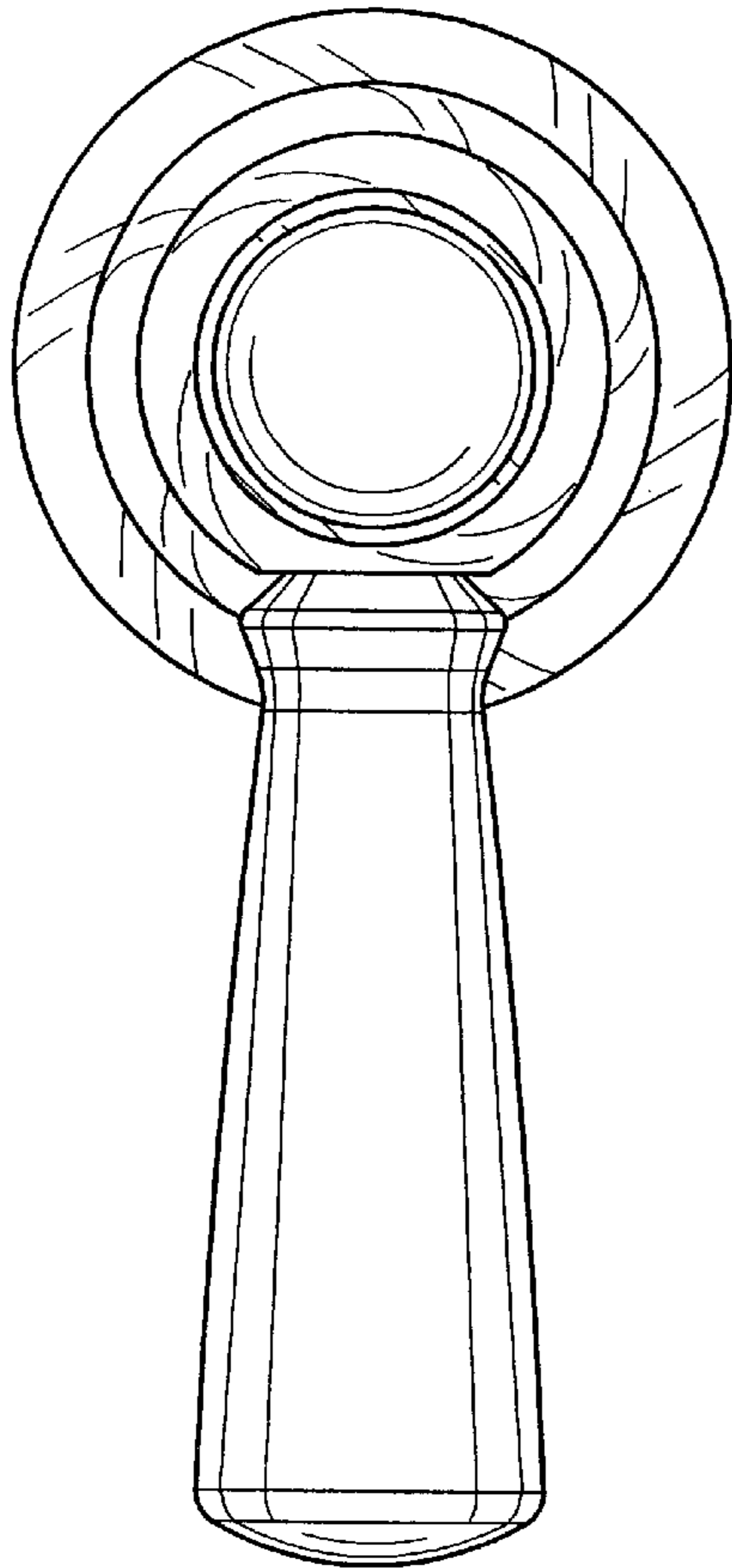


FIG. 6

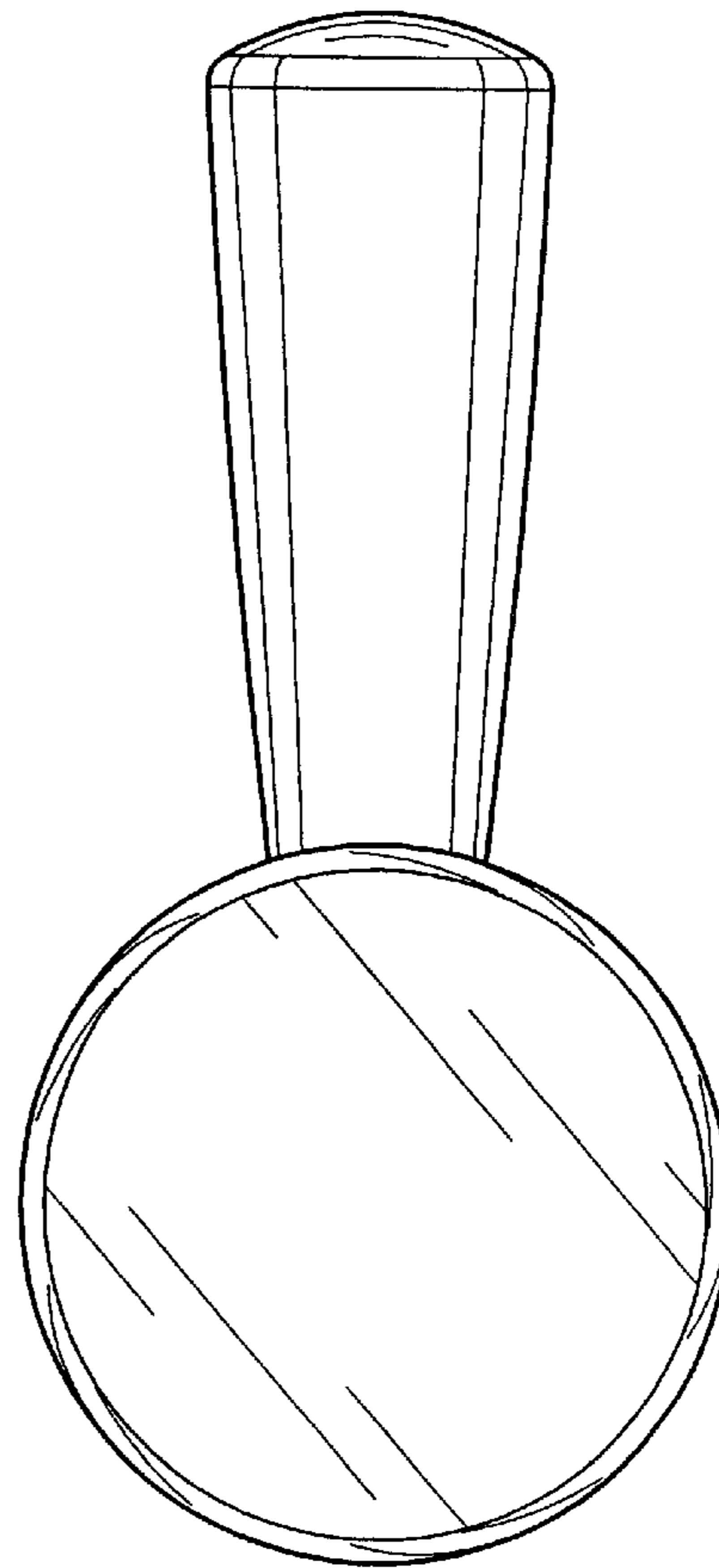


FIG. 7

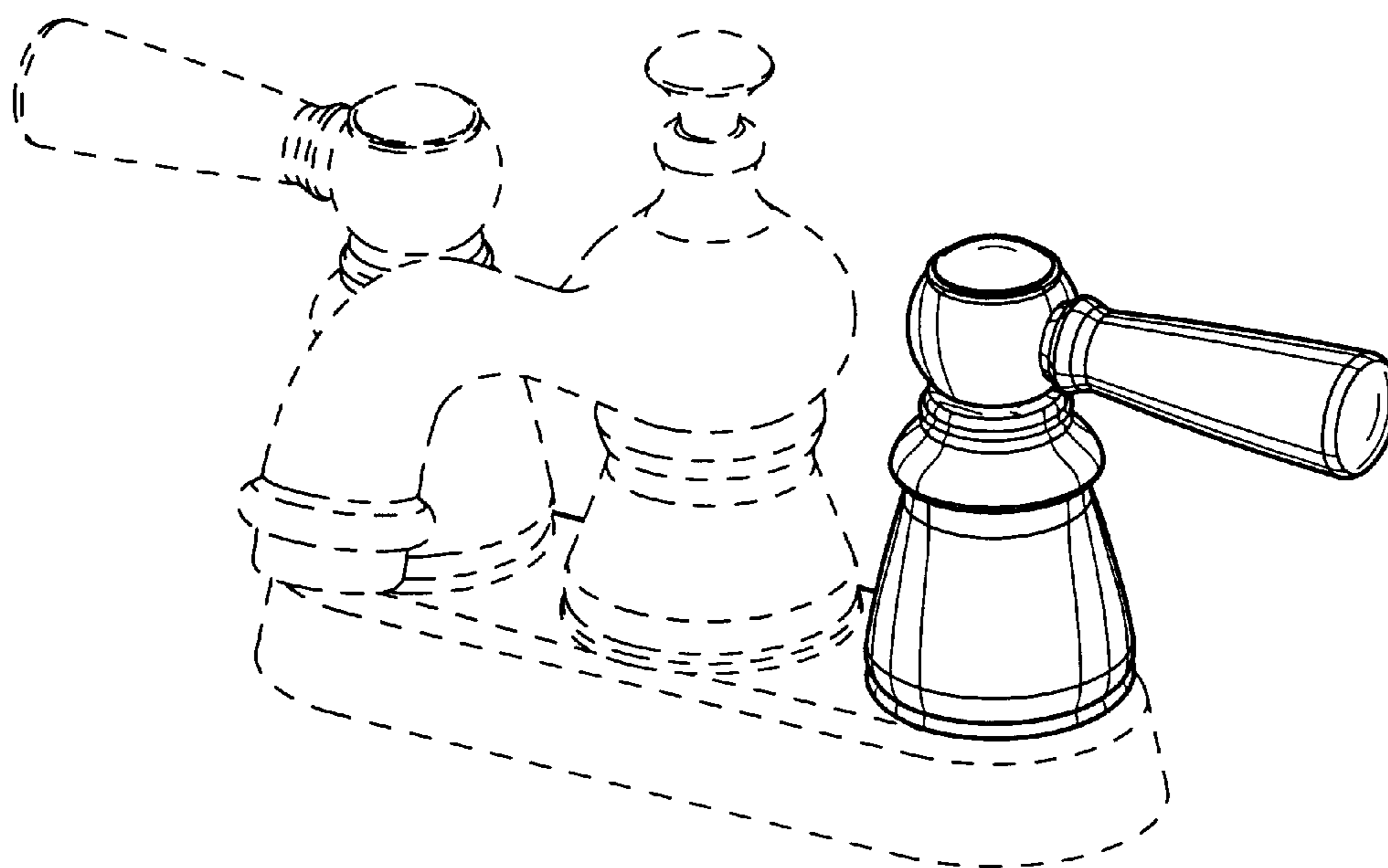


FIG. 8