



US00D534242S

(12) **United States Design Patent**  
**Bailey et al.**

(10) **Patent No.:** **US D534,242 S**

(45) **Date of Patent:** **\*\* Dec. 26, 2006**

(54) **SHOWERHEAD**

D415,246 S \* 10/1999 Marshall ..... D23/213  
D450,372 S \* 11/2001 Christianson ..... D23/229

(75) Inventors: **Curt Bailey**, Birmingham, MI (US);  
**Noah Dingler**, Waterford, MI (US);  
**Dominic Daunter**, Howell, MI (US);  
**Jeffrey Kolka**, Rockford, MI (US)

\* cited by examiner

*Primary Examiner*—Robin Webster  
(74) *Attorney, Agent, or Firm*—Edgar A. Zarins; Lloyd D. Doigan

(73) Assignee: **Alsons Corporation**, Hillsdale, MI (US)

(57) **CLAIM**

(\*\*) Term: **14 Years**

The ornamental design for a showerhead, as shown and described.

(21) Appl. No.: **29/231,225**

**DESCRIPTION**

(22) Filed: **Jun. 2, 2005**

(51) **LOC (8) Cl.** ..... **23-01**

(52) **U.S. Cl.** ..... **D23/229**

(58) **Field of Classification Search** ..... D23/213,  
D23/223, 226, 229–230; 239/526, 282–3  
See application file for complete search history.

FIG. 1 is a perspective view of a showerhead showing our new design;

FIG. 2 is a top plan view thereof;

FIG. 3 is a side plan view thereof;

FIG. 4 is a front elevational view thereof; and,

FIG. 5 is a rear view thereof.

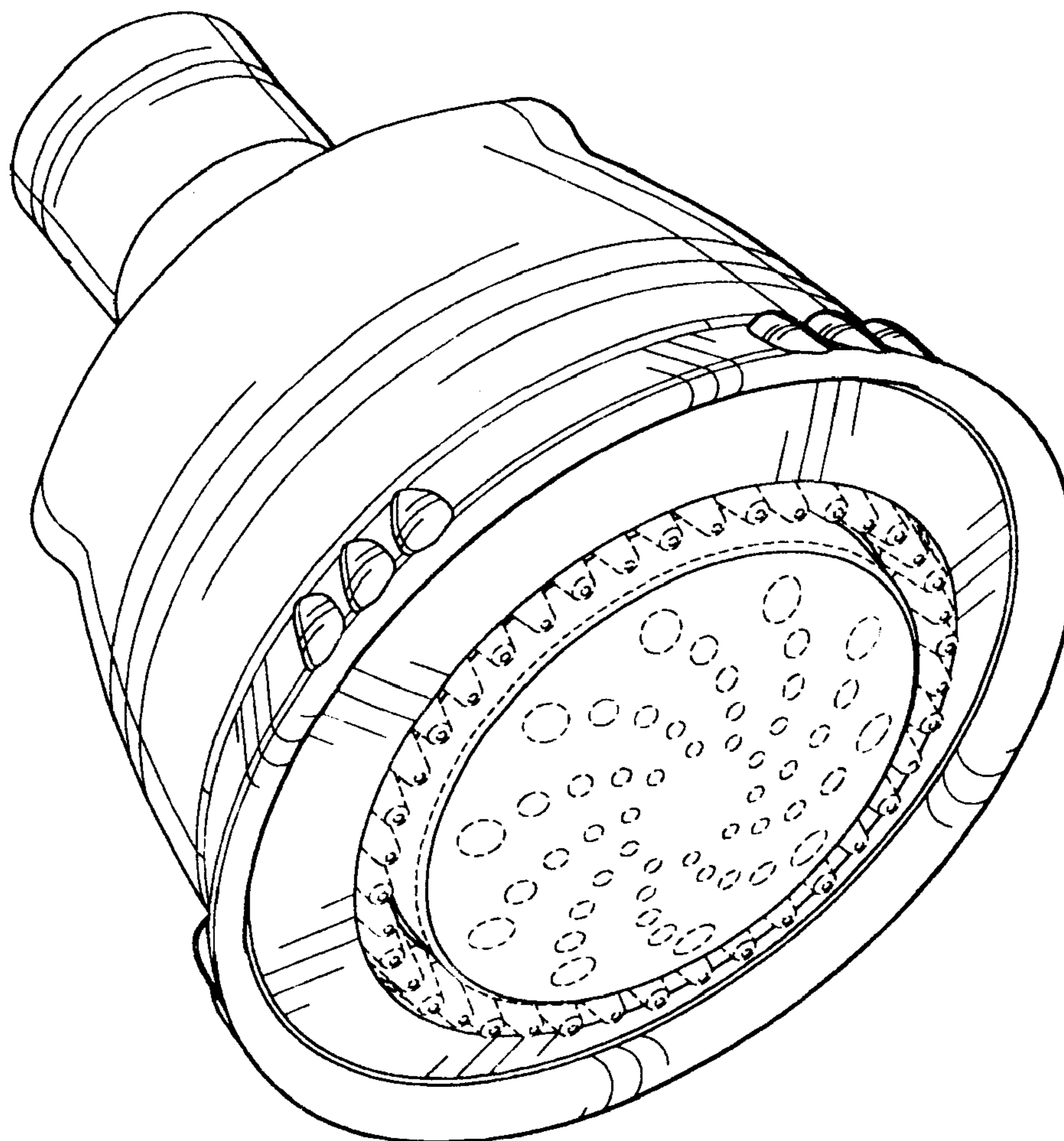
The broken line showing is for illustrative purposes only and forms no part of the claimed design.

(56) **References Cited**

**U.S. PATENT DOCUMENTS**

D408,892 S \* 4/1999 Marshall ..... D23/229

**1 Claim, 3 Drawing Sheets**



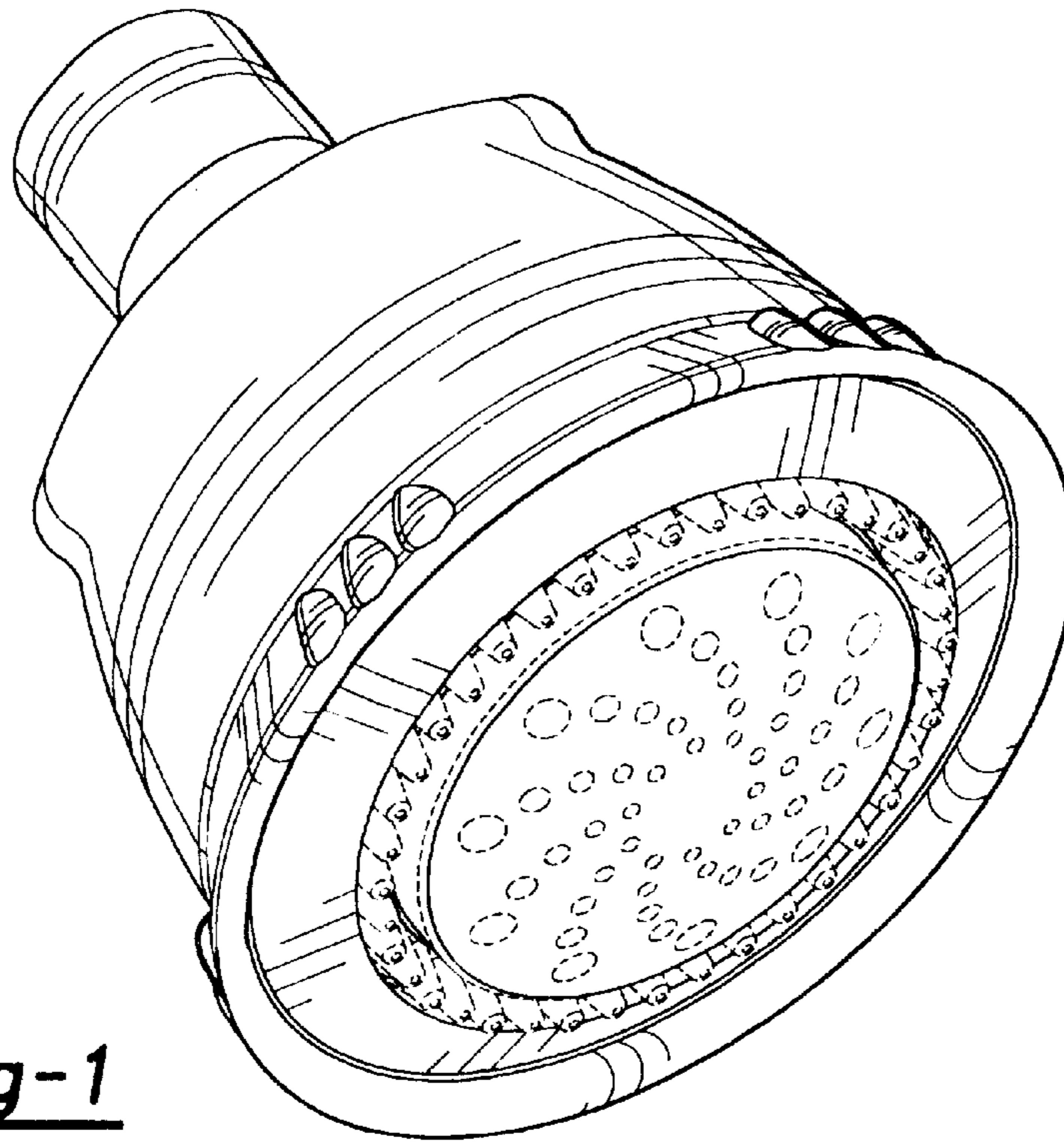


Fig-1

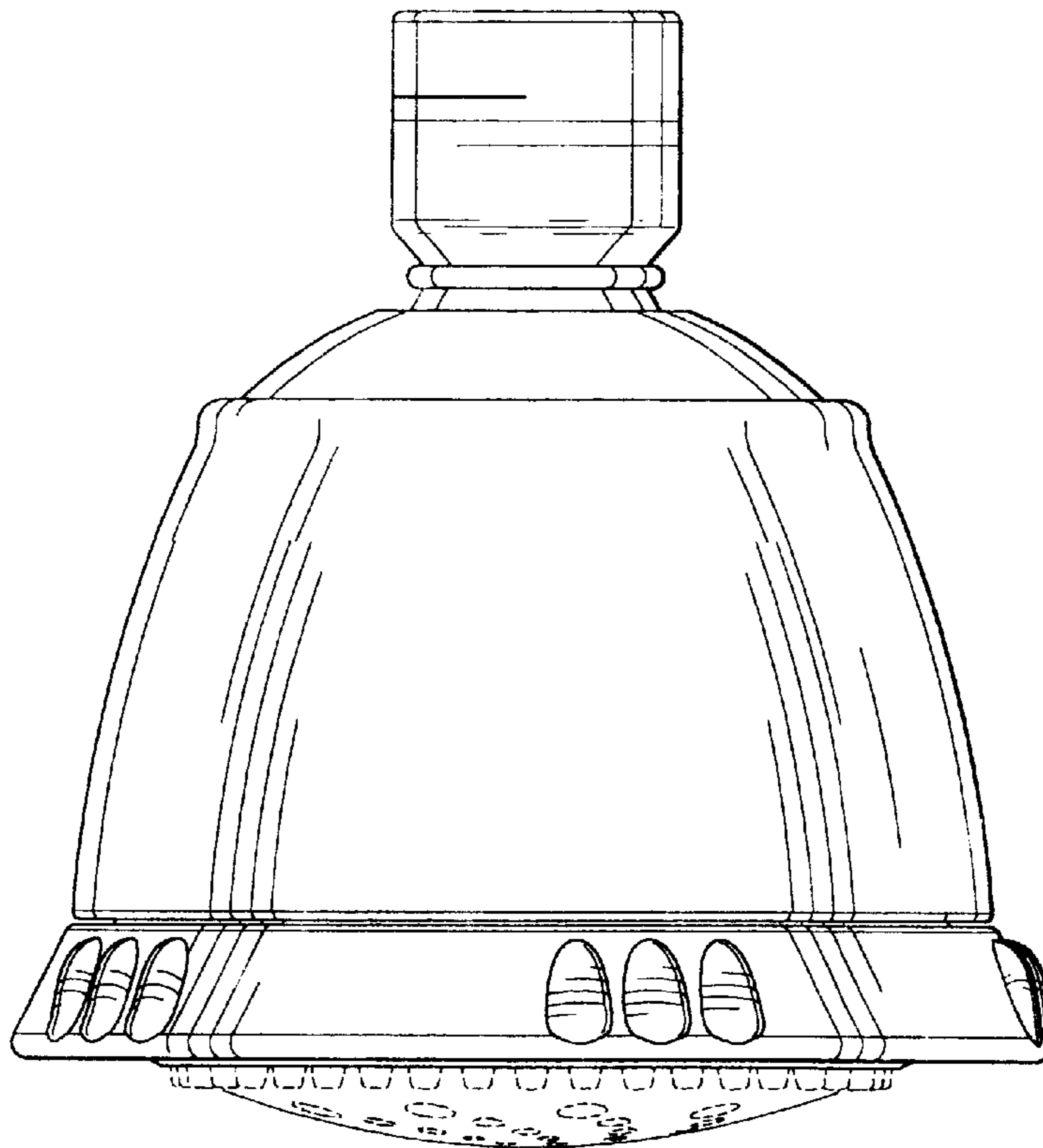


Fig-2

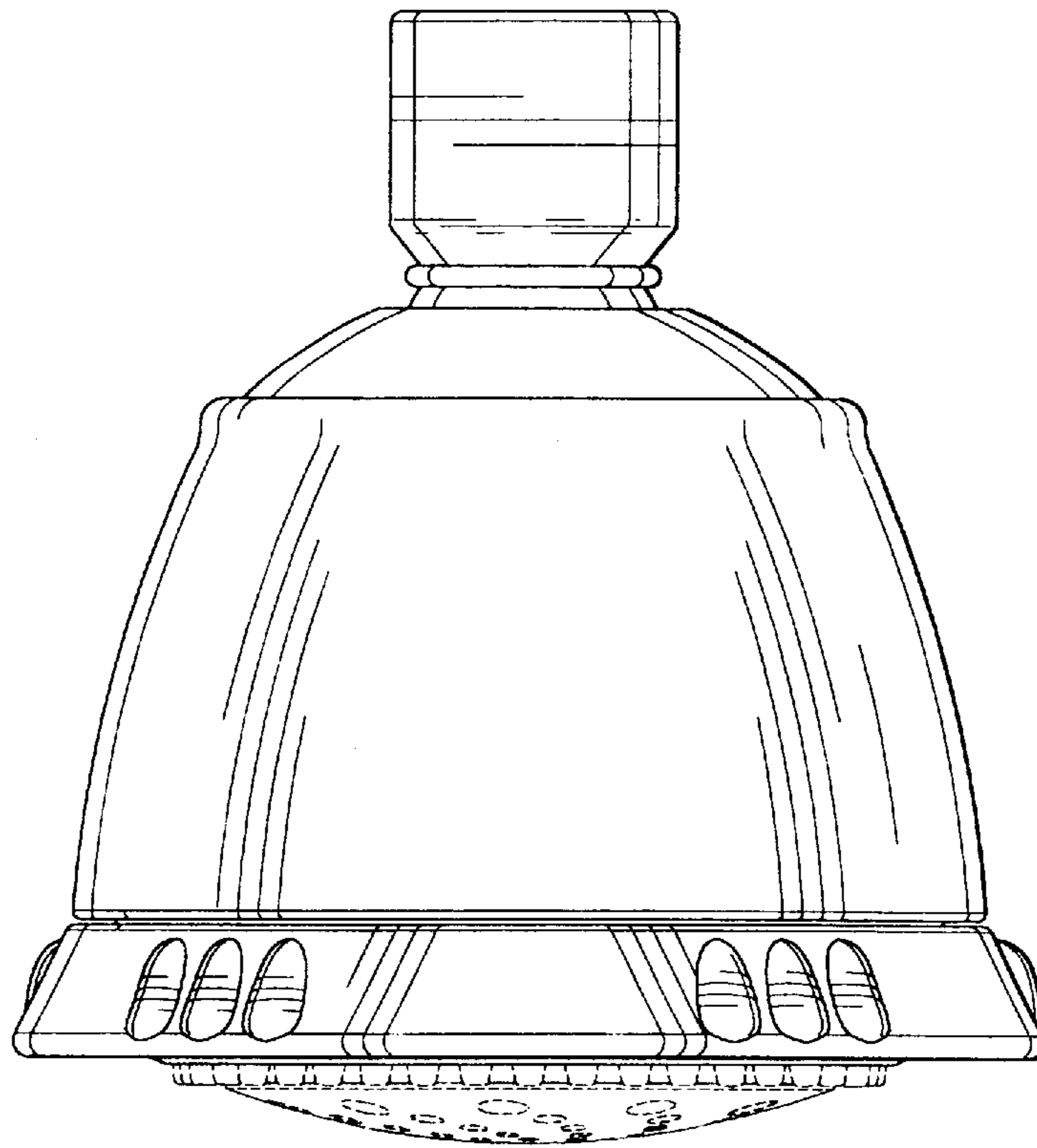


Fig-3

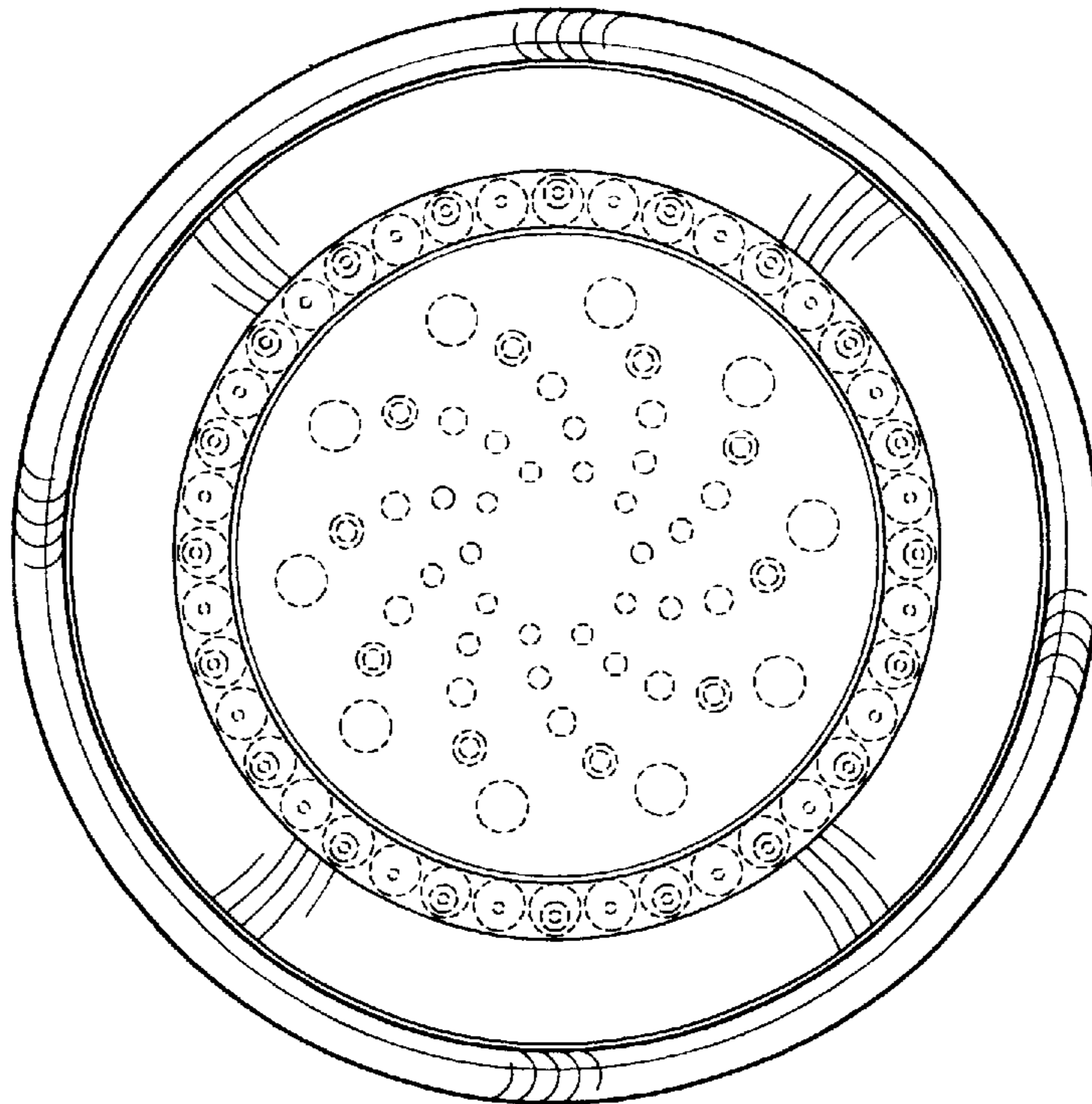


Fig-4

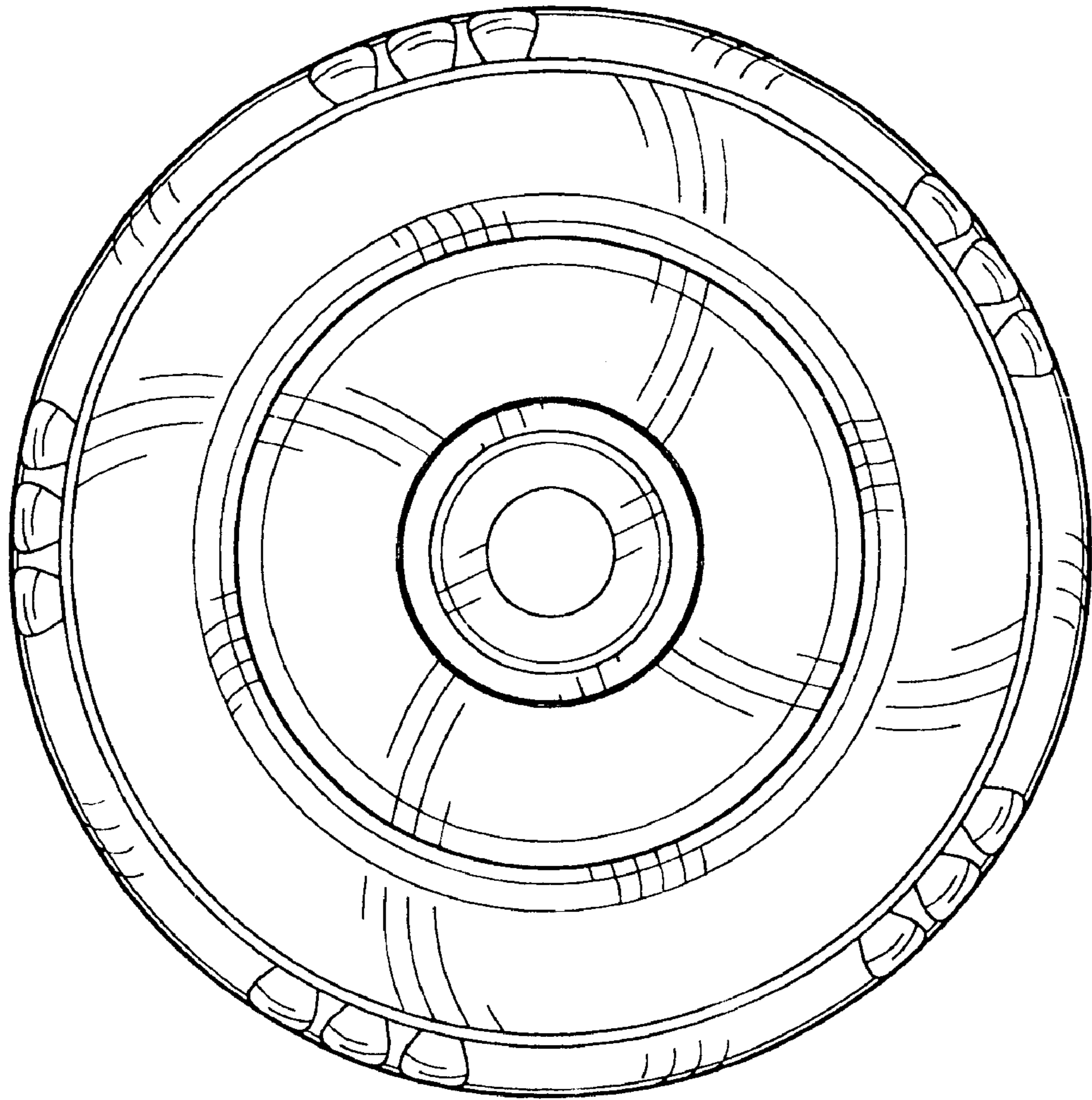


Fig-5