



US00D534241S

(12) **United States Design Patent**
Wang

(10) **Patent No.:** **US D534,241 S**

(45) **Date of Patent:** **** Dec. 26, 2006**

(54) **FRONT-CONTROL WATER INJECTION GUN**

D486,555 S * 2/2004 Chen D23/226
D487,797 S * 3/2004 Chen D23/226

(76) Inventor: **King-Yuan Wang**, P.O. Box 487,
Chang-Hua City 500 (TW)

* cited by examiner

(**) Term: **14 Years**

Primary Examiner—Robin Webster

(21) Appl. No.: **29/230,918**

(57) **CLAIM**

(22) Filed: **May 31, 2005**

The ornamental design for a front-control water injection gun, as shown and described.

(51) **LOC (8) Cl.** **23-01**

(52) **U.S. Cl.** **D23/226**

(58) **Field of Classification Search** D23/213,
D23/223, 226; 239/525–527

See application file for complete search history.

DESCRIPTION

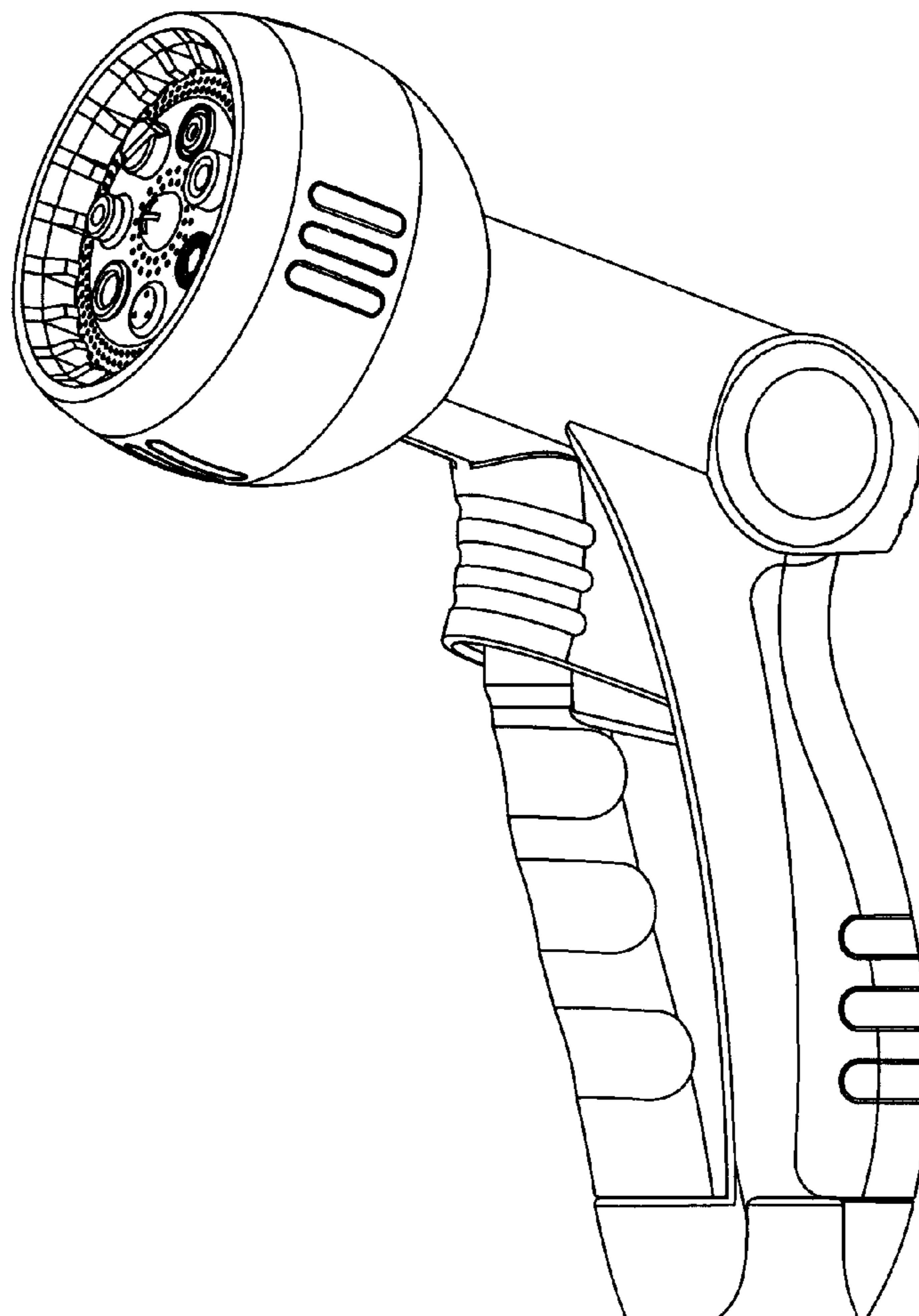
FIG. 1 is a front elevational view of a front-control water injection gun showing my new design; FIG. 2 is a rear elevation view thereof; FIG. 3 is a left side view thereof; FIG. 4 is a right side view thereof; FIG. 5 is a top plan view thereof; FIG. 6 is a bottom plan view thereof; and, FIG. 7 is a perspective view thereof.

(56) **References Cited**

U.S. PATENT DOCUMENTS

5,806,770	A	*	9/1998	Wang	239/391
6,260,774	B1	*	7/2001	Erickson	239/526
6,286,767	B1	*	9/2001	Hui-Chen	239/394
6,382,529	B1	*	5/2002	Wu	239/525

1 Claim, 7 Drawing Sheets



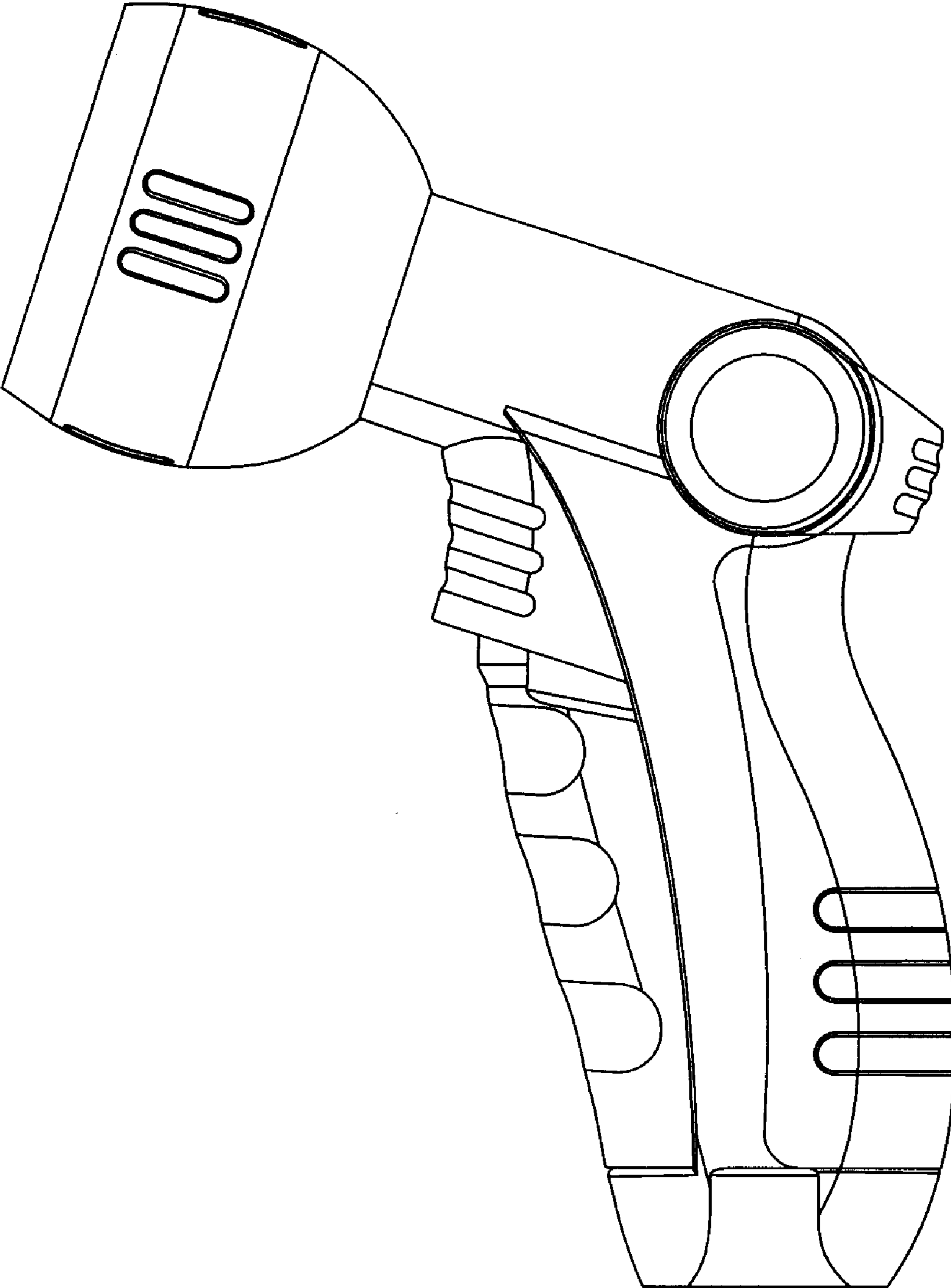


FIG 1

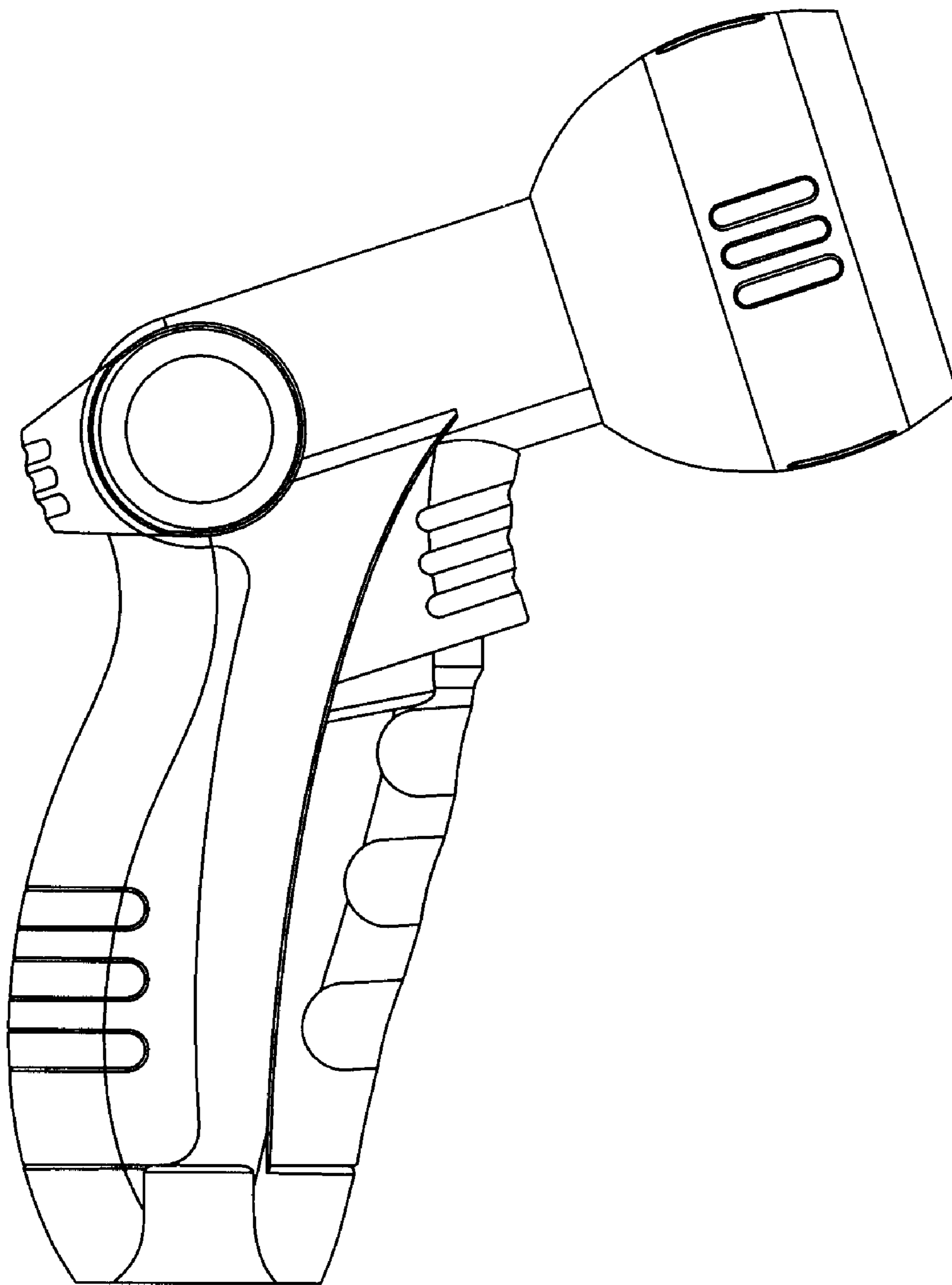


FIG 2

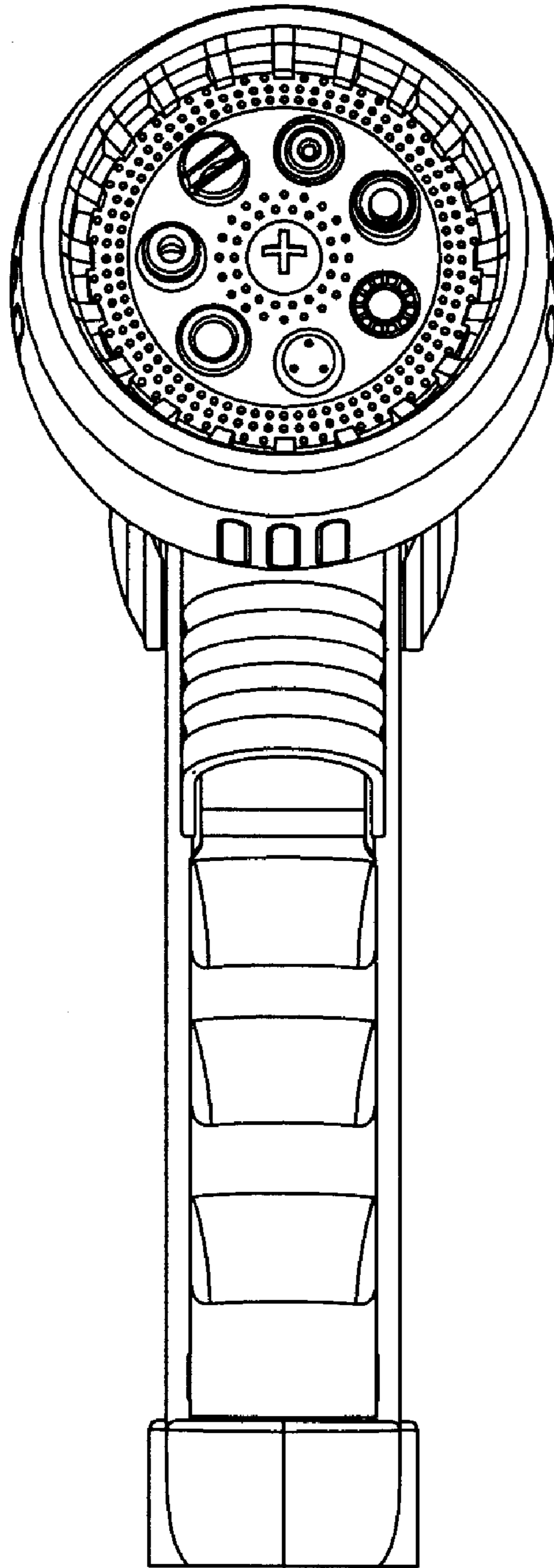


FIG 3

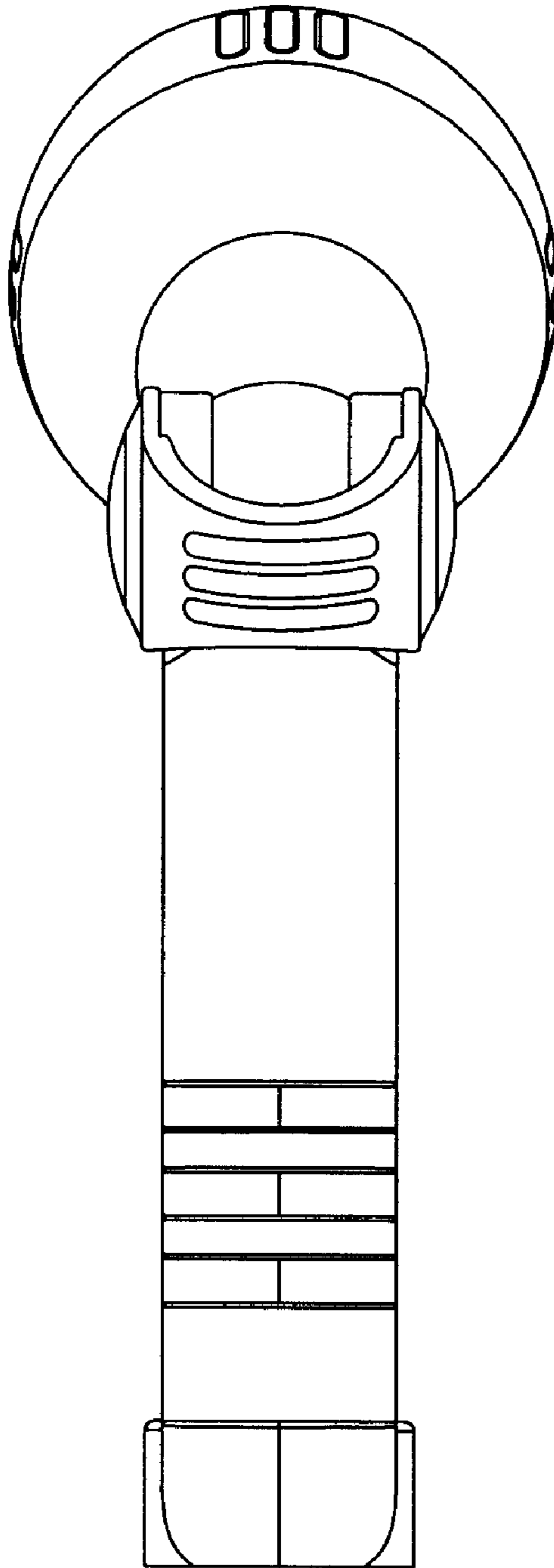


FIG 4

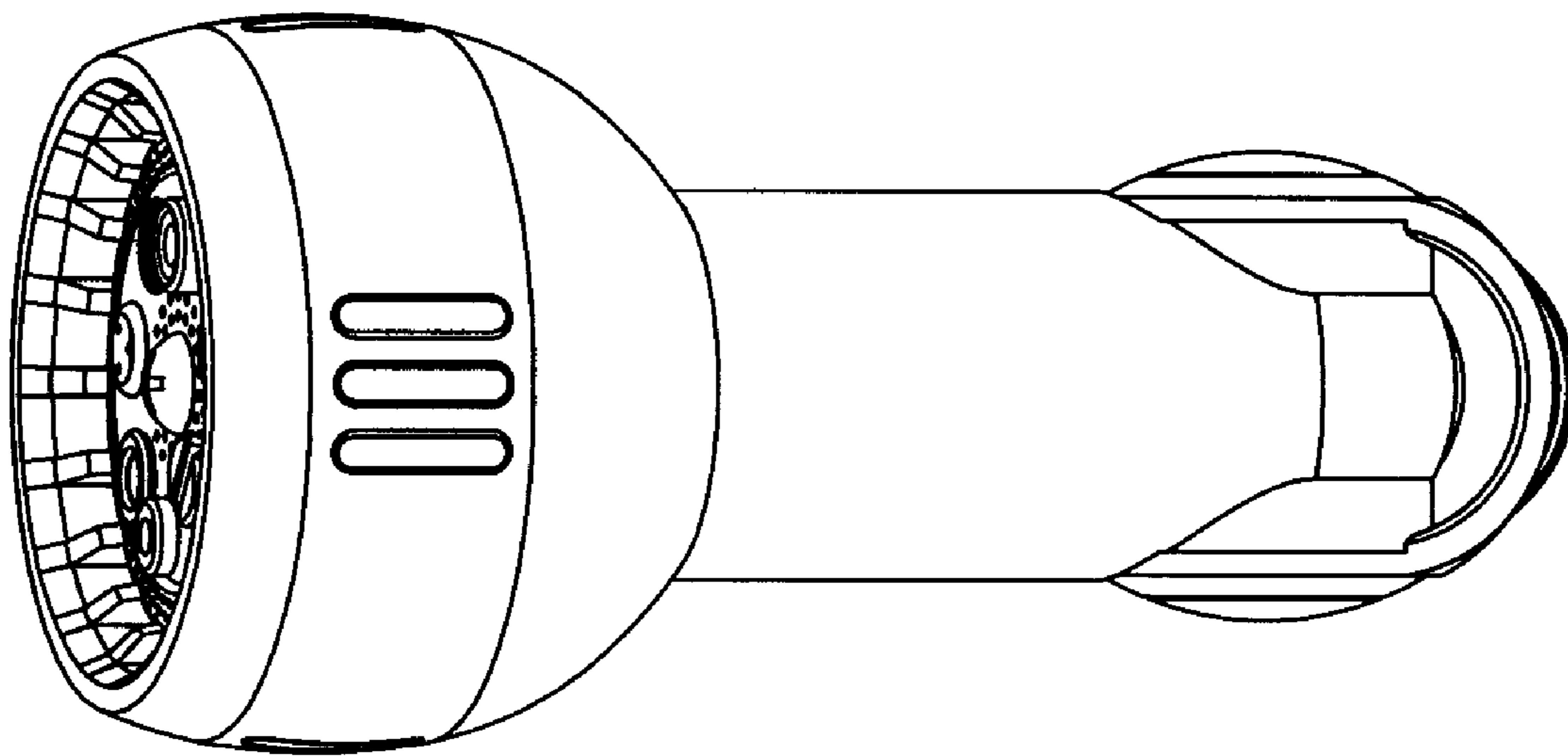


FIG 5

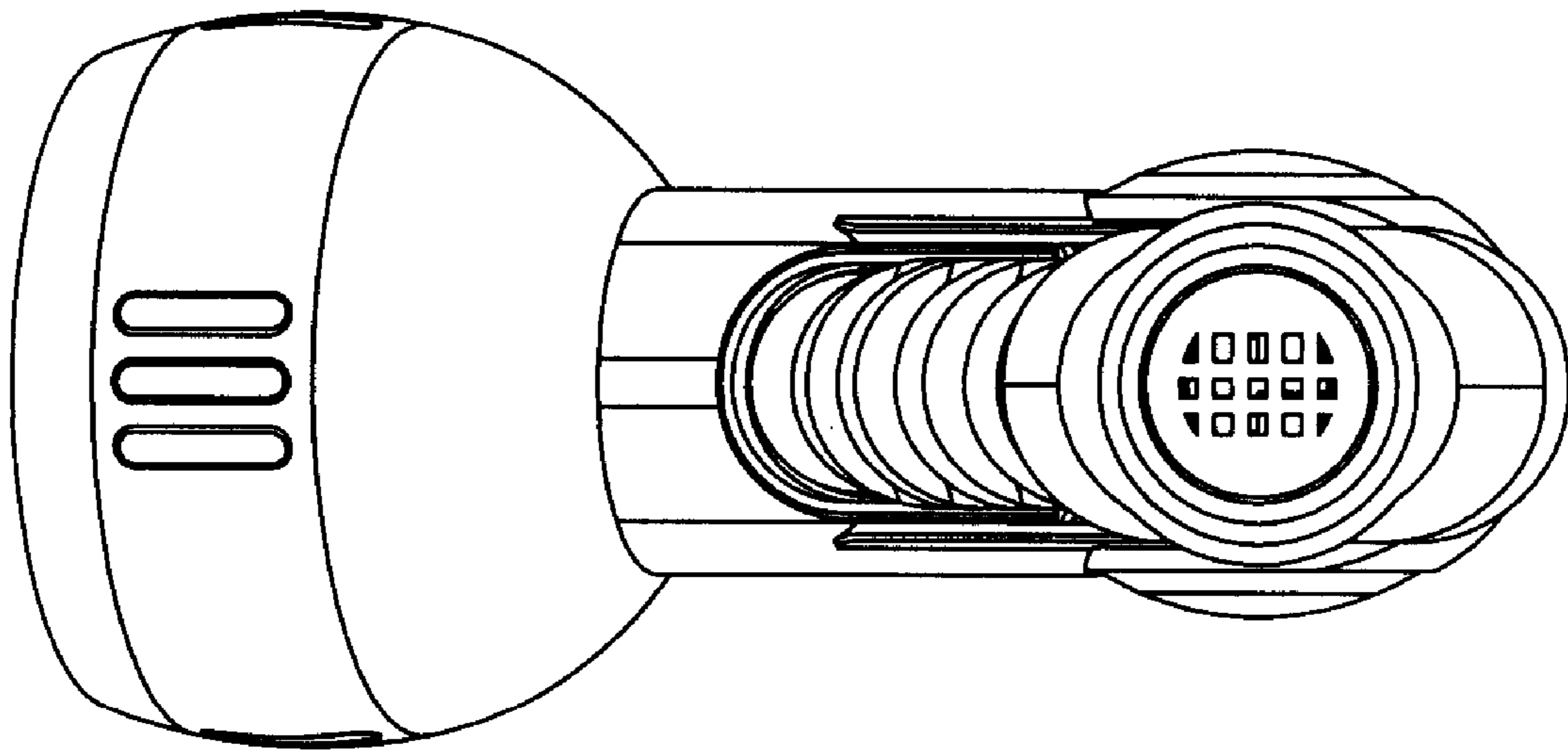


FIG 6

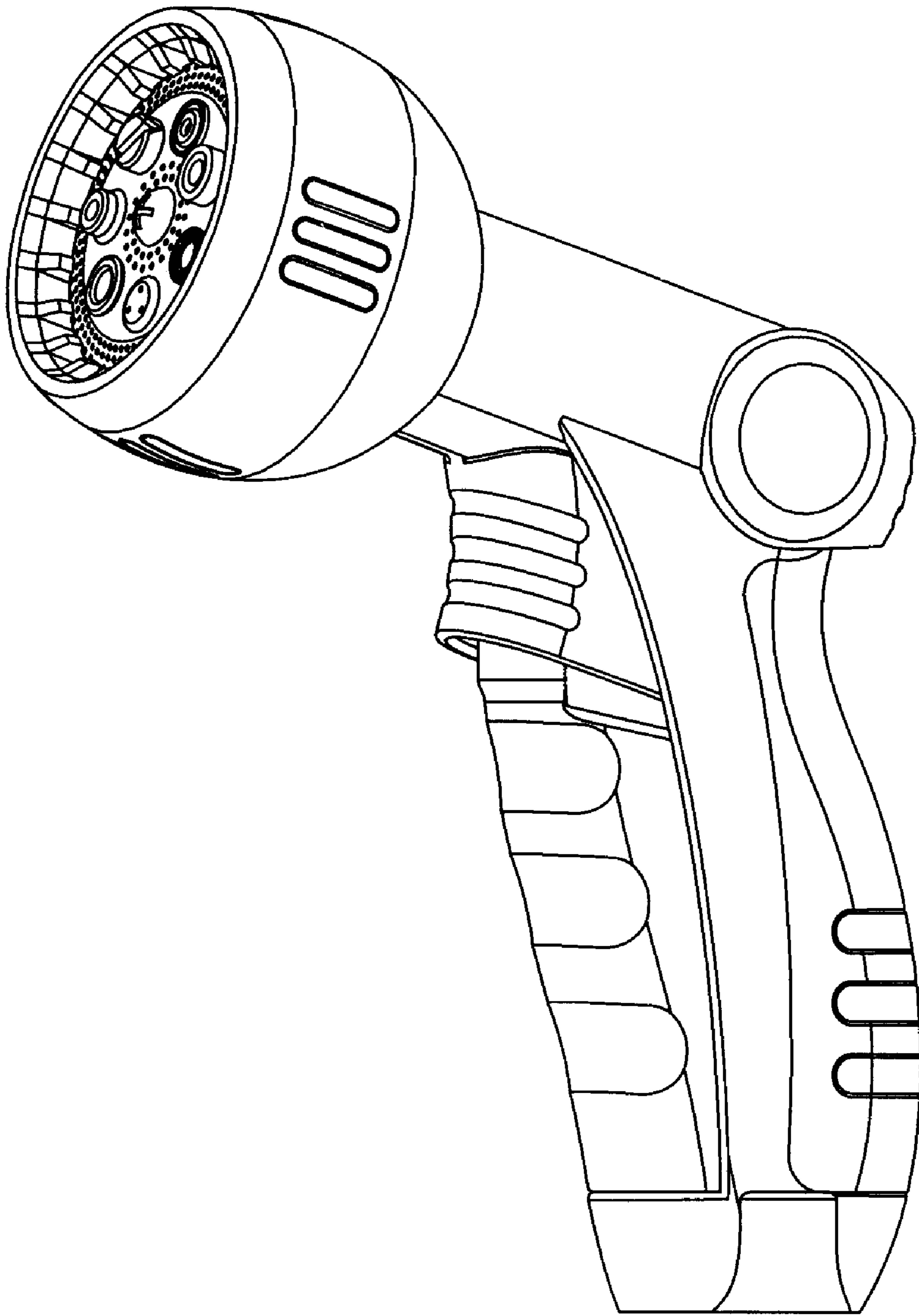


FIG 7