



US00D534240S

(12) **United States Design Patent**
Wang

(10) **Patent No.:** **US D534,240 S**

(45) **Date of Patent:** **** Dec. 26, 2006**

(54) **REAR-CONTROL WATER INJECTION GUN**

D479,575 S * 9/2003 Chen D23/226

(76) Inventor: **King-Yuan Wang**, P.O. Box 487,
Chang-Hua (TW), 500

* cited by examiner

Primary Examiner—Robin Webster

(**) Term: **14 Years**

(57) **CLAIM**

(21) Appl. No.: **29/230,917**

The ornamental design for a rear-control water injection gun, as shown and described.

(22) Filed: **May 31, 2005**

DESCRIPTION

(51) **LOC (8) Cl.** **23-01**

(52) **U.S. Cl.** **D23/226**

(58) **Field of Classification Search** D23/213,
D23/223, 226; 239/525–527

FIG. 1 is a front elevational view of a rear-control water injection gun showing my new design; FIG. 2 is a rear elevation view thereof; FIG. 3 is a left side view thereof; FIG. 4 is a right side view thereof; FIG. 5 is a top plan view thereof; FIG. 6 is a bottom plan view thereof; and, FIG. 7 is a perspective view thereof.

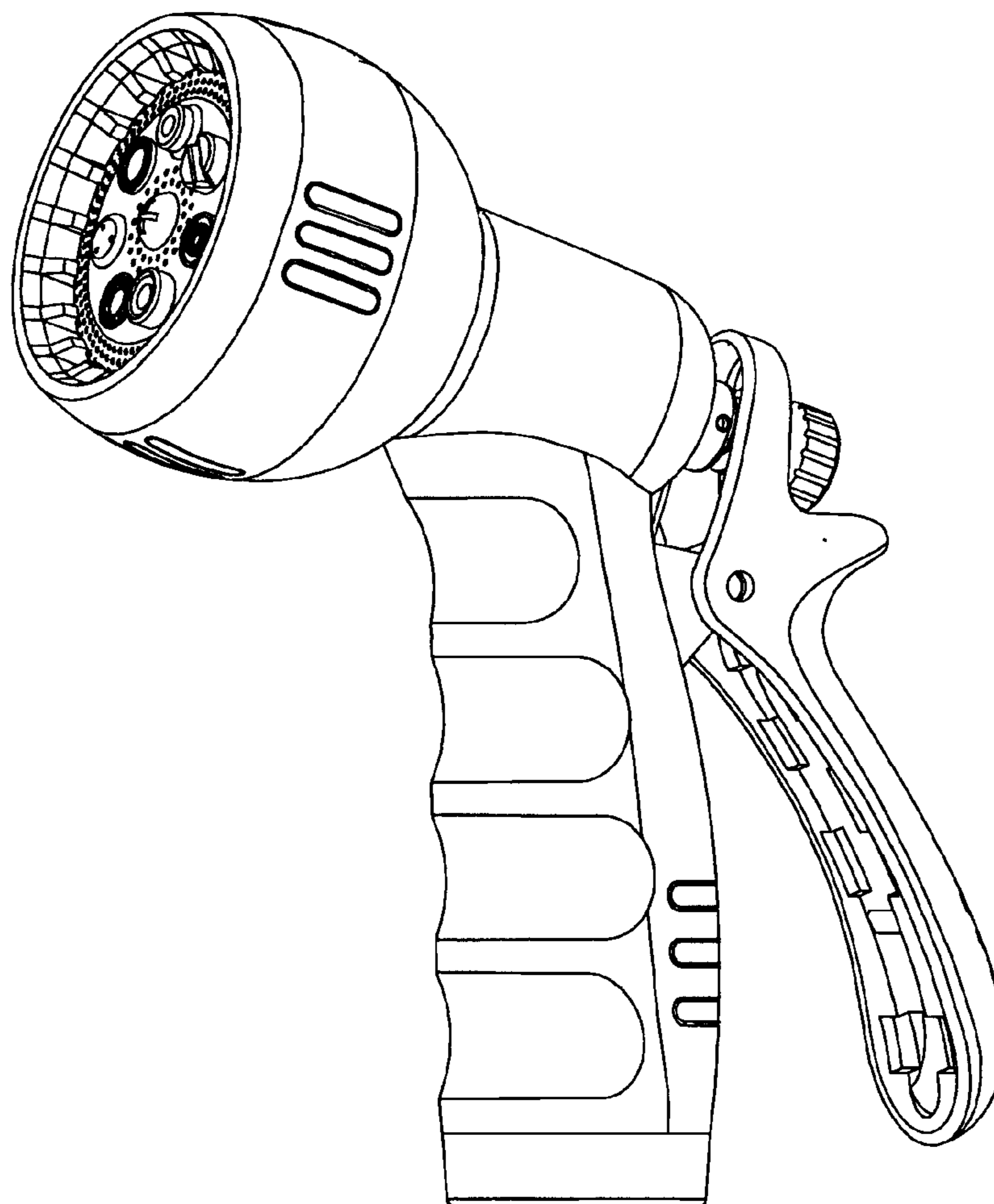
See application file for complete search history.

(56) **References Cited**

U.S. PATENT DOCUMENTS

- D373,813 S * 9/1996 Guo D23/223
- 6,279,839 B1 * 8/2001 Chang 239/525
- D475,735 S * 6/2003 Louis D17/99

1 Claim, 7 Drawing Sheets



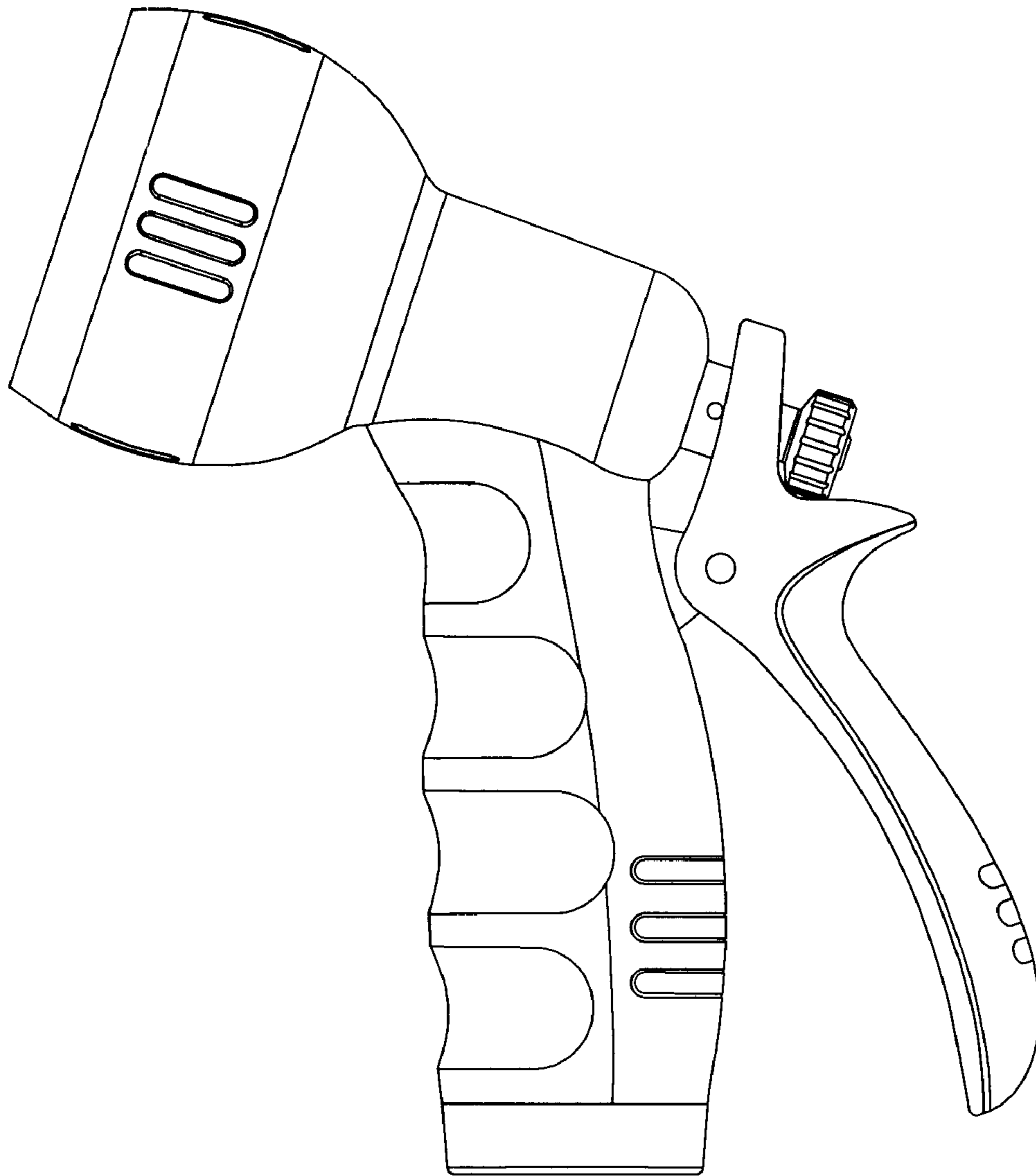


FIG 1

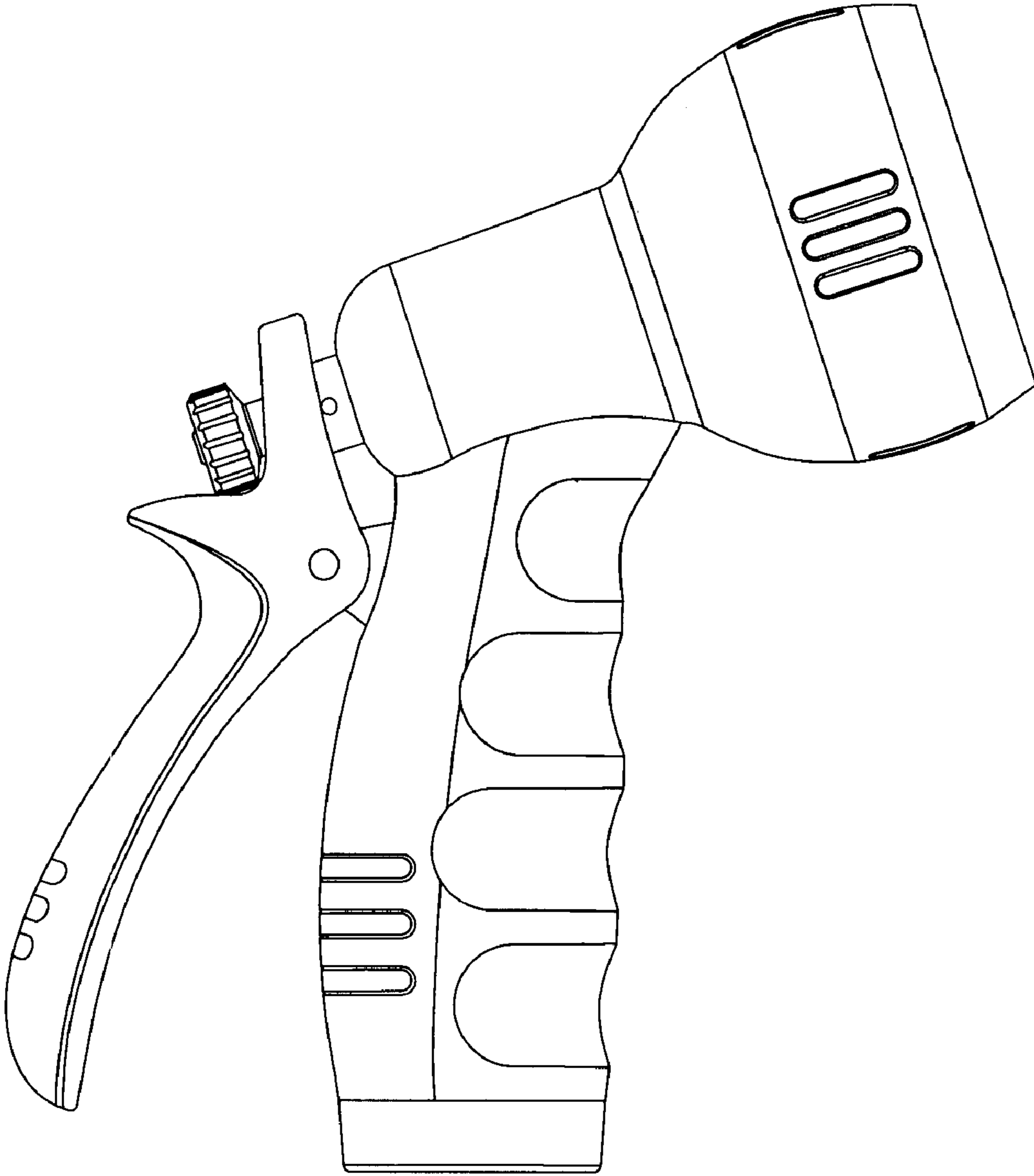


FIG 2

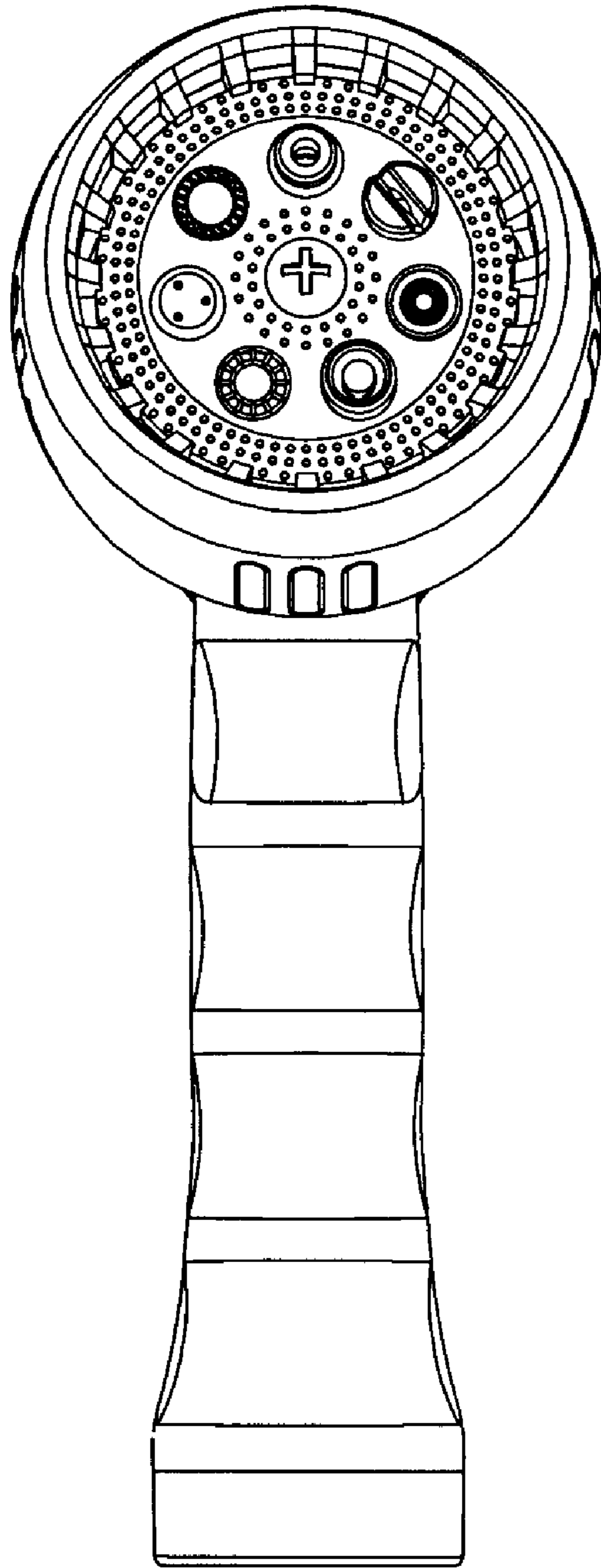


FIG 3

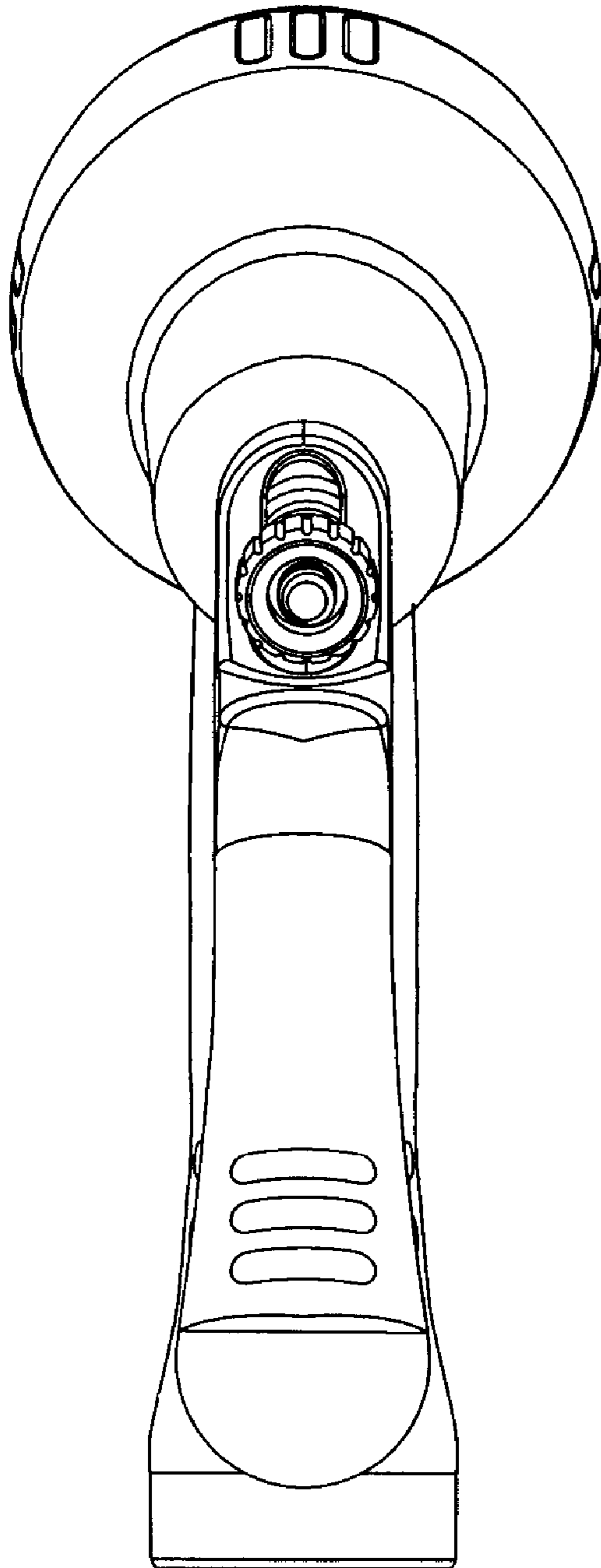


FIG 4

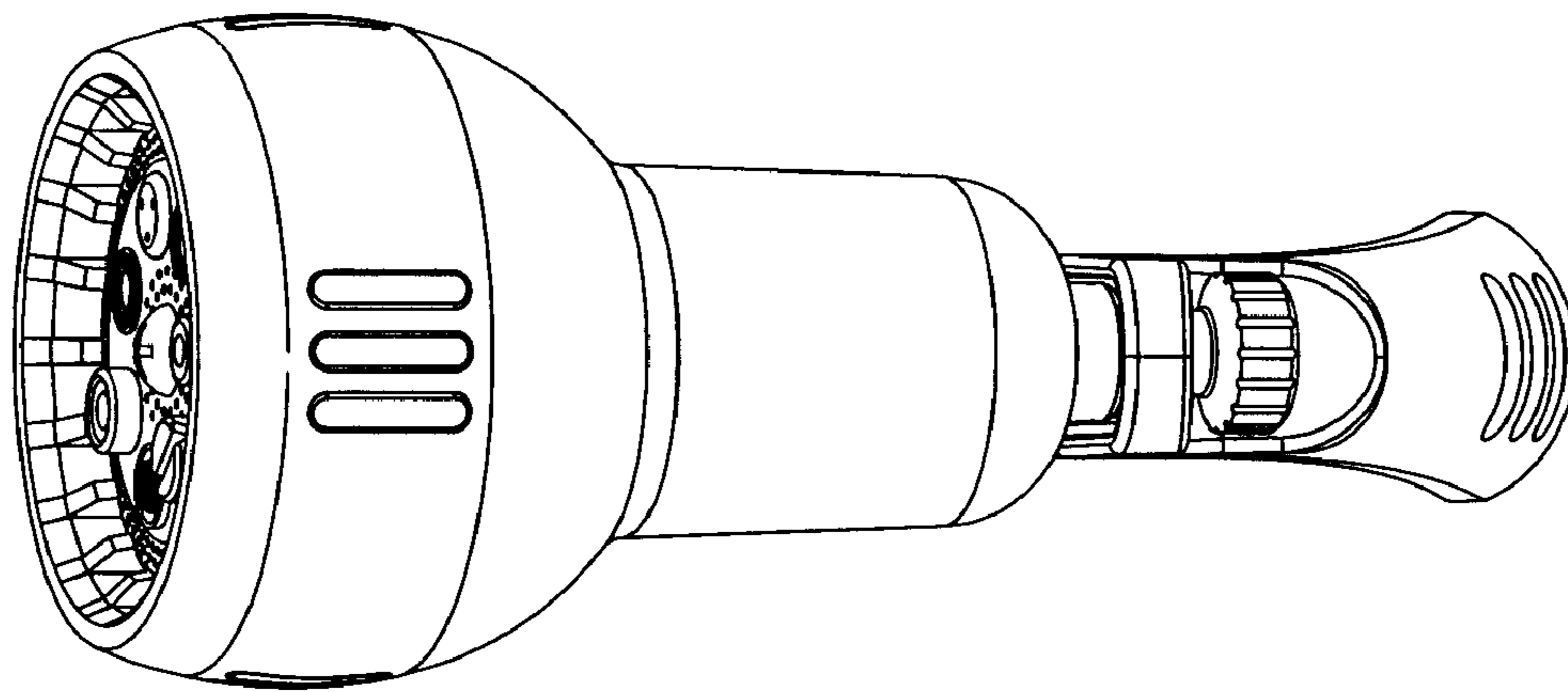


FIG 5

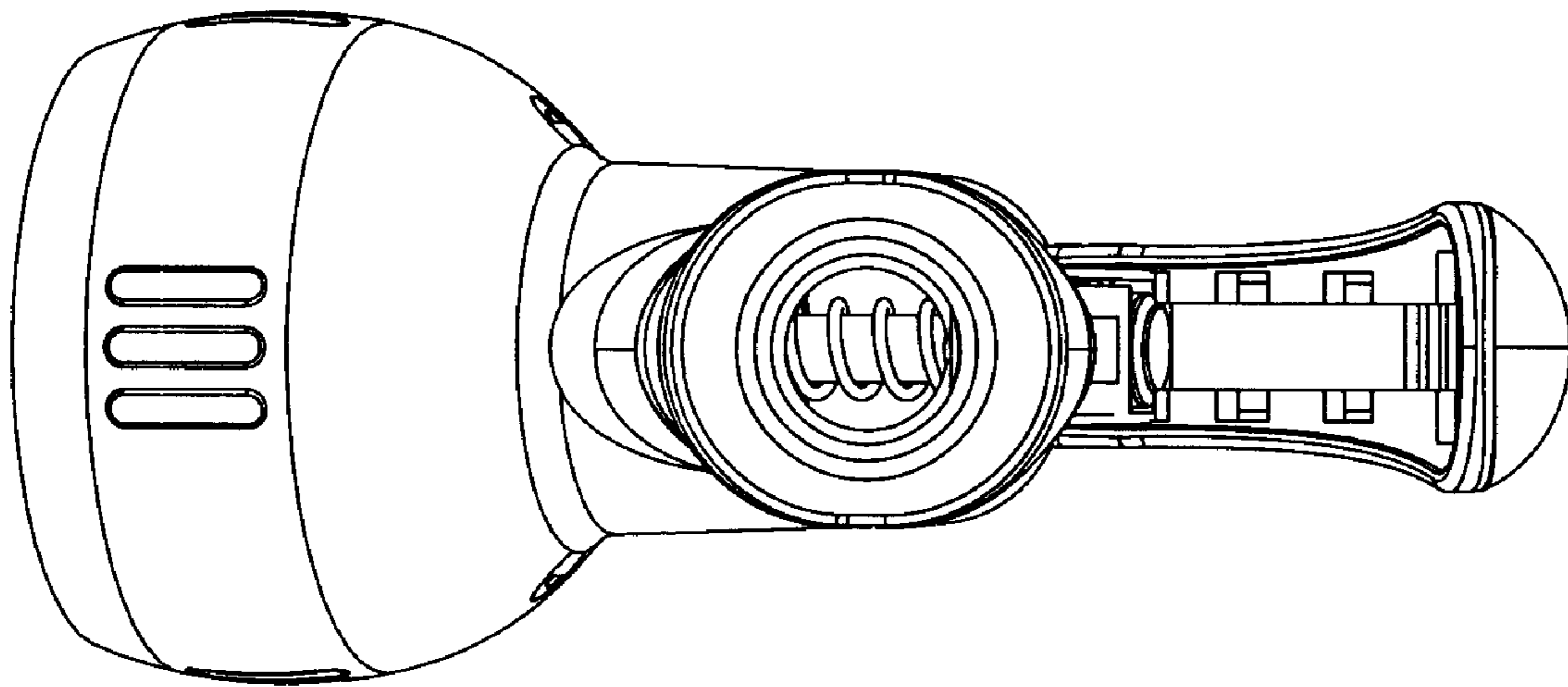


FIG 6

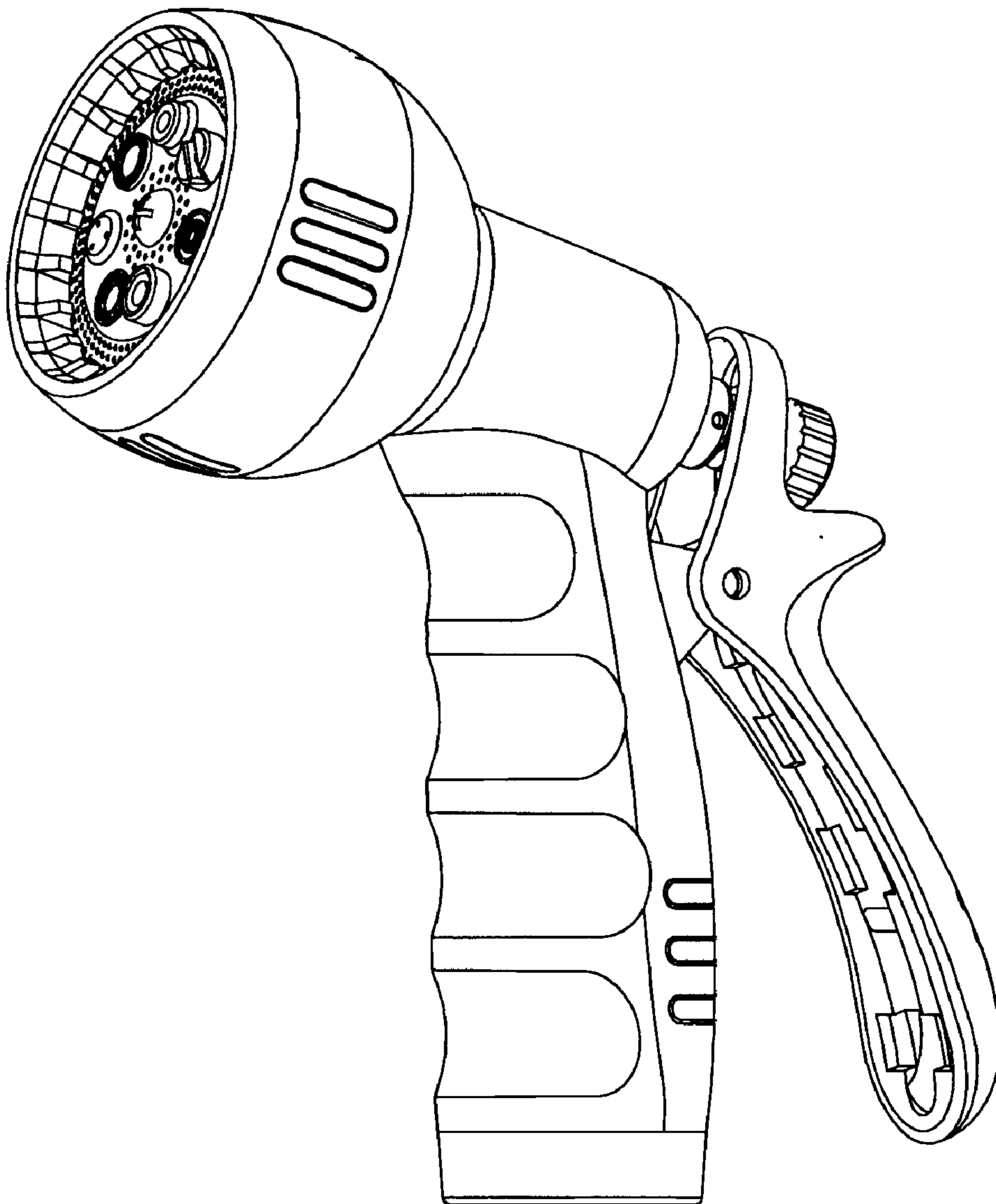


FIG 7