



US00D534239S

(12) **United States Design Patent**
Dingler et al.

(10) **Patent No.:** **US D534,239 S**

(45) **Date of Patent:** **** Dec. 26, 2006**

(54) **HAND-HELD SHOWER**

D509,563 S * 9/2005 Bailey et al. D23/223
D510,610 S * 10/2005 Bailey et al. D23/223

(75) Inventors: **Noah Dingler**, Waterford, MI (US);
Dominic Daunter, Howell, MI (US);
Michael Miller, Portage, MI (US);
Kristen Swope, Homer, MI (US)

* cited by examiner

Primary Examiner—Robin Webster
(74) *Attorney, Agent, or Firm*—Edgar A. Zarins; Lloyd D. Doigan

(73) Assignee: **Alsons Corporation**, Hillsdale, MI (US)

(**) Term: **14 Years**

(57) **CLAIM**

The ornamental design for a hand-held shower, as shown and described.

(21) Appl. No.: **29/230,909**

(22) Filed: **May 27, 2005**

DESCRIPTION

(51) **LOC (8) Cl.** **23-01**

(52) **U.S. Cl.** **D23/223**

(58) **Field of Classification Search** D23/213,
D23/223, 226, 229–230; 239/526, 282–3
See application file for complete search history.

FIG. 1 is a perspective view of a hand-held shower showing my new design;

FIG. 2 is a front elevational view thereof;

FIG. 3 is a right side view thereof, the opposite side being a mirror image of the side shown;

FIG. 4 is a top plan view thereof; and,

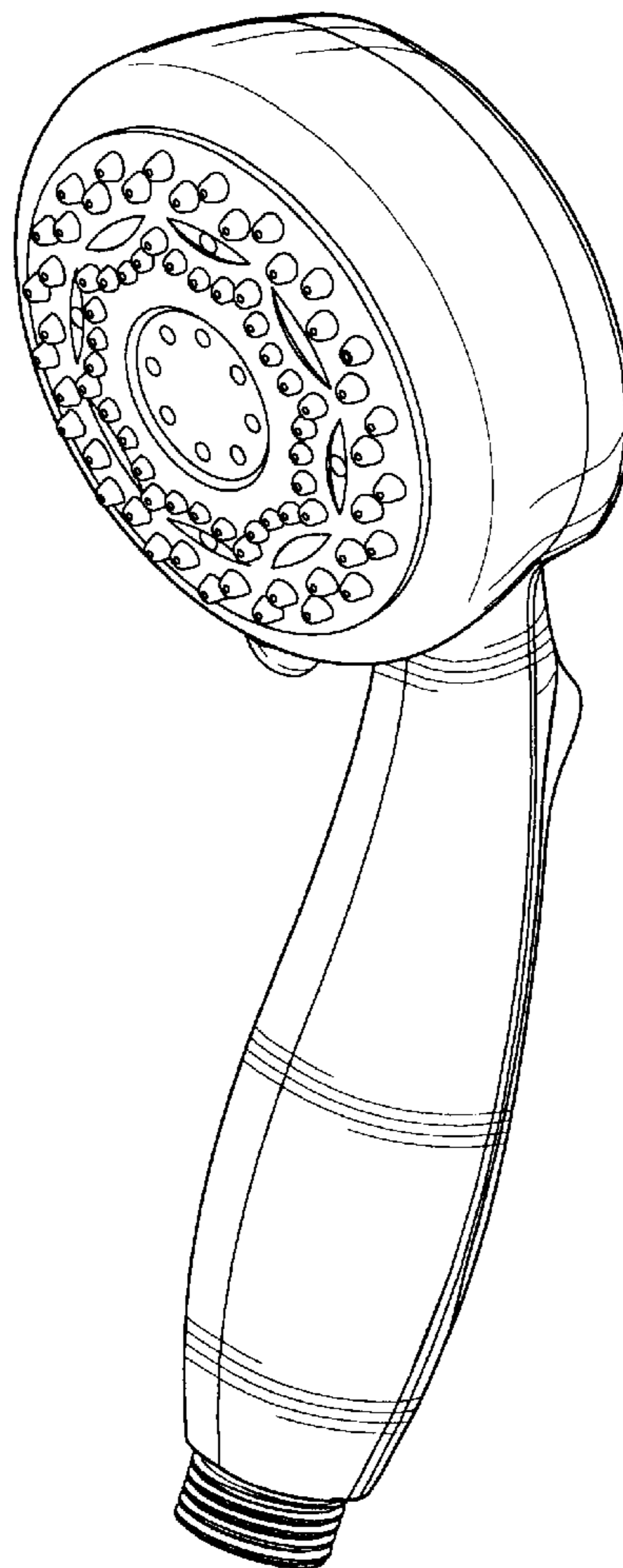
FIG. 5 is a bottom end view thereof.

(56) **References Cited**

U.S. PATENT DOCUMENTS

D509,280 S * 9/2005 Bailey et al. D23/223

1 Claim, 2 Drawing Sheets



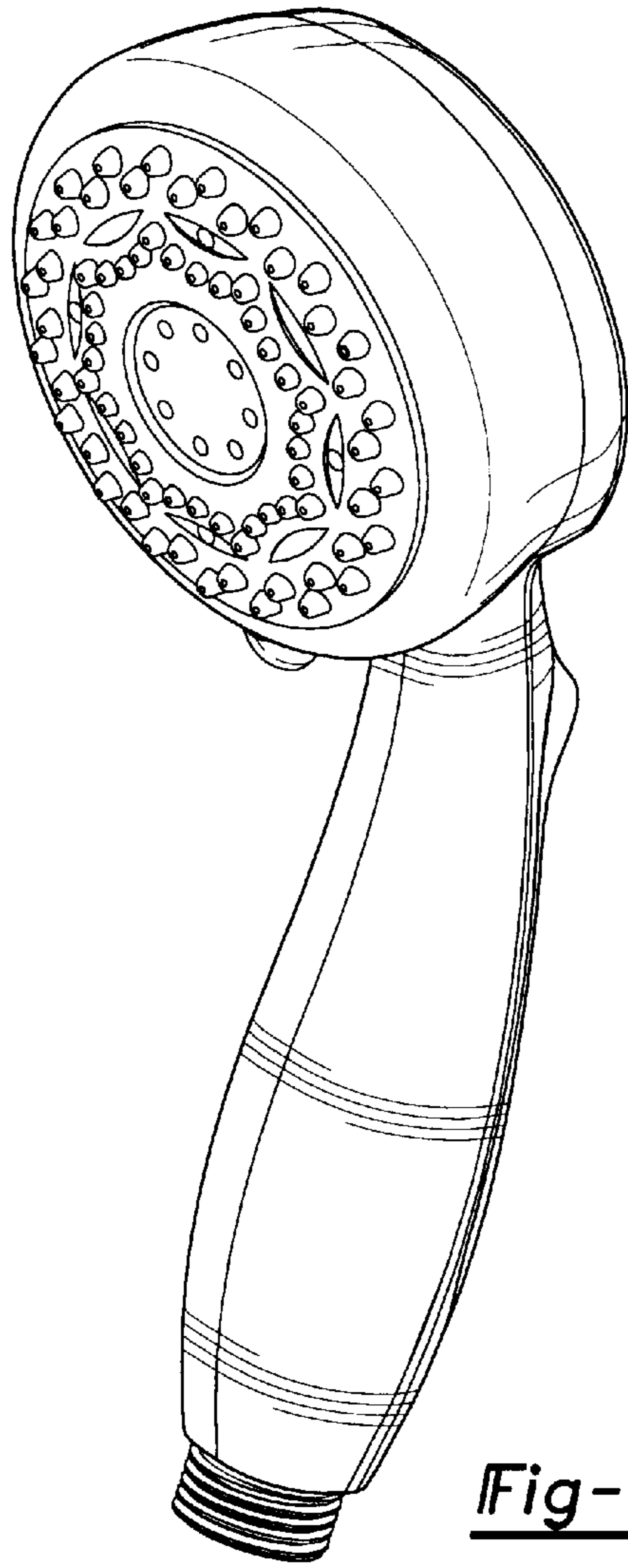


Fig-1

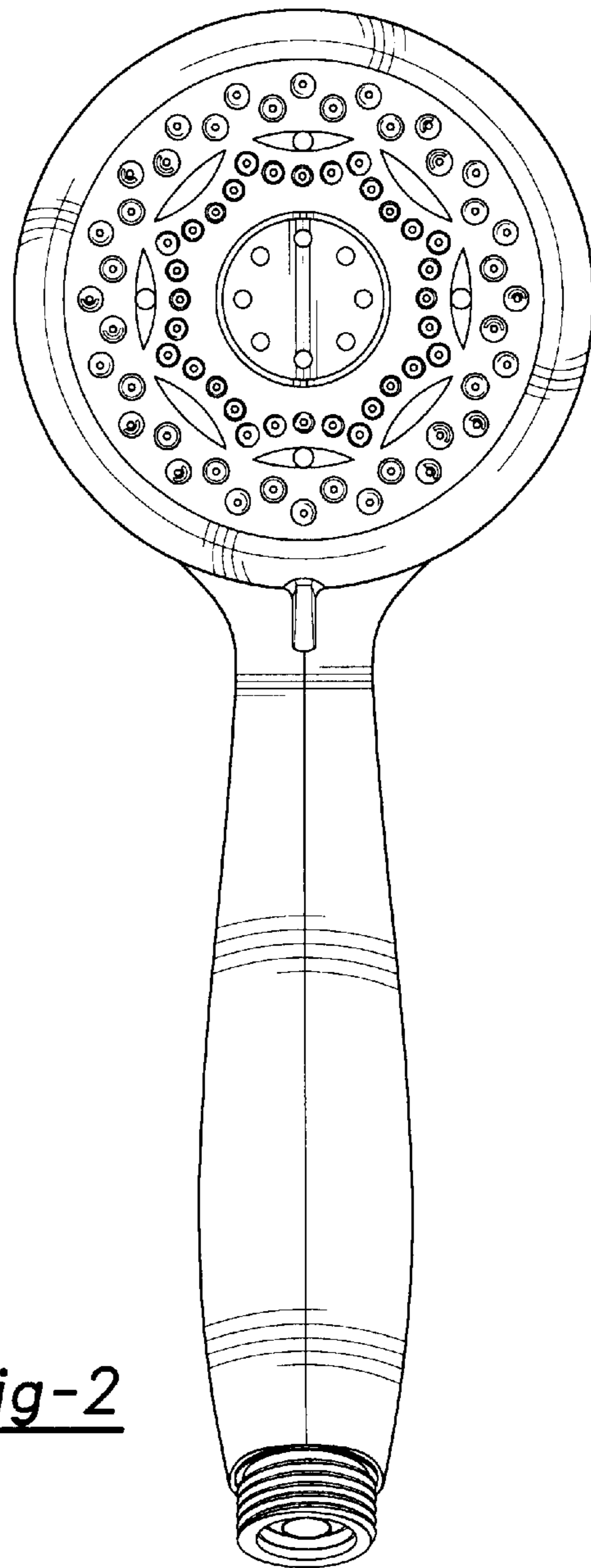


Fig-2

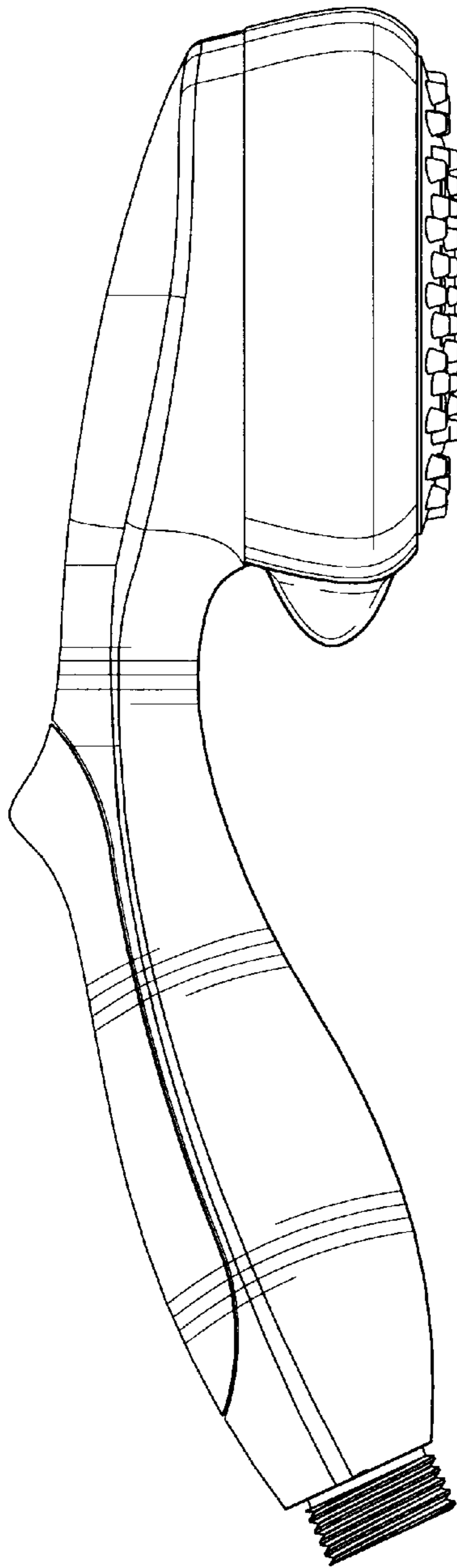


Fig-3

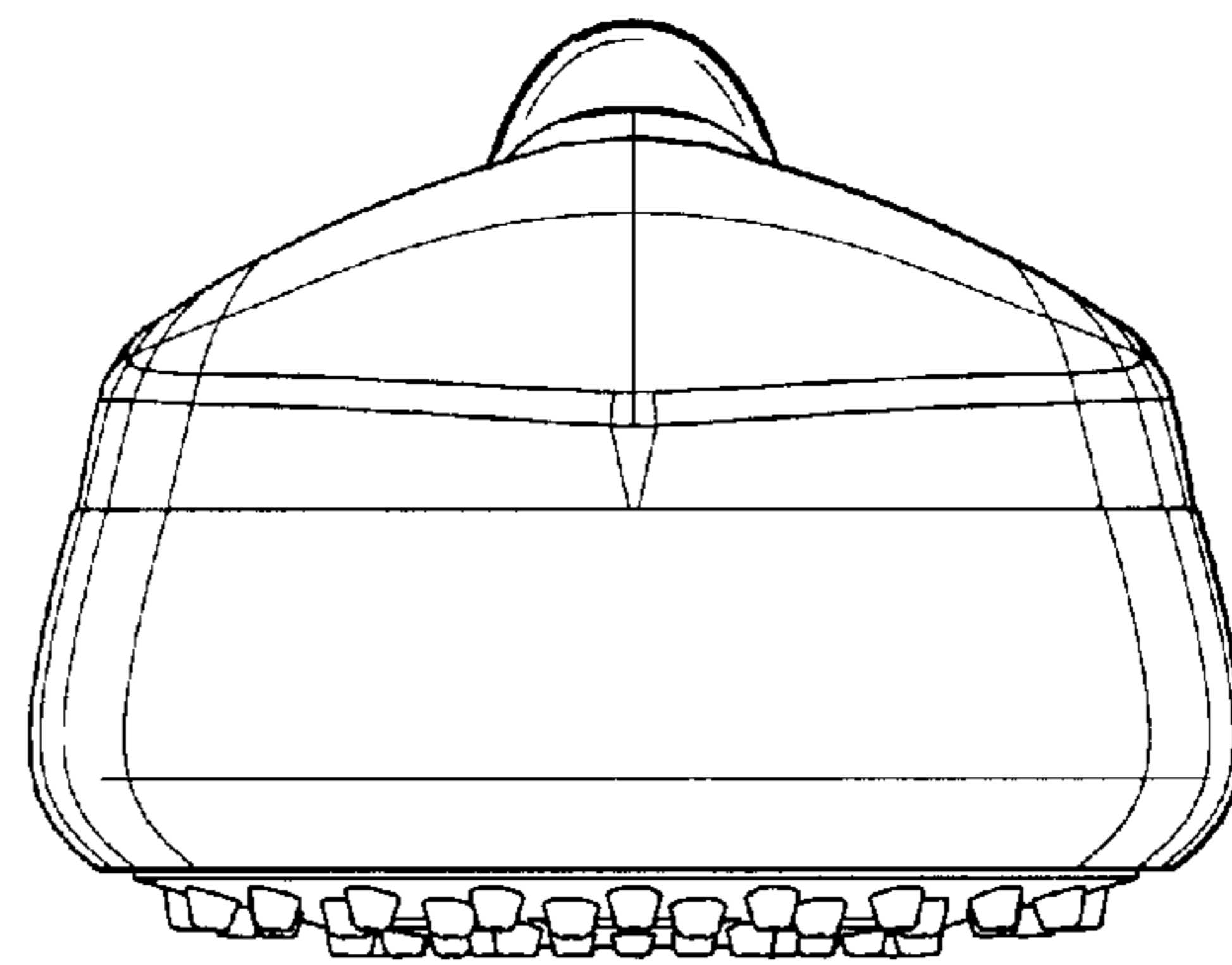


Fig-4

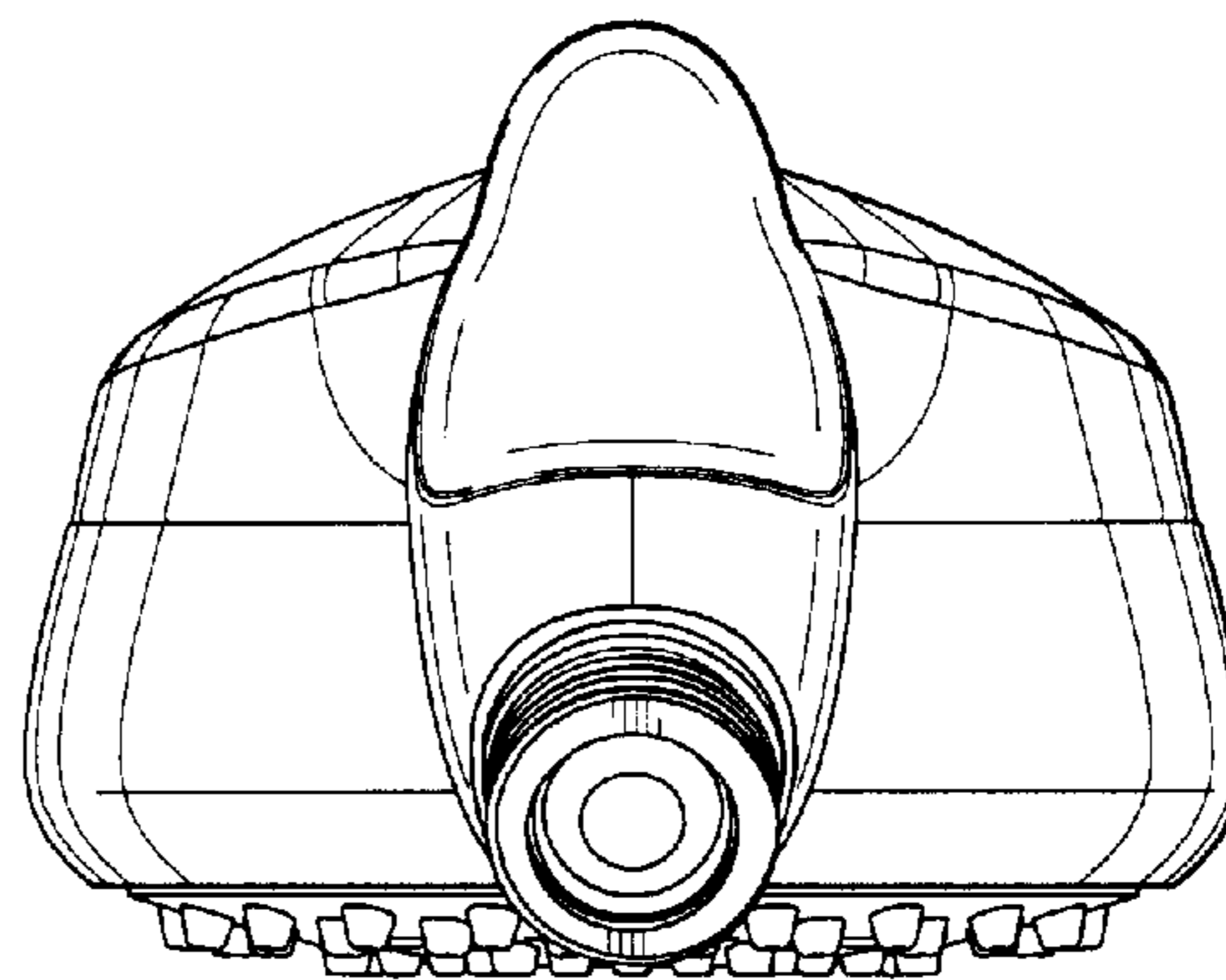


Fig-5