



US00D534236S

(12) **United States Design Patent**
Zecher

(10) **Patent No.:** **US D534,236 S**

(45) **Date of Patent:** **** Dec. 26, 2006**

(54) **BIRD DETERRENT DEVICE VANE**

(75) Inventor: **Peter H. Zecher**, Honokus, NJ (US)

(73) Assignee: **Gullsweep, L.L.C.**, Midland Park, NJ (US)

(**) Term: **14 Years**

(21) Appl. No.: **29/236,562**

(22) Filed: **Aug. 17, 2005**

(51) **LOC (8) Cl.** **22-06**

(52) **U.S. Cl.** **D22/120**

(58) **Field of Classification Search** D22/120,
D22/119, 125; 43/1-2, 58; 119/537, 713,
119/963; D10/59

See application file for complete search history.

(56) **References Cited**

U.S. PATENT DOCUMENTS

4,962,619	A	*	10/1990	Chatten	52/101
D359,099	S	*	6/1995	Sugimoto	D22/119
D388,151	S	*	12/1997	Shaw	D22/120
D404,107	S	*	1/1999	Dimston	D22/120
6,178,701	B1	*	1/2001	De Paepe et al.	52/101

* cited by examiner

Primary Examiner—Catherine R. Oliver

(74) *Attorney, Agent, or Firm*—Lerner, David, Littenberg, Krumholz & Mentlik, LLP

(57) **CLAIM**

The ornamental design for a bird deterrent device vane, as shown and described.

DESCRIPTION

FIG. 1 is a perspective view of a bird deterrent device incorporating the inventive bird deterrent device vane;

FIG. 2 is a partially broken blown up view of the bird deterrent device of FIG. 1;

FIG. 3 is a perspective view of the inventive bird deterrent device vane forming a portion of the bird deterrent device of FIG. 1;

FIG. 4 is a frontal view thereof;

FIG. 5 is a rear view thereof;

FIG. 6 is a right side view thereof;

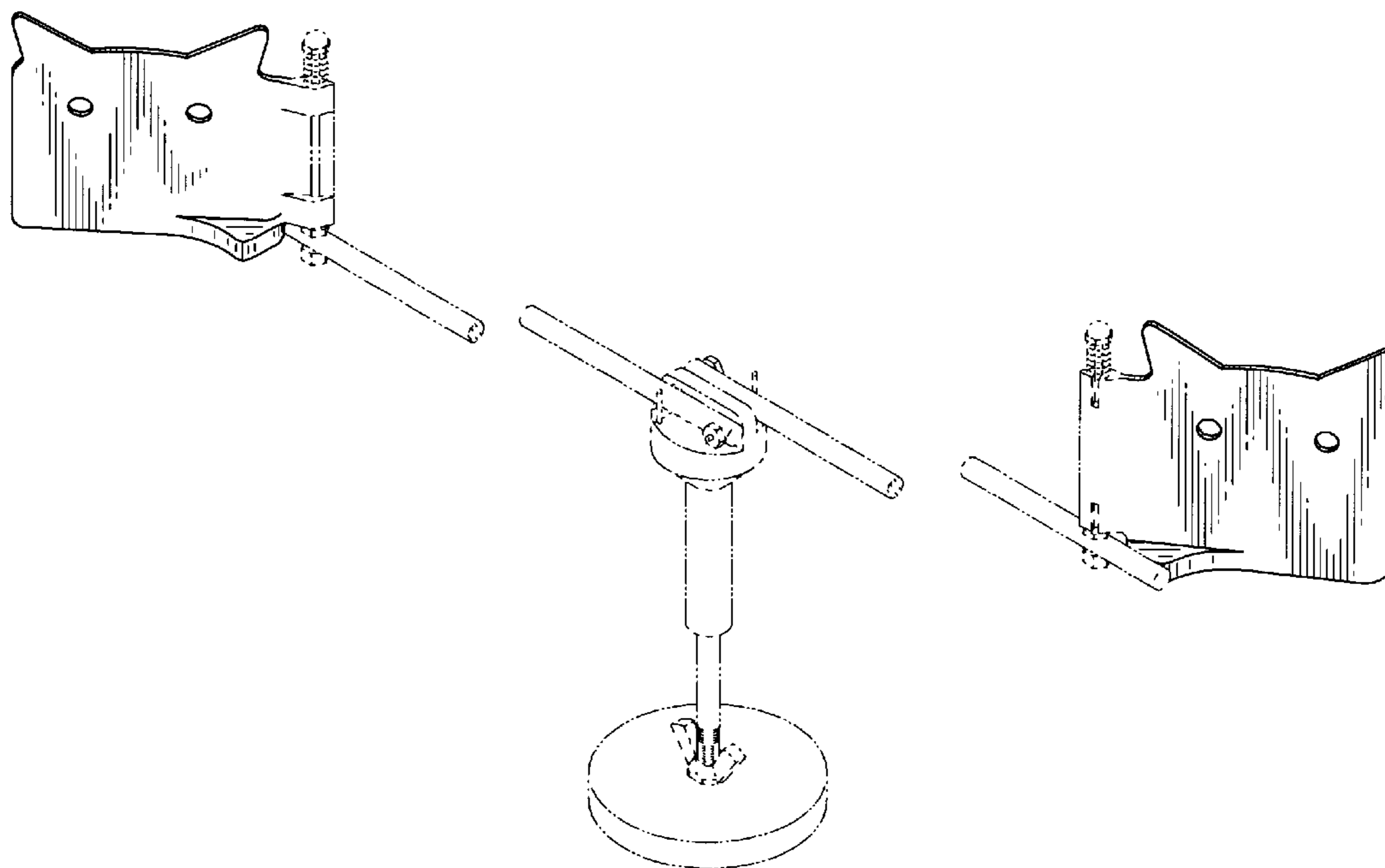
FIG. 7 is a left side view thereof;

FIG. 8 is a top view thereof; and,

FIG. 9 is a bottom view thereof.

The broken lines shown in FIGS. 1-9 are for illustrative purposes only, and form no part of the presently claimed invention.

1 Claim, 4 Drawing Sheets



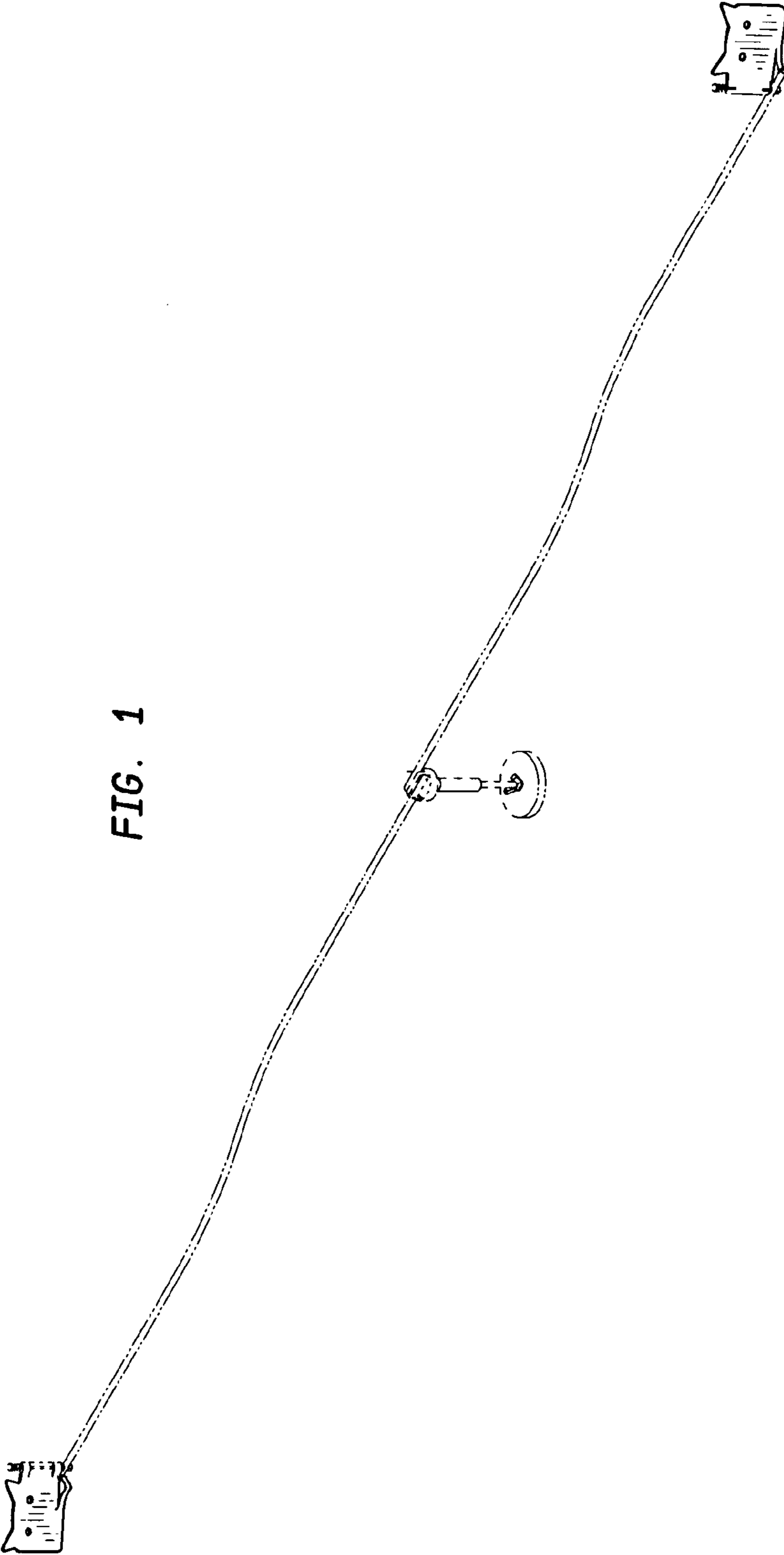


FIG. 1

FIG. 2

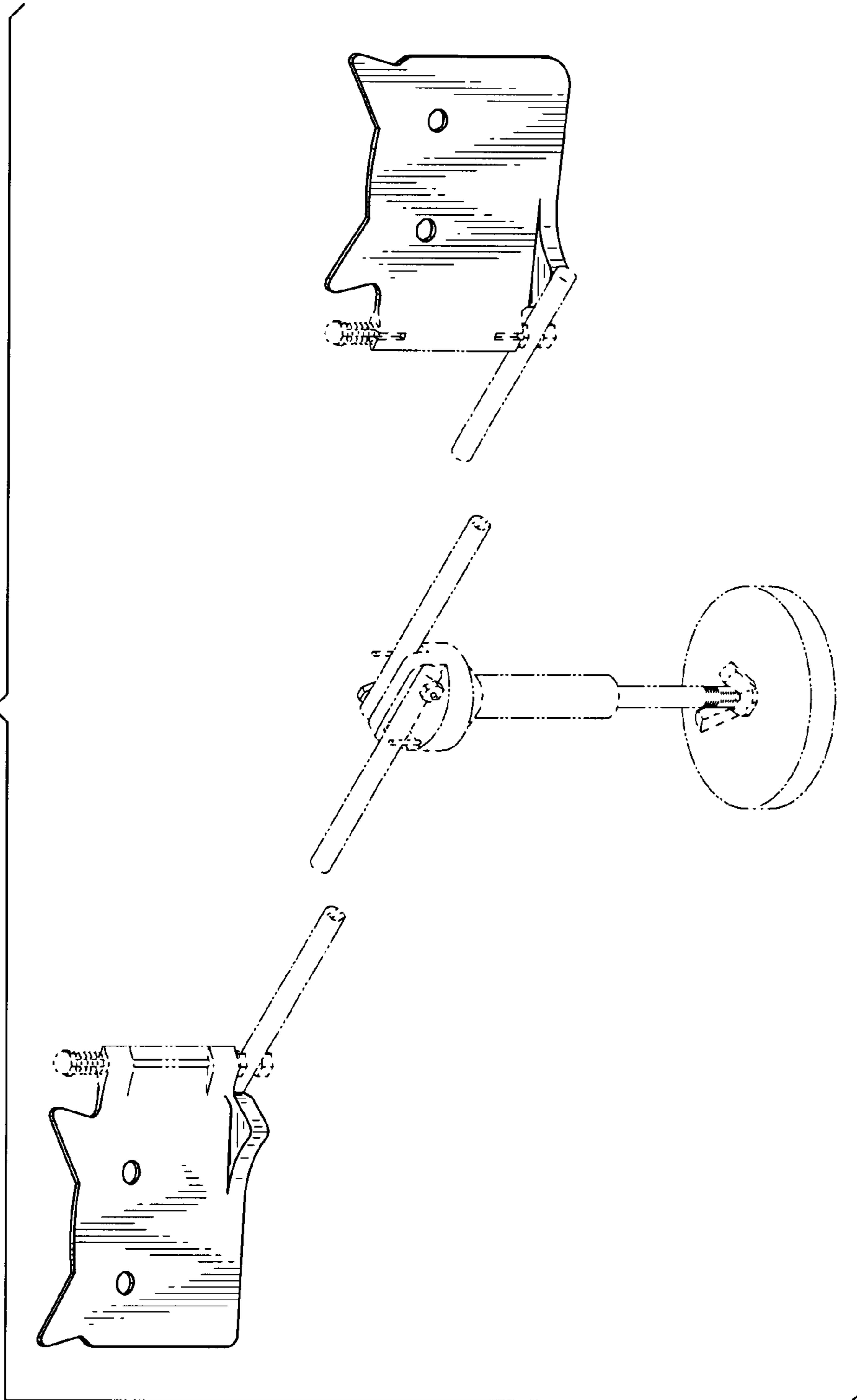


FIG. 3

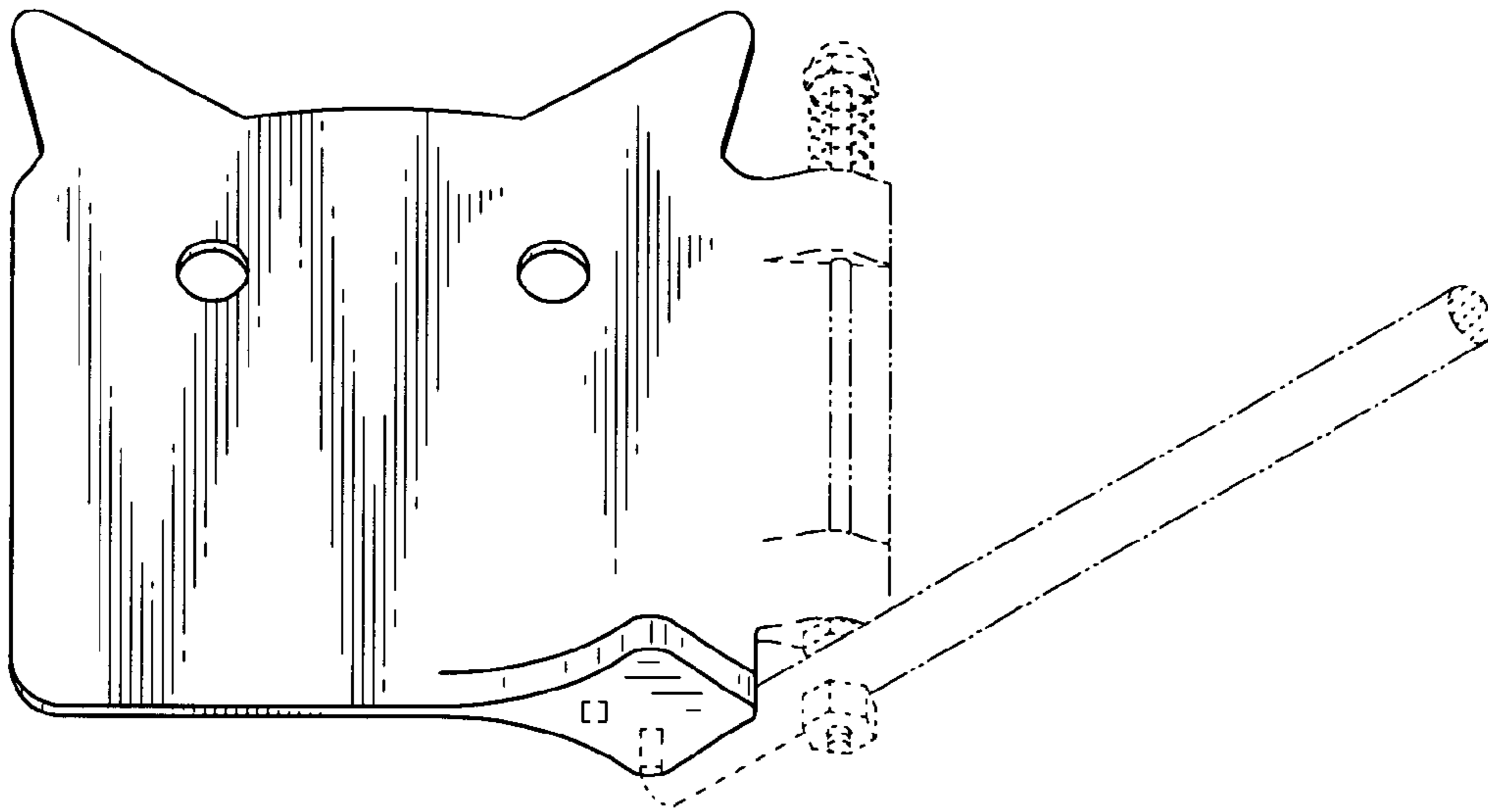


FIG. 4

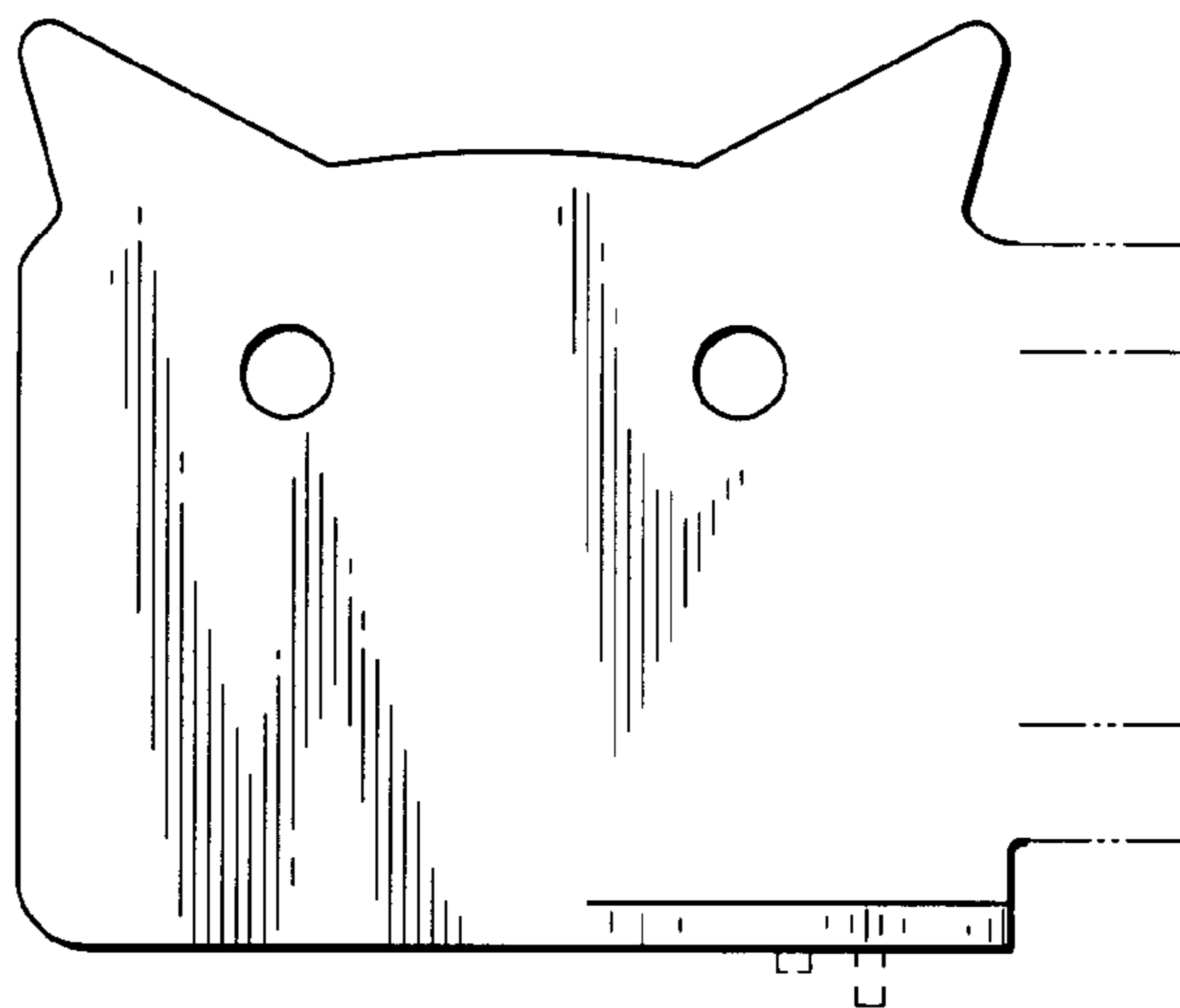


FIG. 5

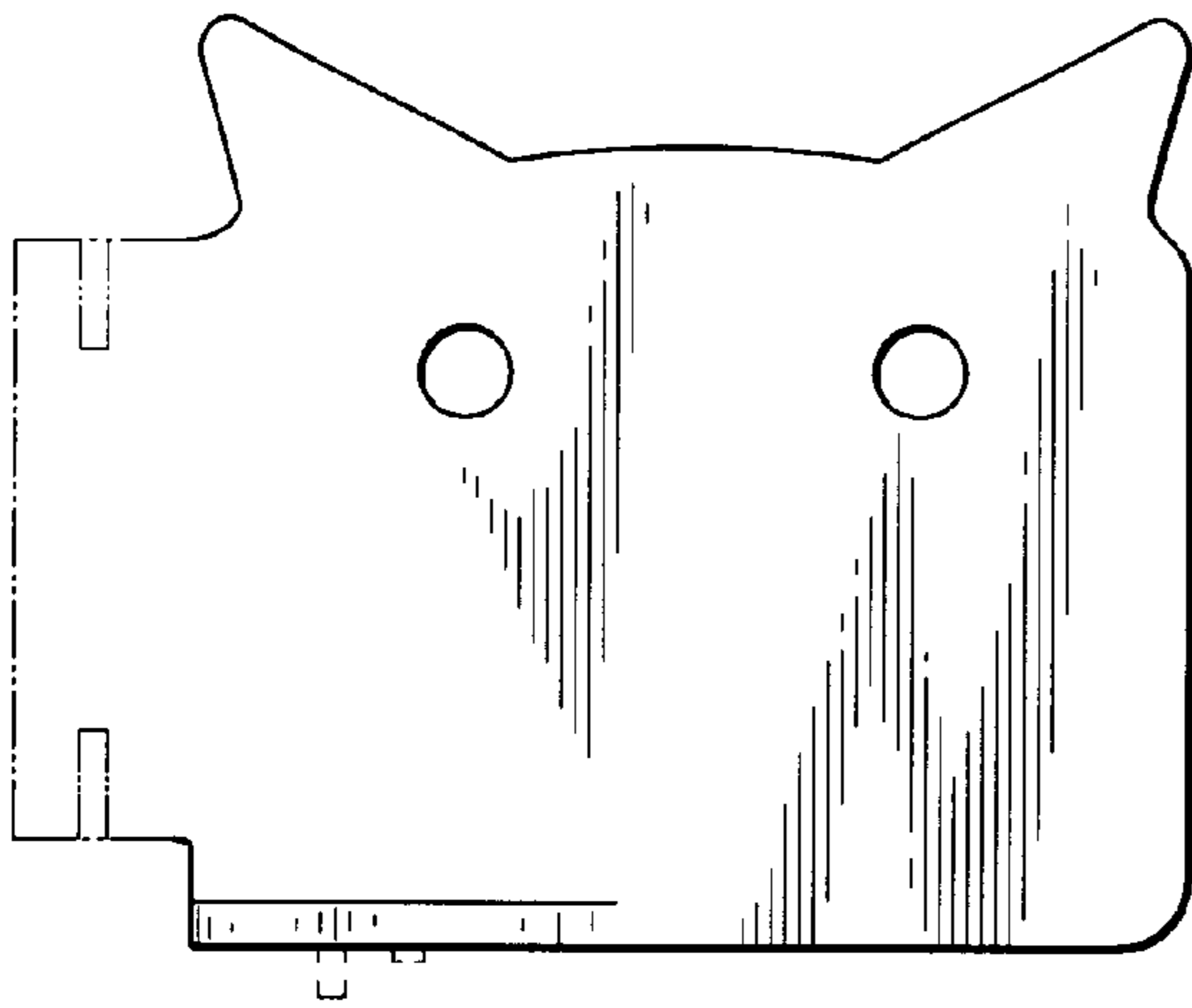


FIG. 6

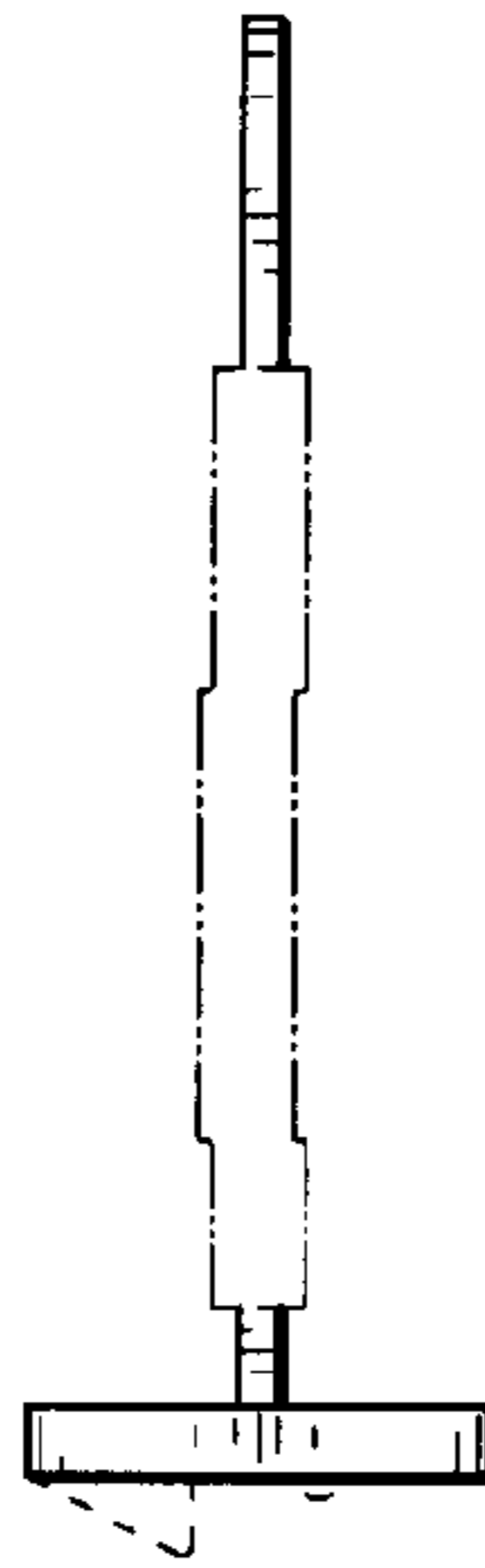


FIG. 7

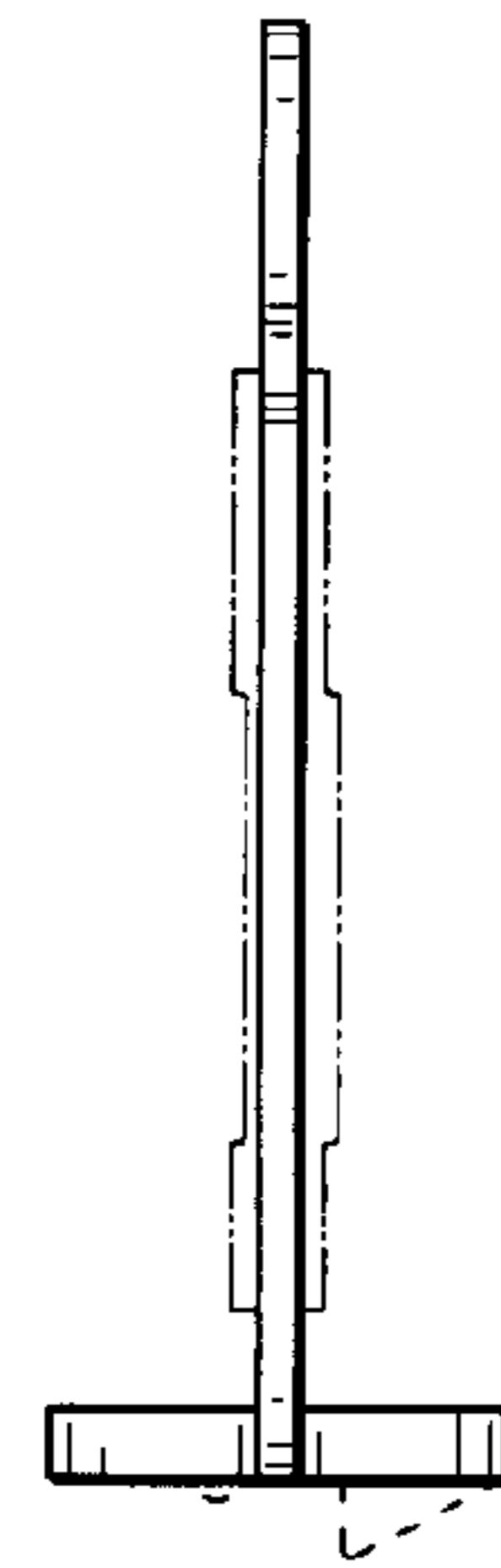


FIG. 8

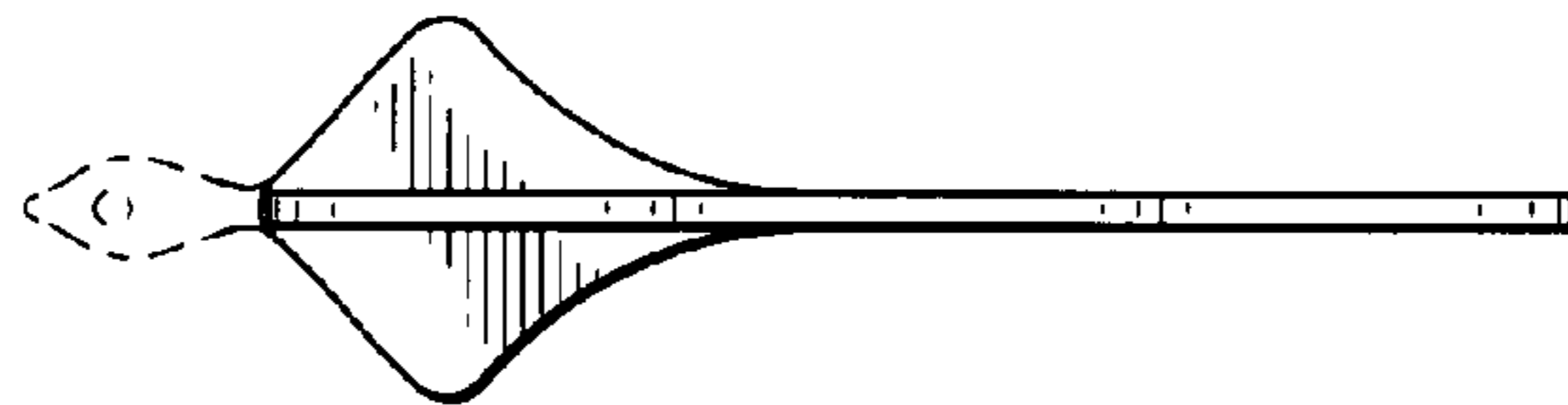
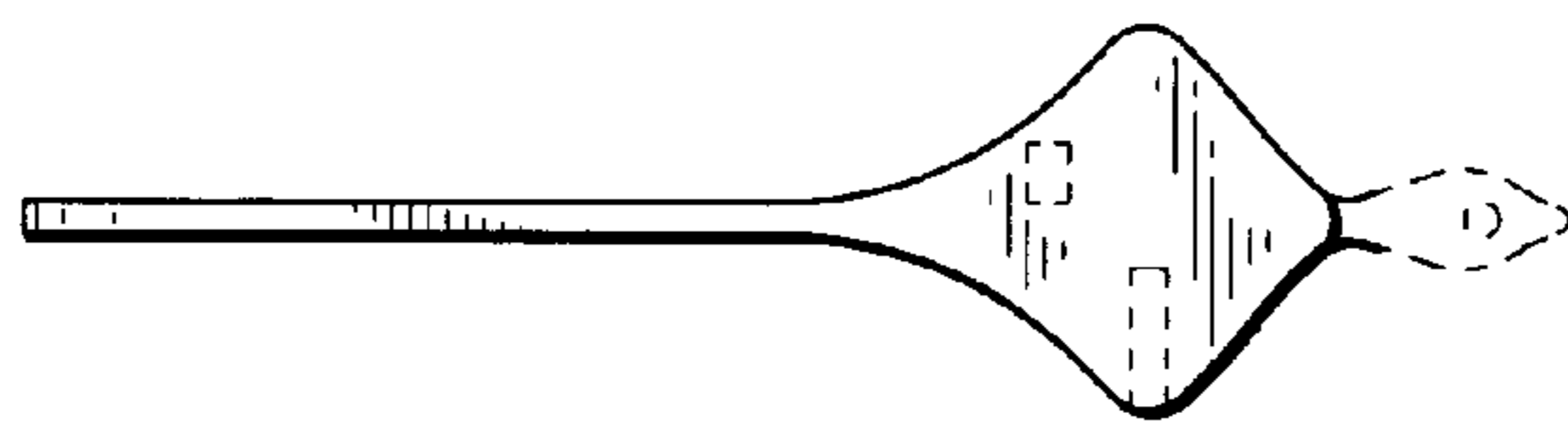


FIG. 9



UNITED STATES PATENT AND TRADEMARK OFFICE
CERTIFICATE OF CORRECTION

PATENT NO. : Des. 534,236 S
APPLICATION NO. : 29/236562
DATED : December 26, 2006
INVENTOR(S) : Peter H. Zecher

Page 1 of 1

It is certified that error appears in the above-identified patent and that said Letters Patent is hereby corrected as shown below:

Cover Page, (75) Inventor: "Honokus" should read --Hohokus--.

Signed and Sealed this

Twentieth Day of November, 2007

A handwritten signature in black ink on a light gray dotted background. The signature reads "Jon W. Dudas" in a cursive style.

JON W. DUDAS

Director of the United States Patent and Trademark Office