



US00D534235S

(12) **United States Design Patent**
Price

(10) **Patent No.:** **US D534,235 S**

(45) **Date of Patent:** **** Dec. 26, 2006**

(54) **MUZZLE BRAKE**

(76) Inventor: **Donald H. Price**, 1574 Coburg Rd.,
194, Eugene, OR (US) 97401

(**) Term: **14 Years**

(21) Appl. No.: **29/235,193**

(22) Filed: **Jul. 27, 2005**

(51) **LOC (8) Cl.** **22-01**

(52) **U.S. Cl.** **D22/108**

(58) **Field of Classification Search** D22/108;
42/51, 66, 61, 67, 70.01, 76.01, 79, 107;
89/1.3, 27.12

See application file for complete search history.

(56) **References Cited**

U.S. PATENT DOCUMENTS

2,809,560	A	*	10/1957	Matson	89/14.3
2,852,983	A	*	9/1958	Netzer	89/14.3
D268,861	S	*	5/1983	Gwinn, Jr.	D22/108
D300,763	S	*	4/1989	Mazzanti	D22/108

* cited by examiner

Primary Examiner—Ian Simmons

Assistant Examiner—Melanie Levy

(74) *Attorney, Agent, or Firm*—Robert E. Howard

(57) **CLAIM**

The ornamental design for a muzzle brake, as shown and described.

DESCRIPTION

FIG. 1 is a left front perspective view of the muzzle brake showing the design;

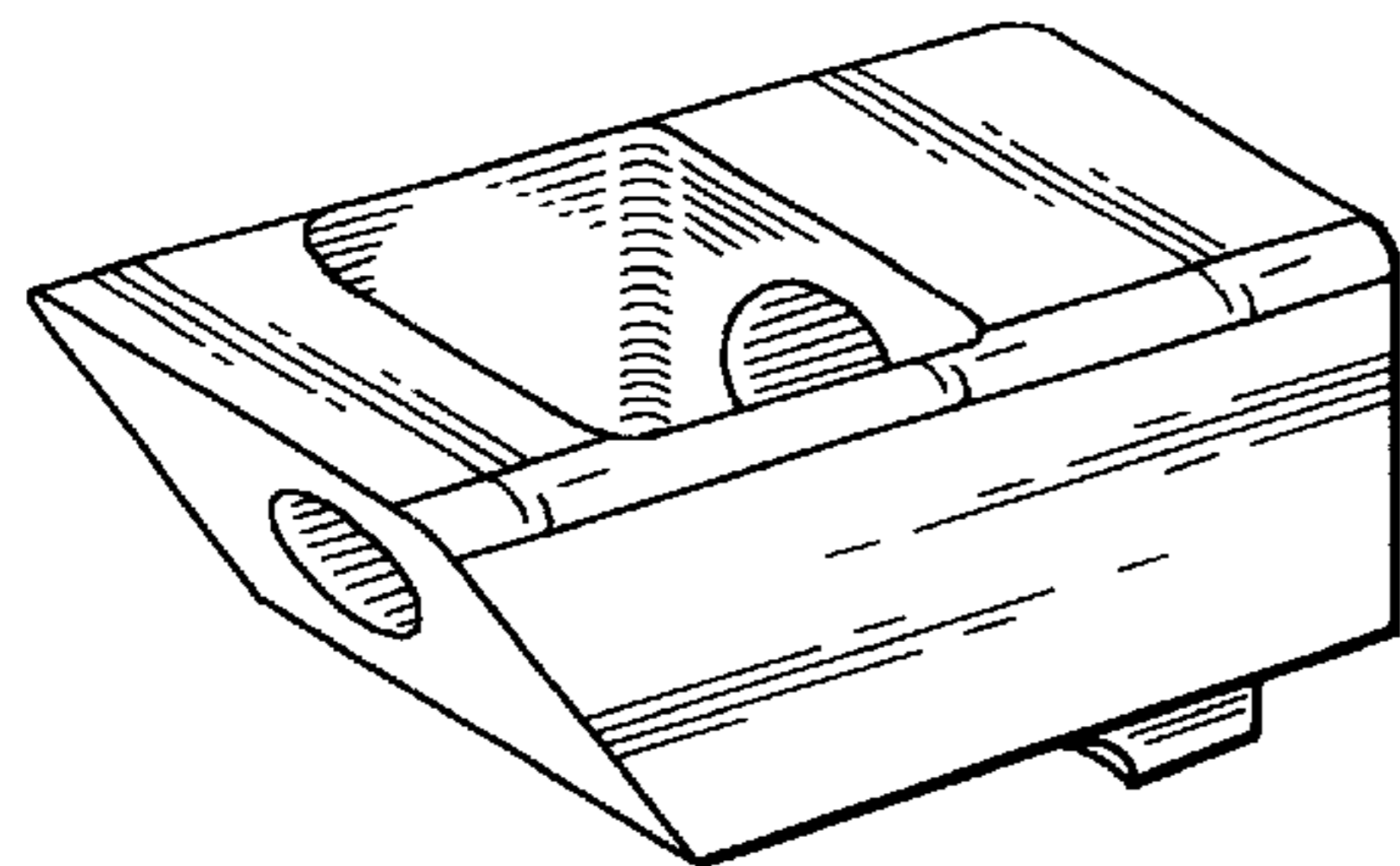


FIG. 2 is a left side elevational view thereof;

FIG. 3 is a right side elevational view thereof;

FIG. 4 is a top plan view thereof;

FIG. 5 is a bottom plan view thereof;

FIG. 6 is a front elevational view thereof;

FIG. 7 is a rear elevational view thereof;

FIG. 8 is a left side elevational view thereof, the broken line showing of the pistol is for illustrative purposes only and forms no part of the claimed design;

FIG. 9 is a left side and front perspective view of a second embodiment of a muzzle brake showing my new design;

FIG. 10 is a left side elevational view thereof;

FIG. 11 is a right side elevational view thereof;

FIG. 12 is a top plan view thereof;

FIG. 13 is a bottom plan view thereof;

FIG. 14 is a front elevational view thereof;

FIG. 15 is a rear elevational view thereof; and,

FIG. 16 is a left side elevational view thereof, the broken line showing of the pistol is for illustrative purposes only and forms no part of the claimed design.

The broken lines are for illustrative purposes only and form no part of the claimed design.

1 Claim, 4 Drawing Sheets

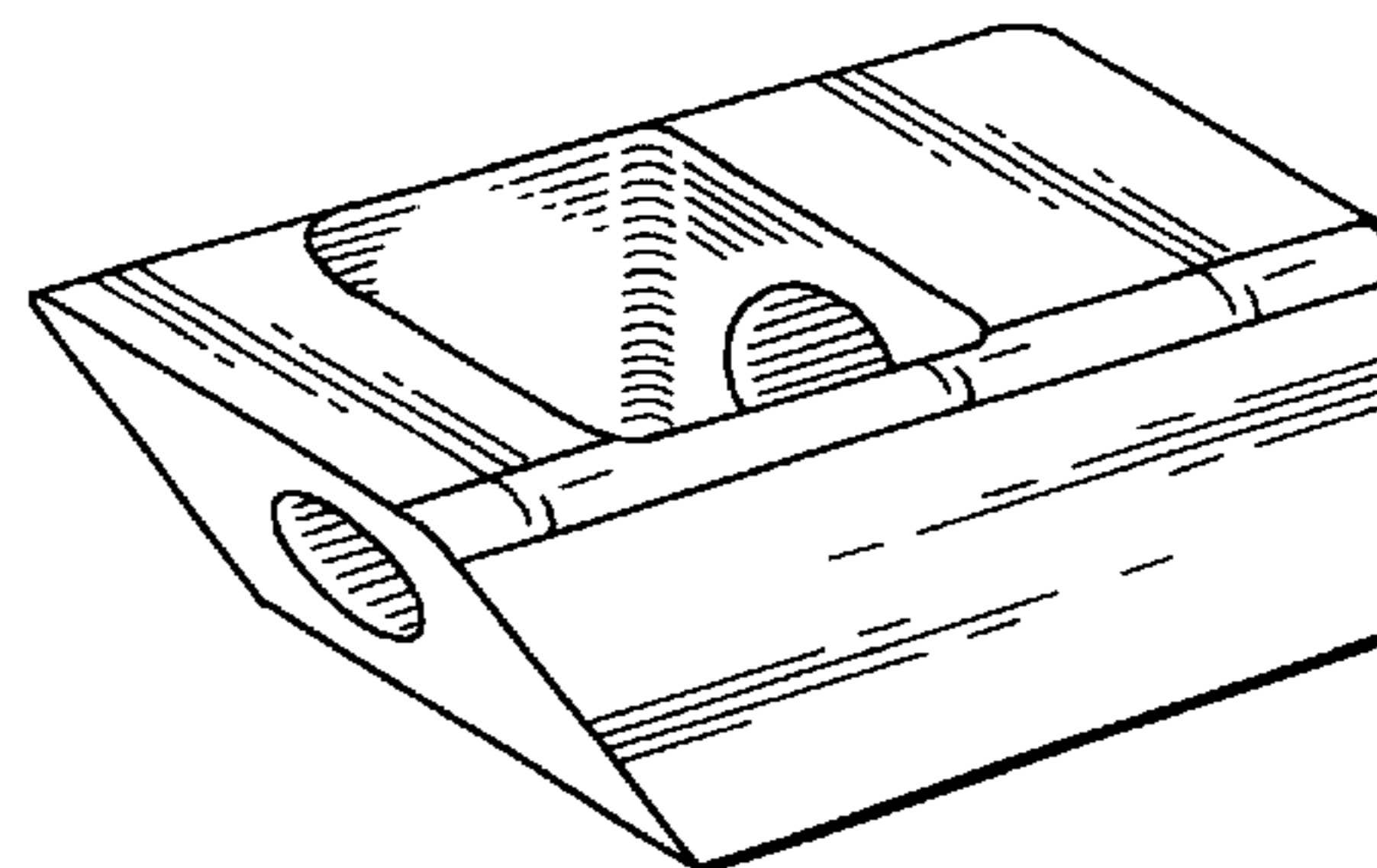


Fig. 1

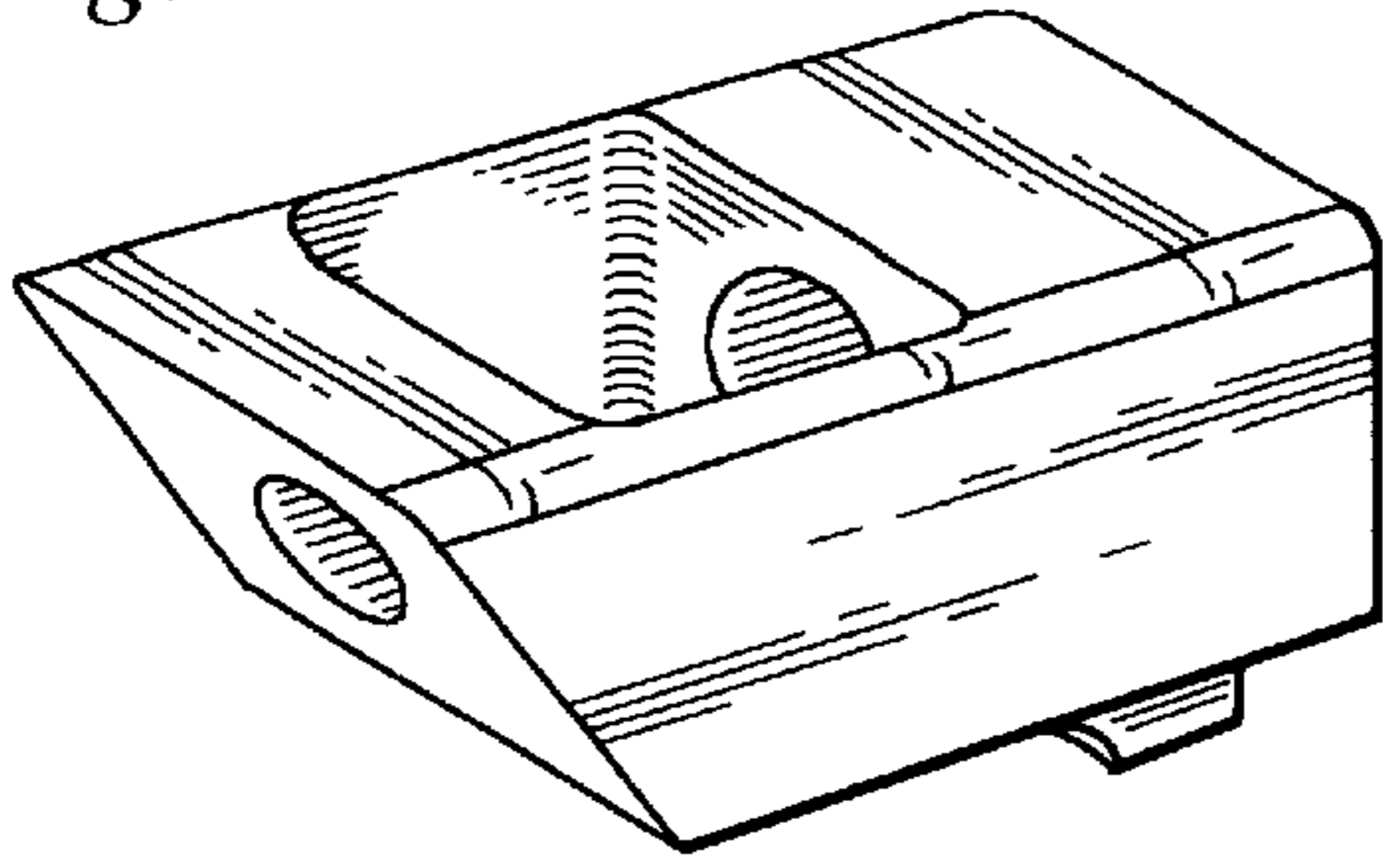


Fig. 2

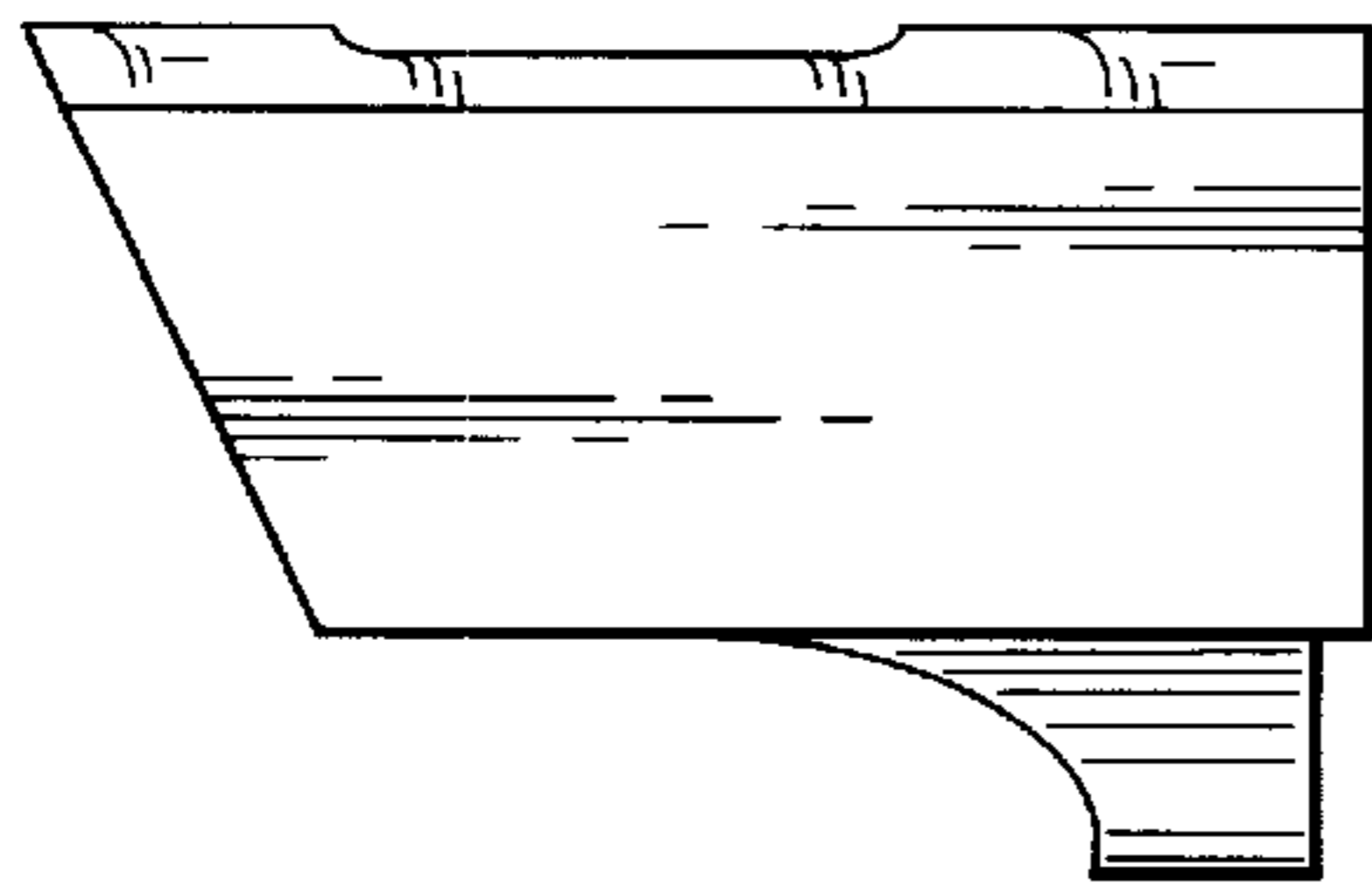


Fig. 3

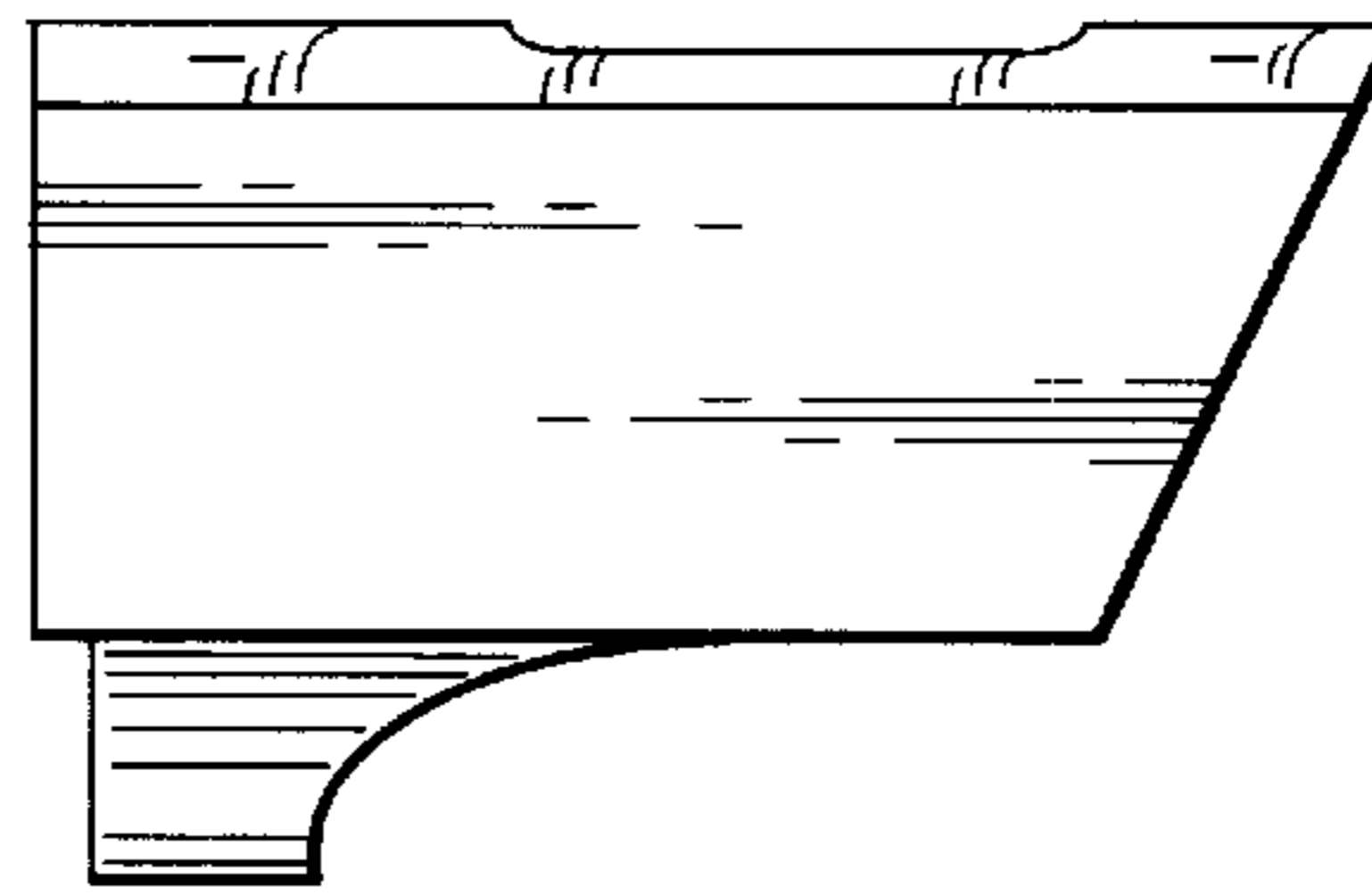


Fig. 4

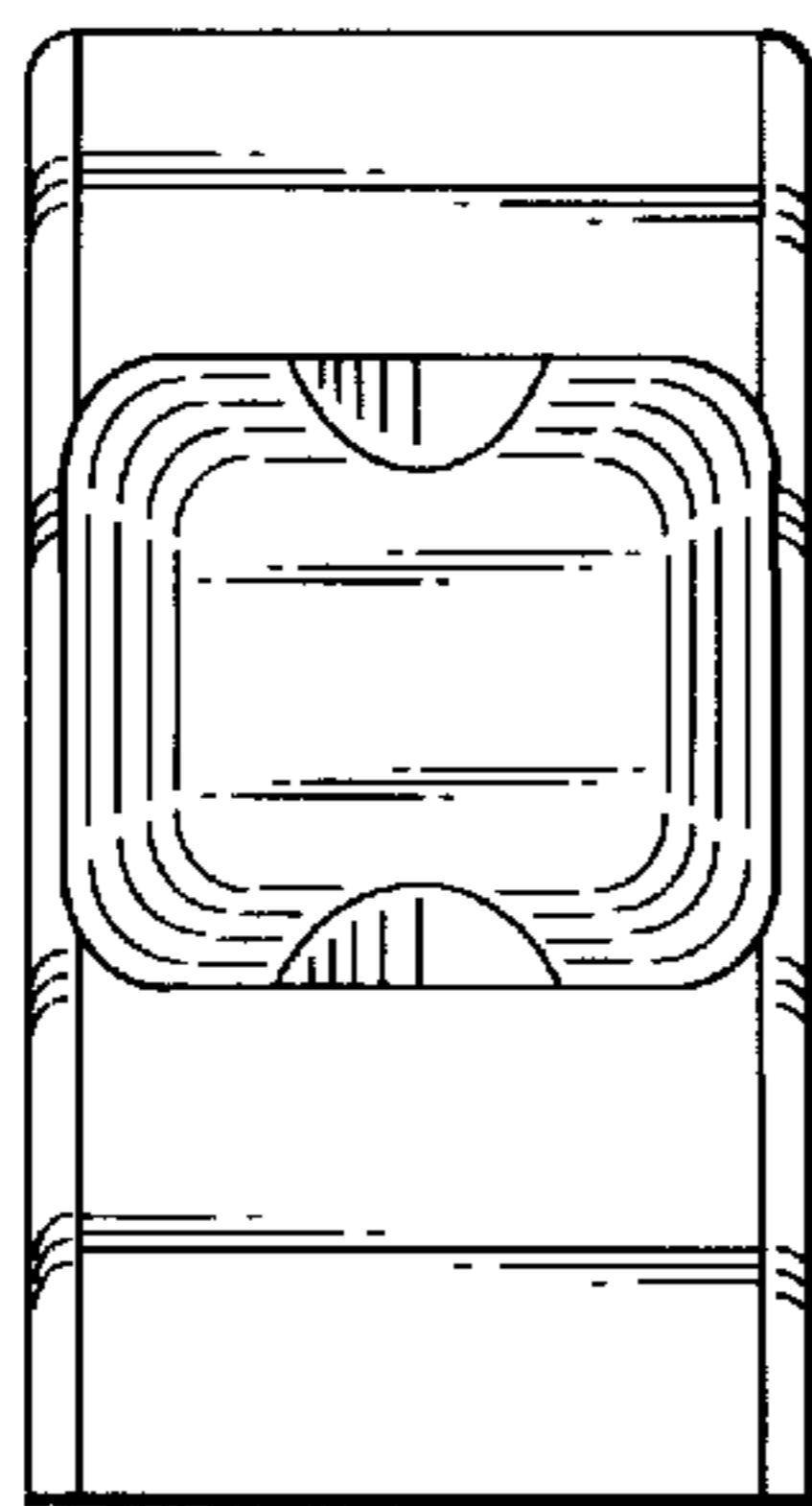


Fig. 5

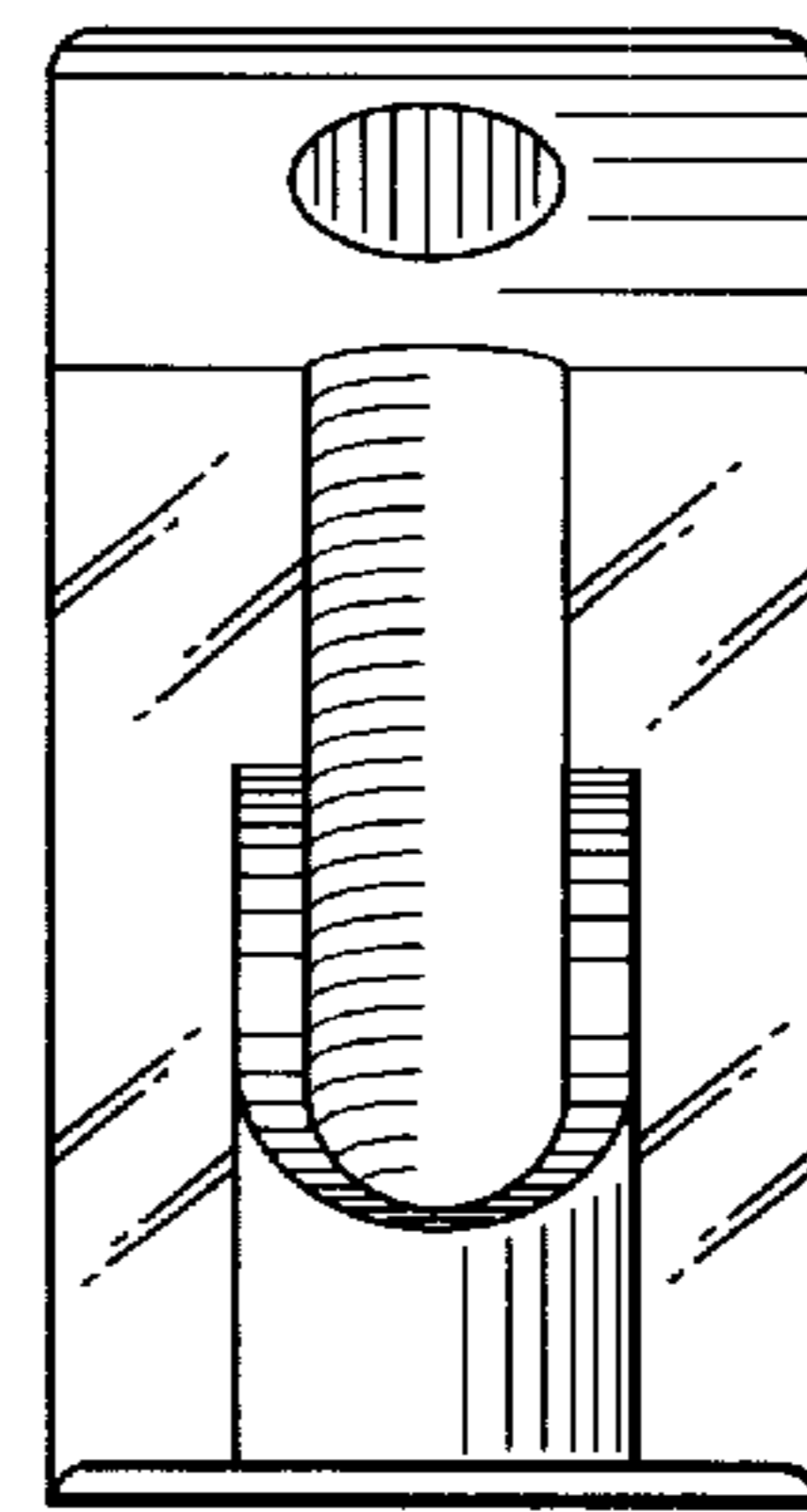


Fig. 6

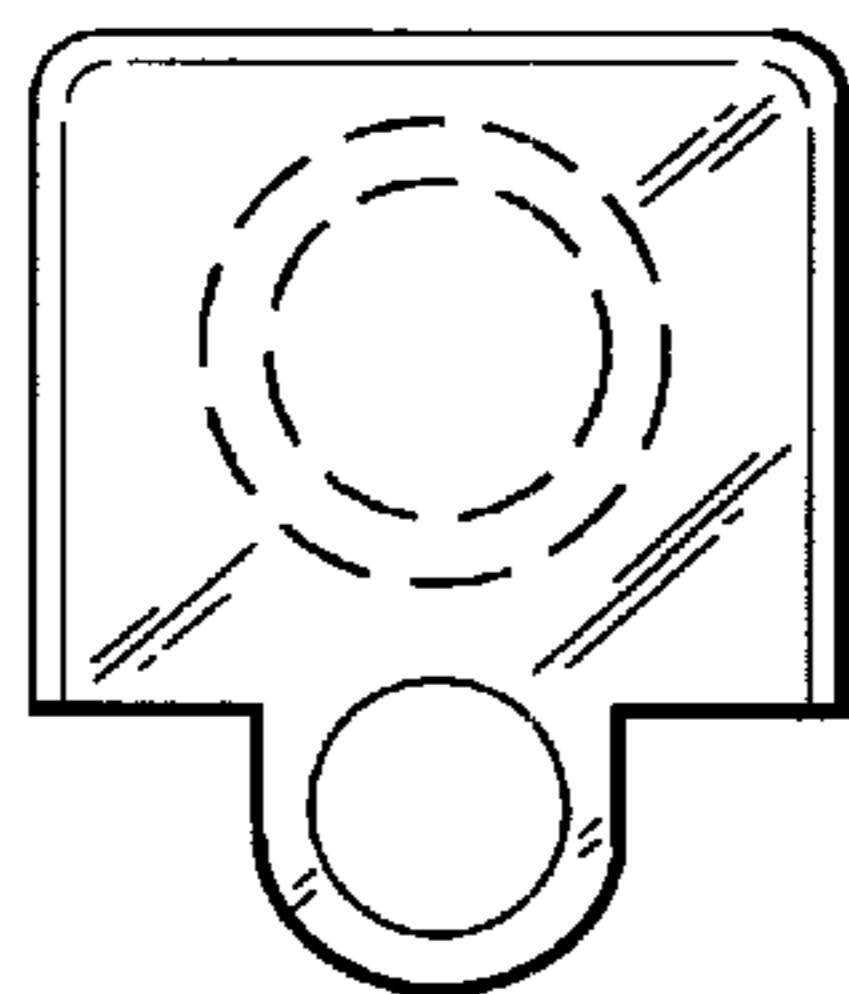


Fig. 7

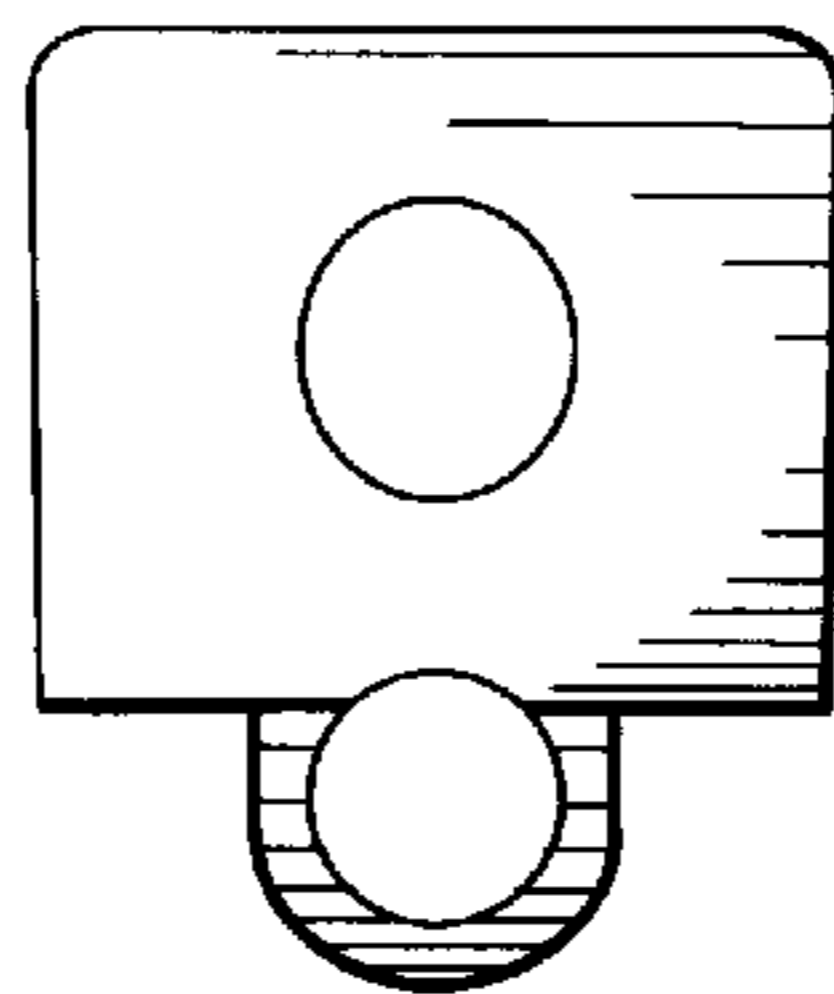


Fig. 8

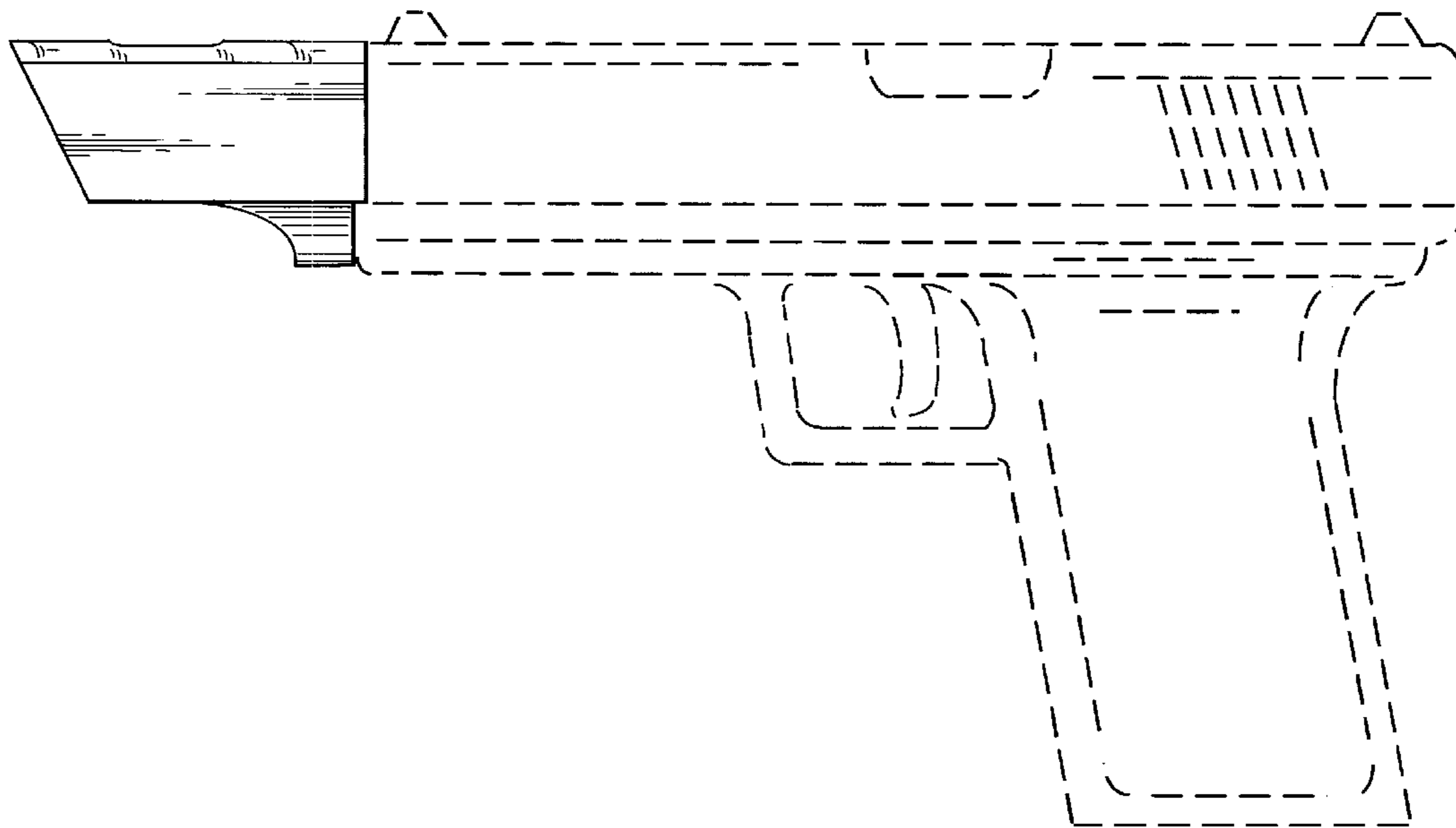


Fig. 9

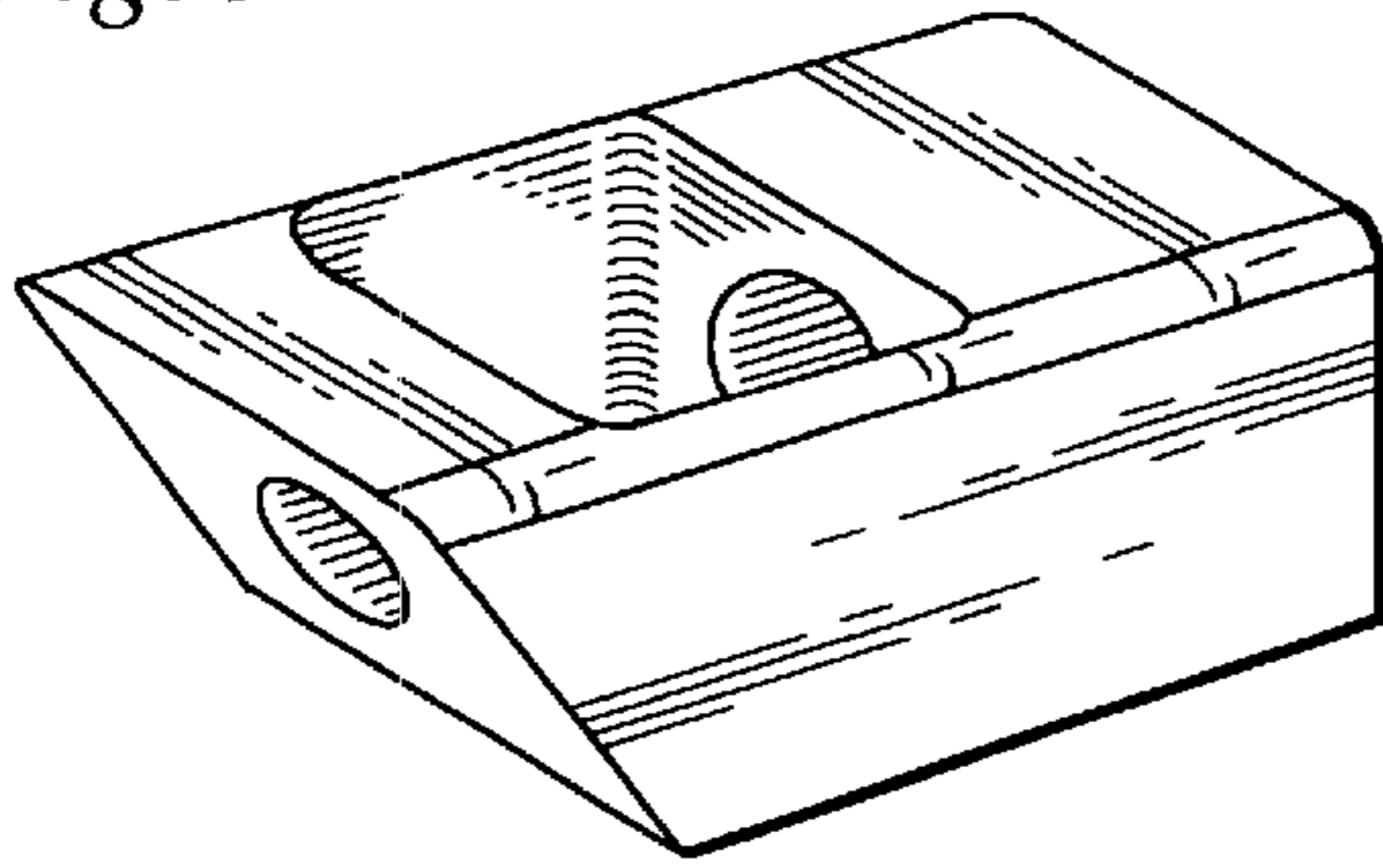


Fig. 10

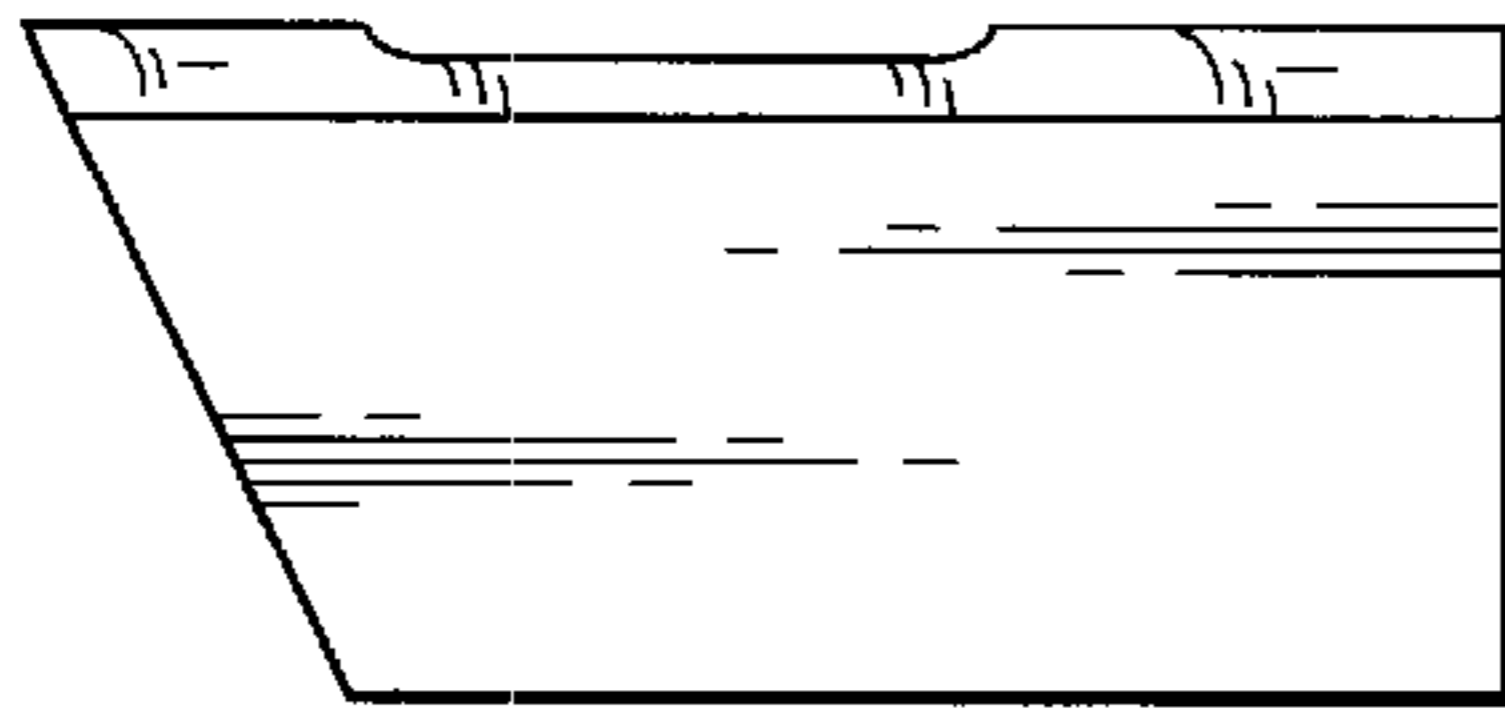


Fig. 11

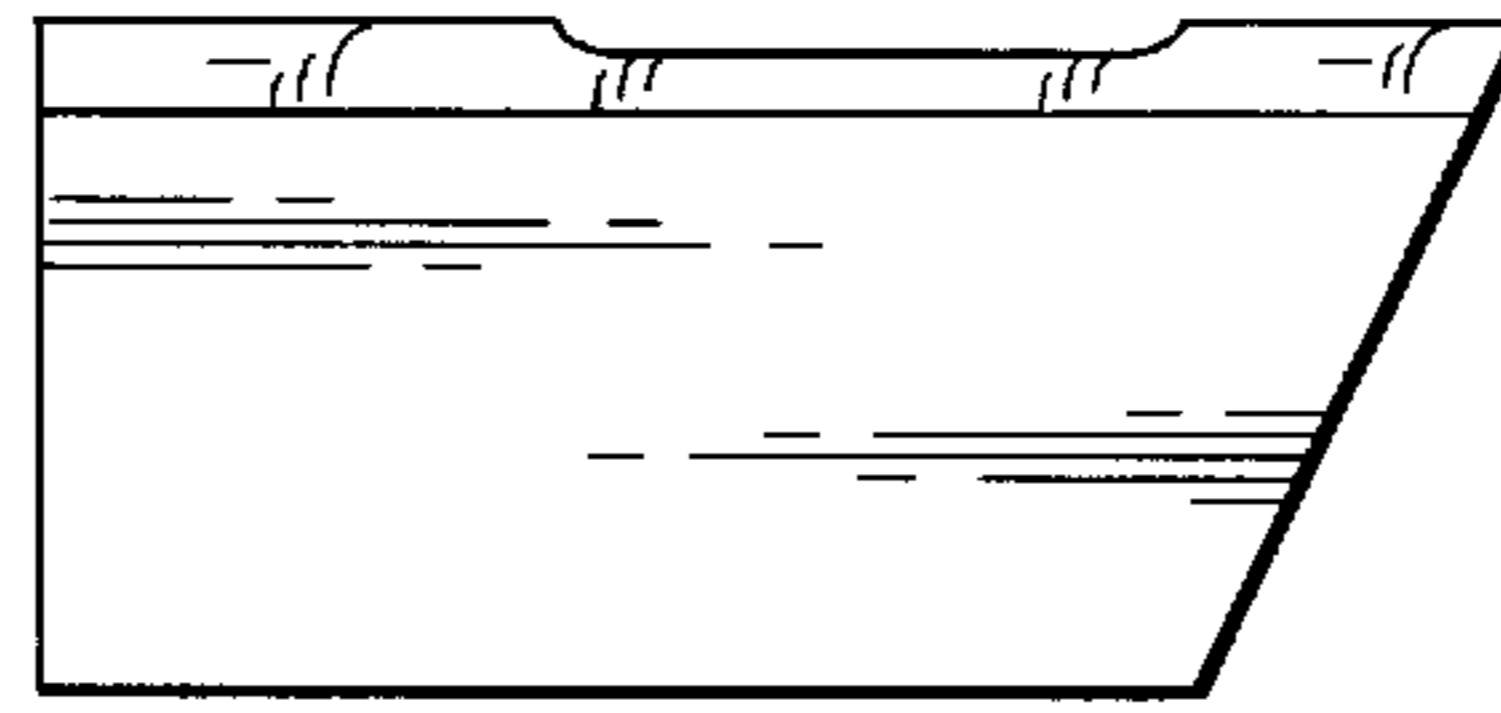


Fig. 12

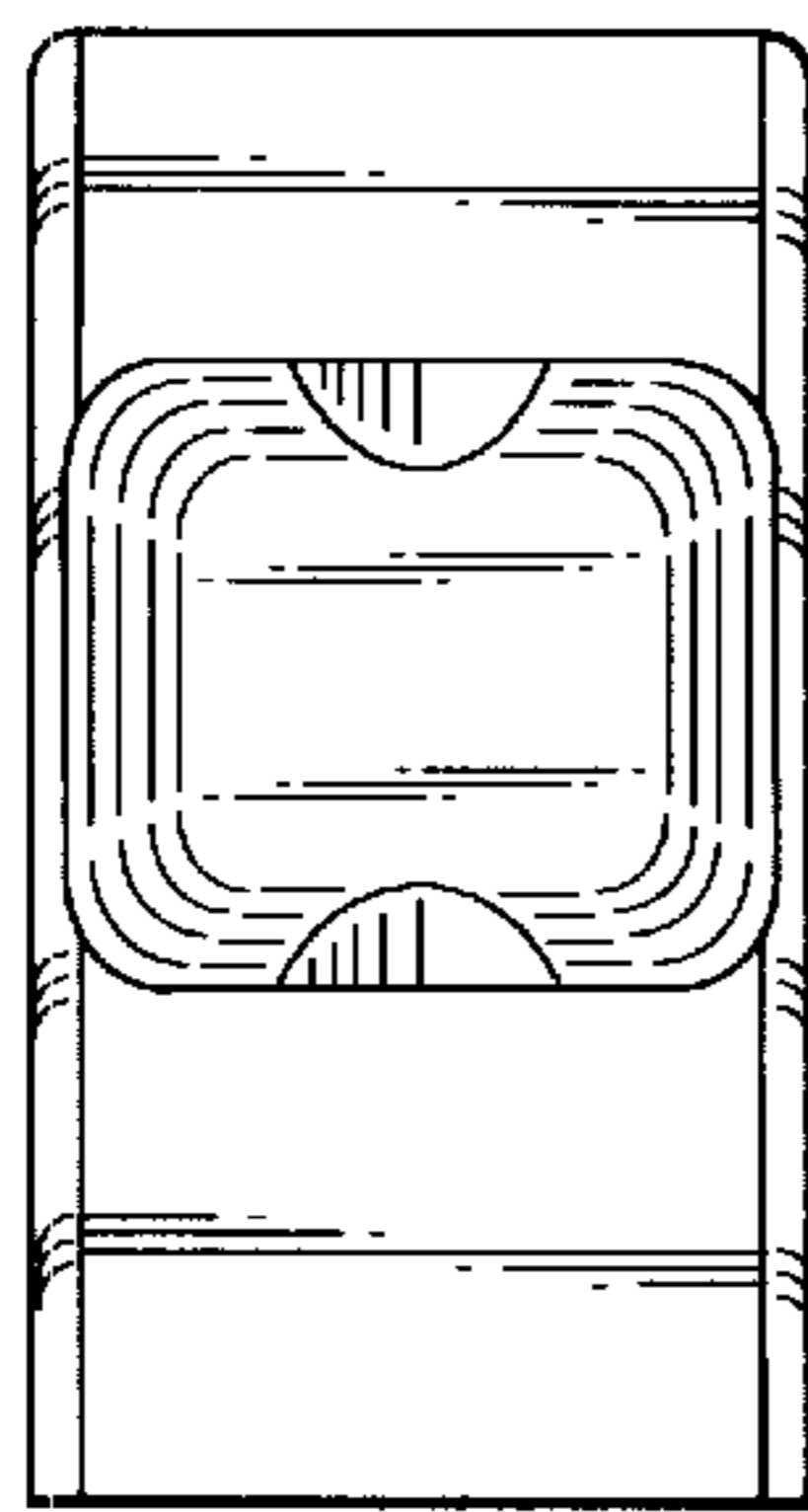


Fig. 13

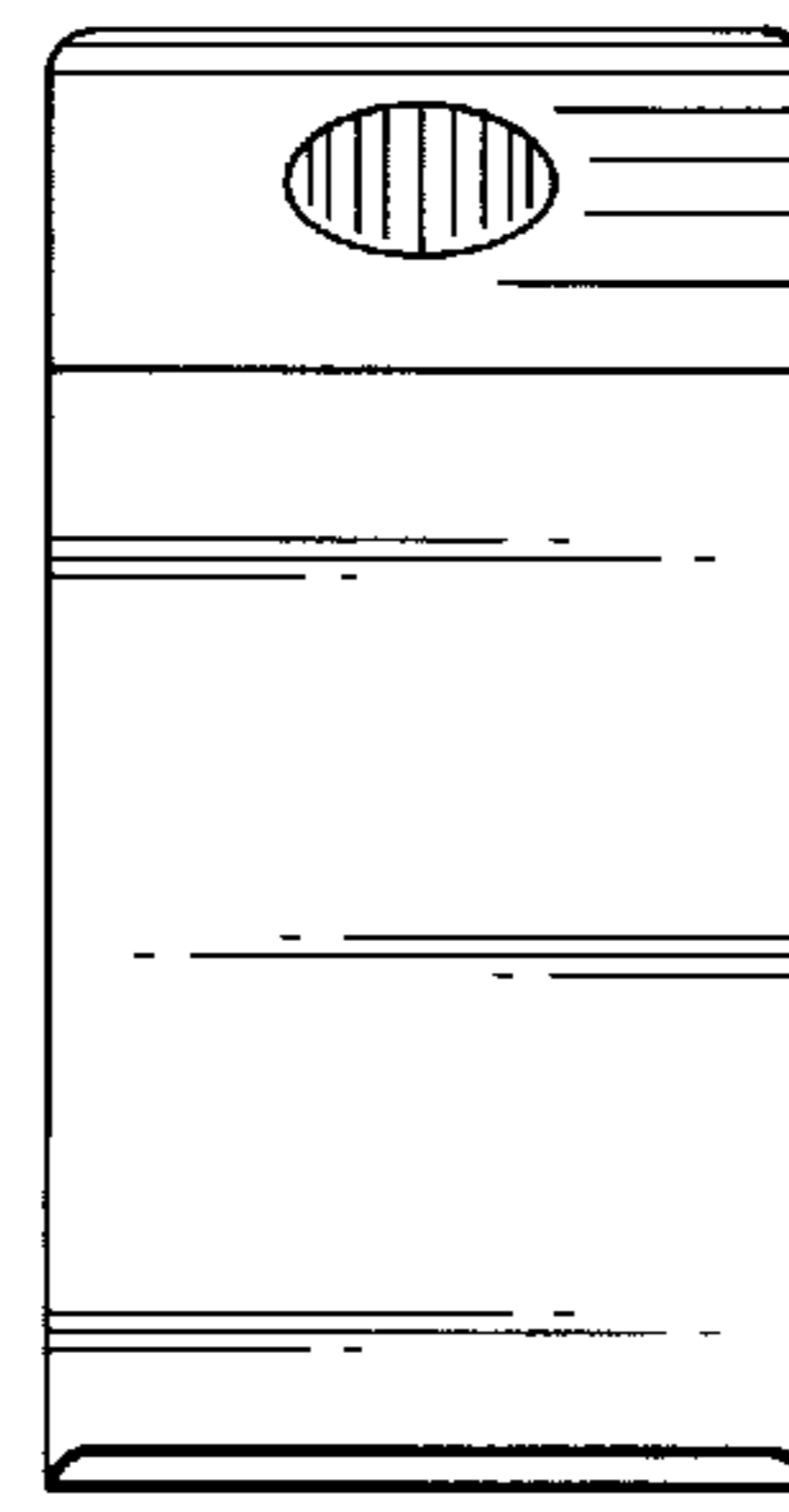


Fig. 14

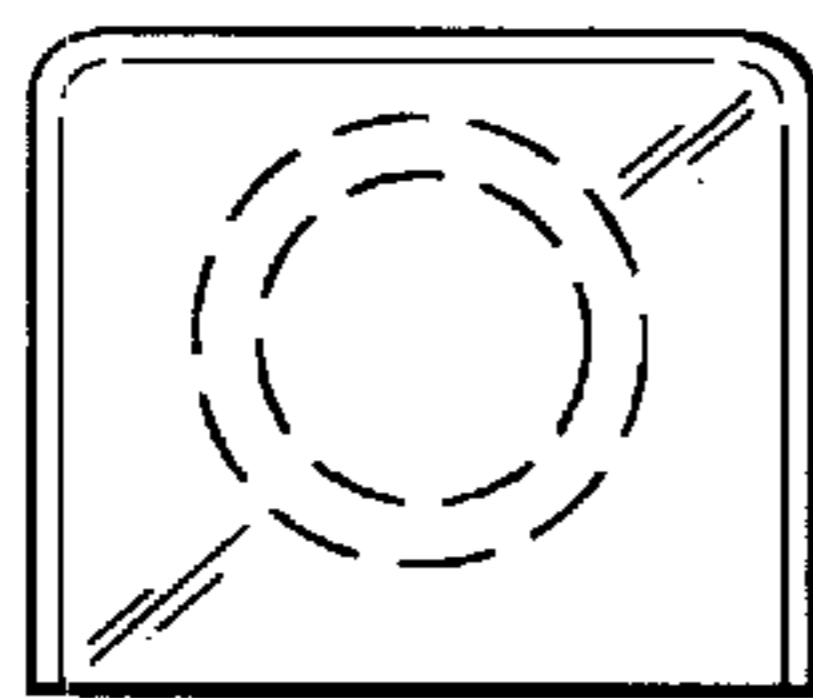


Fig. 15

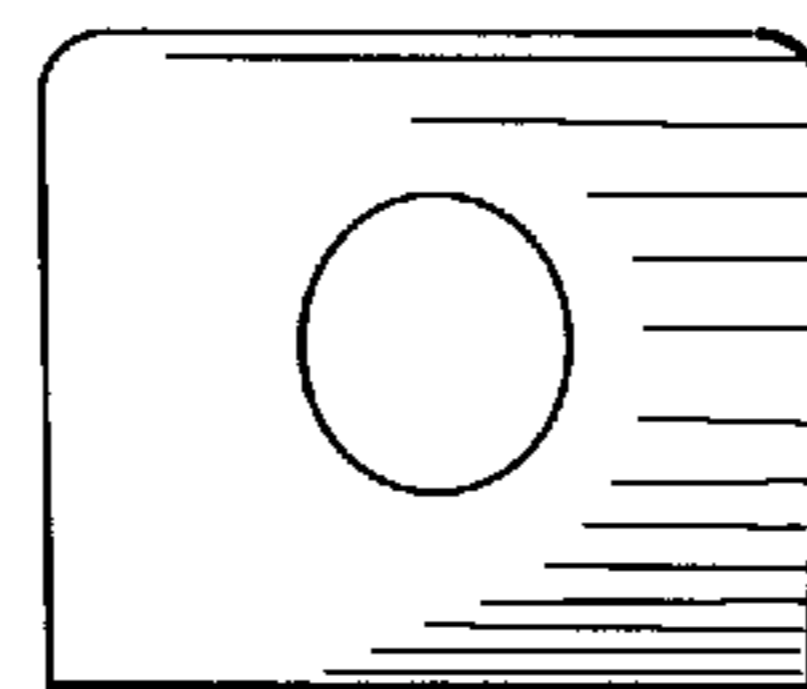


Fig. 16

