



US00D534226S

(12) **United States Design Patent**
Corbalis et al.

(10) **Patent No.:** **US D534,226 S**

(45) **Date of Patent:** **** Dec. 26, 2006**

(54) **UPRIGHT EXERCISE BIKE**

(75) Inventors: **Kevin Patrick Corbalis**, Tustin, CA (US); **Mark William Chiles**, Yorba Linda, CA (US); **Victor Torres Cornejo**, Tustin, CA (US); **Jirawat O. Jeamvigite**, Los Angeles, CA (US); **John Cook**, Ventura, CA (US)

(73) Assignee: **Unisen, Inc.**, Irvine, CA (US)

(**) Term: **14 Years**

(21) Appl. No.: **29/246,781**

(22) Filed: **May 9, 2006**

Related U.S. Application Data

(62) Division of application No. 29/205,138, filed on May 10, 2004, now Pat. No. Des. 526,031.

(51) **LOC (8) Cl.** **21-02**

(52) **U.S. Cl.** **D21/697**

(58) **Field of Classification Search** D21/662,
D21/663, 664, 665, 666, 667, 697, 694; 482/51,
482/57, 64, 65
See application file for complete search history.

(56) **References Cited**

U.S. PATENT DOCUMENTS

D344,313 S	2/1994	Wu	
D349,932 S	8/1994	Ueda et al.	
D366,298 S	1/1996	Wu	
D380,796 S	* 7/1997	Wang et al. D21/667
5,690,582 A	11/1997	Ulrich et al.	
5,716,304 A	* 2/1998	Wang et al. 482/57
D398,673 S	9/1998	Huang	
D399,894 S	10/1998	Chiu	
D401,644 S	11/1998	Chen	
D406,288 S	3/1999	Chen	
5,890,995 A	4/1999	Bobick et al.	
6,001,046 A	12/1999	Chang	

D444,515 S	*	7/2001	Moran et al.	D21/663
D459,775 S	*	7/2002	Chen	D21/697
D460,133 S	*	7/2002	Baker	D21/697
6,565,487 B1		5/2003	Kuo		
D478,135 S		8/2003	Mival et al.		

OTHER PUBLICATIONS

Digital Image of Tunturi F520 2001.
Cycling in a Recumbent Position, National Fitness Trade Journal, Fall 1998, Author: Dennis Michaelson, pp. 18 & 19.
Star Trac Introduces New V-Bike, National Fitness Trade Journal, Fall 1998, pp. 22, 23, 25.
Website page of Tunturi Recumbent Cycle F 570; <http://web.archive.org/web/19970418121321/www.tunturi.com/f570.html>.
Website page of Tunturi F 520; http://web.archive.org/web/20010430051355/www.tunturi.com/php/fitness.php?tr_id=7&tuote_id=112.

* cited by examiner

Primary Examiner—Philip S. Hyder

(74) *Attorney, Agent, or Firm*—Knobbe, Martens, Olson & Bear, LLP

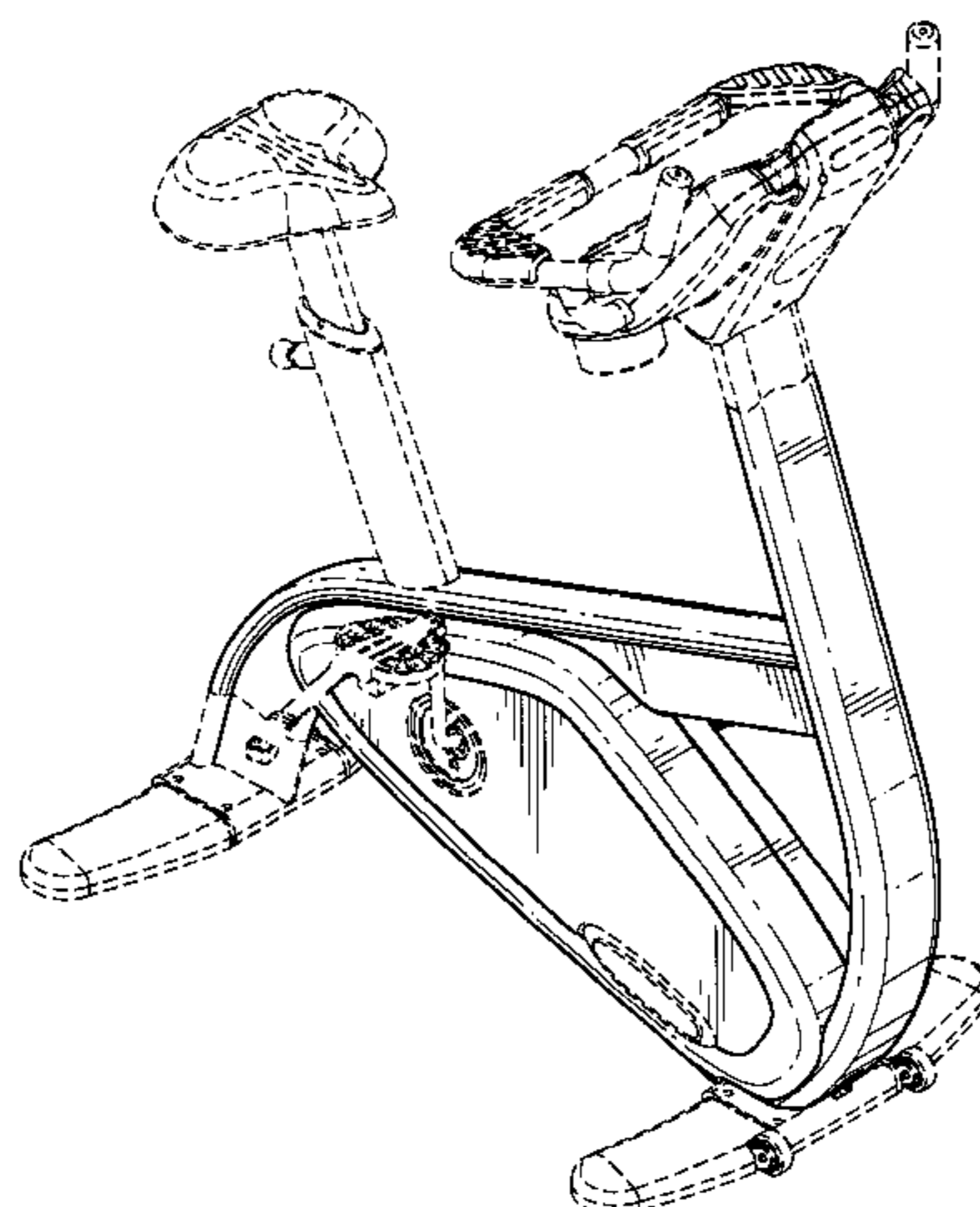
(57) **CLAIM**

The ornamental design of an upright exercise bike, as shown and described.

DESCRIPTION

FIG. 1 is a perspective view of the front of the upright exercise bike.
FIG. 2 is a perspective view of the rear of the bike.
FIG. 3 is a rear view of the bike.
FIG. 4 is a front view of the bike.
FIG. 5 is a top view of the bike; and,
FIG. 6 is a right side view of the bike, with the left side view being a mirror image thereof.
The broken line portions of the bike are for illustrative purposes only and form no part of the claimed design.

1 Claim, 5 Drawing Sheets



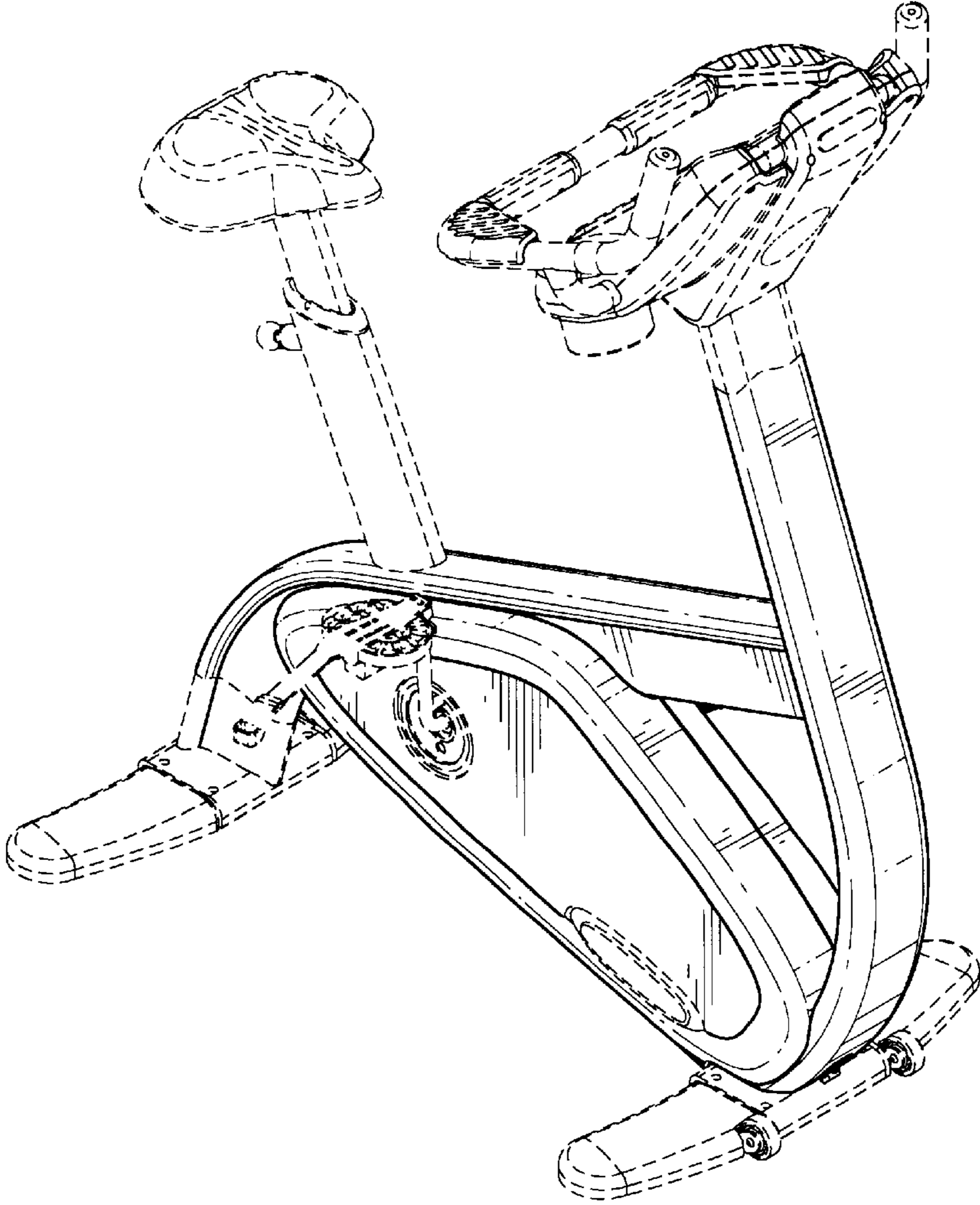


FIG. 1

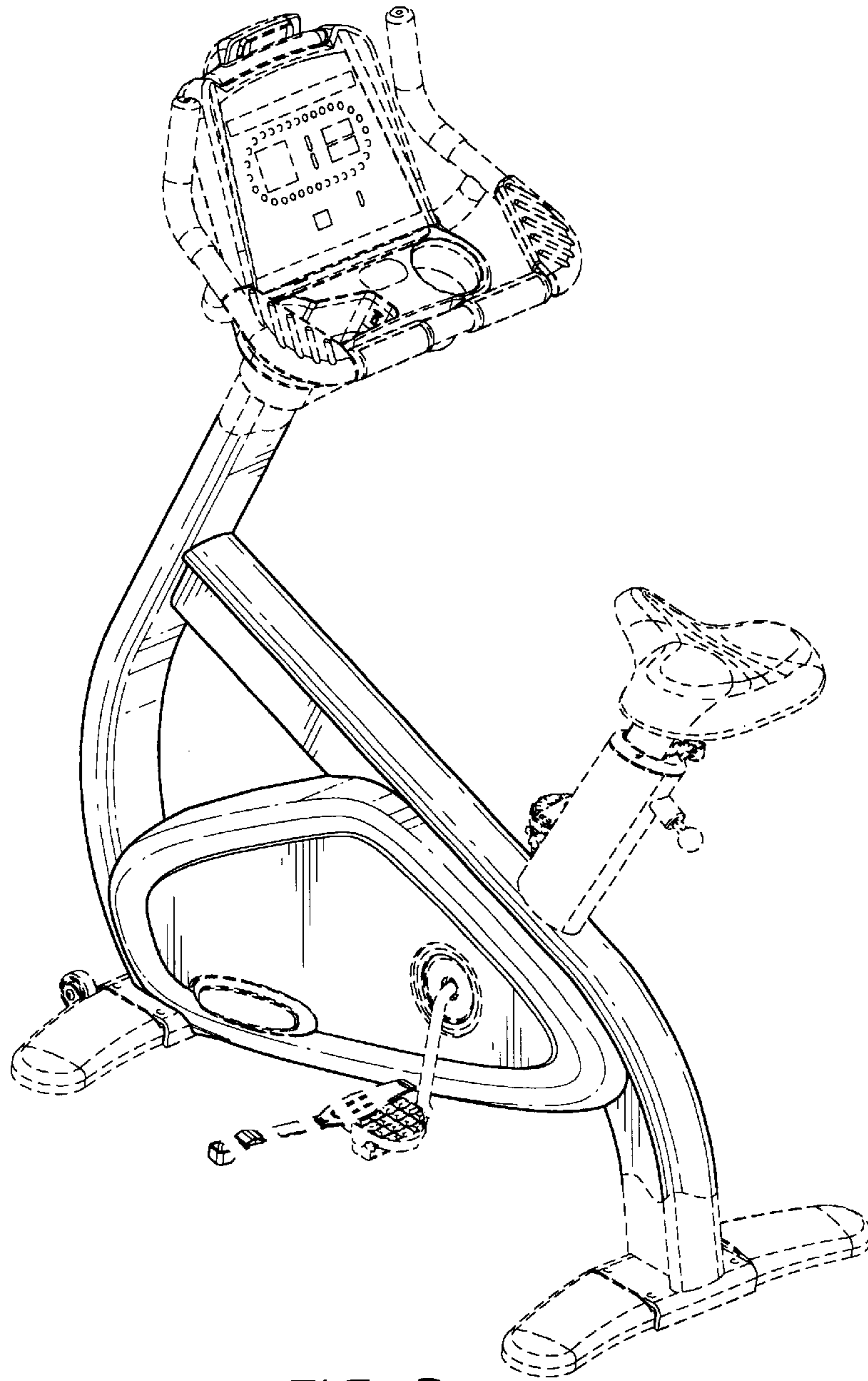


FIG. 2

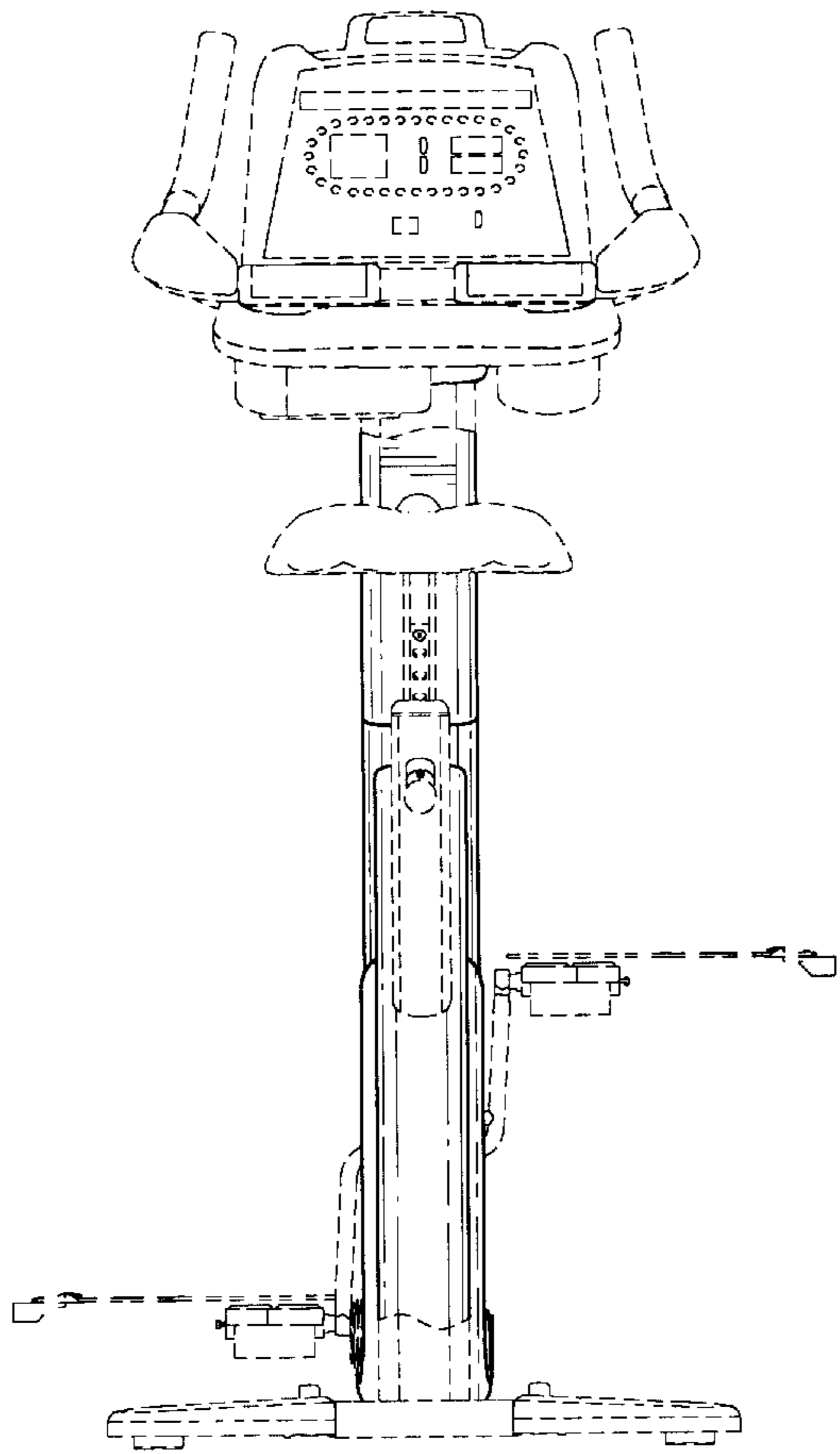


FIG. 3

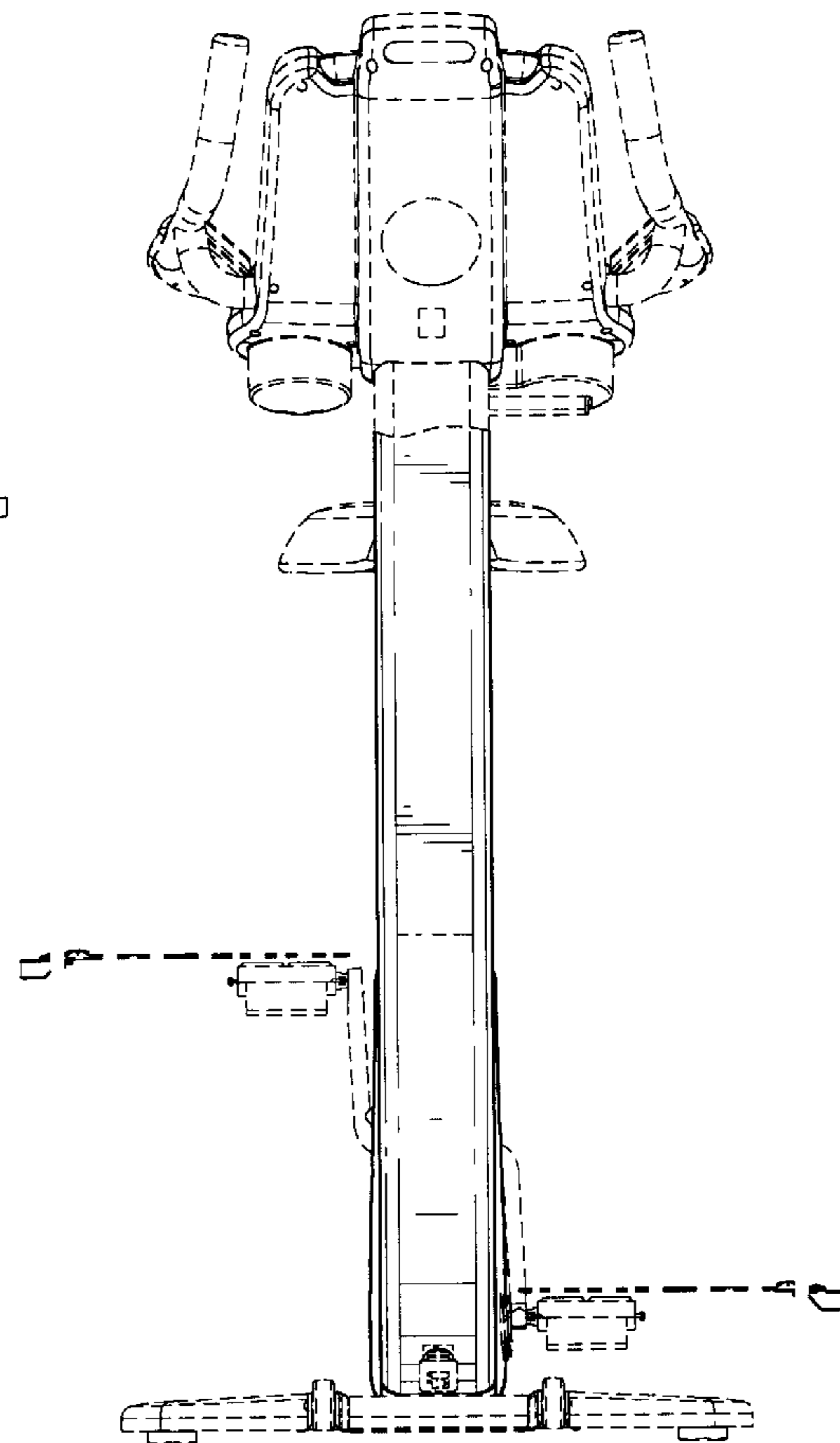


FIG. 4

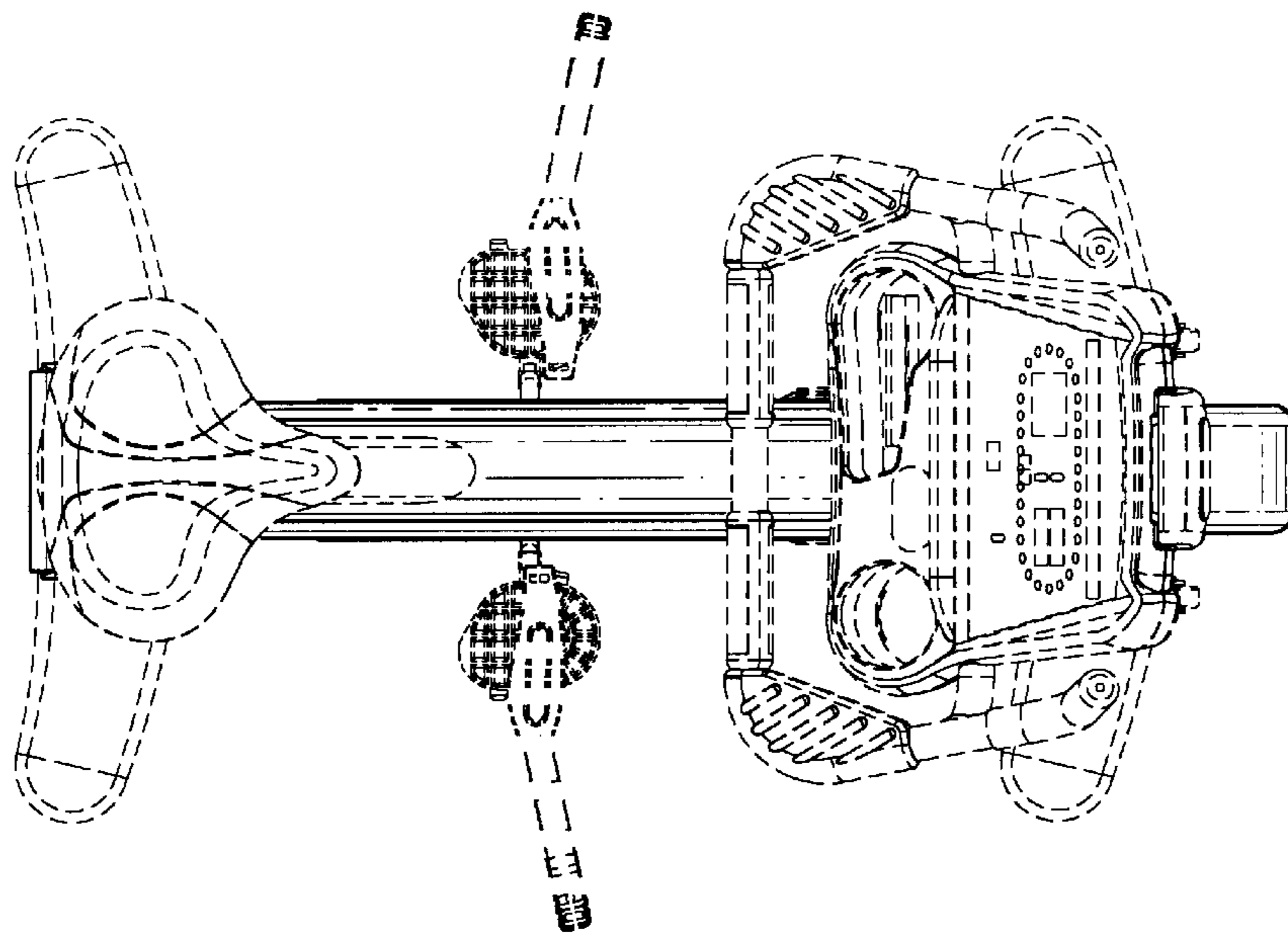


FIG. 5

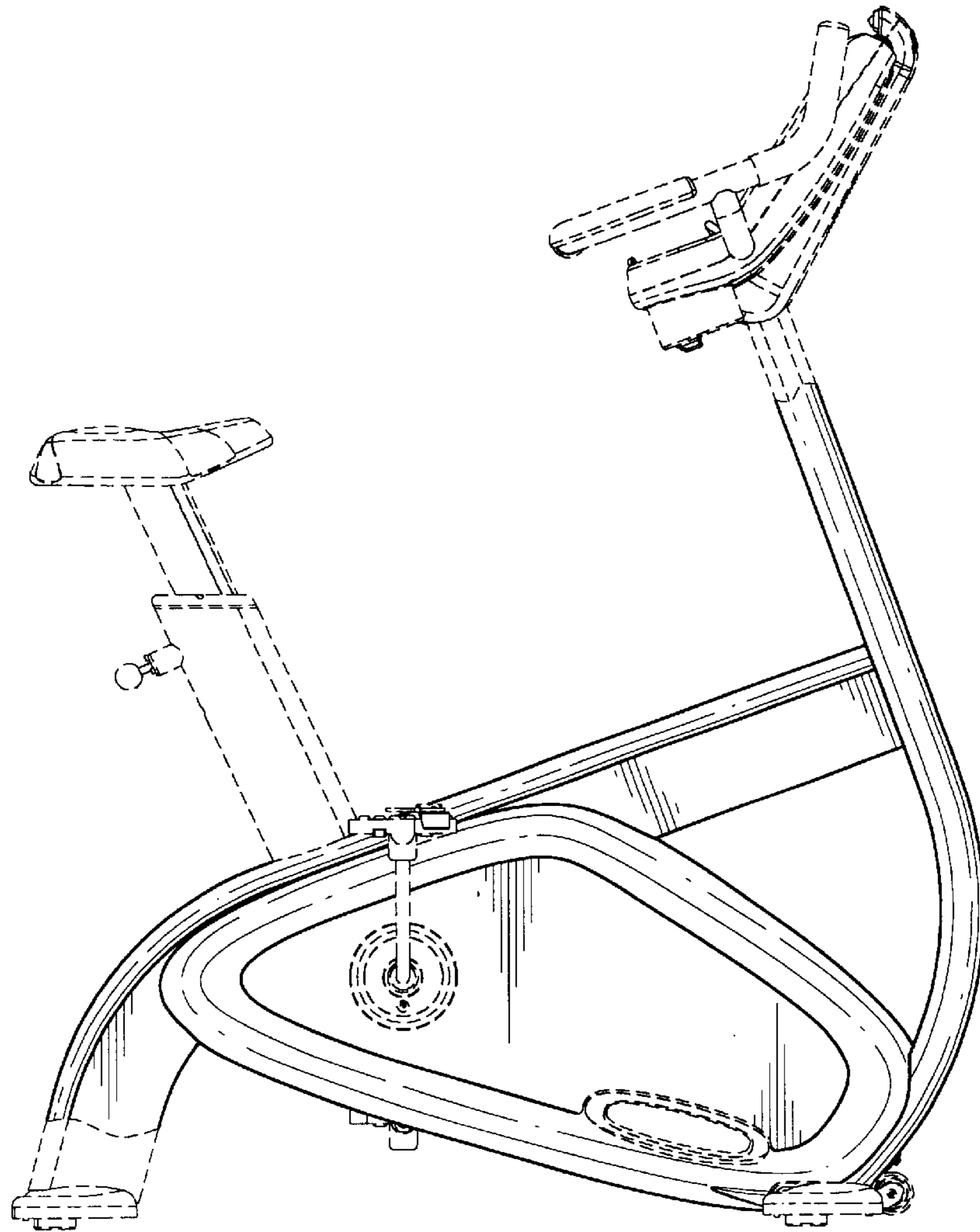


FIG. 6