



US00D534221S

(12) **United States Design Patent**
Hill et al.

(10) **Patent No.:** **US D534,221 S**

(45) **Date of Patent:** **** Dec. 26, 2006**

(54) **TOY VEHICLE**

D498,178 S * 11/2004 Nielander D12/92
D500,263 S * 12/2004 Donckerwolke D12/92

(75) Inventors: **Jason Hill**, Long Beach, CA (US); **Jun Imai**, Torrance, CA (US)

OTHER PUBLICATIONS

Tower Hobbies cat. dated 2003 p. 3.*

(73) Assignee: **Mattel, Inc.**, El Segundo, CA (US)

* cited by examiner

(**) Term: **14 Years**

Primary Examiner—Raphael Barkai

Assistant Examiner—Randall H. Gholson

(21) Appl. No.: **29/215,862**

(74) *Attorney, Agent, or Firm*—Alleman Hall McCoy

(22) Filed: **Oct. 25, 2004**

Russell & Tuttle LLP

(51) **LOC (8) Cl.** **21-01**

(57) **CLAIM**

(52) **U.S. Cl.** **D21/433**

I claim the ornamental design for a toy vehicle, as shown and described.

(58) **Field of Classification Search** D21/433–434,
D21/533, 548–550, 552, 556, 559, 584; D12/93,
D12/96–98, 87–88; 446/93, 95, 441, 444,
446/469–471, 448–451, 454–457

DESCRIPTION

See application file for complete search history.

FIG. 1 is a side view of a toy vehicle according to an embodiment of the present disclosure. The opposing side of the toy vehicle is a mirror image of FIG. 1.

(56) **References Cited**

U.S. PATENT DOCUMENTS

- 3,541,725 A * 11/1970 Miura 446/464
- D233,512 S * 11/1974 Love D12/91
- D243,595 S * 3/1977 Belz D12/92
- D365,782 S * 1/1996 Reynard et al. D12/88
- D418,088 S * 12/1999 Fioravanti D12/92
- D424,633 S * 5/2000 Hollis et al. D21/548
- D439,551 S * 3/2001 Hatt et al. D12/92
- D469,387 S * 1/2003 Ramaciotti D12/92
- D478,843 S * 8/2003 Pardo D12/92
- D496,914 S * 10/2004 Miali D13/168

FIG. 2 is a top view of the vehicle of FIG. 1.

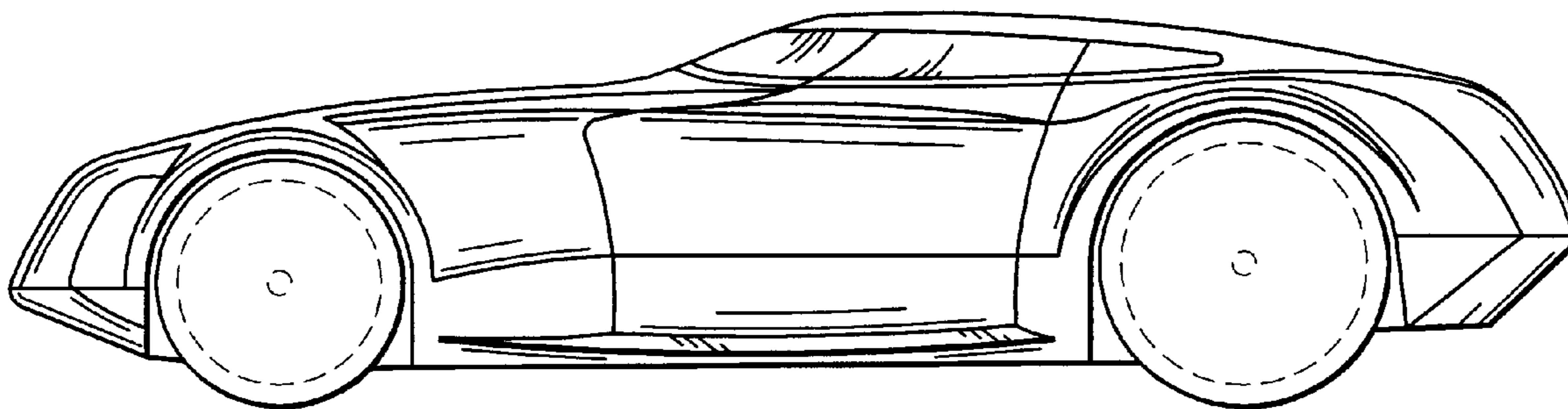
FIG. 3 is a front view of the vehicle of FIG. 1; and,

FIG. 4 is a rear view of the vehicle of FIG. 1.

The broken or dashed lines shown in the drawings are for illustrative purposes only and form no part of the claimed design.

The shading lines shown in the drawings represent the approximate three-dimensional contour of the design, and are not intended to indicate surface decoration.

1 Claim, 2 Drawing Sheets



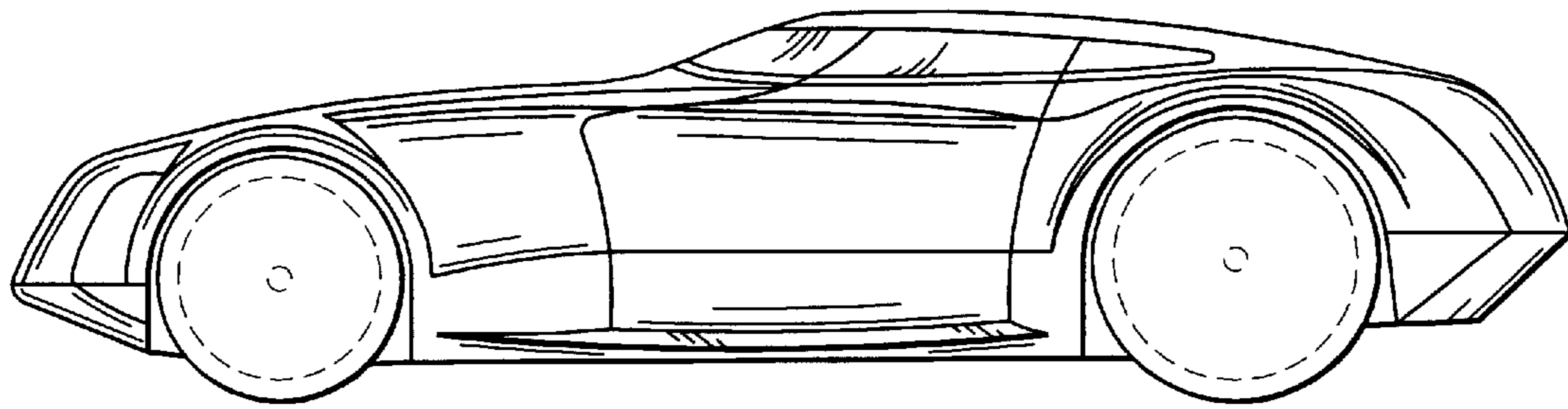


FIG. 1

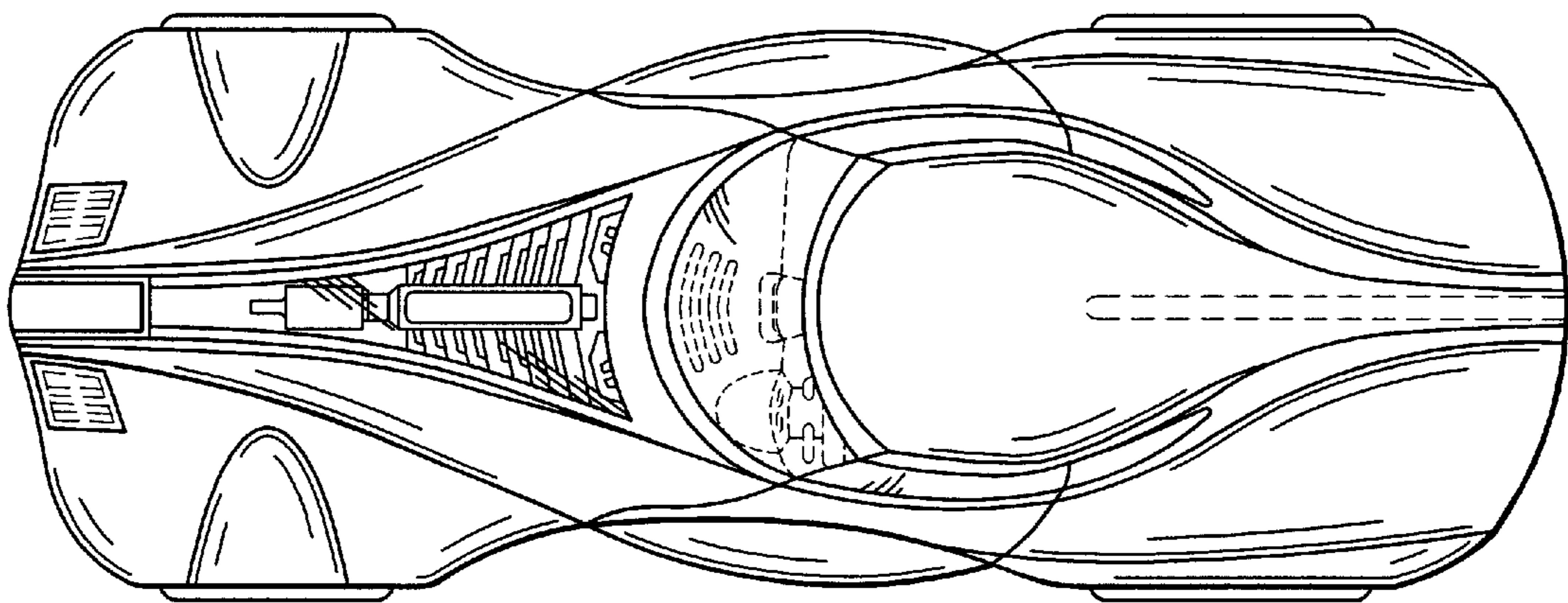


FIG. 2

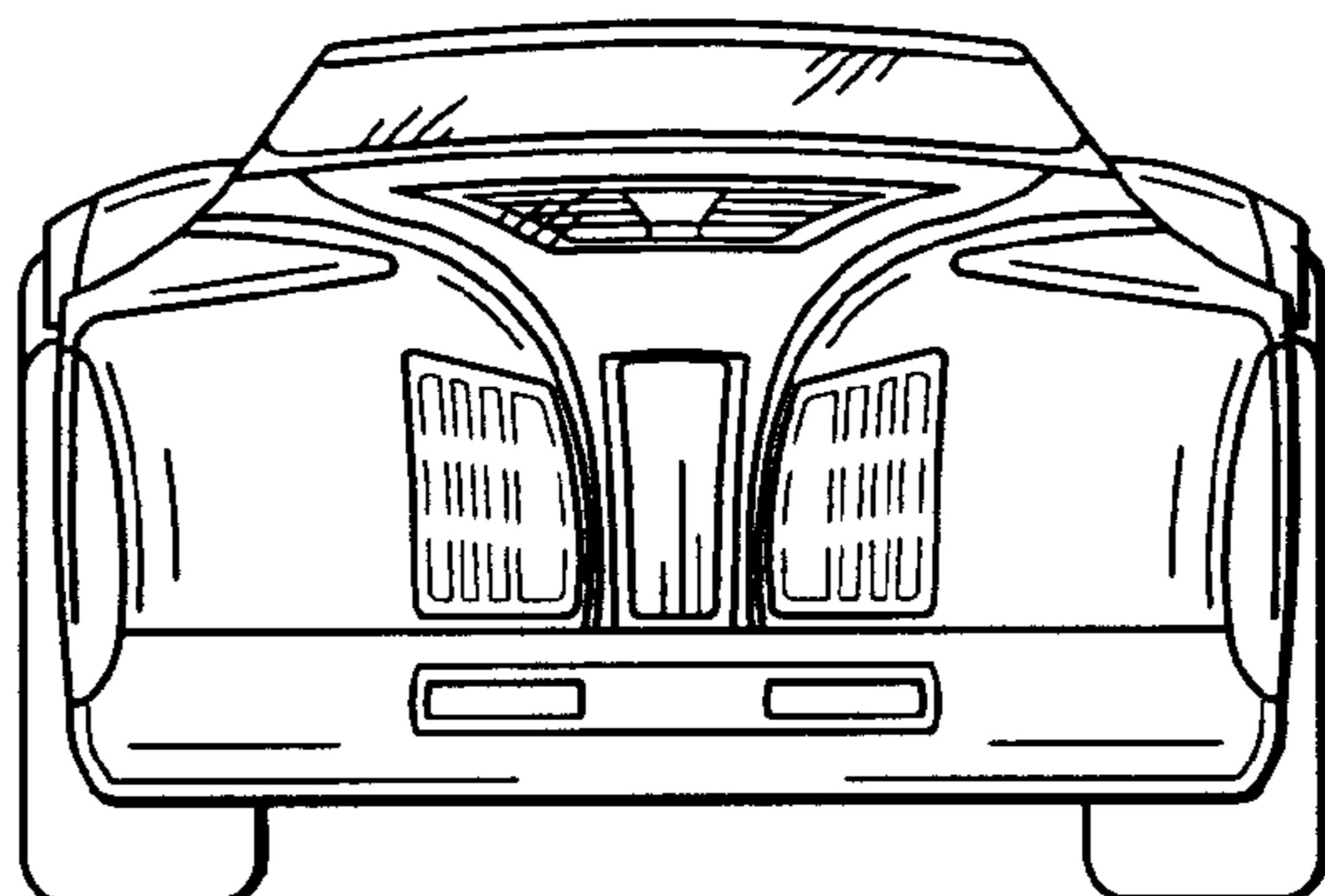


FIG. 3

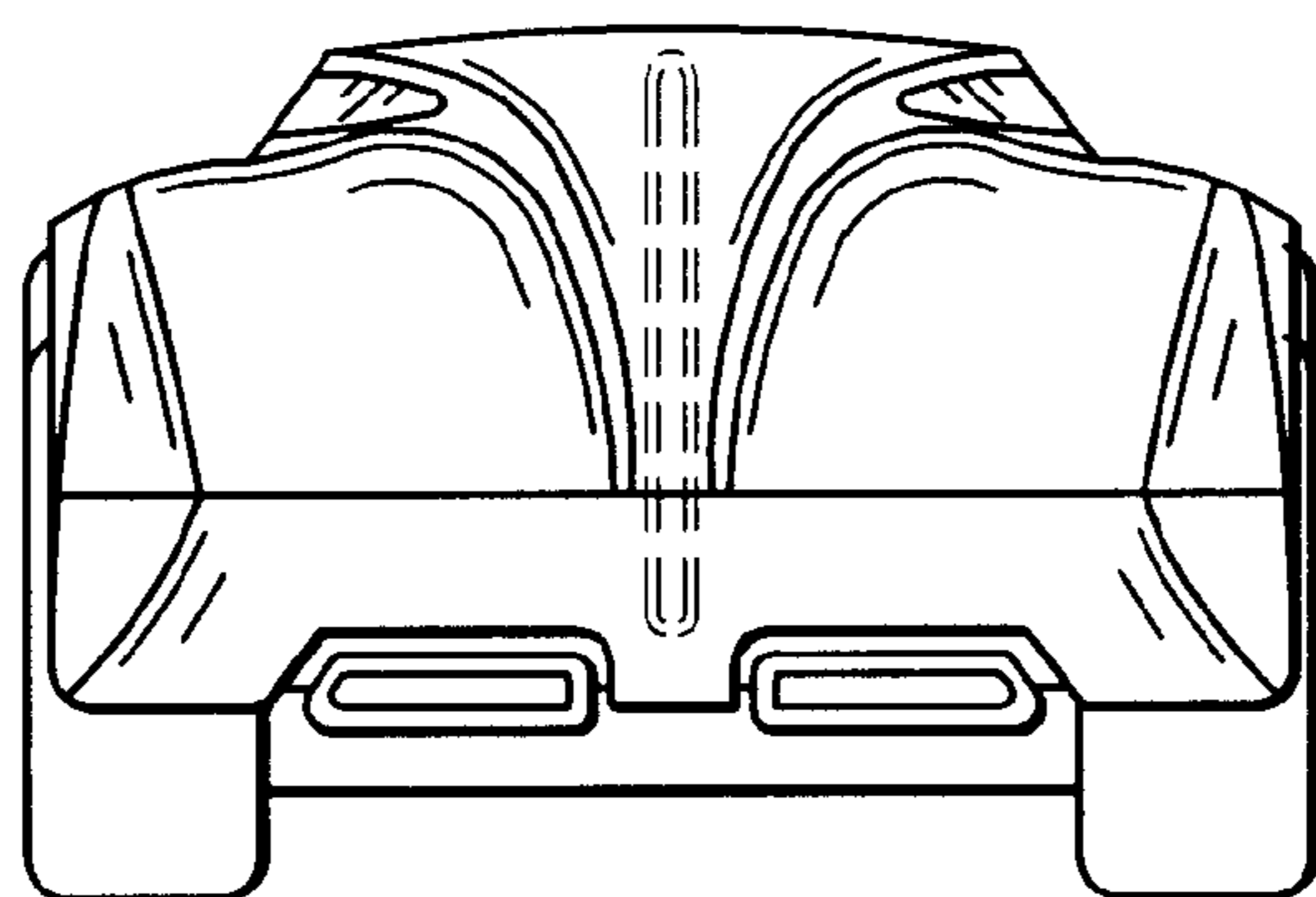


FIG. 4