



US00D534220S

(12) **United States Design Patent**
Beal et al.

(10) **Patent No.:** **US D534,220 S**

(45) **Date of Patent:** **** Dec. 26, 2006**

(54) **FLOATING RING GAME**

(75) Inventors: **Daniel C. Beal**, Holland Patent, NY (US); **John C. Waszkiewicz, III**, New Hartford, NY (US); **Lawrence P. Ulrich**, Whitesboro, NY (US); **Geoffrey J. Thorp**, Remsen, NY (US); **Michael L. Beal**, Ilion, NY (US)

(73) Assignee: **Faster-Form Corporation**, New Hartford, NY (US)

(**) Term: **14 Years**

(21) Appl. No.: **29/204,258**

(22) Filed: **Apr. 27, 2004**

(51) **LOC (8) Cl.** **21-01**

(52) **U.S. Cl.** **D21/311**

(58) **Field of Classification Search** D21/300, D21/311, 310; 273/457, 458, 118 R, 120 R, 273/127 R, 153 R, 459; 446/153, 159, 267
See application file for complete search history.

(56) **References Cited**

U.S. PATENT DOCUMENTS

459,868 A * 9/1891 Law 273/153 R
2,191,150 A * 2/1940 Abell 273/138.5
3,716,233 A * 2/1973 Kotwas et al. 273/440
4,177,986 A * 12/1979 Campbell 273/447

D269,359 S * 6/1983 Itakura et al. D21/311
D341,856 S * 11/1993 Silverman D21/311
D344,549 S * 2/1994 Nakazawa D21/311
5,282,636 A * 2/1994 Wyman et al. 273/457
5,351,956 A * 10/1994 Kershner 273/153 R
D400,933 S 11/1998 Yeaworth
D409,250 S 5/1999 Yeaworth
D434,810 S * 12/2000 Yeaworth D21/311

* cited by examiner

Primary Examiner—Prabhakar Deshmukh

(74) *Attorney, Agent, or Firm*—Peter J. Bilinski

(57) **CLAIM**

The ornamental design for a floating ring game, as shown and described.

DESCRIPTION

FIG. 1 is a perspective view of a floating ring game showing our new Design;

FIG. 2 is a front elevational view thereof; the back elevational view being a mirror image thereof;

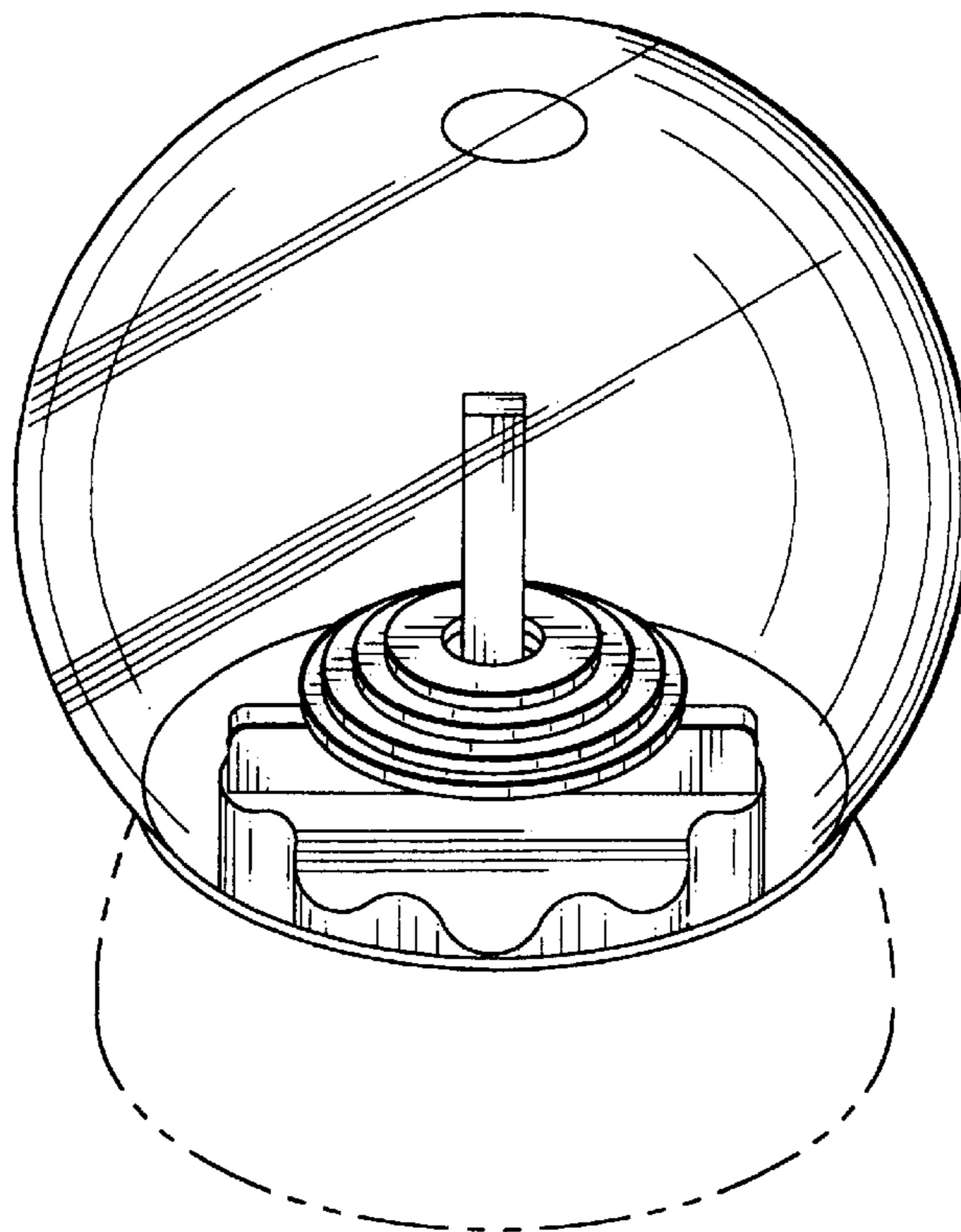
FIG. 3 is a right side elevational view thereof; the left side elevational view being a mirror image thereof;

FIG. 4 is a top plan view thereof; and,

FIG. 5 is a bottom plan view thereof.

The broken line showing of the base is for illustrative purposes only and does form part of the claimed design.

1 Claim, 2 Drawing Sheets



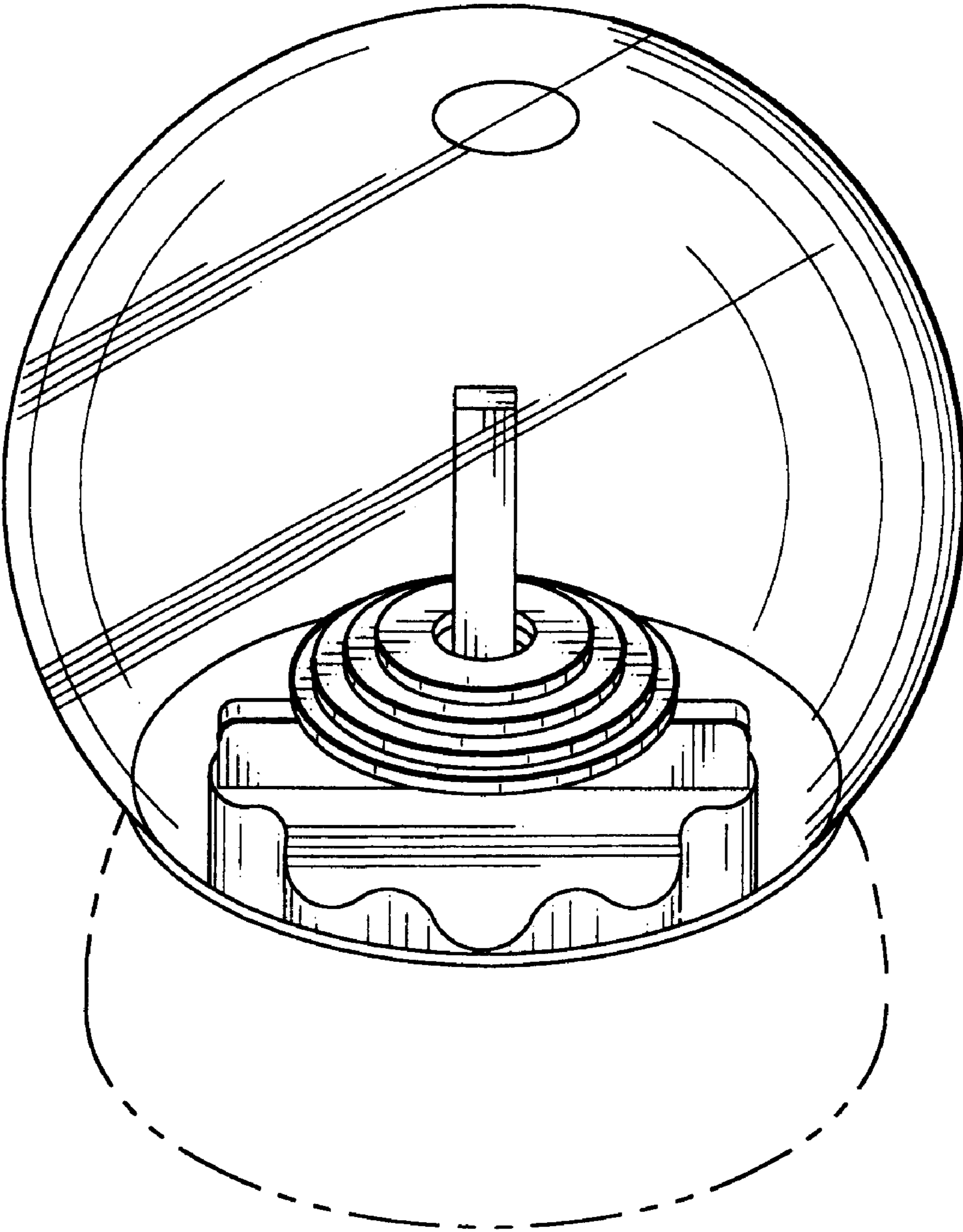


FIG.1

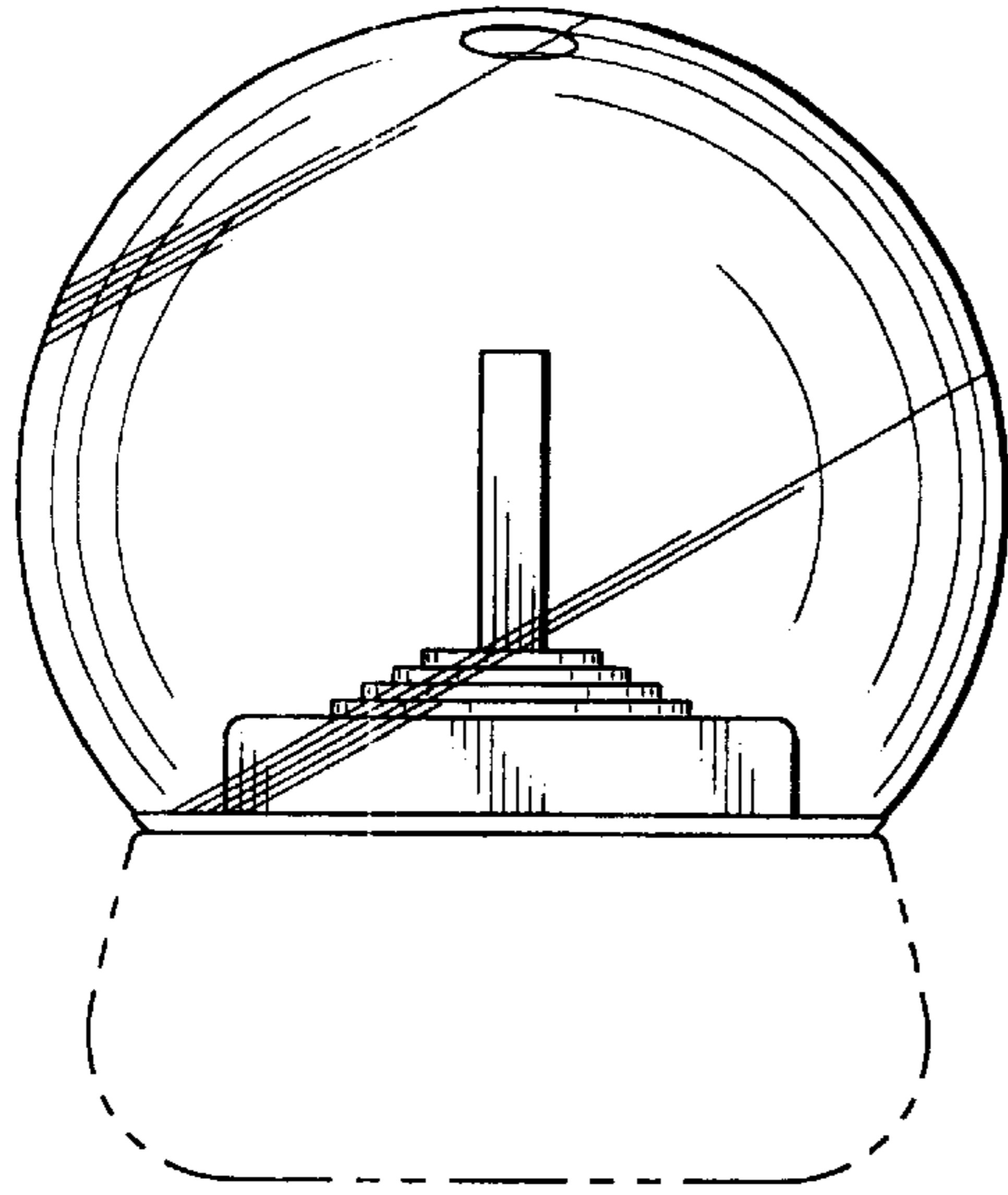


FIG. 2

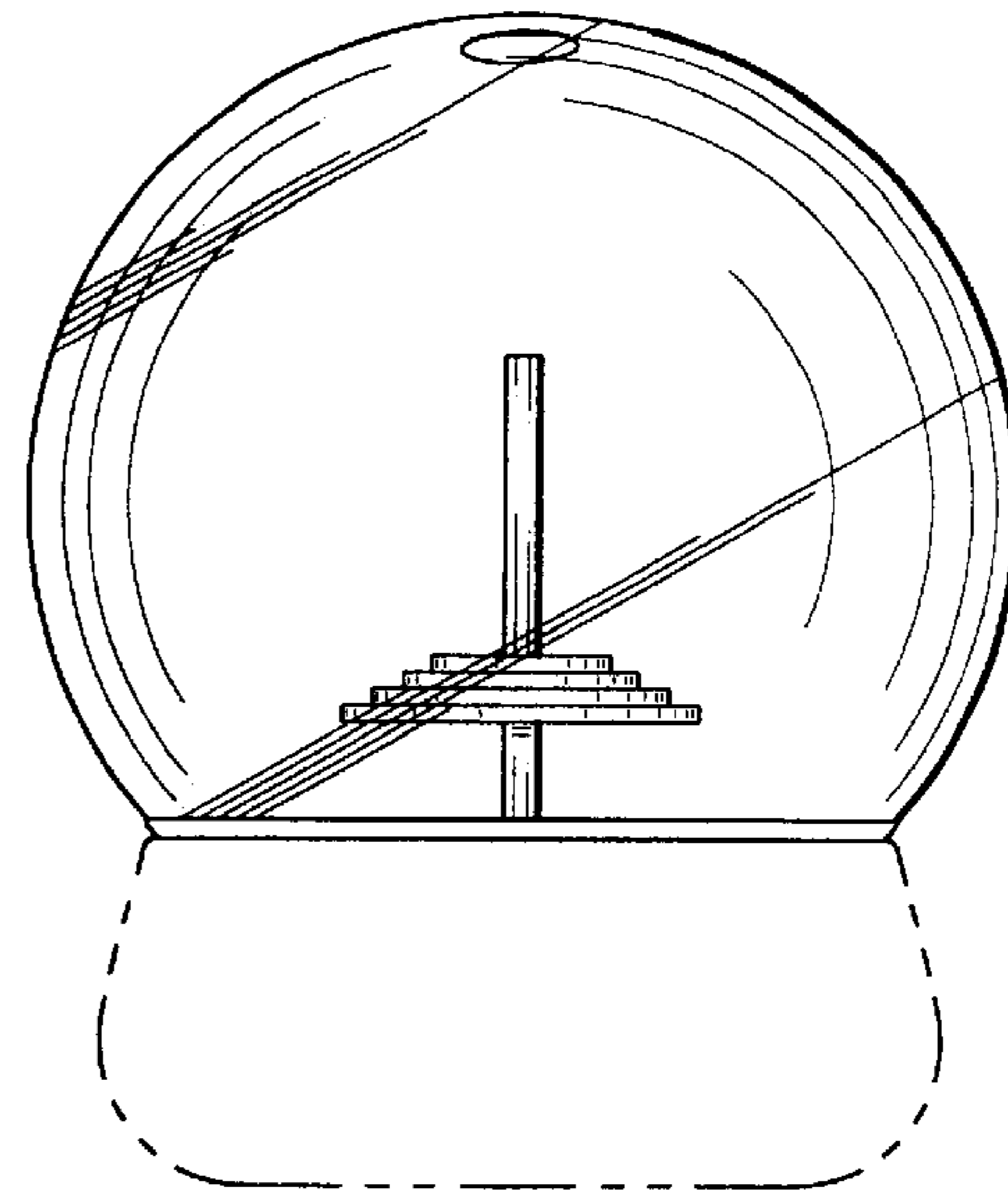


FIG. 3

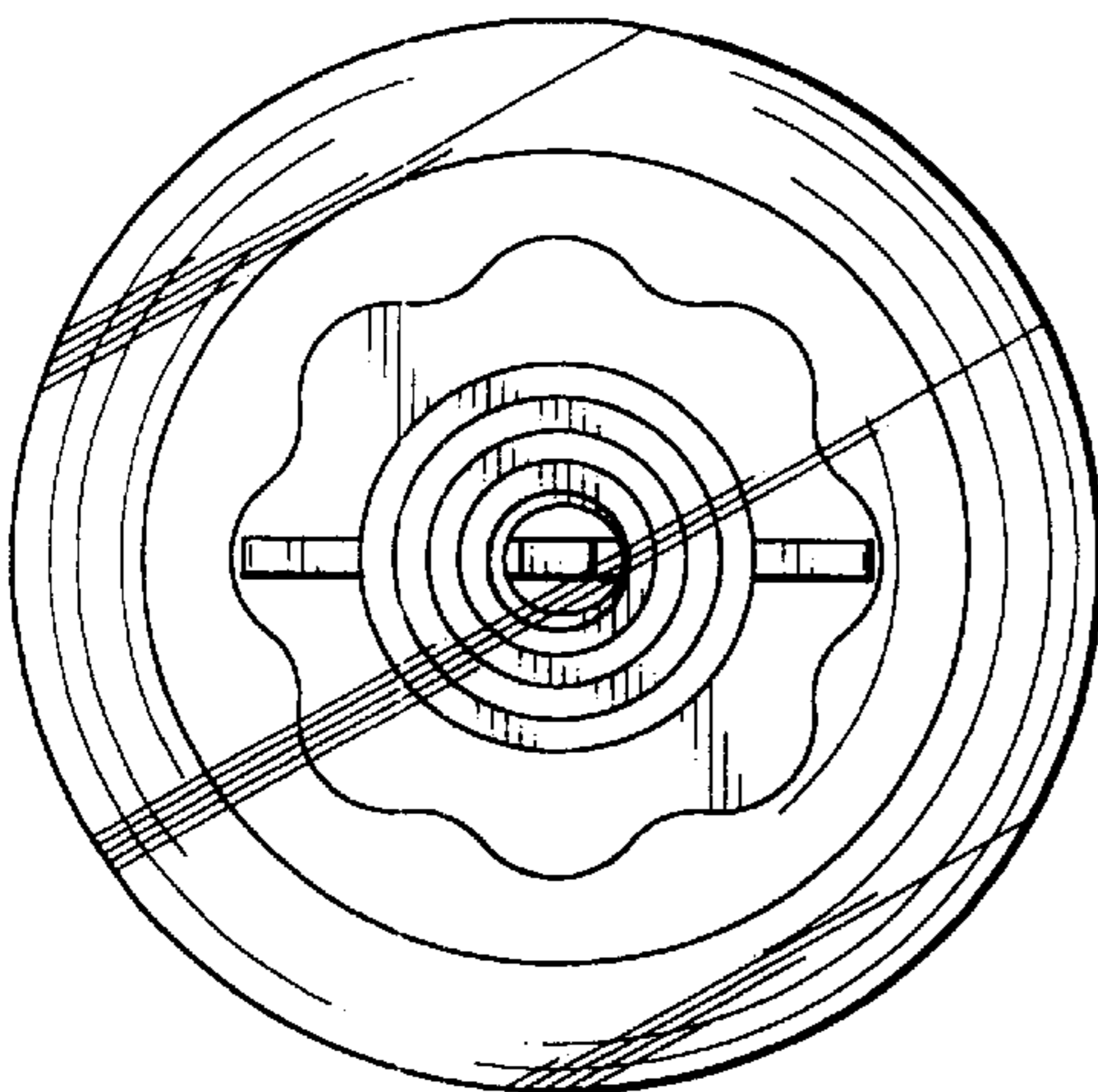


FIG. 4

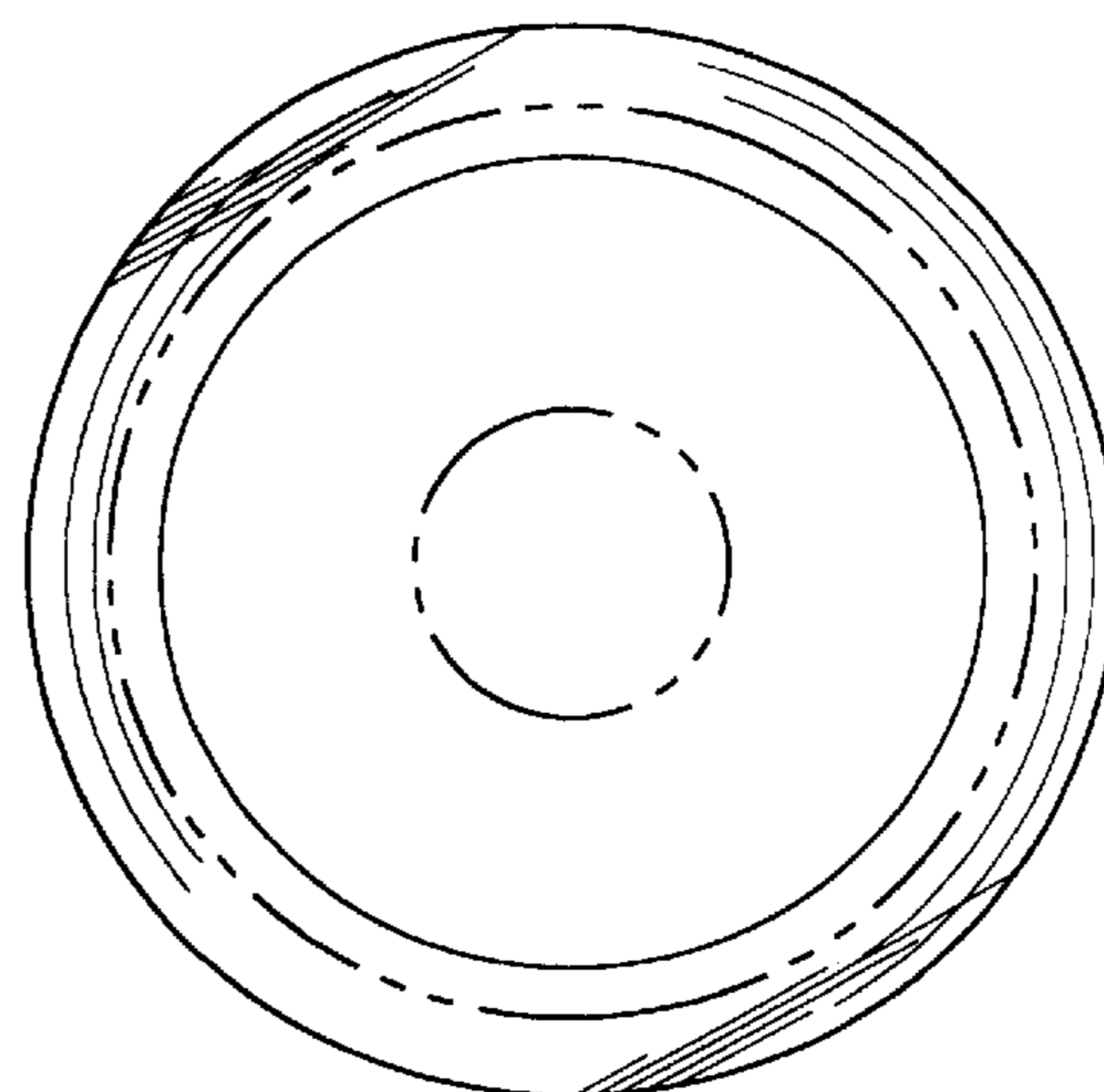


FIG. 5