



US00D534219S

(12) **United States Design Patent**
Seljeseth et al.

(10) **Patent No.:** **US D534,219 S**

(45) **Date of Patent:** **** Dec. 26, 2006**

(54) **SIGN HOLDER**

(76) Inventors: **Anne Seljeseth**, Belsfjordveien 109,
Narvik (NO), N-8514; **Tony Seljeseth**,
Belsfjordveien 109, Narvik (NO),
N-8514

(**) Term: **14 Years**

4,106,229 A	8/1978	Schmid	
4,715,138 A	12/1987	Cherico	
D388,468 S	* 12/1997	Rife D20/43
D393,490 S	* 4/1998	Burch D20/43
D437,354 S	* 2/2001	Andujar D19/90
6,776,290 B1	* 8/2004	Augustine 206/758
6,785,993 B1	* 9/2004	Lea 40/643
D509,544 S	* 9/2005	Nickels D20/99

FOREIGN PATENT DOCUMENTS

(21) Appl. No.: **29/230,666**

(22) Filed: **May 25, 2005**

(51) **LOC (8) Cl.** **20-02**

(52) **U.S. Cl.** **D20/42**

(58) **Field of Classification Search** D20/10,
D20/11, 40, 42, 43, 99; D6/573; D19/90,
D19/91; 40/591, 642.01, 642.02, 643, 649,
40/661, 771, 904; 206/308.1, 308.3, 449;
220/476; 248/489

See application file for complete search history.

CH	683492	3/1994
NO	318362	8/2004

* cited by examiner

Primary Examiner—Robert M. Spear
(74) *Attorney, Agent, or Firm*—Christian D. Abel

(57) **CLAIM**

The ornamental design for a sign holder, as shown.

DESCRIPTION

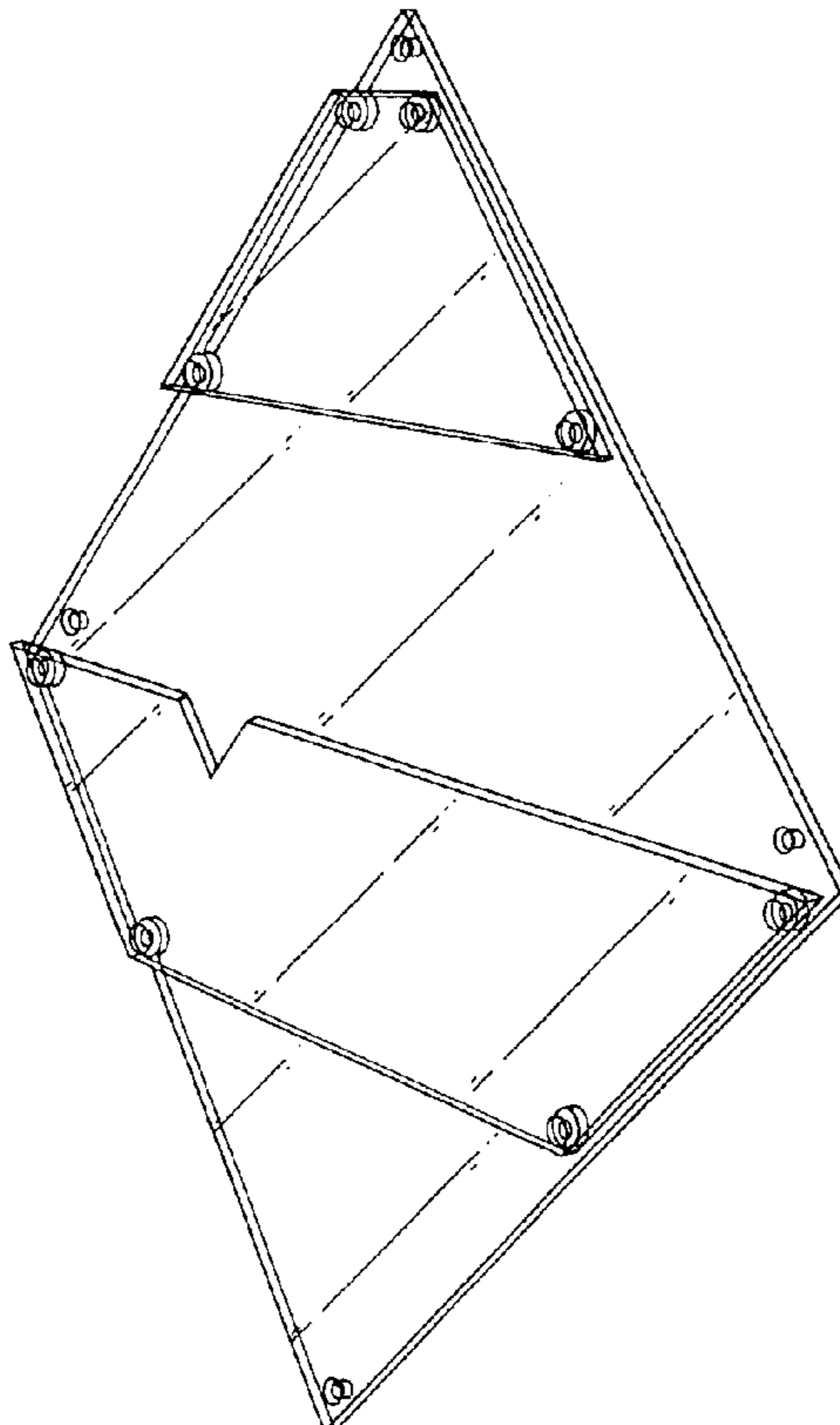
FIG. 1 is a front view of the design
FIG. 2 is a right view of the design
FIG. 3 is a left view of the design
FIG. 4 is a top view of the design
FIG. 5 is a bottom view the design
FIG. 6 is a rear view of the design; and,
FIG. 7 is a perspective view of the design.

(56) **References Cited**

U.S. PATENT DOCUMENTS

864,254 A	8/1907	Perkins	
1,110,906 A	* 9/1914	Deal 281/45
D74,031 S	* 12/1927	Stanton D20/43
D80,438 S	* 2/1930	Fordyce D6/573
D141,242 S	* 5/1945	Meeks D19/26
D172,363 S	* 6/1954	Rosenbaum D6/314
4,094,083 A	* 6/1978	Fund 40/536

1 Claim, 7 Drawing Sheets



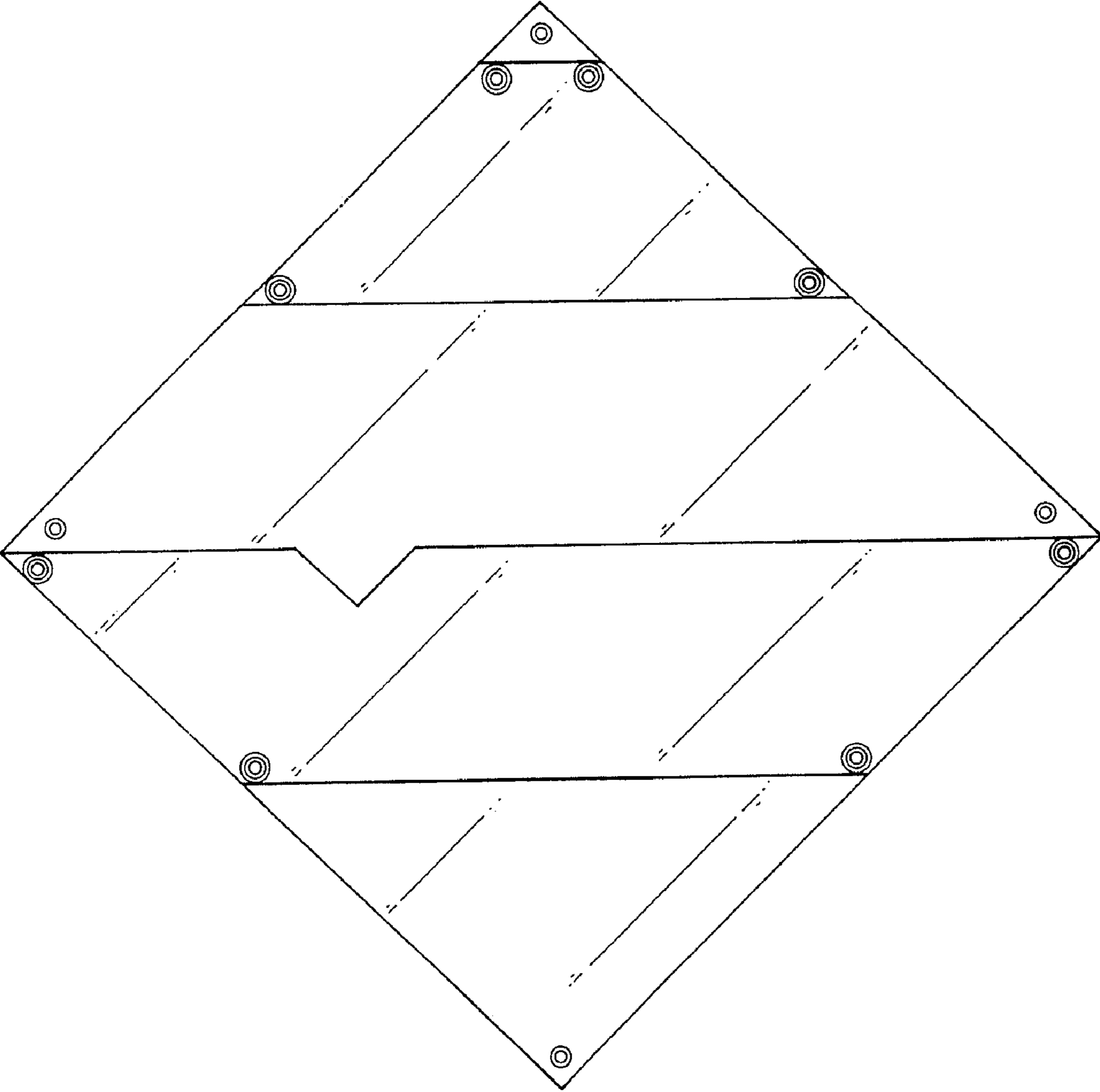


Fig.1.



Fig.2.

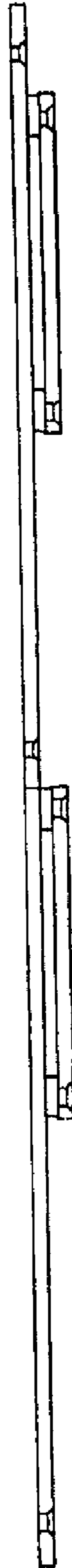


Fig.3.

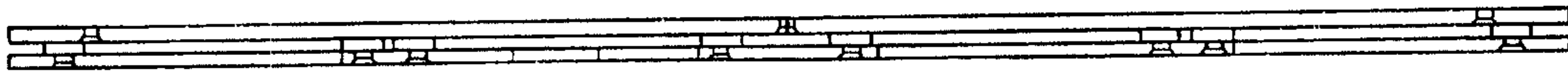


Fig.4.

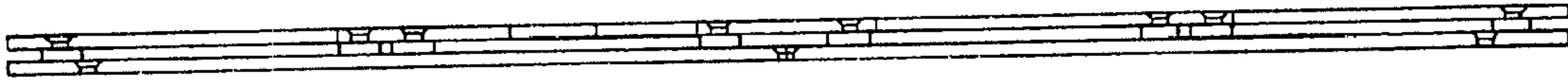


Fig.5.

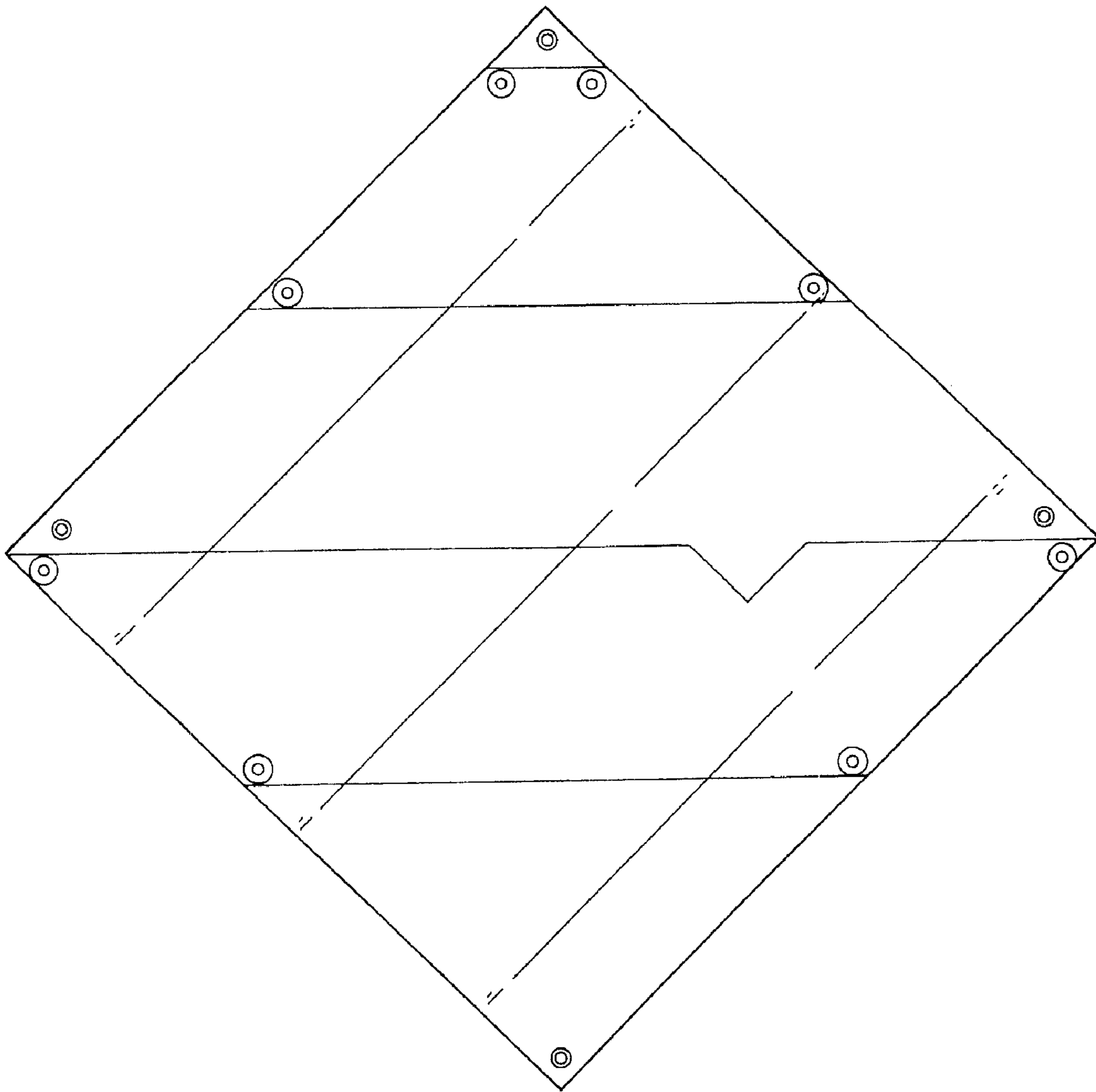


Fig.6.

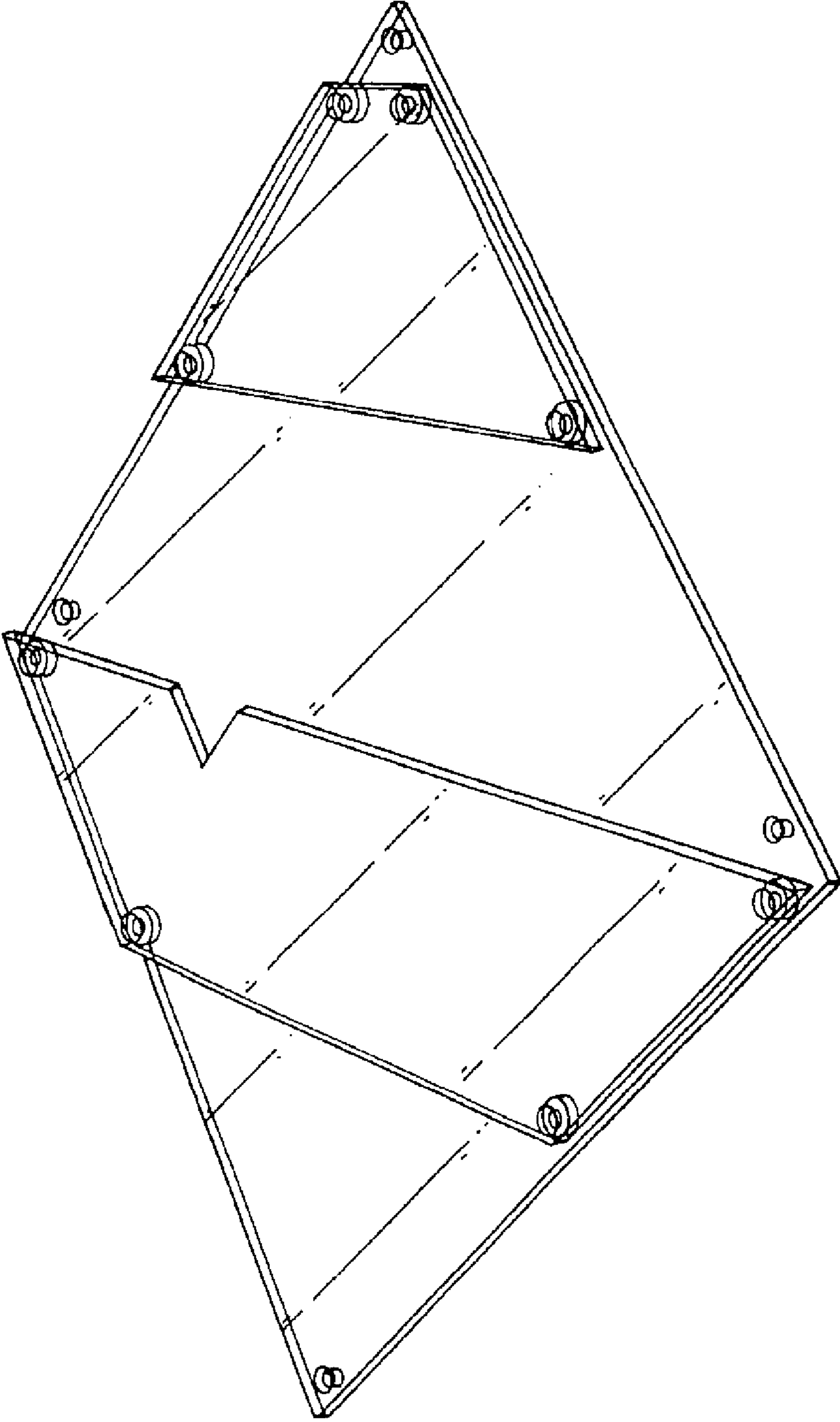


Fig.7.