



US00D534217S

(12) **United States Design Patent**
Yoshizaki et al.

(10) **Patent No.:** **US D534,217 S**

(45) **Date of Patent:** **** Dec. 26, 2006**

(54) **ARTICLE STOCKER**

(75) Inventors: **Wataru Yoshizaki**, Tokyo (JP); **Tohru Takada**, Tokyo (JP)

(73) Assignee: **Sega Corporation**, Tokyo (JP)

(**) Term: **14 Years**

(21) Appl. No.: **29/220,283**

(22) Filed: **Dec. 29, 2004**

(30) **Foreign Application Priority Data**

Dec. 22, 2004 (JP) 2004-039372

(51) **LOC (8) Cl.** **20-01**

(52) **U.S. Cl.** **D20/8**

(58) **Field of Classification Search** D20/1,
D20/2, 3, 4, 5, 6, 7, 8, 9, 99; D7/301, 304,
D7/305, 307, 308, 312, 313, 398; D23/284;
194/239, 320, 342, 350, 351, 352, 906; 221/92,
221/96, 104, 151, 155, 191, 194; 239/28,
239/29; 700/232

See application file for complete search history.

(56) **References Cited**

U.S. PATENT DOCUMENTS

D118,331 S * 12/1939 Manley D7/325

2,558,522 A * 6/1951 Knapp 222/2
3,437,238 A * 4/1969 Luba 221/129
5,791,449 A * 8/1998 Deaville et al. 194/348
D445,458 S * 7/2001 Tomioka D20/1
D483,072 S * 12/2003 Atsuta D20/4

* cited by examiner

Primary Examiner—Robert M. Spear

(74) *Attorney, Agent, or Firm*—Foley & Lardner LLP

(57) **CLAIM**

The ornamental design for an article stocker, as shown and described.

DESCRIPTION

FIG. 1 is a front view.
FIG. 2 is a back view.
FIG. 3 is a top view.
FIG. 4 is a bottom view.
FIG. 5 is a right side view.
FIG. 6 is a left side view.
FIG. 7 is a cross sectional view thereof, taken in the direction of line 7—7 in FIG. 3.
FIG. 8 is a perspective view; and,
FIG. 9 is a reference view showing the using state.
The broken lines in the drawings represent unclaimed environmental subject matter.

1 Claim, 8 Drawing Sheets

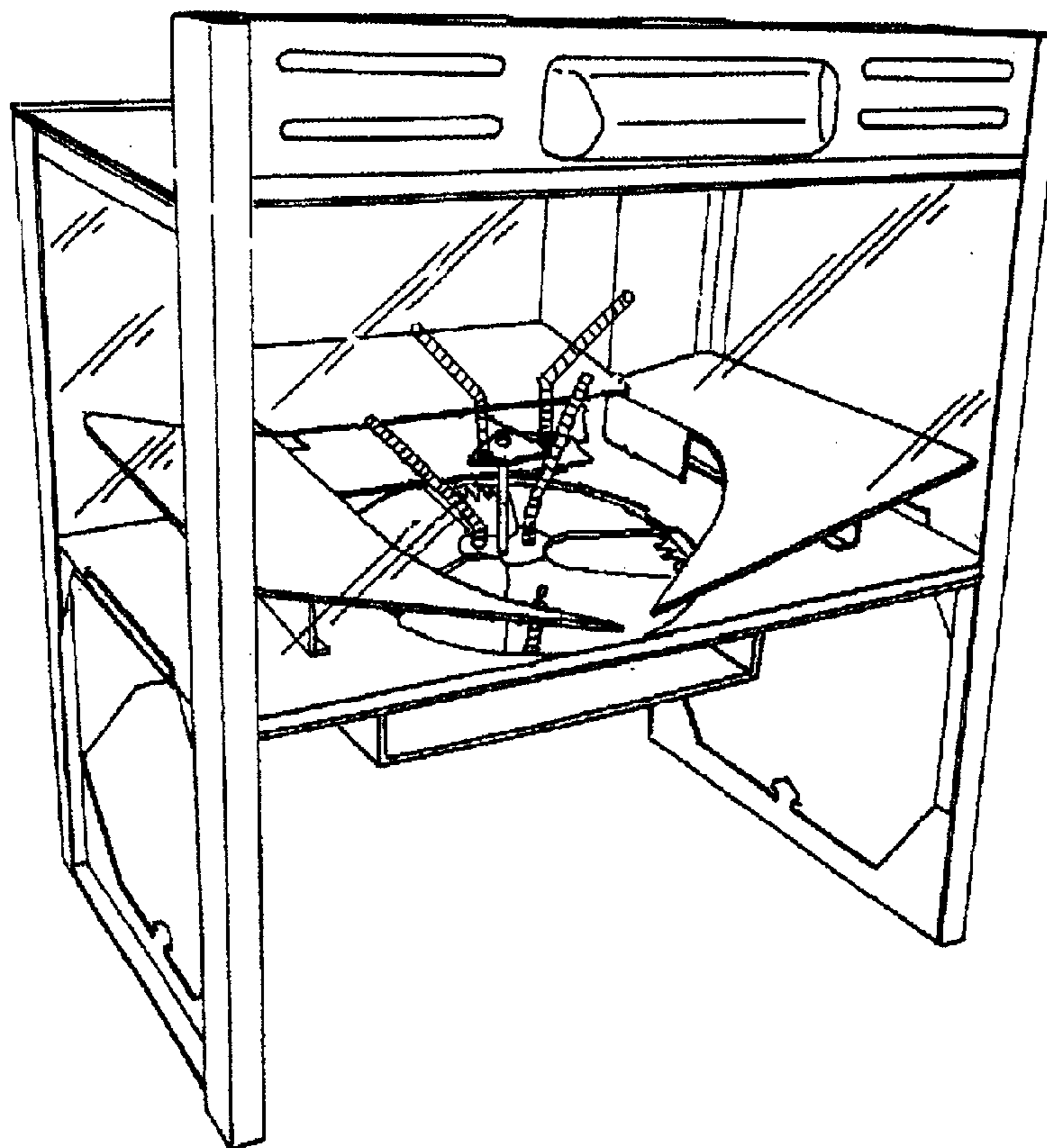


FIG. 1

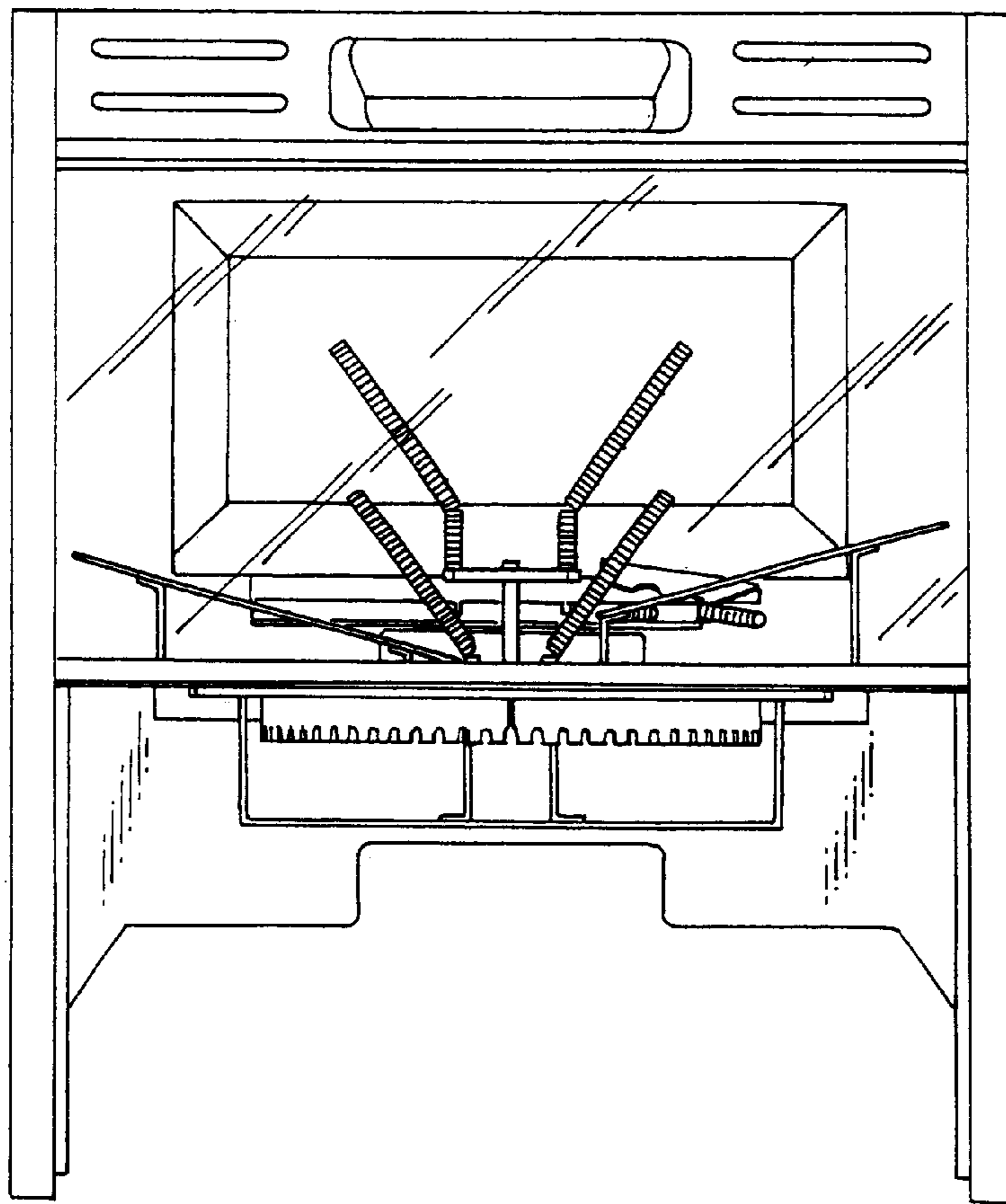


FIG. 2

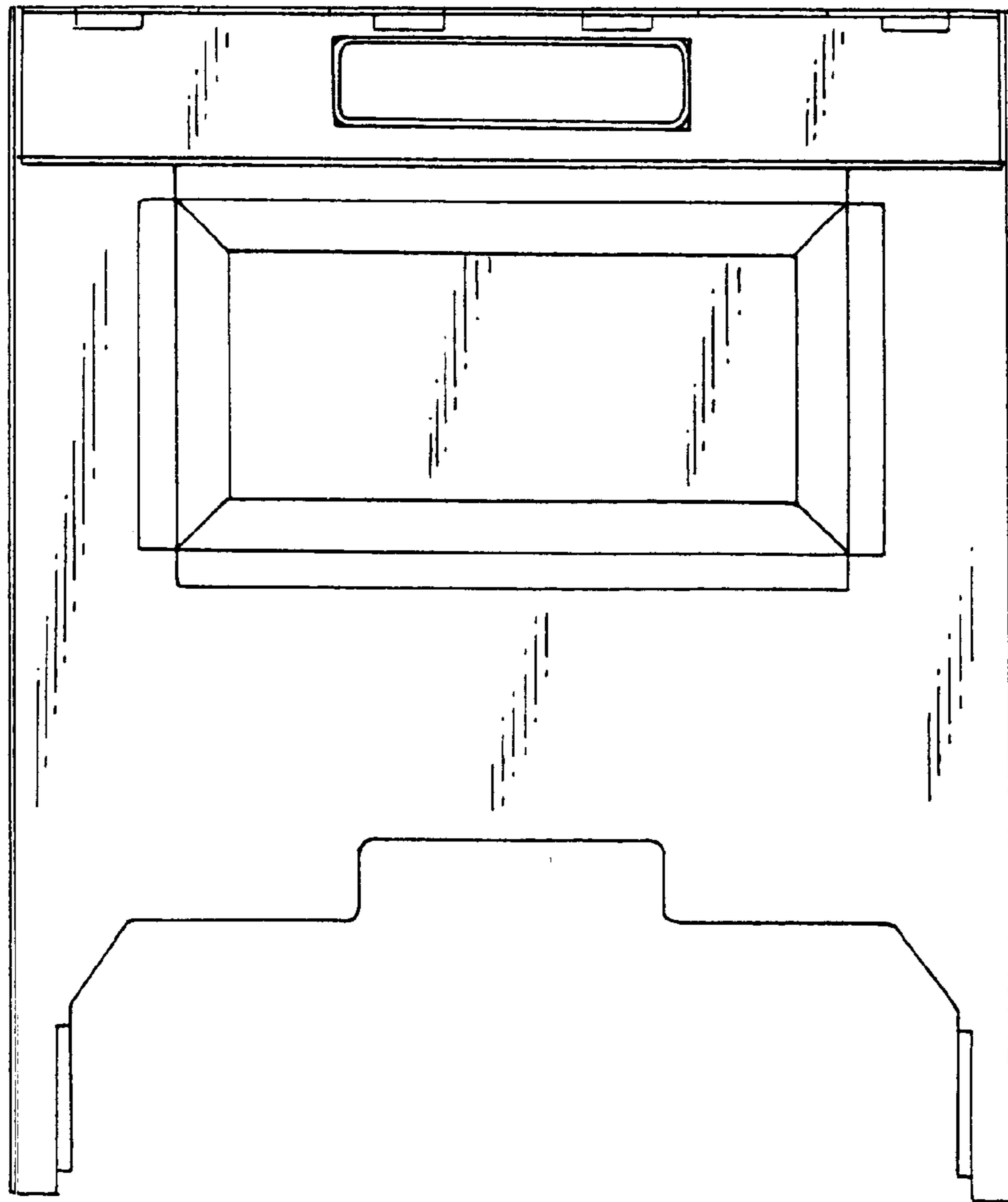


FIG. 3

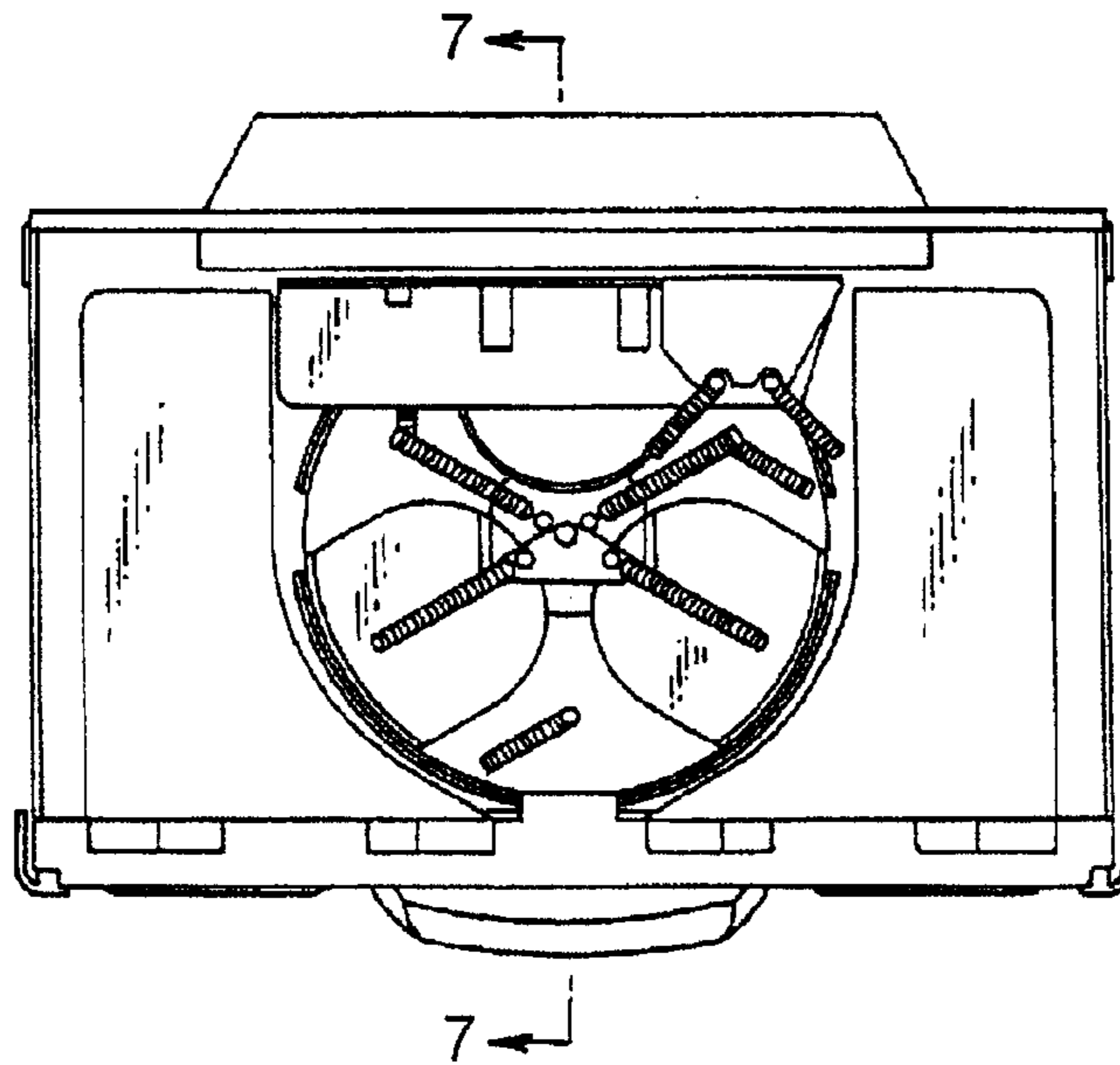


FIG. 4

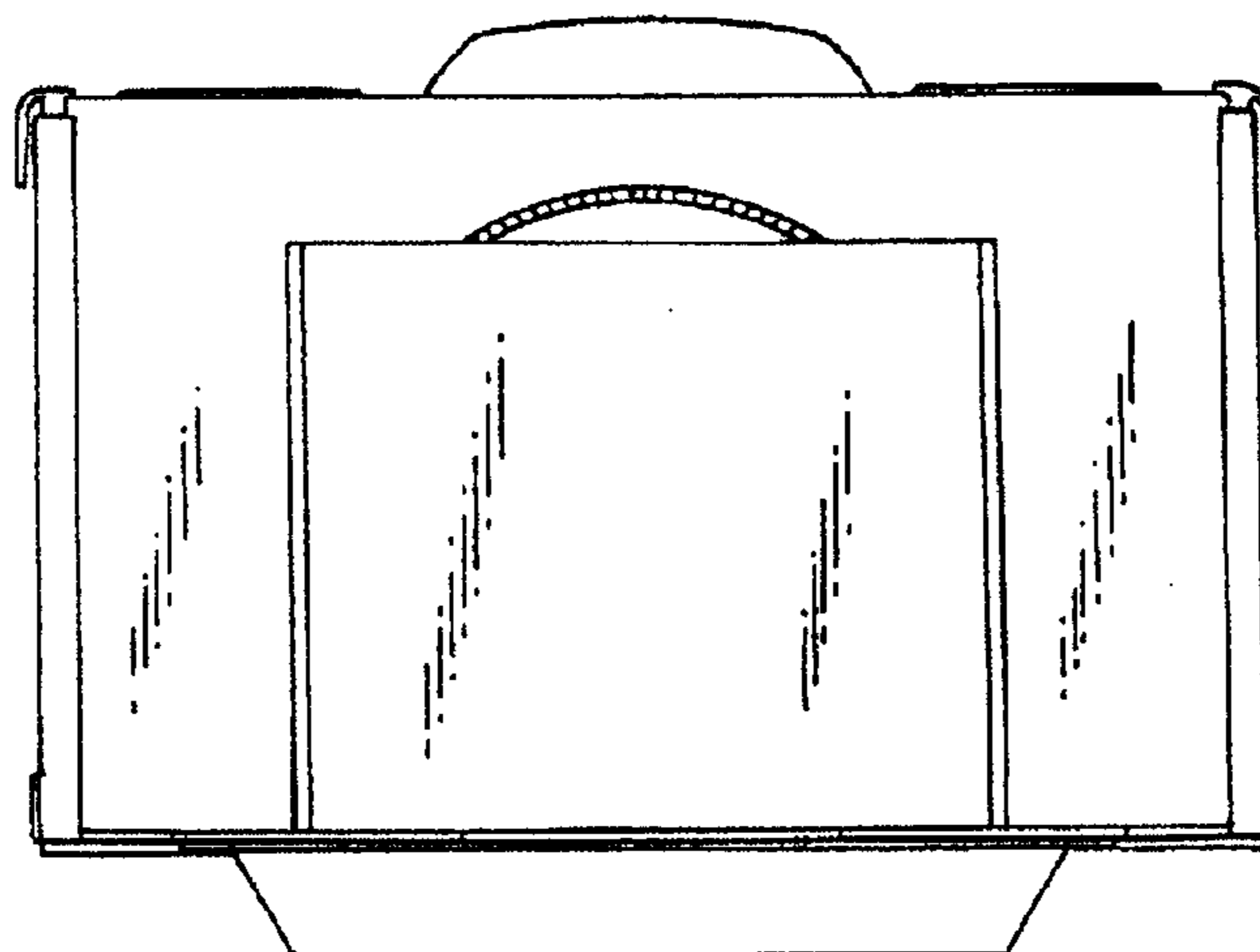


FIG. 5

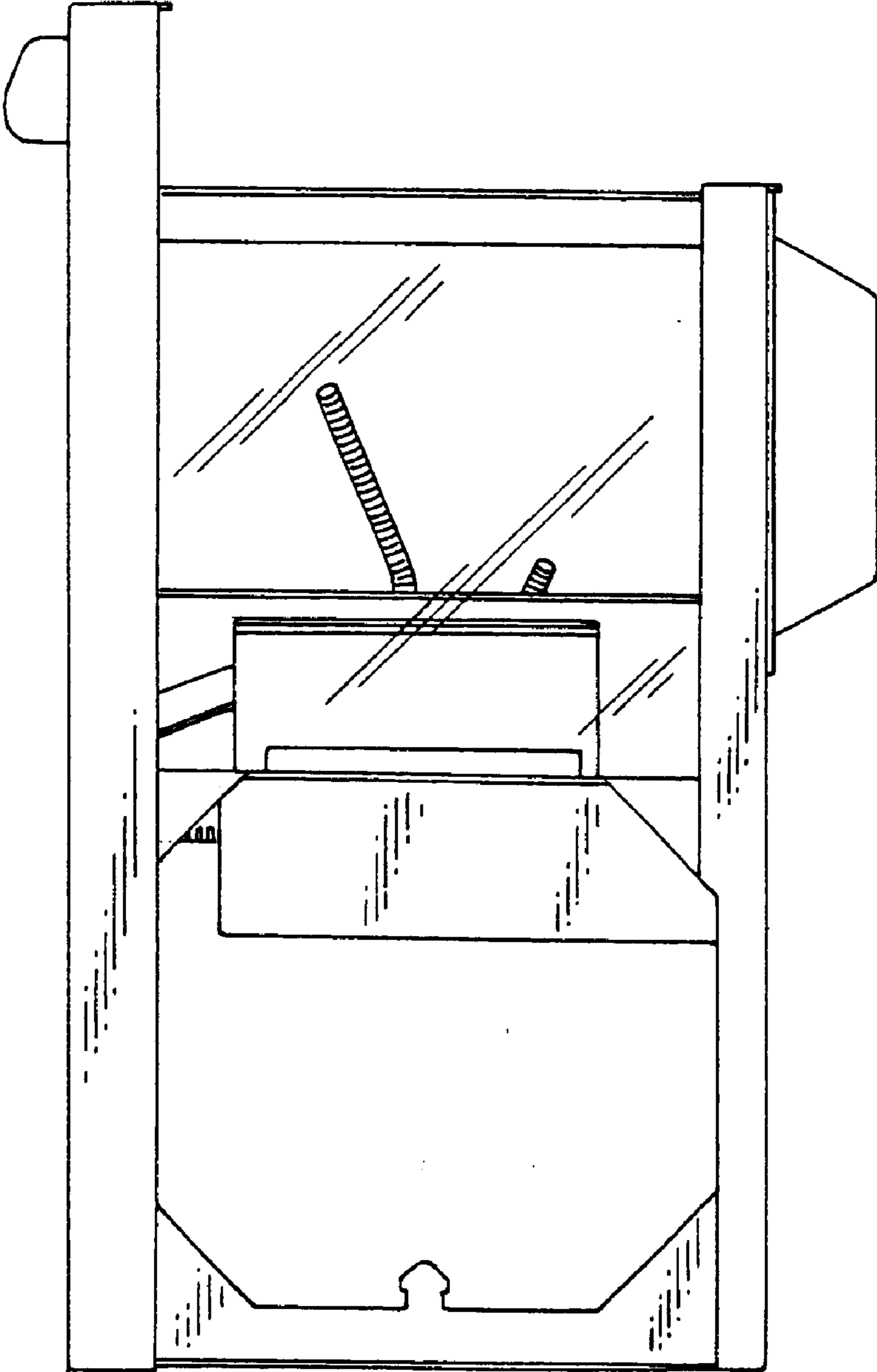


FIG. 6

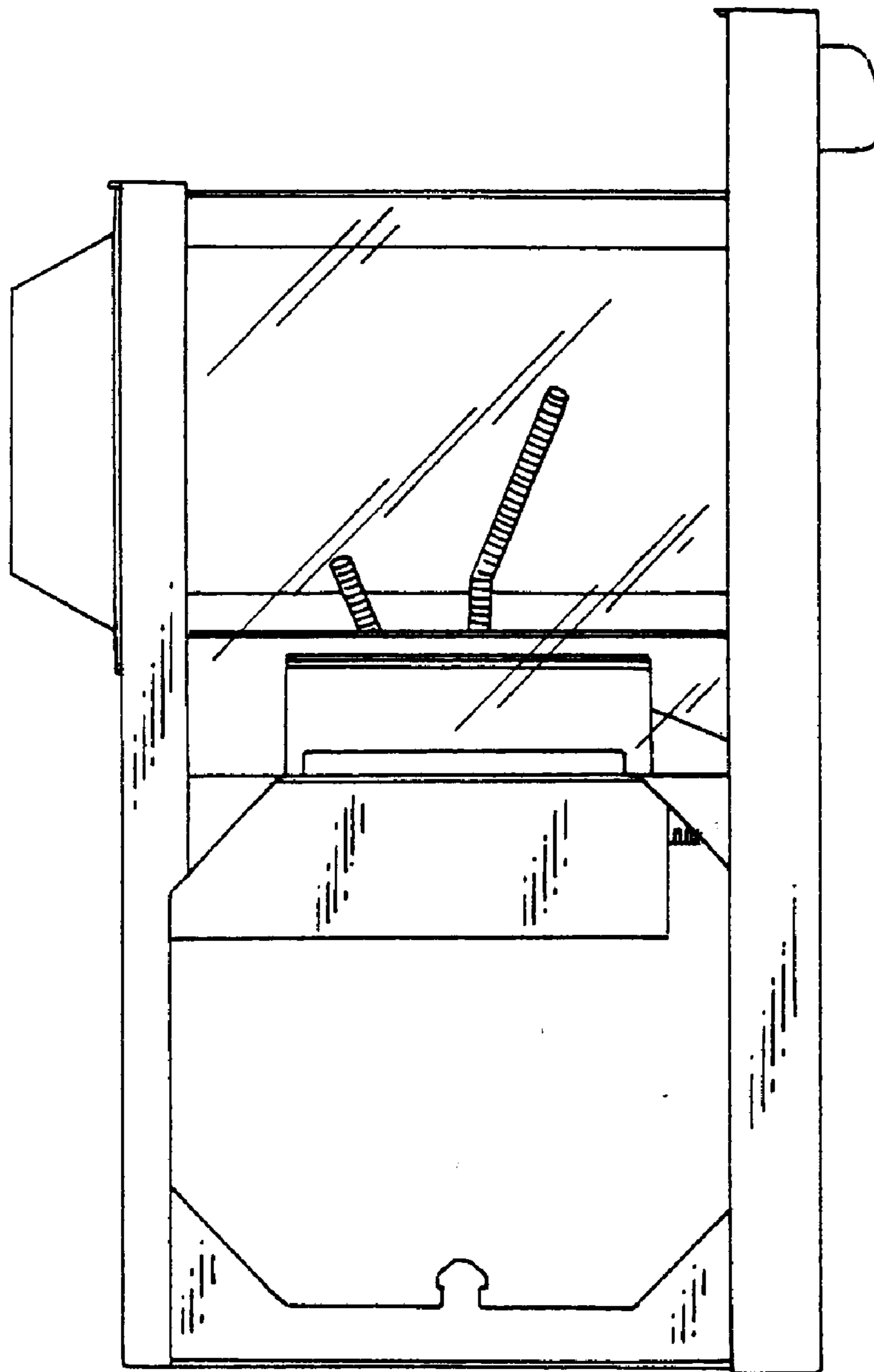


FIG. 7

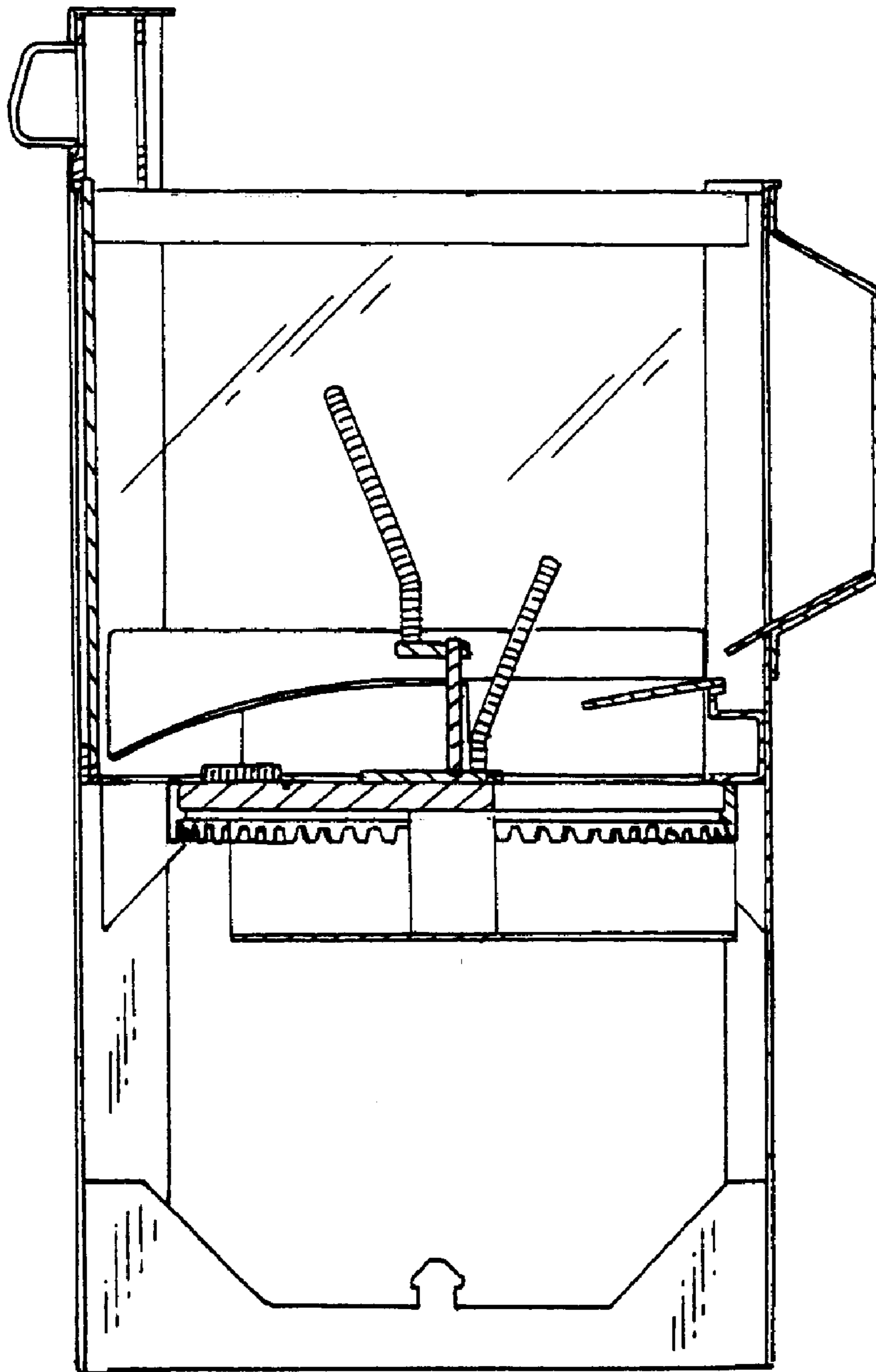


FIG. 8

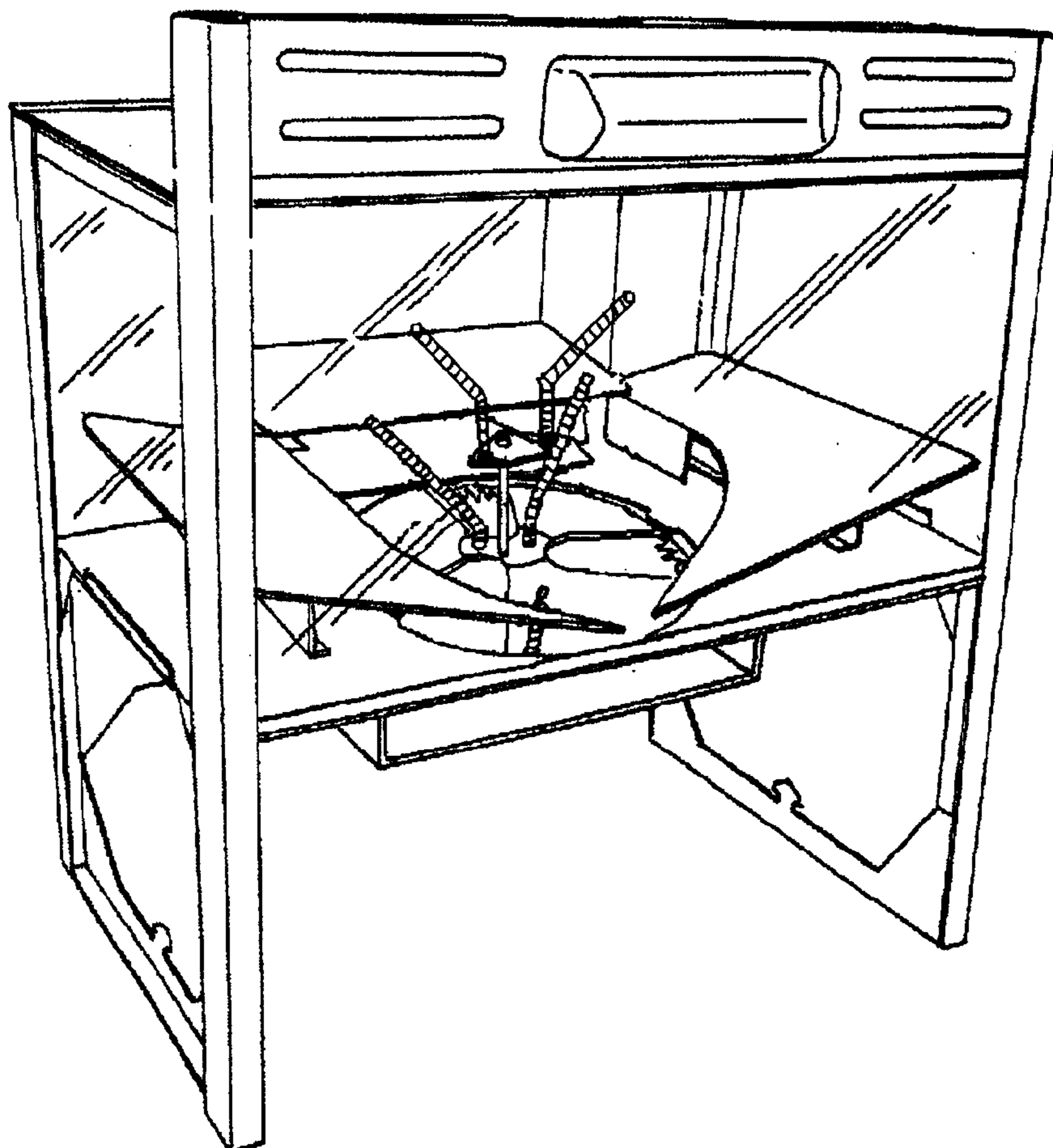


FIG. 9

