



US00D534214S

(12) **United States Design Patent**
Marcy et al.

(10) **Patent No.:** **US D534,214 S**

(45) **Date of Patent:** **** Dec. 26, 2006**

(54) **DISPLAY BOARD WITH TIMER**

(76) Inventors: **James A. Marcy**, 2405 S. 8th St.,
Springfield, IL (US) 62703; **Bonnie L.
Henry**, 2405 S. 8th St., Springfield, IL
(US) 62703

(**) Term: **14 Years**

(21) Appl. No.: **29/223,327**

(22) Filed: **Feb. 14, 2005**

(51) **LOC (8) Cl.** **19-06**

(52) **U.S. Cl.** **D19/52; D19/36; D10/2**

(58) **Field of Classification Search** D6/300,
D6/509; D7/698; D10/2, 40; D19/36, 37,
D19/52, 88, 91; D20/10; 40/1, 606.1, 611.2,
40/700, 728; 248/441.1, 451, 460; 312/230,
312/231; 428/81; 434/408-424

See application file for complete search history.

D343,865 S * 2/1994 Pohl D19/78
5,527,568 A * 6/1996 Boone et al. 428/14
D375,978 S * 11/1996 Fitzgerald D20/10
D377,948 S 2/1997 Pruhs
5,743,414 A * 4/1998 Baudino 211/69.1
5,911,525 A * 6/1999 Jepsen et al. 40/611.06
5,987,377 A 11/1999 Westerlage et al.
D451,683 S * 12/2001 Vincent D6/300
6,347,468 B1 * 2/2002 Mohamed 40/564
D496,068 S * 9/2004 Mandel D19/36
D506,074 S * 6/2005 Chen et al. D6/300
D507,302 S * 7/2005 Chen et al. D19/52
2003/0037473 A1 * 2/2003 Pifer 40/700

* cited by examiner

Primary Examiner—Elizabeth A. Albert

(74) *Attorney, Agent, or Firm*—Theresa M. Seal

(57) **CLAIM**

The ornamental design for display board with timer, as shown and described.

(56) **References Cited**

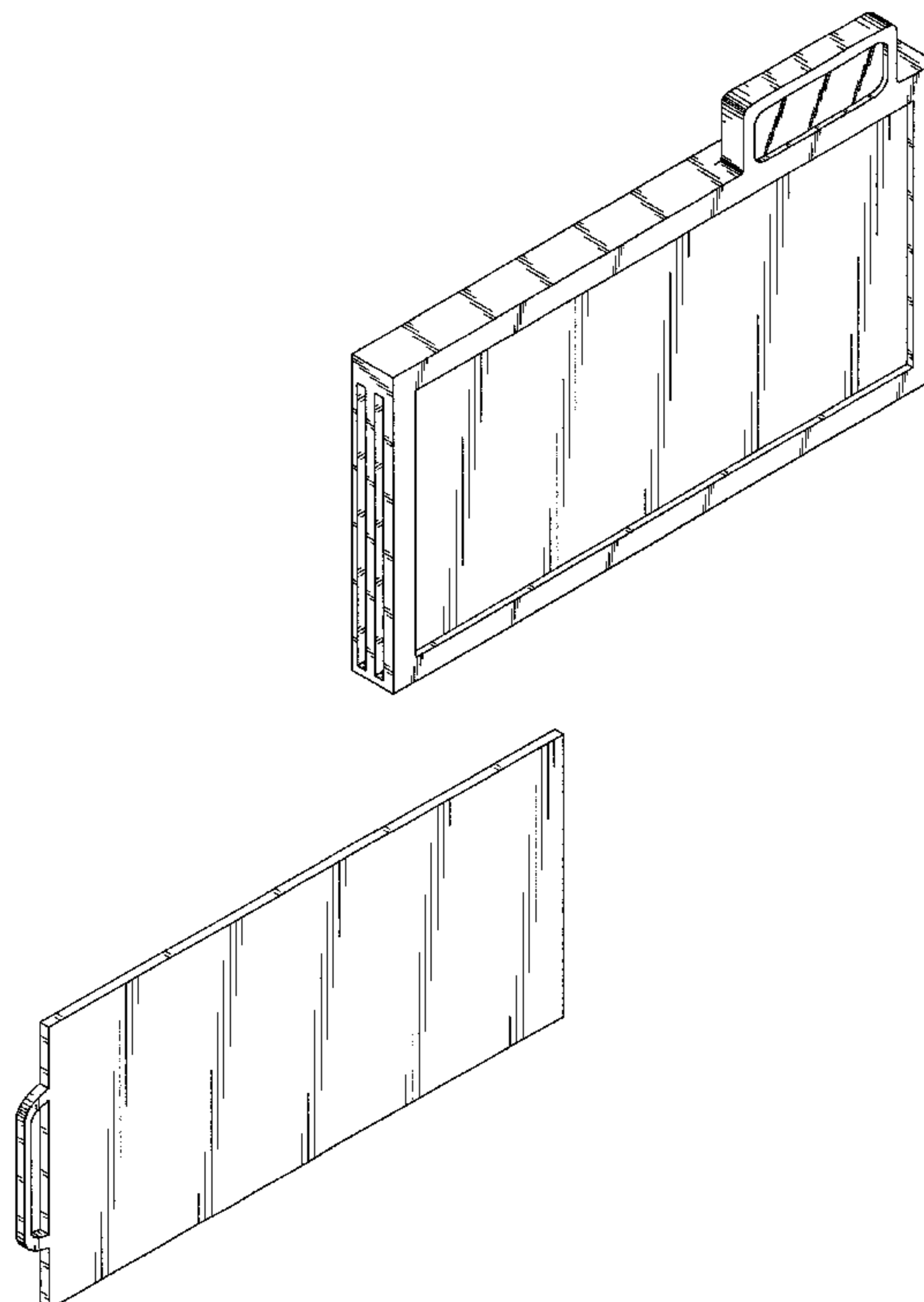
U.S. PATENT DOCUMENTS

3,102,351 A * 9/1963 Howell 40/611.04
4,133,123 A 1/1979 Anderson
D278,415 S * 4/1985 Fenne D10/40
4,592,530 A * 6/1986 Seely et al. 248/475.1
4,805,331 A * 2/1989 Boggess et al. 40/651
D303,402 S * 9/1989 Brown D20/10
D304,960 S 12/1989 Denton
D314,983 S * 2/1991 Cangiani et al. D20/10
5,146,345 A * 9/1992 Yamashita et al. 358/296
D339,379 S 9/1993 Persing

DESCRIPTION

FIG. 1 is a top left front exploded perspective view of the display board with timer showing out new design; FIG. 2 is an exploded left side elevational view thereof; FIG. 3 is an exploded right side elevational view thereof; FIG. 4 is an exploded front elevational view thereof; FIG. 5 is an exploded rear elevational view thereof; FIG. 6 is an exploded top plan view thereof; and, FIG. 7 is an exploded bottom plan view thereof.

1 Claim, 5 Drawing Sheets



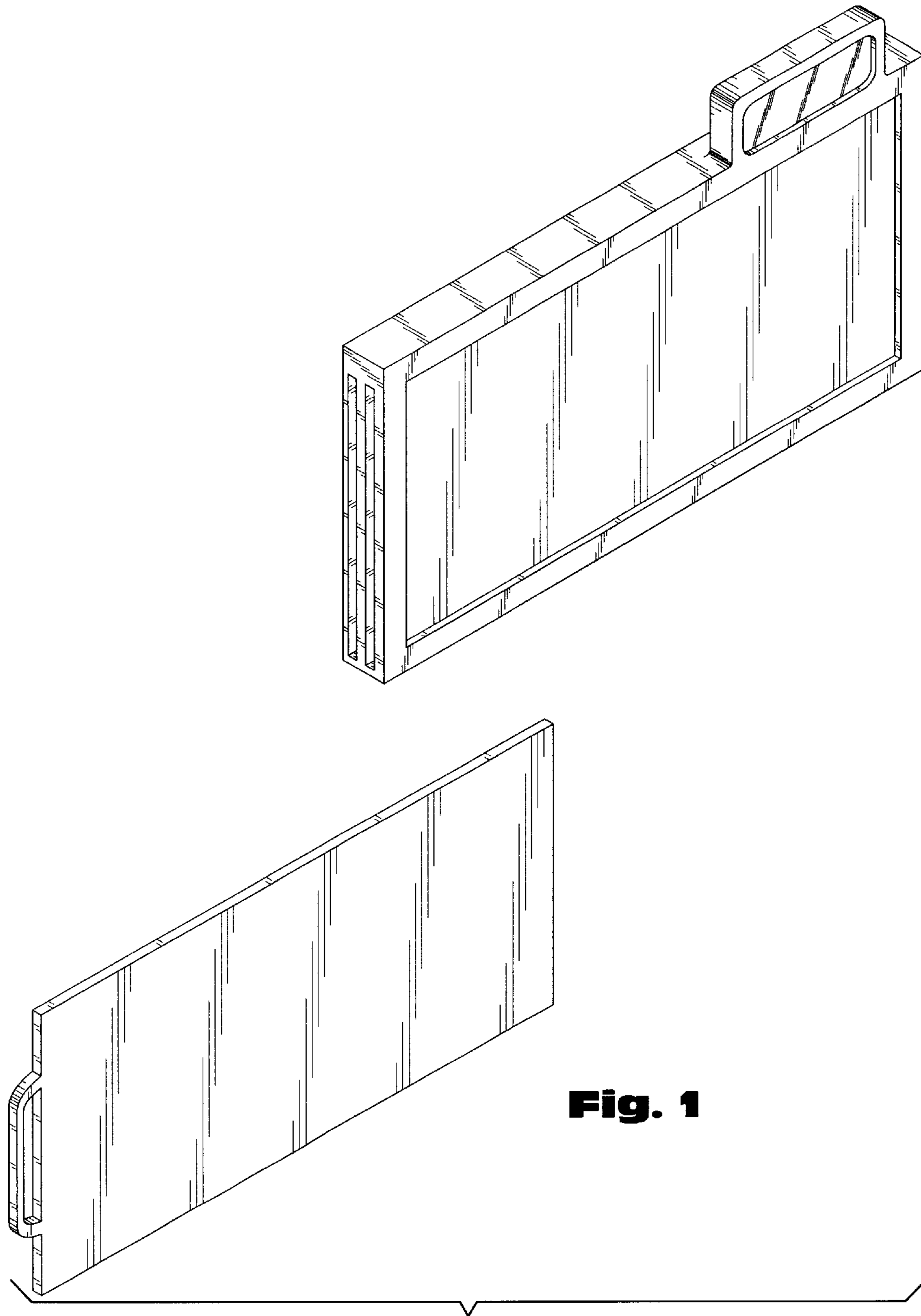


Fig. 1

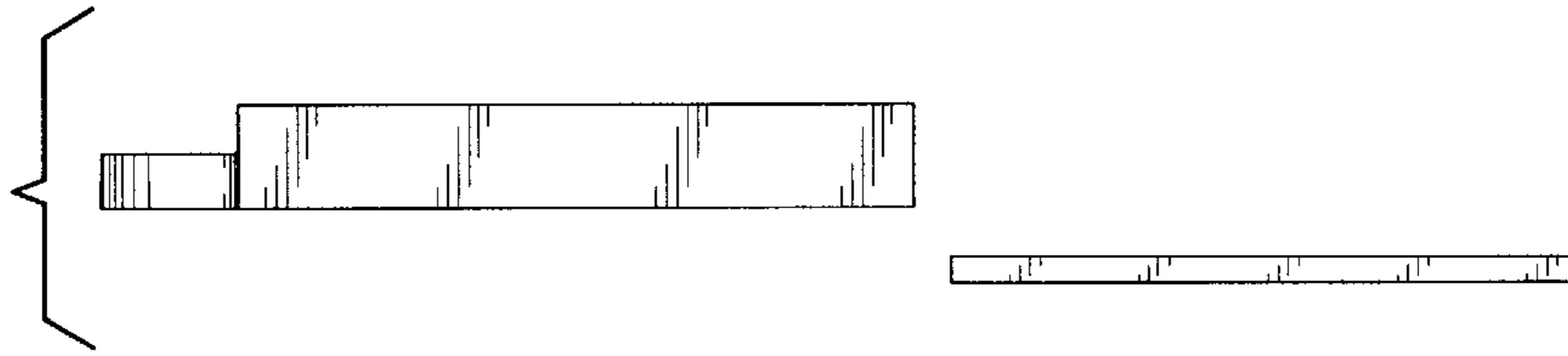


Fig. 3

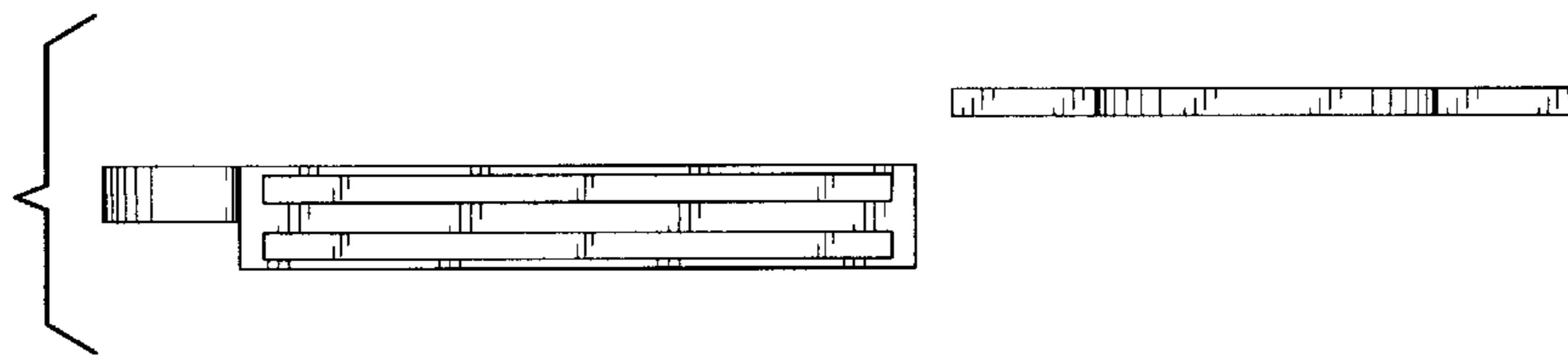


Fig. 2

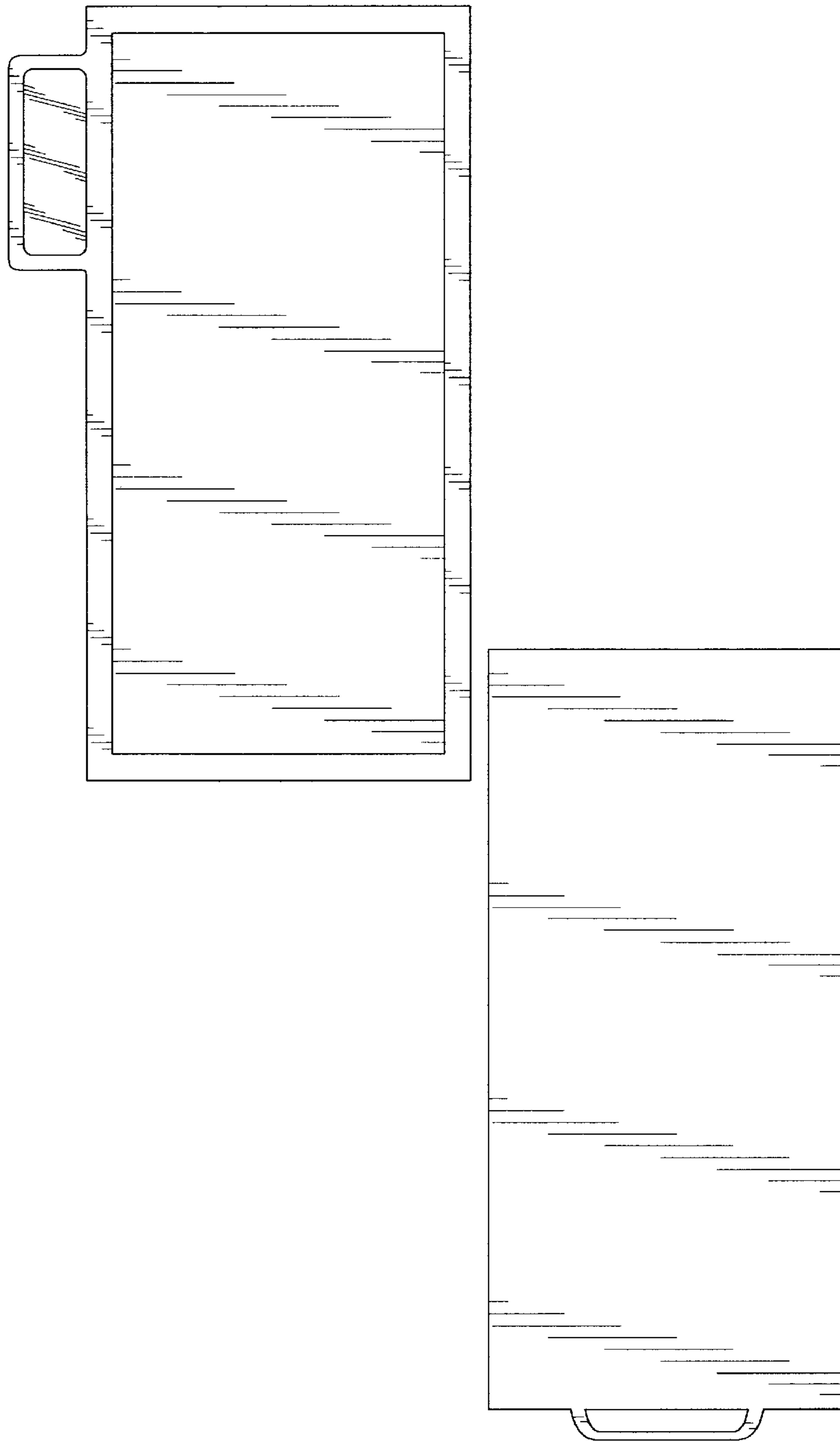


Fig. 4



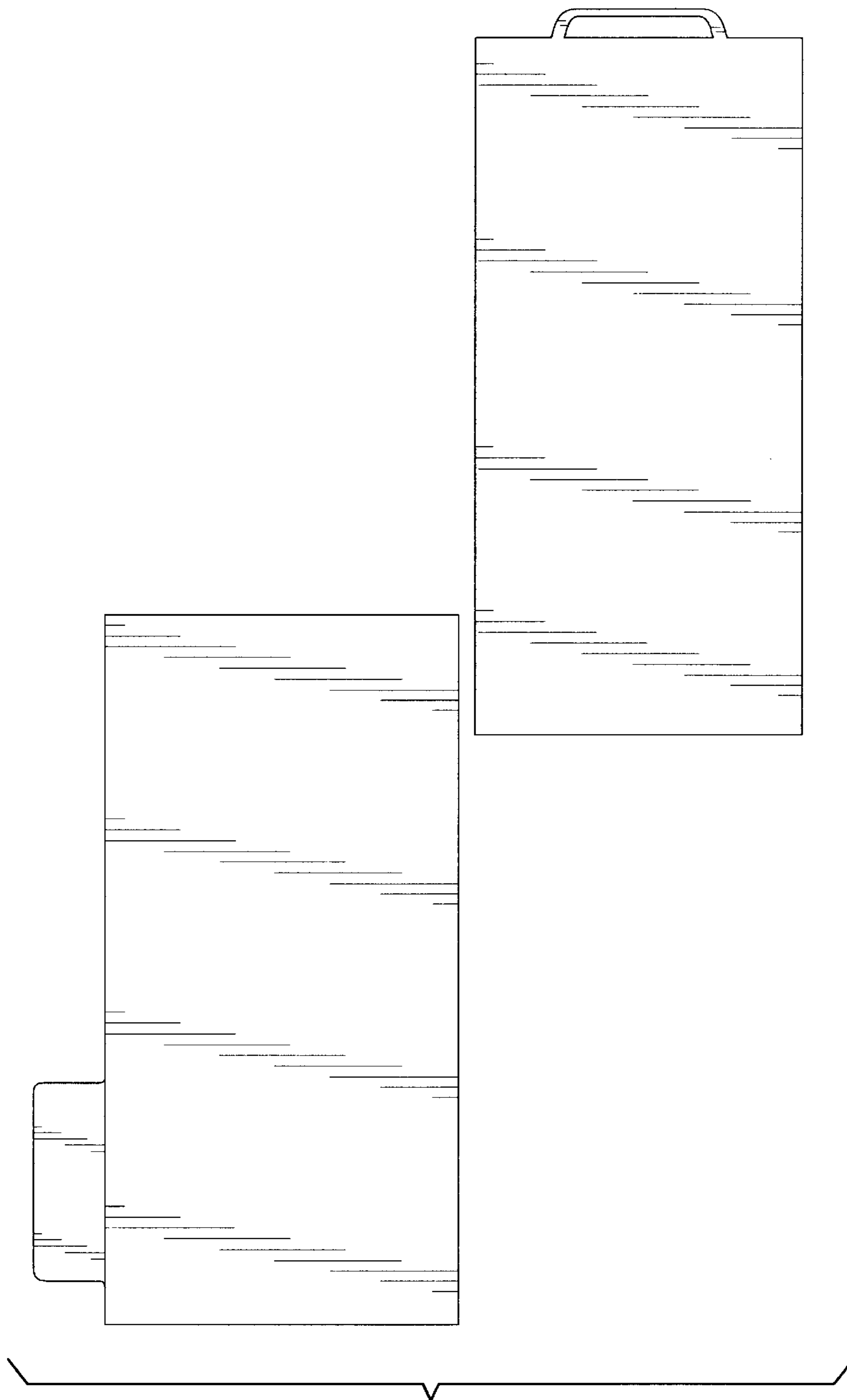


Fig. 5

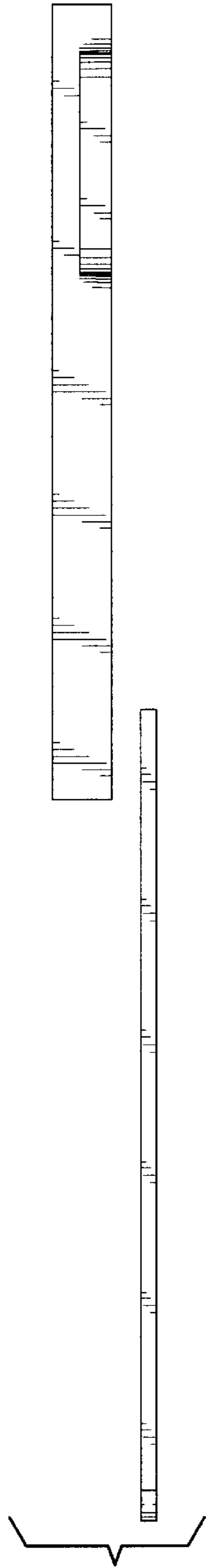


Fig. 6

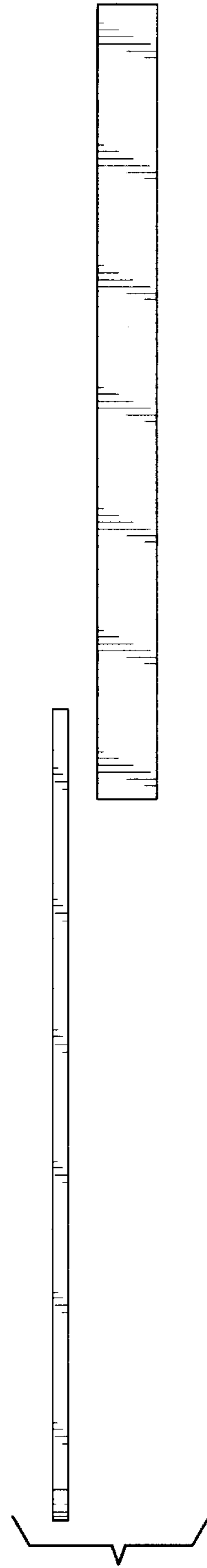


Fig. 7