



US00D534209S

(12) **United States Design Patent**
Yamaguchi

(10) **Patent No.:** **US D534,209 S**

(45) **Date of Patent:** **** Dec. 26, 2006**

(54) **PRINTER**

(75) Inventor: **Yasutake Yamaguchi**, Chiryu (JP)

(73) Assignee: **Brother Industries, Ltd.**, Nagoya (JP)

(**) Term: **14 Years**

(21) Appl. No.: **29/238,423**

(22) Filed: **Sep. 16, 2005**

(30) **Foreign Application Priority Data**

May 31, 2005 (JP) 2005-015895

(51) **LOC (8) Cl.** **18-02**

(52) **U.S. Cl.** **D18/55**

(58) **Field of Classification Search** D18/14,
D18/19, 36-39, 50, 53, 54, 54.1, 55; D14/420-425,
D14/462-470; D16/246-248; 399/107; 400/613,
400/613.1-613.4, 690.1-690.4, 691-694
See application file for complete search history.

(56) **References Cited**

U.S. PATENT DOCUMENTS

- D281,256 S * 11/1985 Yamamoto D18/55
- D350,152 S * 8/1994 Tsuchida et al. D18/55
- D385,297 S * 10/1997 Okumura D18/55
- D421,455 S * 3/2000 Kobayashi et al. D18/54

- D436,987 S * 1/2001 Suzuki et al. D18/55
- 6,612,763 B1 * 9/2003 Yoshihara 400/692
- 6,975,814 B1 * 12/2005 Tsusaka et al. 399/107
- D520,055 S * 5/2006 Katayama D18/55
- D521,059 S * 5/2006 Richtsmeier et al. D18/55
- D521,060 S * 5/2006 Katayama D18/55
- D523,069 S * 6/2006 Akahane et al. D18/50
- D523,071 S * 6/2006 Katayama et al. D18/50
- 2004/0131378 A1 * 7/2004 Hattori et al. 399/107

* cited by examiner

Primary Examiner—Cathy Anne MacCormac

(74) *Attorney, Agent, or Firm*—Oliff & Berridge, PLC

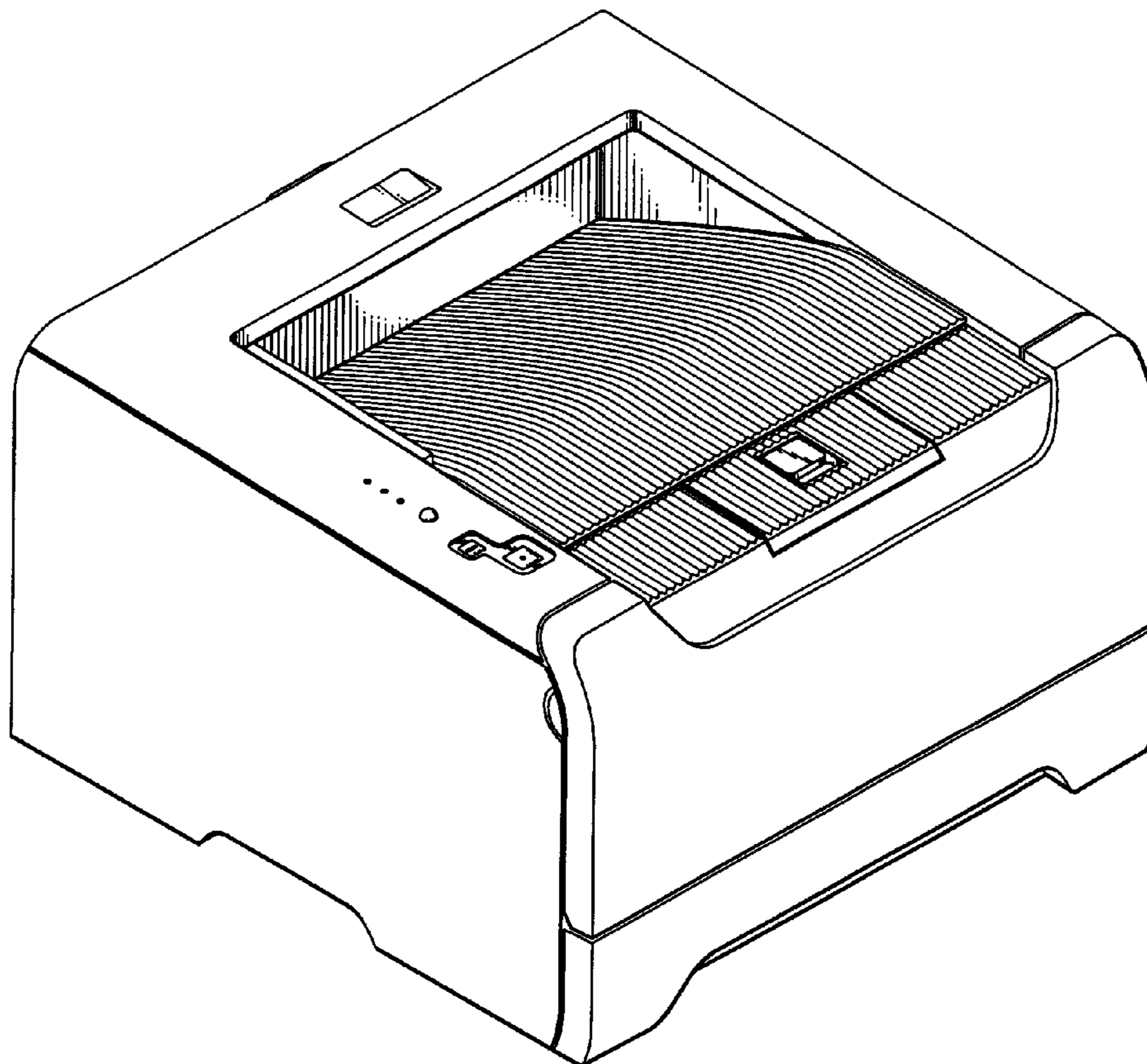
(57) **CLAIM**

The ornamental design for a printer, as shown and described.

DESCRIPTION

FIG. 1 is a perspective view of a printer;
 FIG. 2 is a front view thereof;
 FIG. 3 is a top view thereof;
 FIG. 4 is a left-side view thereof;
 FIG. 5 is a right-side view thereof;
 FIG. 6 is a rear view thereof; and,
 FIG. 7 is a bottom view thereof.
 The broken lines on FIG. 6 are for illustrative purposes only
 and form no part of the claimed design.

1 Claim, 4 Drawing Sheets



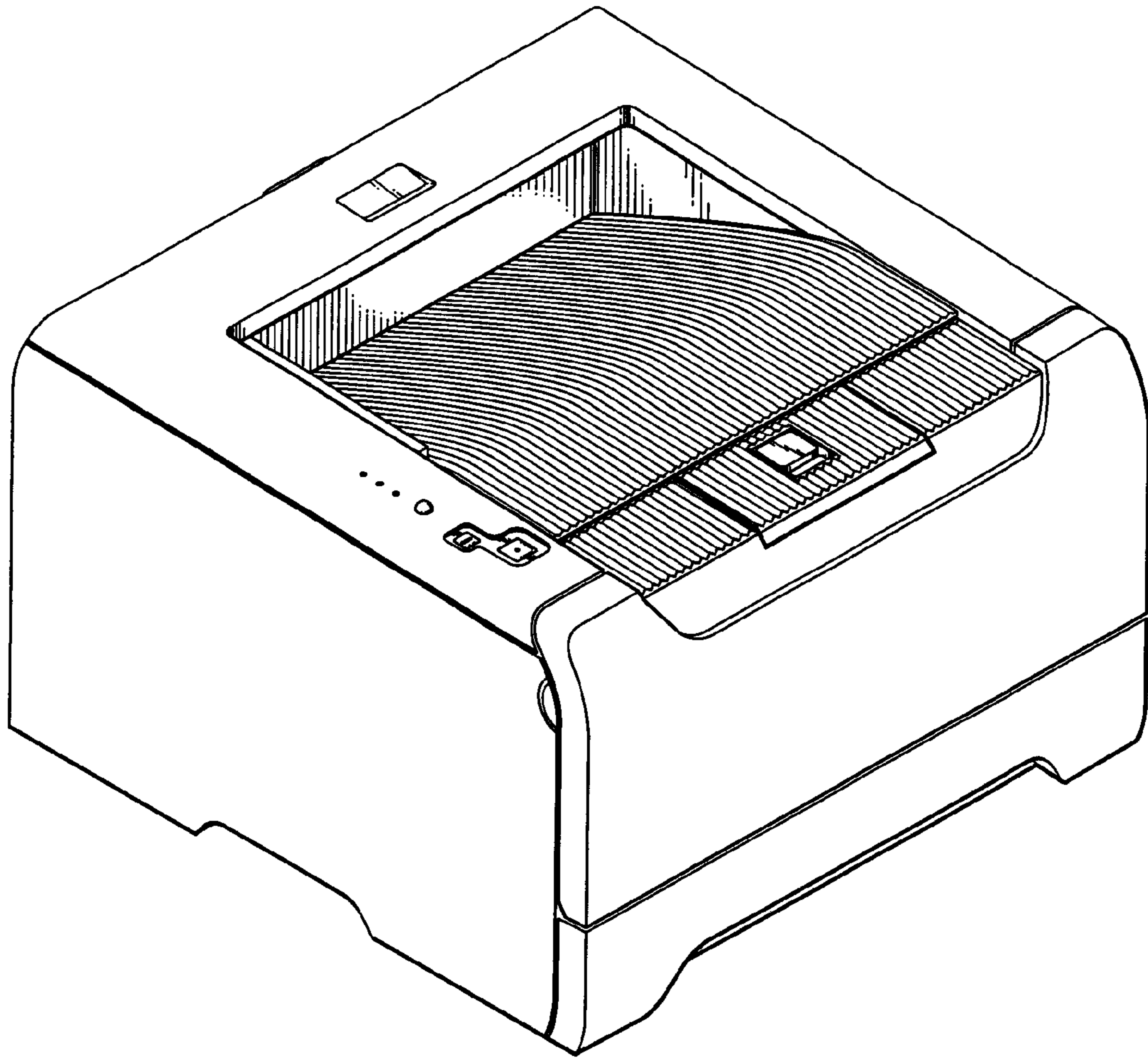


FIG. 1

FIG. 2

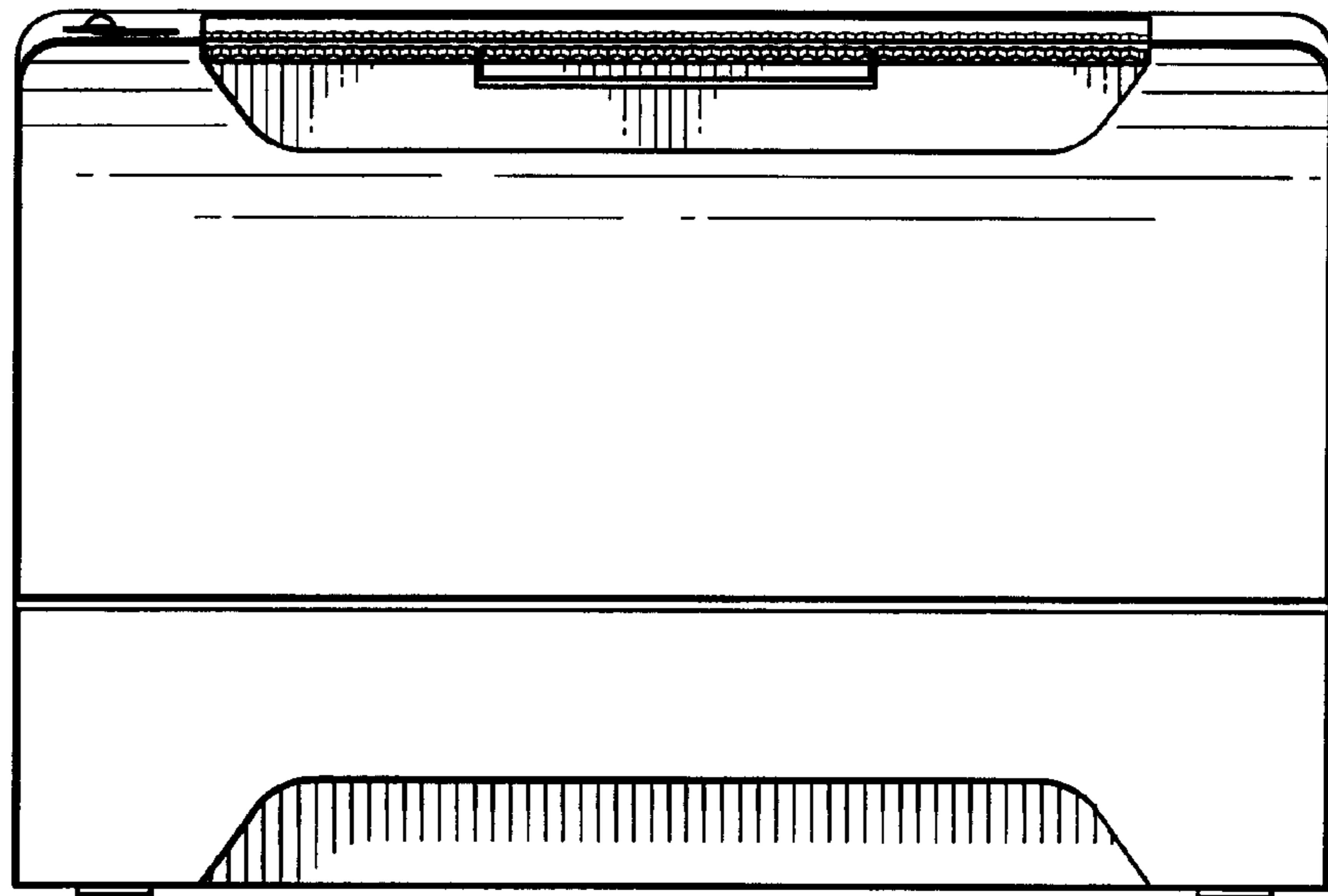
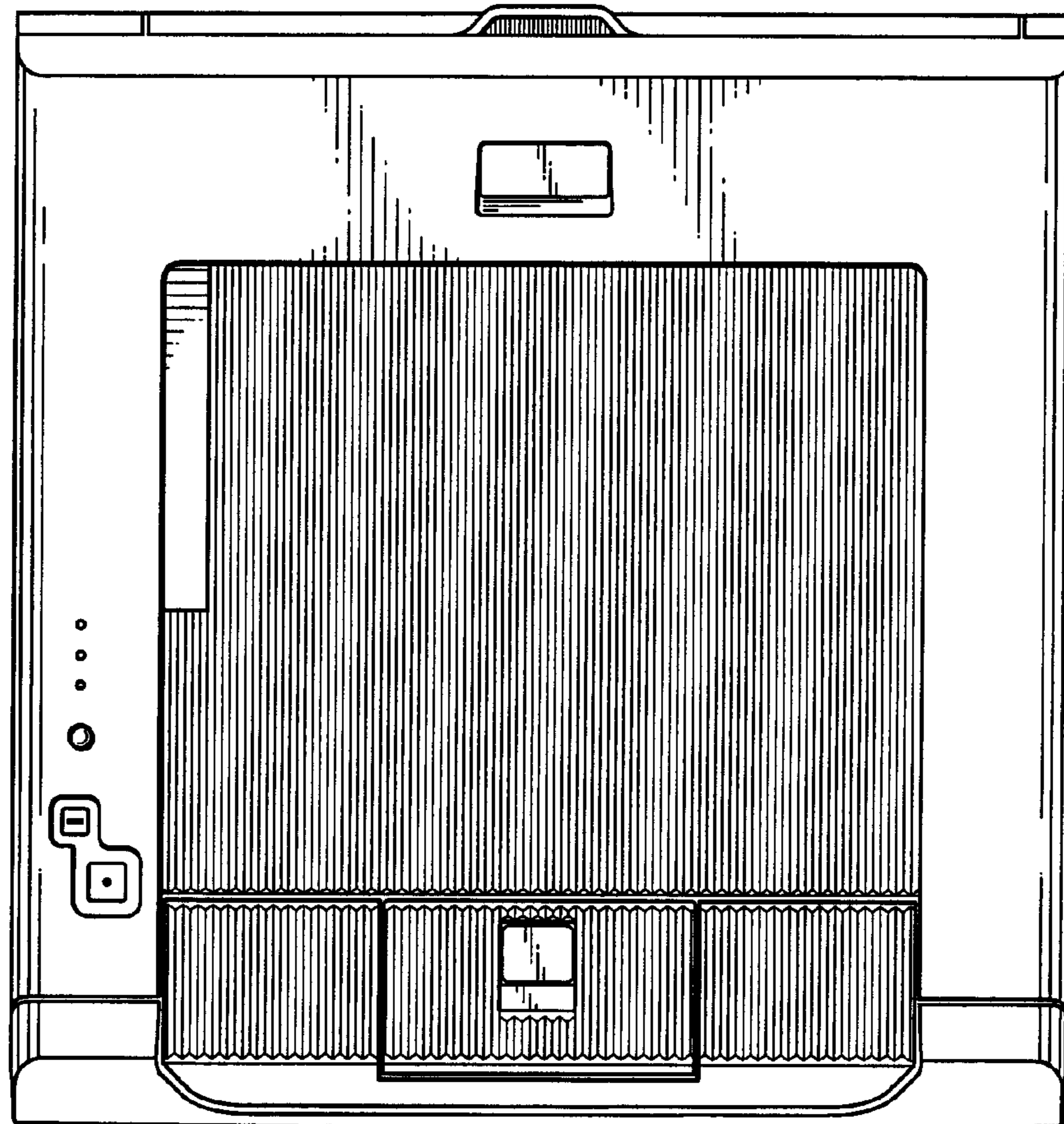


FIG. 3



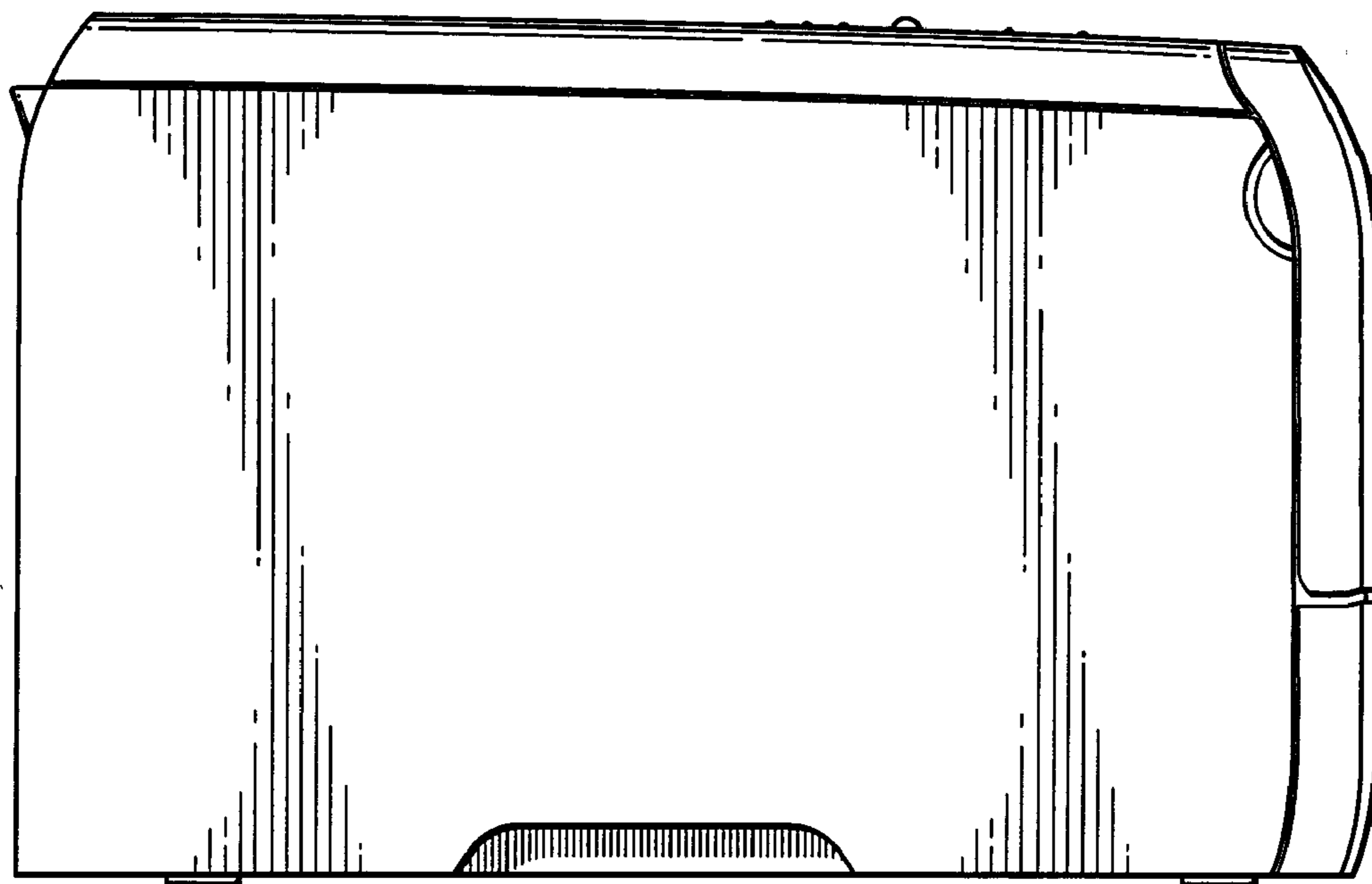


FIG. 4

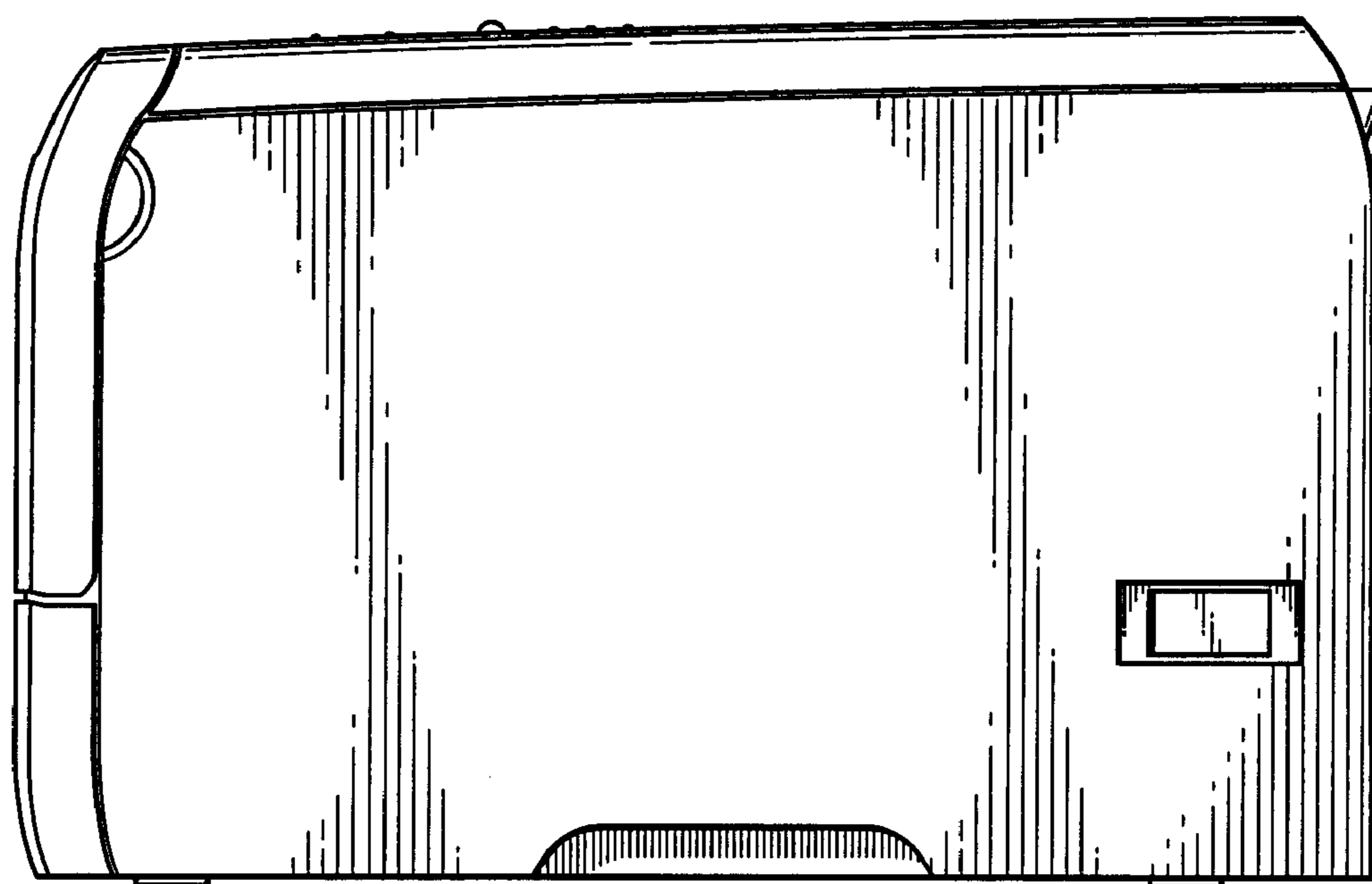


FIG. 5

FIG. 6

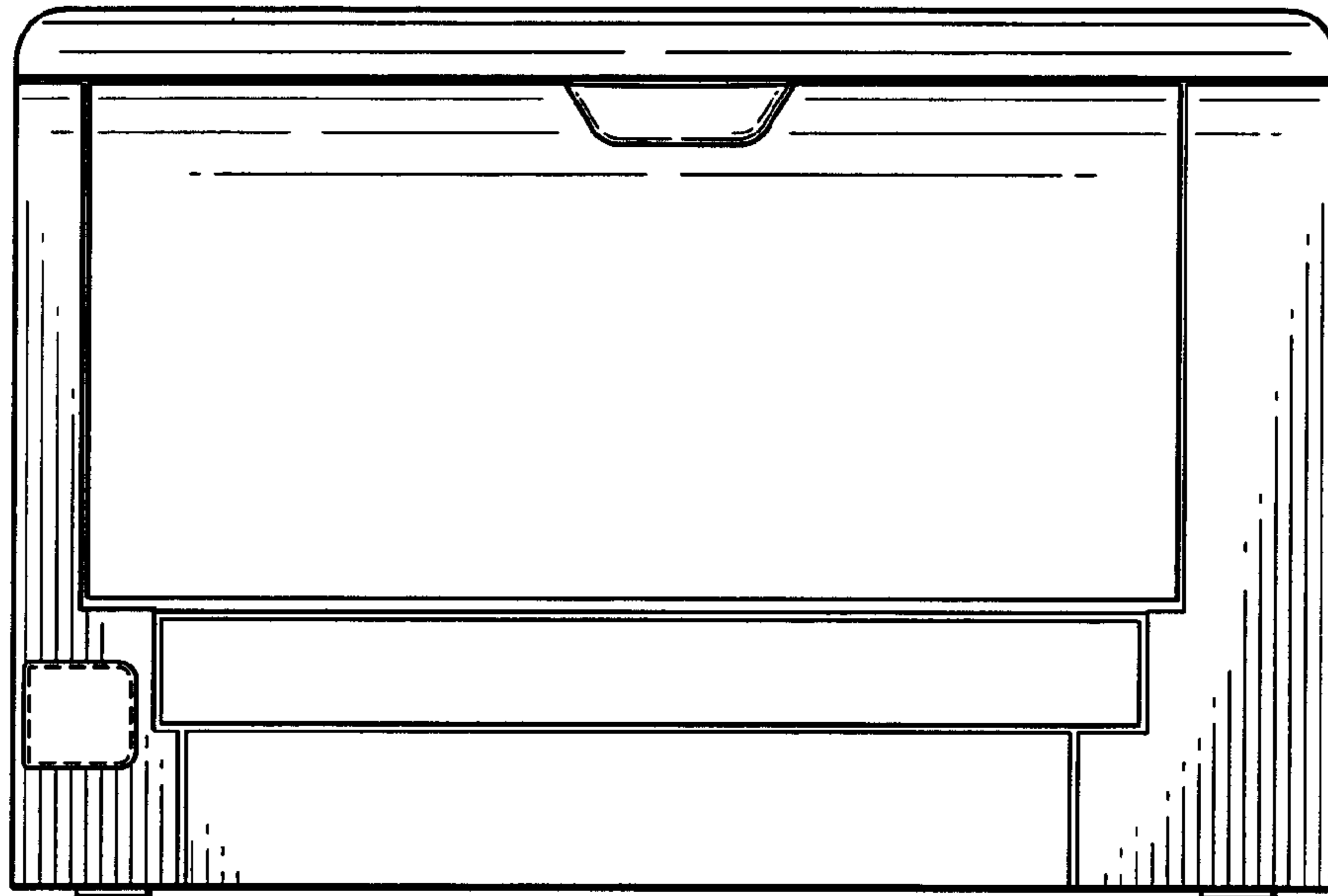


FIG. 7

