

US00D534208S

(12) **United States Design Patent**
Hwang et al.

(10) **Patent No.:** **US D534,208 S**

(45) **Date of Patent:** **** Dec. 26, 2006**

(54) **DEVICE INTERFACE**

(75) Inventors: **Pete Hwang**, Vancouver, WA (US);
Justine Worley, Murrieta, CA (US);
Peter Sikora, San Diego, CA (US);
David W. Leong, San Diego, CA (US)

(73) Assignee: **Hewlett-Packard Development Company, L.P.**, Houston, TX (US)

(**) Term: **14 Years**

(21) Appl. No.: **29/191,081**

(22) Filed: **Sep. 30, 2003**
(Under 37 CFR 1.47)

(51) **LOC (8) Cl.** **14-02**

(52) **U.S. Cl.** **D18/50**

(58) **Field of Classification Search** D18/50,
D18/53, 54, 54.1, 55, 19, 36-41; D14/420-425,
D14/462-470, 349; 400/613, 613.1, 613.2,
400/613.4, 691-694

See application file for complete search history.

(56) **References Cited**

U.S. PATENT DOCUMENTS

D287,497 S * 12/1986 Goodner et al. D18/55

D411,228 S * 6/1999 Kobayashi et al. D18/50
6,095,704 A * 8/2000 Jaeger et al. 400/613
D442,989 S * 5/2001 Leong et al. D18/55
D457,862 S * 5/2002 Falk et al. D13/162
D482,386 S * 11/2003 Hattori D18/50
D483,801 S * 12/2003 Hattori D18/50
D491,218 S * 6/2004 Masamitsu et al. D18/50

* cited by examiner

Primary Examiner—Louis S. Zarfaz
Assistant Examiner—Anhdao Doan

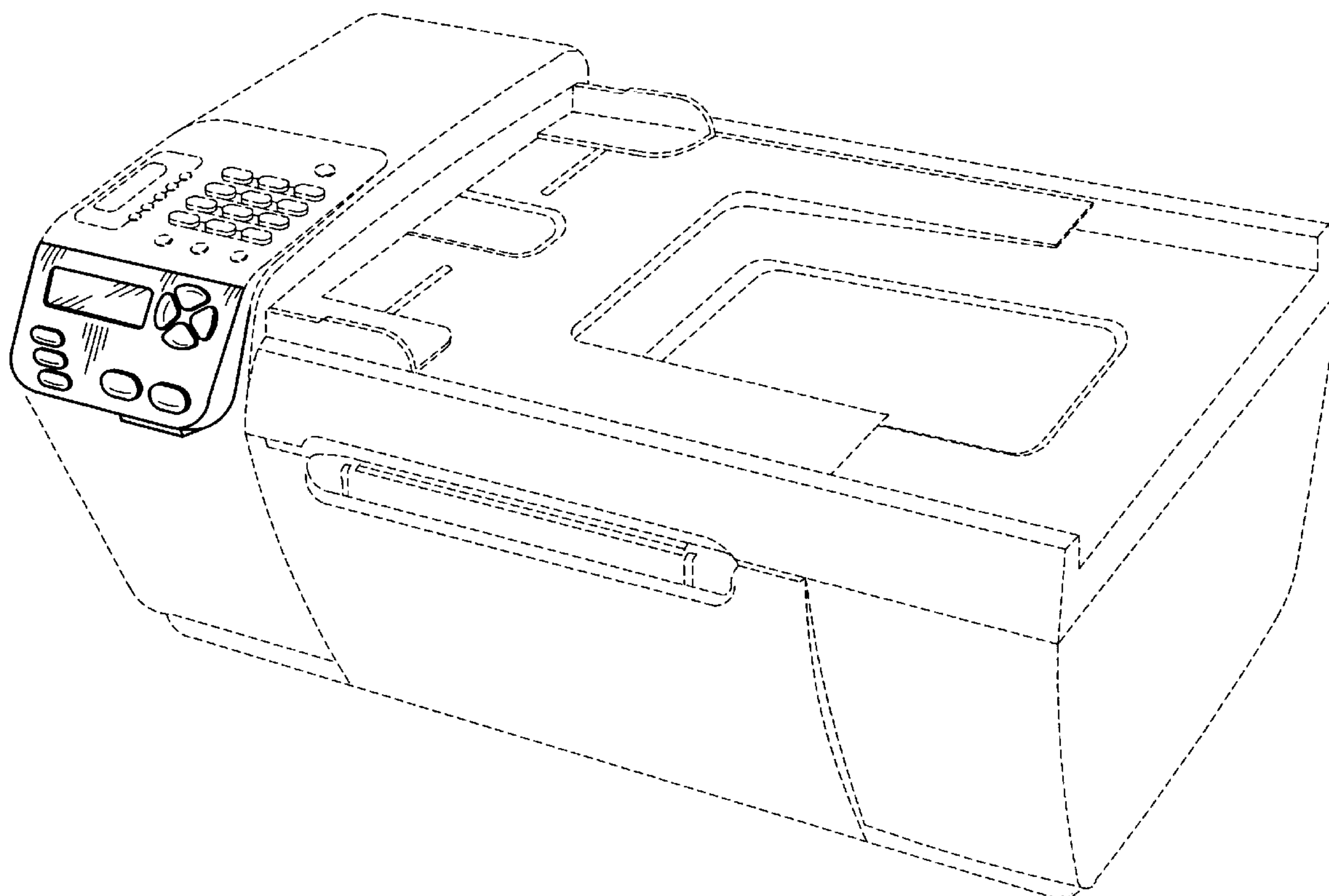
(57) **CLAIM**

The ornamental design for a device interface, as shown and described.

DESCRIPTION

FIG. 1 is a right-front perspective view of a device interface showing the new design;
FIG. 2 is a top view thereof;
FIG. 3 is a front view thereof;
FIG. 4 is a left side view thereof; and,
FIG. 5 is a right side view thereof.
The broken lines showing in FIGS. 1-5 are for illustrative purposes only and form no part of the claimed design.

1 Claim, 5 Drawing Sheets



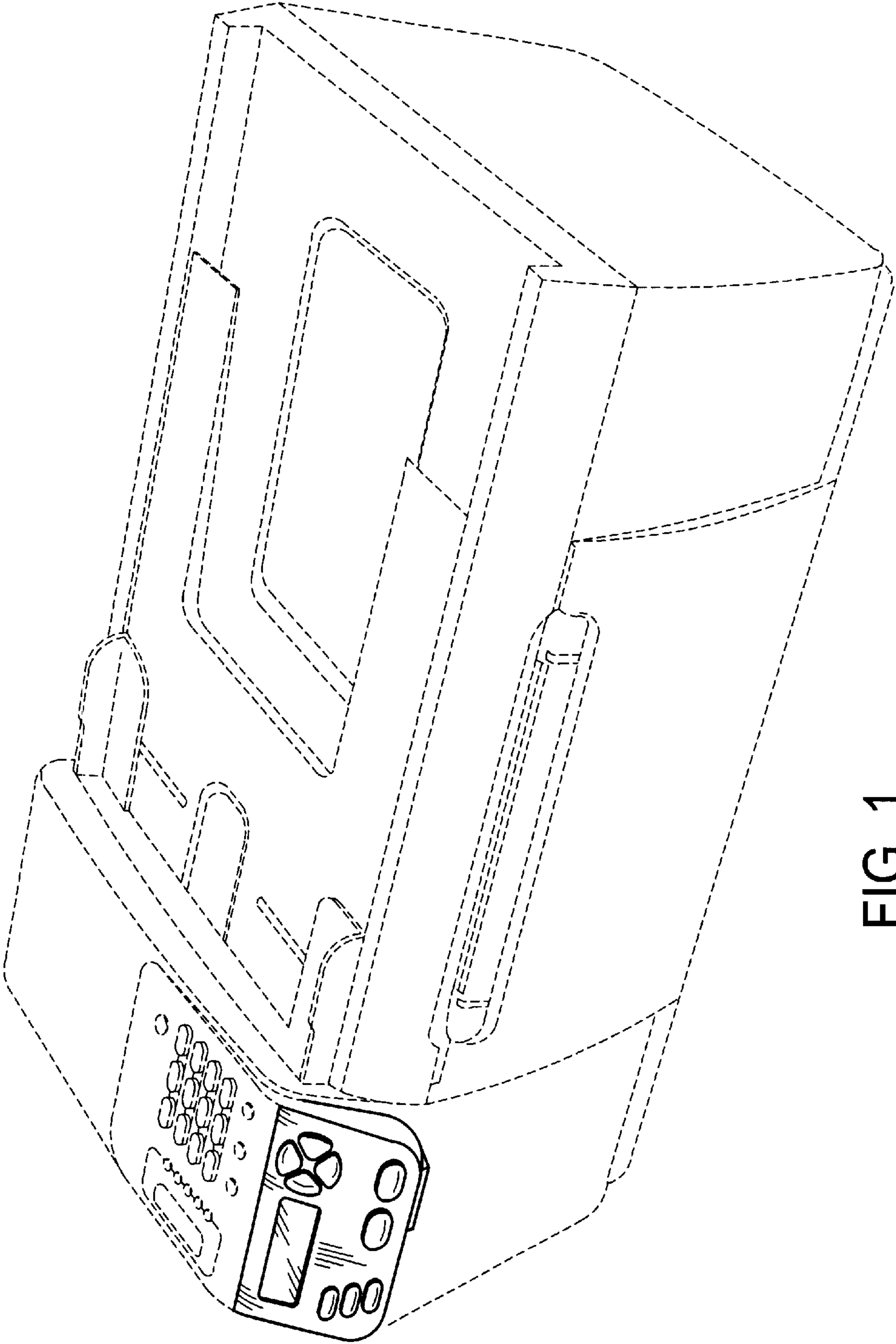


FIG. 1

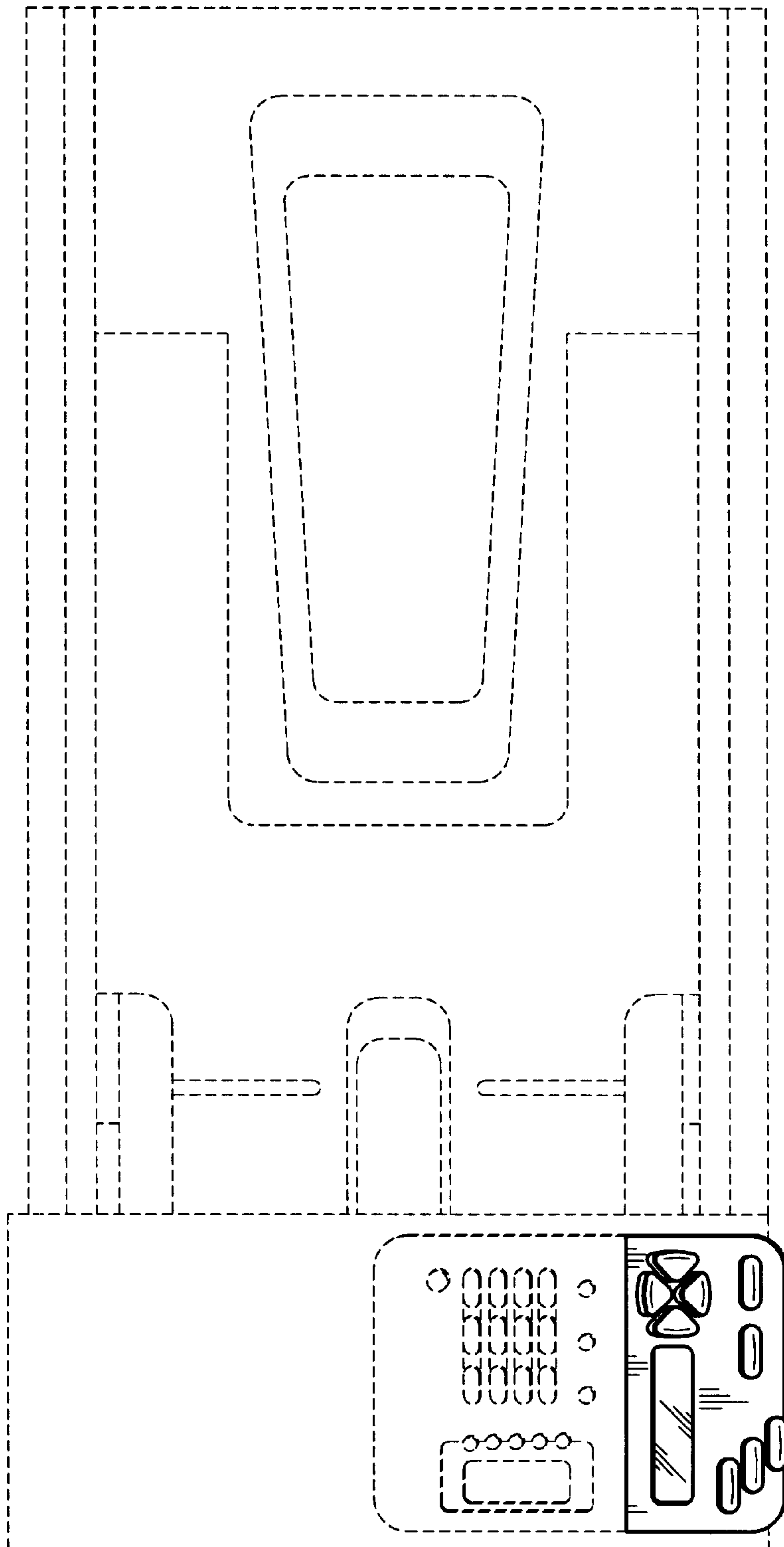


FIG. 2

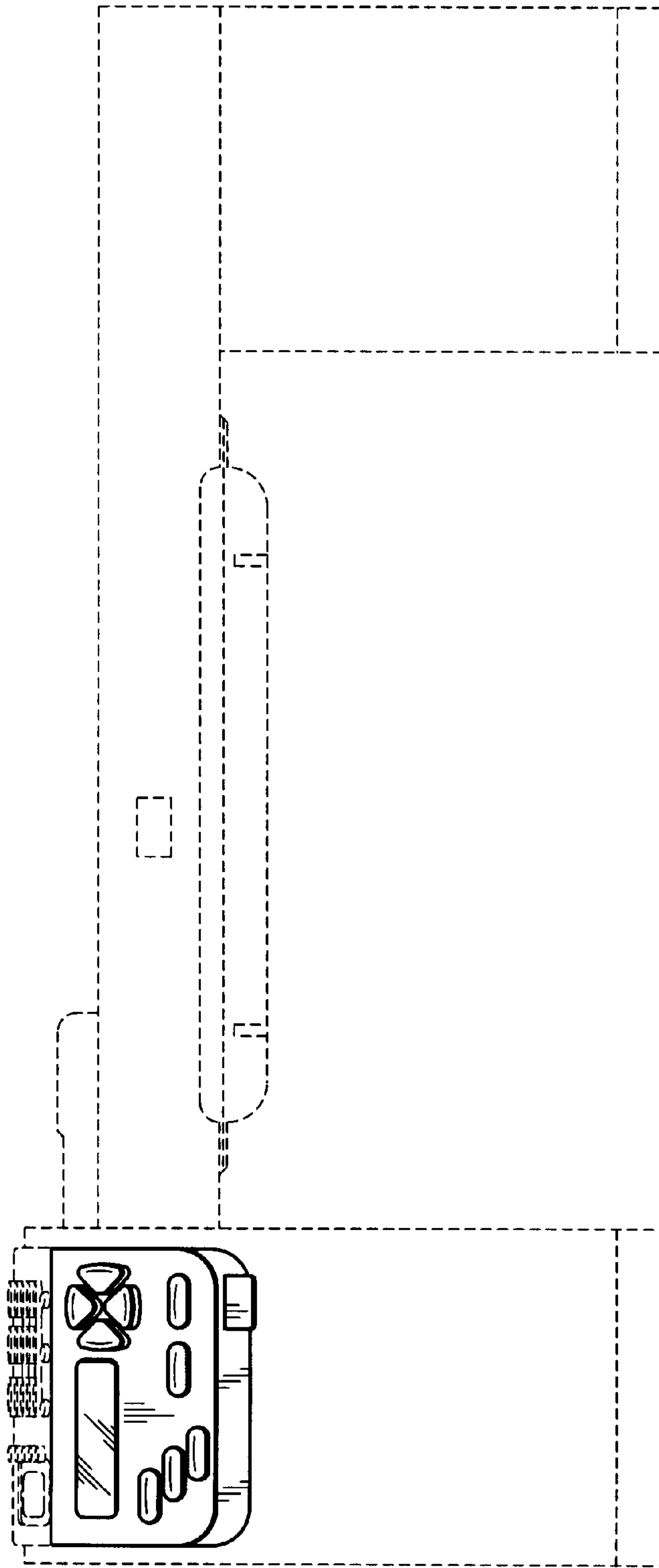


FIG. 3

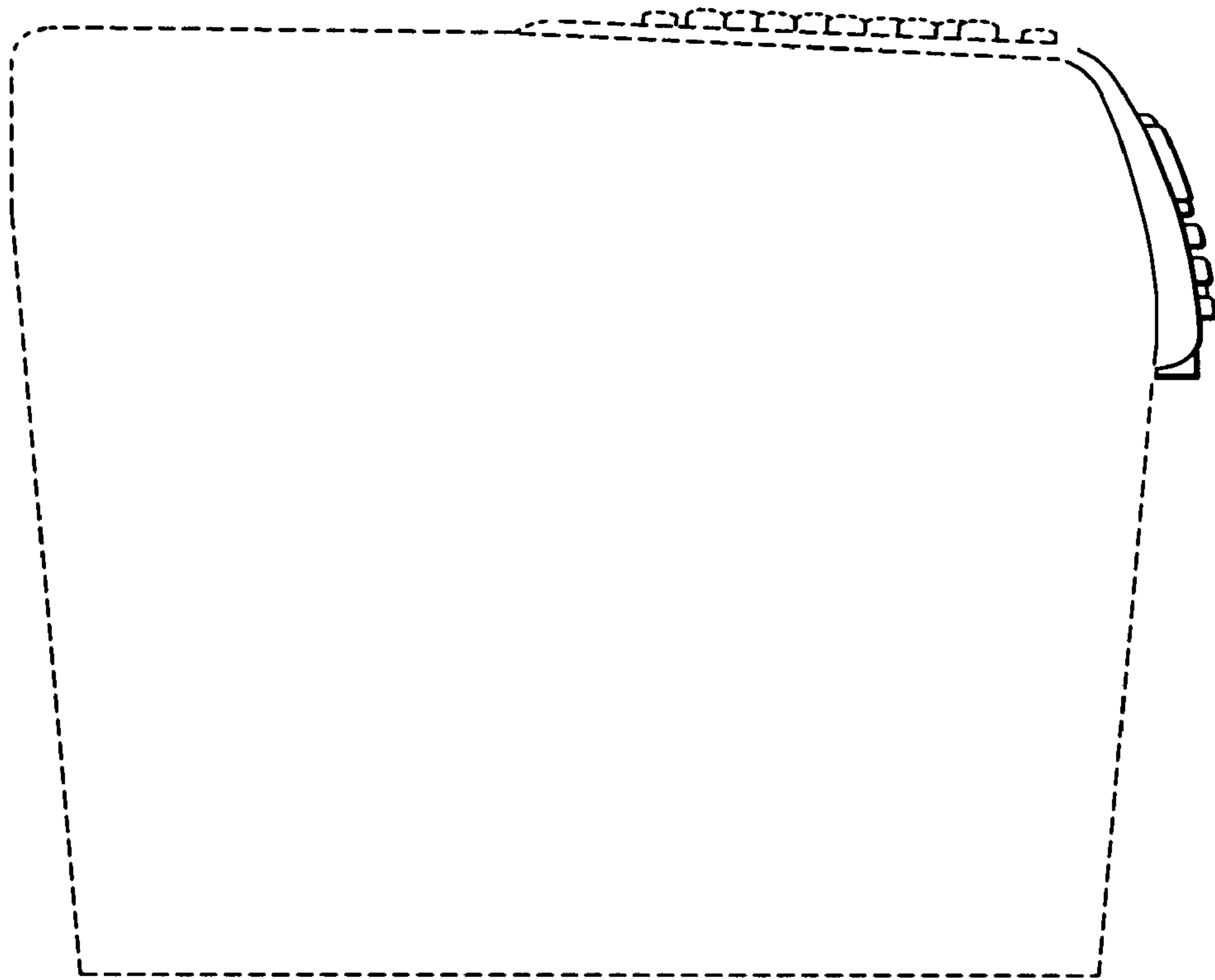


FIG. 4

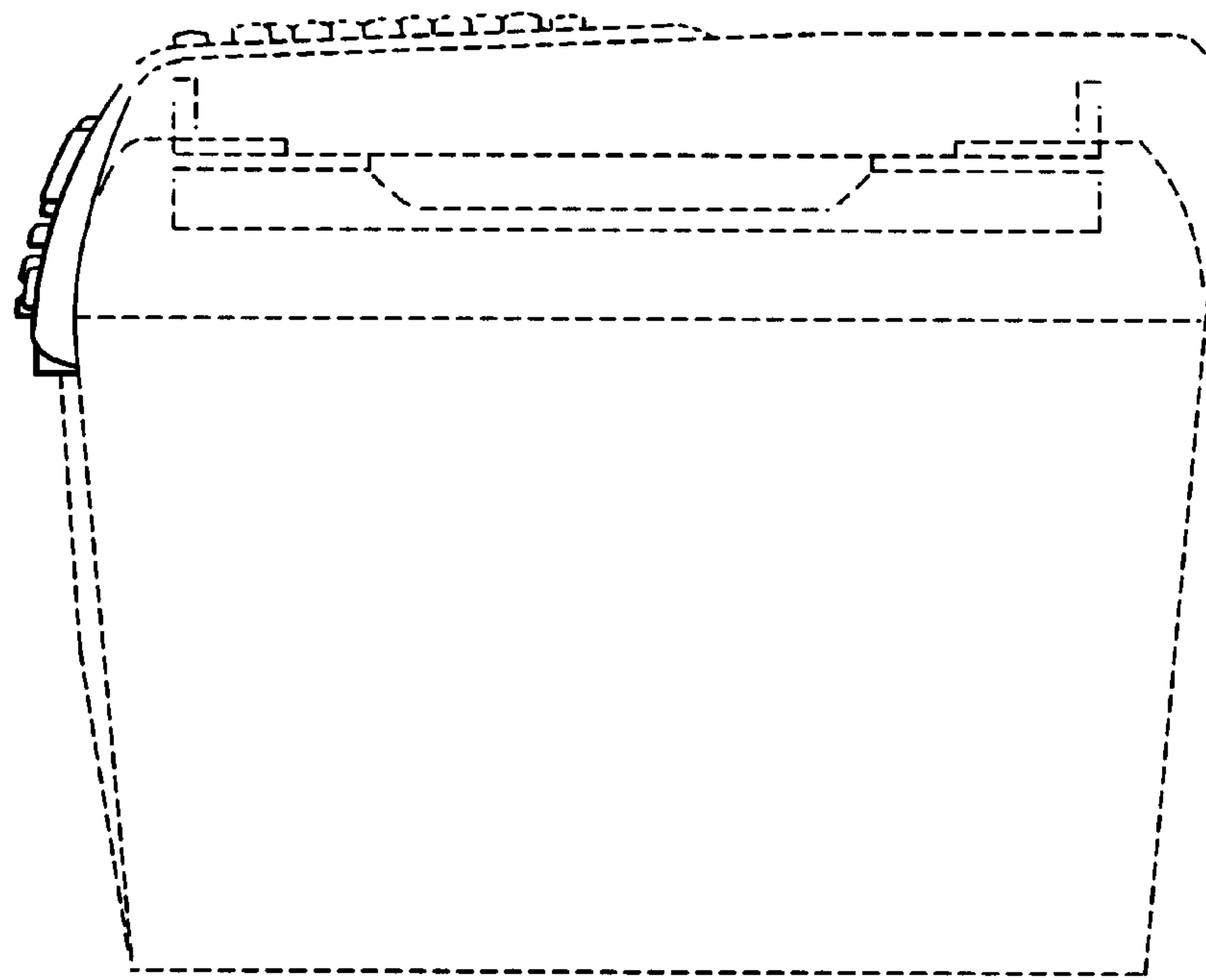


FIG. 5