



US00D534205S

(12) **United States Design Patent**
Workman et al.

(10) **Patent No.:** **US D534,205 S**

(45) **Date of Patent:** **** Dec. 26, 2006**

(54) **ELECTRONIC CUTTER**

(75) Inventors: **Robert Workman**, Mapleton, UT (US);
Desiree Tanner, San Clemente, CA
(US); **William Craig Youse**, Provo, UT
(US); **Jason B. Brinkerhoff**, Lindon,
UT (US); **Jonathan Aaron Johnson**,
Orem, UT (US); **Michael Horito**,
Provo, UT (US); **Gerry Ayala**, Provo,
UT (US); **Ken Yan**, Shenzhen (CN)

(73) Assignee: **Provo Craft and Novelty, Inc.**,
Spanish Fork, UT (US)

(**) Term: **14 Years**

(21) Appl. No.: **29/234,206**

(22) Filed: **Jul. 14, 2005**

(51) **LOC (8) Cl.** **18-04**

(52) **U.S. Cl.** **D18/34.9**; D18/56

(58) **Field of Classification Search** D18/34.1–34.9,
D18/99, 54, 50, 56; 83/167, 289, 302, 203,
83/523, 633; 241/169.1, 36, 154, 157, 222,
241/224, 168, 284, 295, 37.5, 285.1, 285.2,
241/100, 236; D8/99, 105; D7/381, 383;
D14/356, 443, 441; D13/83, 64; D19/65,
D19/72

See application file for complete search history.

(56) **References Cited**

U.S. PATENT DOCUMENTS

4,359,222	A	11/1982	Smith, III et al.	
D279,474	S	7/1985	Akagi et al.	
D302,684	S	8/1989	Akagi et al.	
D373,595	S	9/1996	Askren	
D375,119	S	10/1996	Pangburn	
D375,973	S	* 11/1996	Kennedy et al. D18/34.4
D382,256	S	8/1997	Lin	

(Continued)

OTHER PUBLICATIONS

“The Creative Cutter: Set Your Imagination Free: Instruction Manual.” Puzzles. pp. I–XII, 1–67.

“The Creative Cutter: Instruction Manual Insert.” Puzzles.
“Creative Cutter: Set Your Imagination Free.” Puzzles.
Spring 2005 Price List.
“Creative Cutter: Set Your Imagination Free.” Puzzles. Fall
2004 Price List.
“Wishblade Operation Manual.” Wishblade.
“Printing and Cutting with Wishblade Advanced.” Wish-
blade. 2004.
“Wishblade Personal Media Cutter: Wishblade WB100–20:
Introduction.” Wishblade.
“Summa DC3 Plus.” Digital Art Solutions.
“Software and Artwork Specials.” Digital Art Solutions.
“Why You Should Buy a Craft Cutter From Digital Art
Solutions.” Digital Art Solutions.
“D60 Review from Signs of the Times Magazine.” Digital
Art Solutions.
“Cutting Shapes and Text with Wishblade Basic or Wish-
blade Advanced.” Wishblade. 2004. pp. 1–2.
Operation Manual for Electronic Cutter (Chinese).
“Omega Series: Operator’s Manual: OM–60/OM–40.” DGI:
Digital Graphics Incorporation.

Primary Examiner—Charles A. Rademaker
(74) *Attorney, Agent, or Firm*—Morriss O’Bryant
Compagni

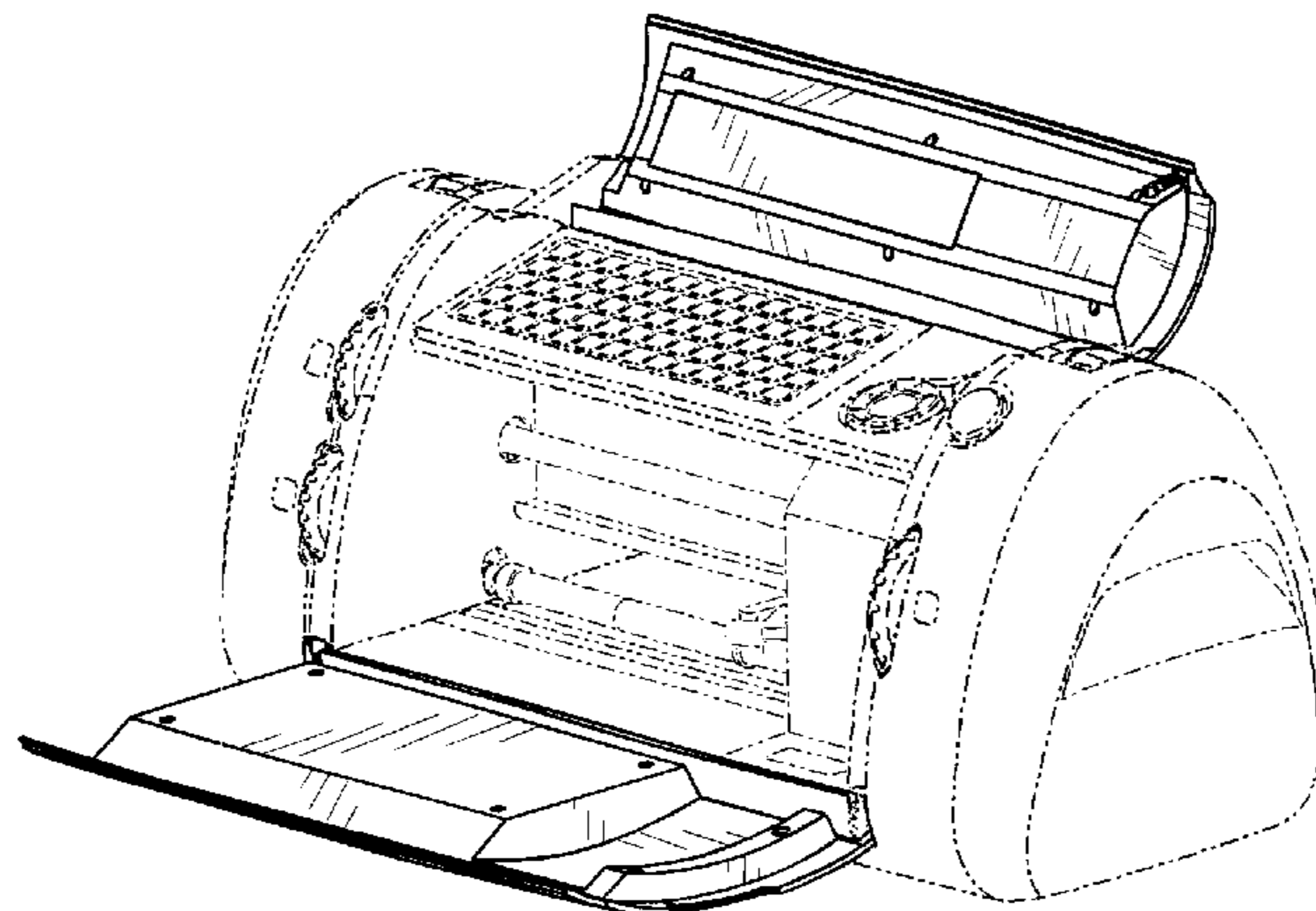
(57) **CLAIM**

The ornamental design for an electronic cutter, as shown and described.

DESCRIPTION

FIG. 1 is a top and front perspective view of an electronic cutter showing our new design;
FIG. 2 is a front elevation thereof;
FIG. 3 is a rear elevation thereof;
FIG. 4 is a top plan view thereof;
FIG. 5 is a bottom plan thereof;
FIG. 6 is a right side elevation thereof; and,
FIG. 7 is a left side elevation thereof.
The broken line showing of environment is for illustrative purposes only and forms no part of the claimed design.

1 Claim, 3 Drawing Sheets



US D534,205 S

Page 2

U.S. PATENT DOCUMENTS

5,692,424	A	*	12/1997	Wallace	83/167	6,676,050	B1	*	1/2004	Chang	241/100
5,796,388	A		8/1998	Yasuhara et al.			6,682,006	B1	*	1/2004	Lee	241/236
D399,251	S		10/1998	McGlashan			D489,083	S	*	4/2004	Orihashi et al.	D18/54
5,988,542	A	*	11/1999	Henreckson et al.	241/100	D489,084	S	*	4/2004	Tashiro et al.	D18/54
D421,768	S		3/2000	Blair et al.			6,722,764	B1	*	4/2004	Jones et al.	D18/56
D424,090	S		5/2000	Ko et al.			D489,401	S	*	5/2004	Senshiki et al.	D18/54
D439,608	S		3/2001	Gassett et al.			D489,754	S		5/2004	Akahane et al.		
D453,352	S		2/2002	Yamano et al.			D492,960	S	*	7/2004	Takizawa	D18/54
D454,583	S		3/2002	Whitby et al.			D497,940	S		11/2004	Hwang et al.		
D464,373	S	*	10/2002	Hwang et al.	D18/56	D499,759	S		12/2004	Kobayashi et al.		
D466,920	S		12/2002	Kawahara et al.			6,827,300	B1	*	12/2004	Lee	241/236
D466,922	S		12/2002	Tashiro			D505,154	S		5/2005	Wong et al.		
D474,806	S		5/2003	Yamano et al.			D509,545	S		9/2005	Nash		
D479,264	S		9/2003	Suzuki et al.			D517,596	S	*	3/2006	Suzuki et al.	D18/56

* cited by examiner

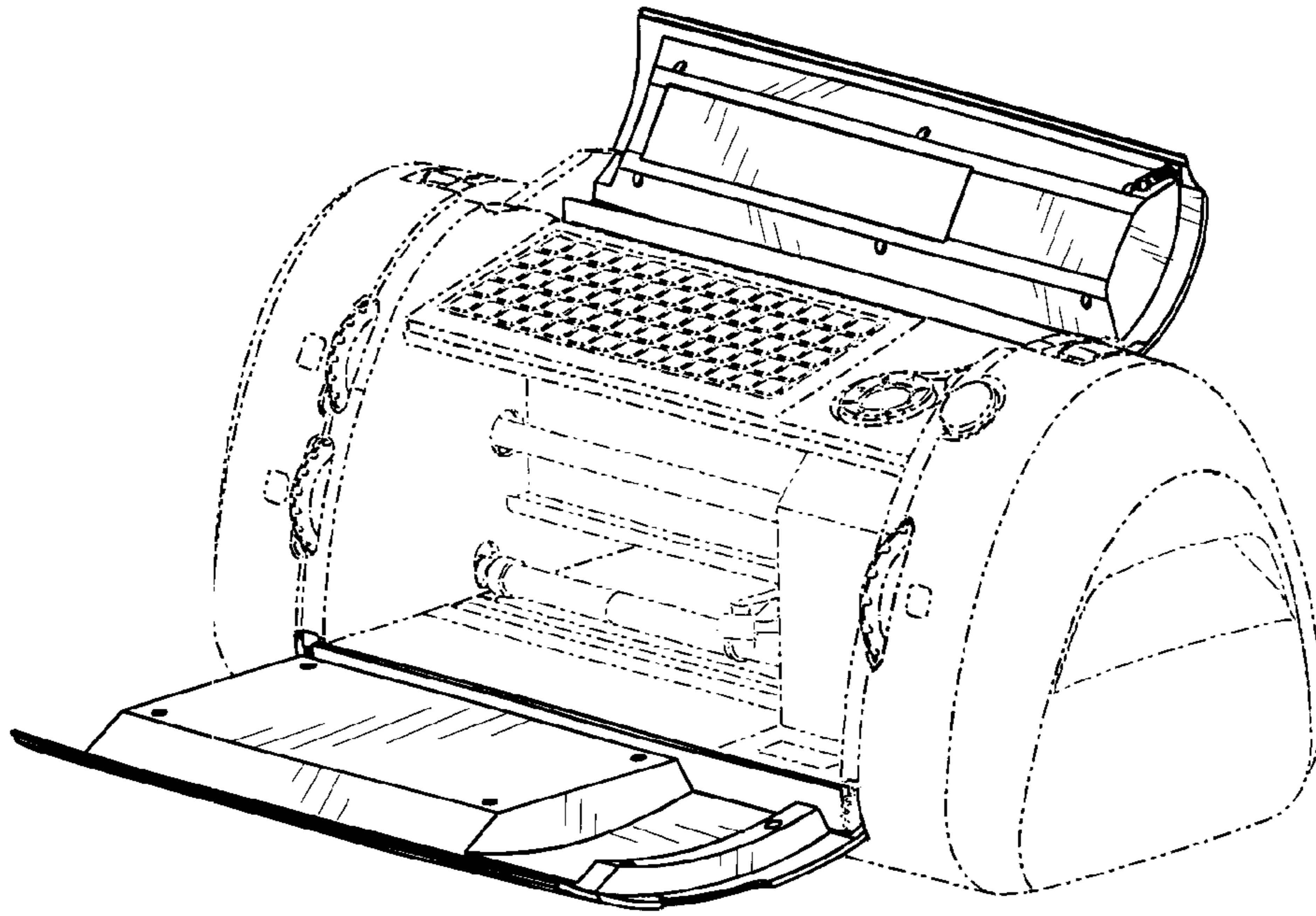


FIG. 1

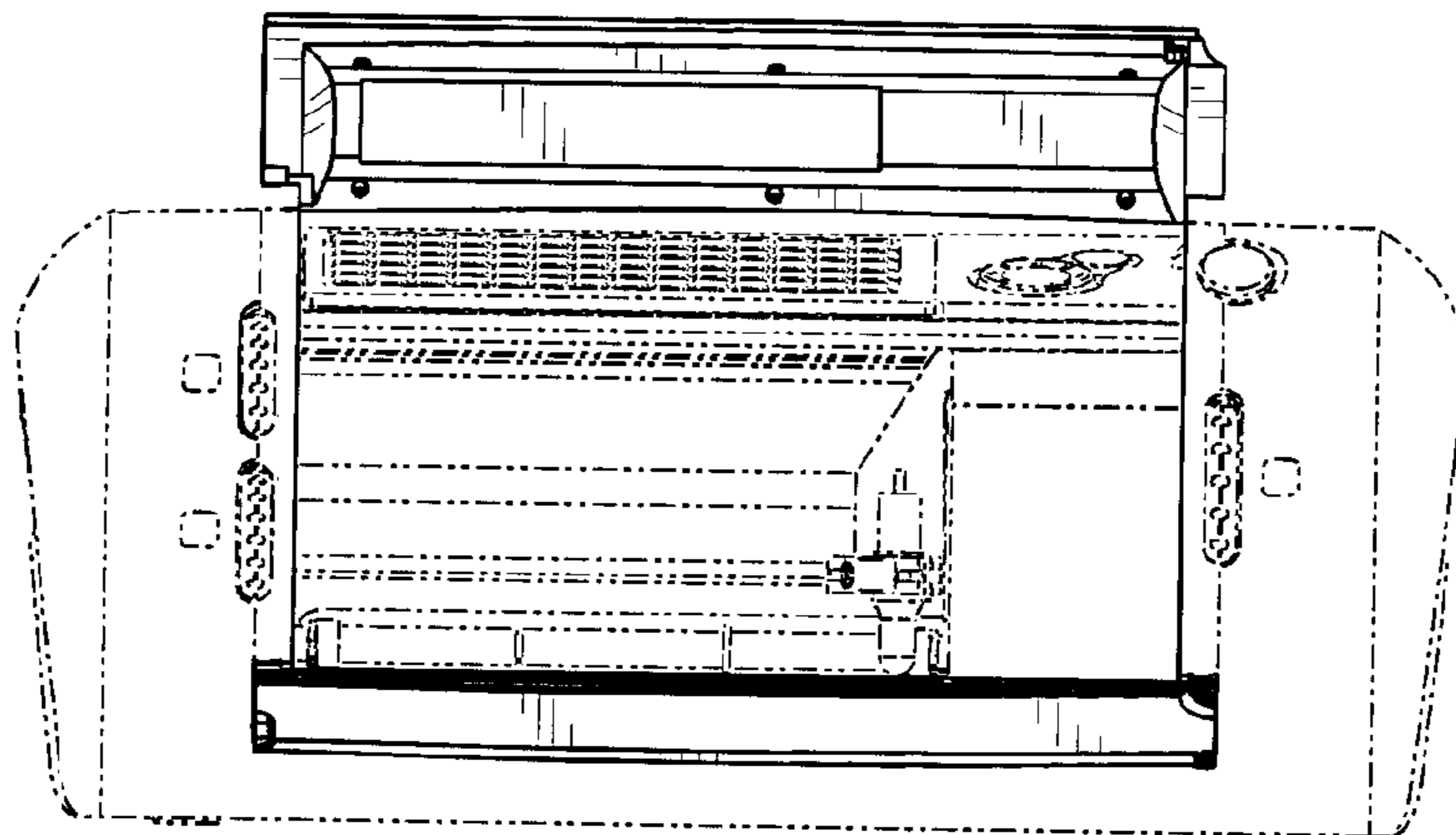


FIG. 2

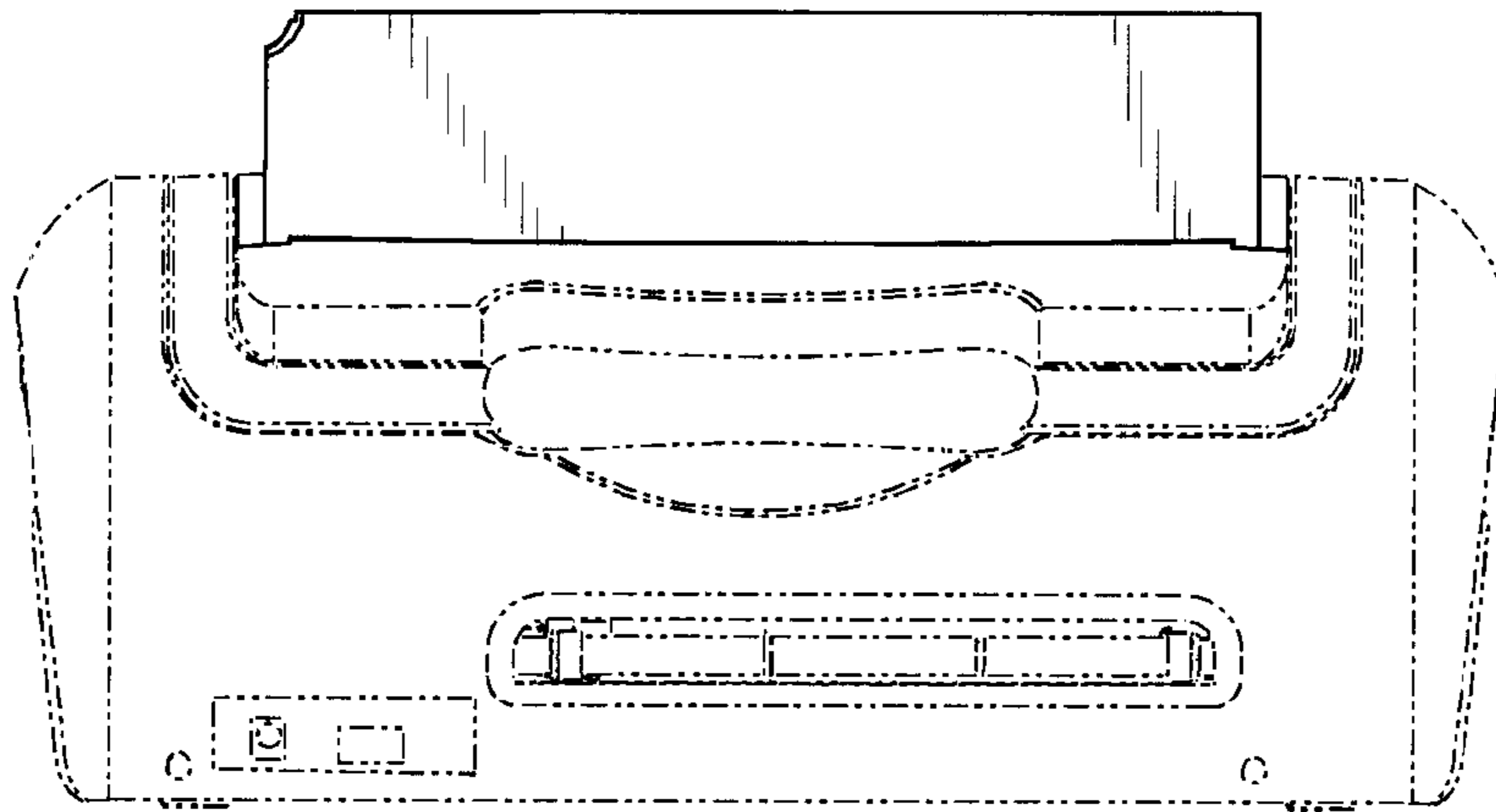


FIG. 3

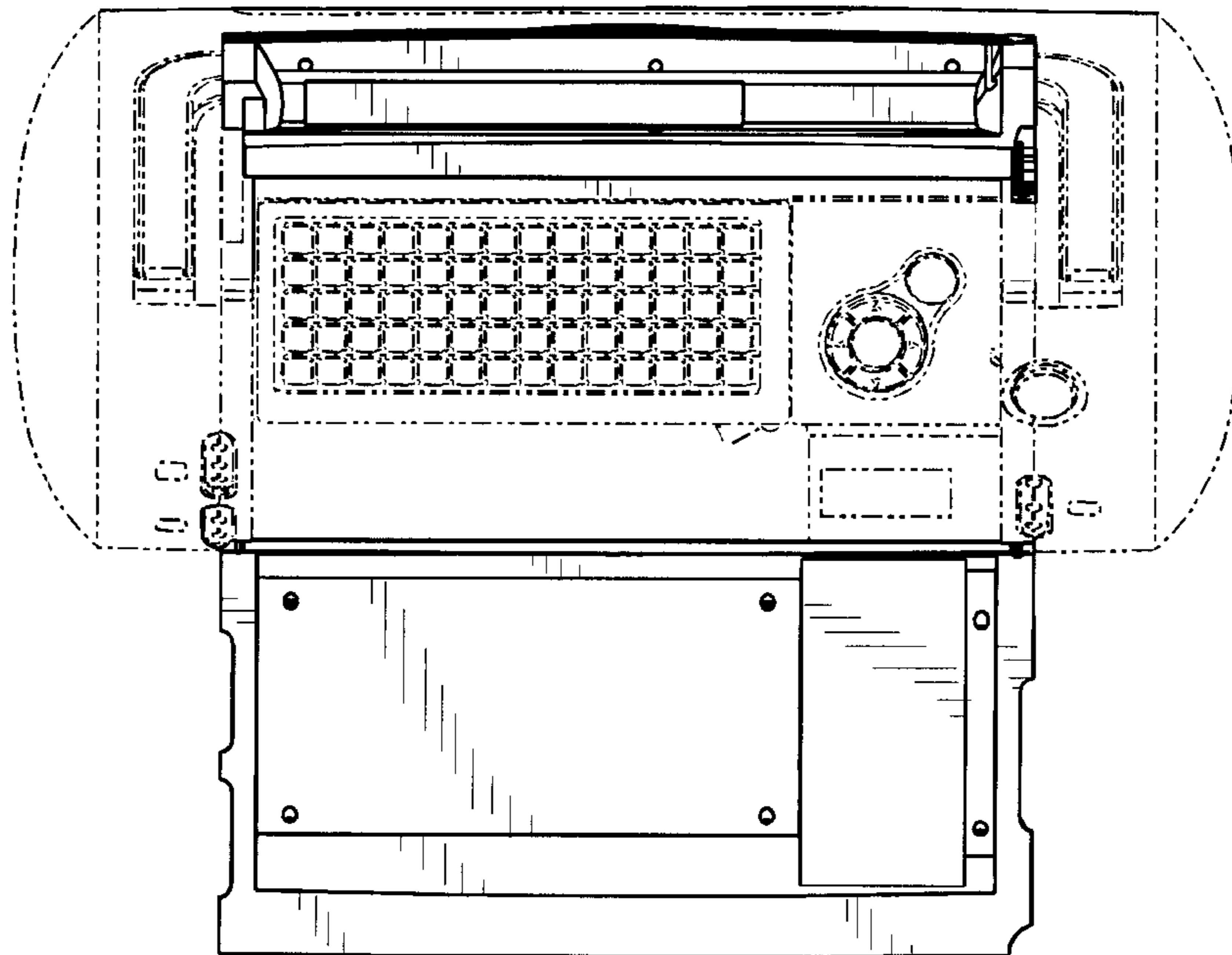


FIG. 4

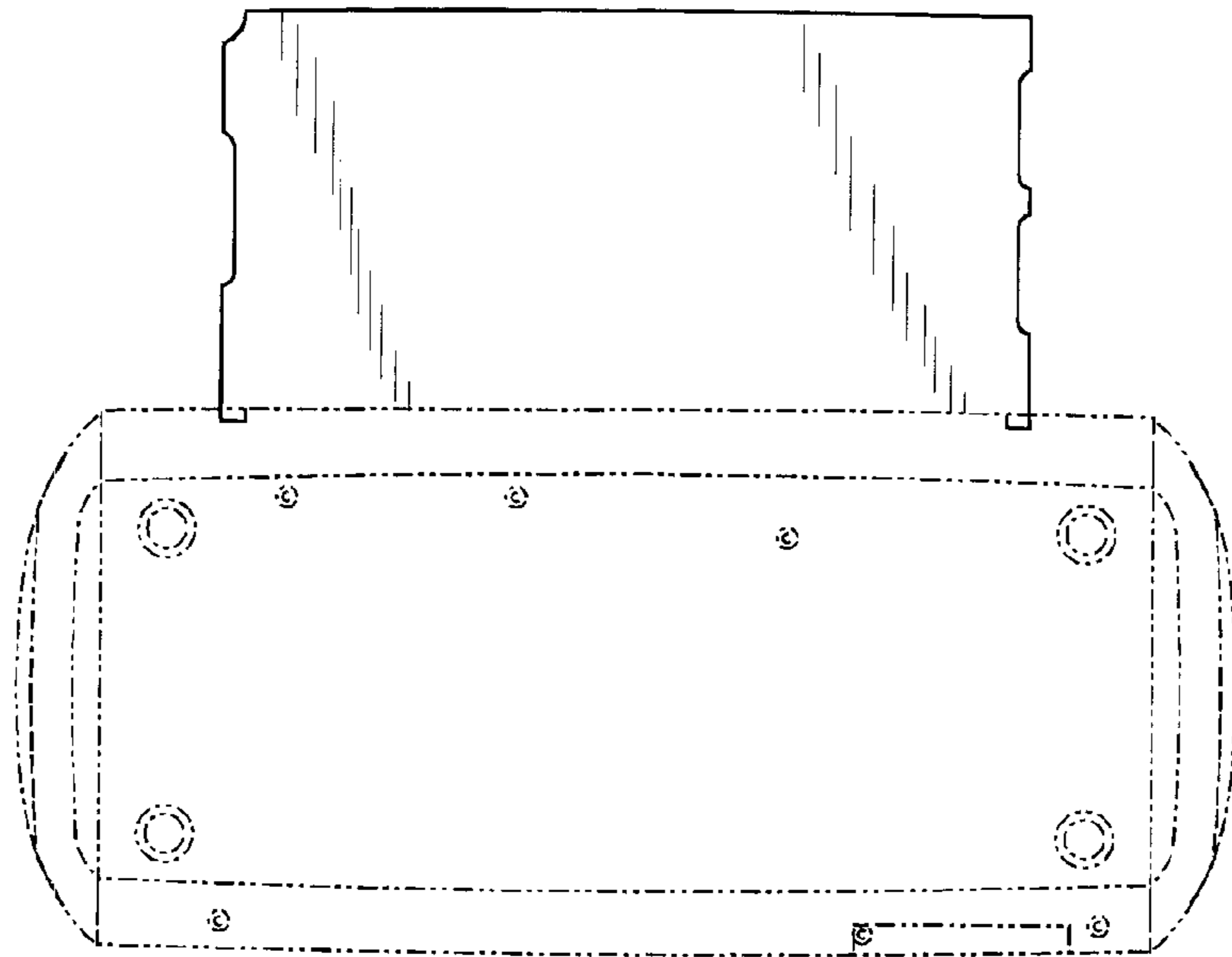


FIG. 5

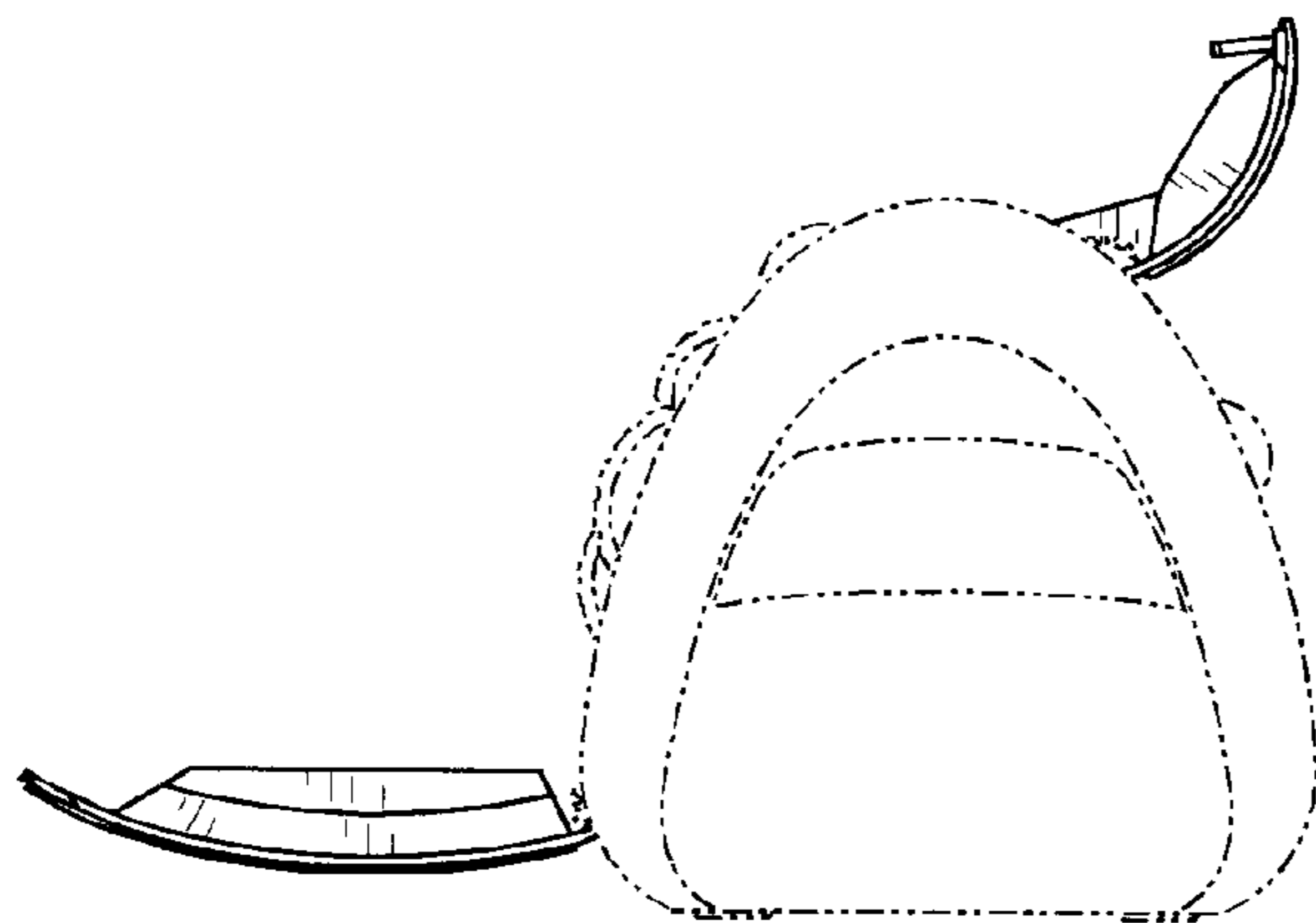


FIG. 6

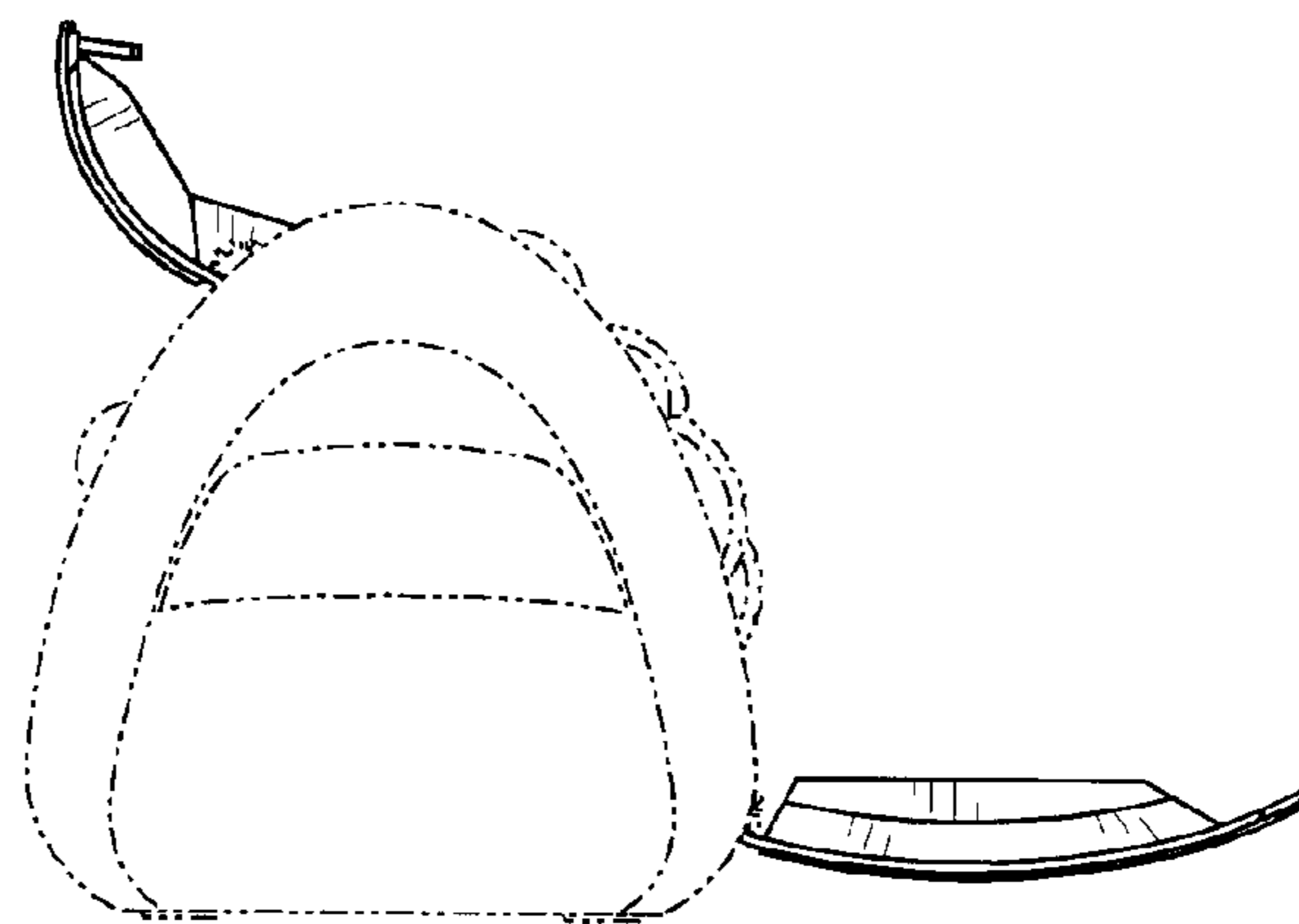


FIG. 7