



US00D534204S

(12) **United States Design Patent**
Workman et al.

(10) **Patent No.:** **US D534,204 S**

(45) **Date of Patent:** **** Dec. 26, 2006**

(54) **ELECTRONIC CUTTER**

(75) Inventors: **Robert Workman**, Mapleton, UT (US);
Desiree Tanner, San Clemente, CA
(US); **William Craig Youse**, Provo, UT
(US); **Jason B. Brinkerhoff**, Lindon,
UT (US); **Jonathan Aaron Johnson**,
Orem, UT (US); **Michael Horito**,
Provo, UT (US); **Gerry Ayala**, Provo,
UT (US); **Ken Yan**, Shenzhen (CN)

(73) Assignee: **Provo Craft and Novelty, Inc.**,
Spanish Fork, UT (US)

(**) Term: **14 Years**

(21) Appl. No.: **29/234,203**

(22) Filed: **Jul. 14, 2005**

(51) **LOC (8) Cl.** **18-04**

(52) **U.S. Cl.** **D18/34.3**

(58) **Field of Classification Search** D18/34.1–34.9,
D18/99, 54, 50; 83/167, 289, 302, 203, 523,
83/633; 241/169.1, 36, 154, 157, 222, 224,
241/168, 284, 295, 37.5, 285.1, 285.2, 100,
241/236; D8/99, 105; D7/381, 383; D14/356;
D13/83; D19/65, 72

See application file for complete search history.

(56) **References Cited**

U.S. PATENT DOCUMENTS

| | | | | |
|-----------|---|-----------|-------------------|----------------|
| 4,359,222 | A | 11/1982 | Smith, III et al. | |
| D279,474 | S | 7/1985 | Akagi et al. | |
| D302,684 | S | 8/1989 | Akagi et al. | |
| D373,595 | S | 9/1996 | Askren | |
| D375,119 | S | 10/1996 | Pangburn | |
| D375,973 | S | * 11/1996 | Kennedy et al. | D18/34.4 |
| D382,256 | S | 8/1997 | Lin | |

(Continued)

FOREIGN PATENT DOCUMENTS

GB 2057610 * 12/1996

OTHER PUBLICATIONS

“The Creative Cutter: Set Your Imagination Free: Instruction Manual.” Puzzles. pp. I–XII, 1–67.

“The Creative Cutter: Instruction Manual Insert.” Puzzles.

“Creative Cutter: Set You Imagination Free.” Puzzles. Spring 2005 Price List.

“Creative Cutter: Set Your Imagination Free.” Puzzles. Fall 2004 Price List.

“Wishblade Operation Manual.” Wishblade.

“Printing and Cutting with Wishblade Advanced.” Wishblade. 2004.

“Wishblade Personal Media Cutter: Wishblade WB100–20: Introduction.” Wishblade.

“Summa DC3 Plus.” Digital Art Solutions.

“Software and Artwork Specials.” Digital Art Solutions.

“Why You Should Buy a Craft Cutter From Digital Art Solutions.” Digital Art Solutions.

“D60 Review from Signs of the Times Magazine.” Digital Art Solutions.

“Cutting Shapes and Text with Wishblade Basic or Wishblade Advanced.” Wishblade. 2004. pp. 1–2.

Operation Manual for Electronic Cutter (Chinese).

“Omega Series: Operator’s Manual: OM–60/OM–40.” DGI: Digital Graphics Incorporation.

Primary Examiner—Charles A. Rademaker

(74) *Attorney, Agent, or Firm*—Morris O’Bryant Compagni, P.C.

(57) **CLAIM**

The ornamental design for an electronic cutter, as shown and described.

DESCRIPTION

FIG. 1 is a top and front perspective view of an electronic cutter showing our new design;

FIG. 2 is a front elevation thereof;

FIG. 3 is a rear elevation thereof;

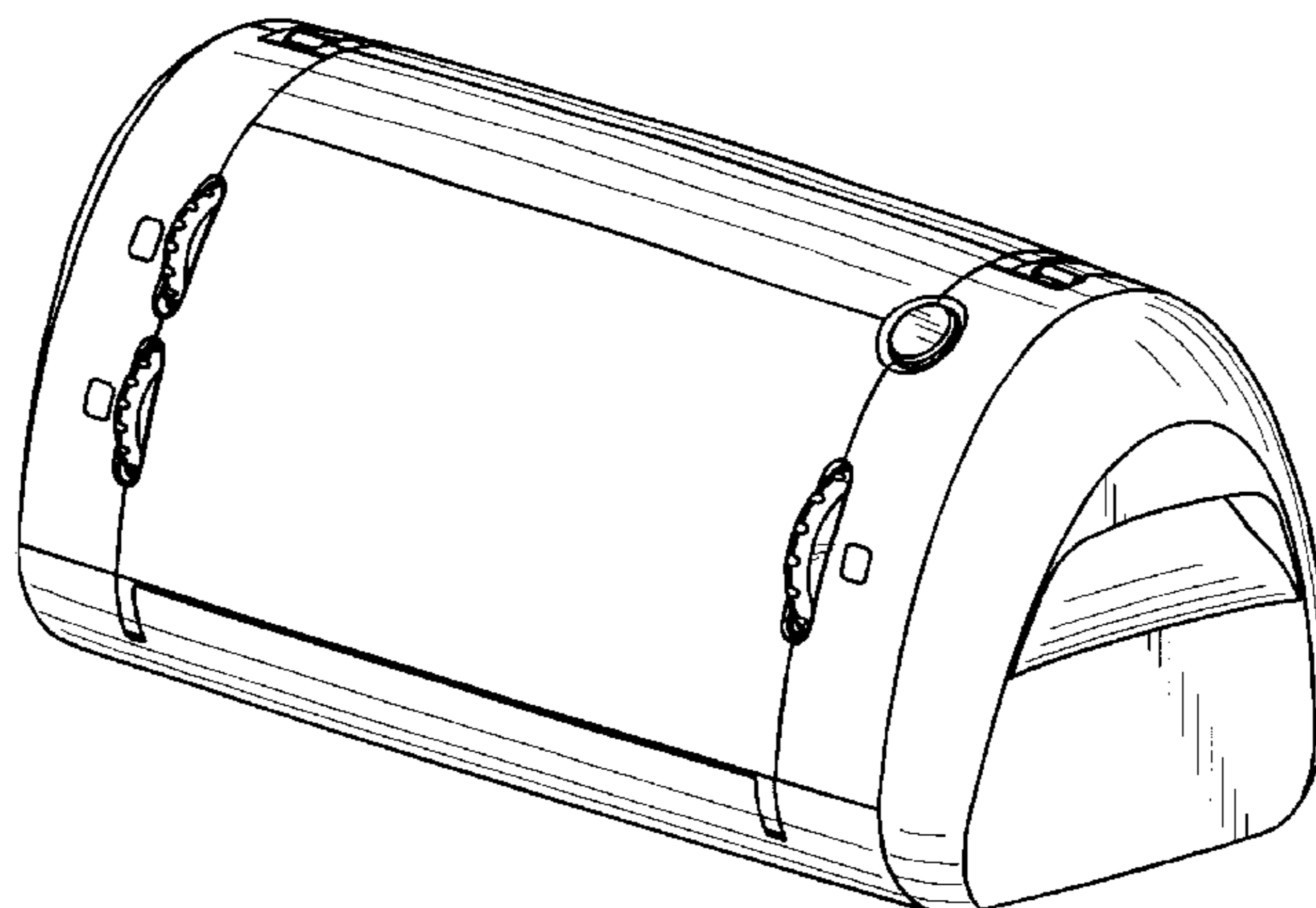
FIG. 4 is a top plan view thereof;

FIG. 5 is a bottom plan view thereof;

FIG. 6 is a right side elevation thereof; and,

FIG. 7 is a left side elevation thereof.

1 Claim, 2 Drawing Sheets



US D534,204 S

Page 2

U.S. PATENT DOCUMENTS

| | | | | | | | | |
|-----------|----|---|---------|-------------------|-------|----------|--|--|
| 5,692,424 | A | * | 12/1997 | Wallace | | 83/167 | | |
| D388,819 | S | * | 1/1998 | Huen | | D18/34.5 | | |
| 5,796,388 | A | | 8/1998 | Yasuhara et al. | | | | |
| D399,251 | S | | 10/1998 | McGlashan | | | | |
| 5,988,542 | A | * | 11/1999 | Henreckson et al. | | 241/100 | | |
| D421,768 | S | | 3/2000 | Blair et al. | | | | |
| D424,090 | S | | 5/2000 | Ko et al. | | | | |
| D439,608 | S | | 3/2001 | Gassett et al. | | | | |
| D453,352 | S | | 2/2002 | Yamano et al. | | | | |
| D454,583 | S | | 3/2002 | Whitby et al. | | | | |
| D466,920 | S | | 12/2002 | Kawahara et al. | | | | |
| D466,922 | S | | 12/2002 | Tashiro | | | | |
| D467,963 | S | * | 12/2002 | Miyahara et al. | | D18/54 | | |
| D474,806 | S | | 5/2003 | Yamano et al. | | | | |
| D479,264 | S | | 9/2003 | Suzuki et al. | | | | |
| 6,676,050 | B1 | * | 1/2004 | Chang | | 241/100 | | |
| 6,682,006 | B1 | * | 1/2004 | Lee | | 241/236 | | |
| D489,083 | S | * | 4/2004 | Orihashi et al. | | D18/54 | | |
| D489,084 | S | * | 4/2004 | Tashiro et al. | | D18/54 | | |
| D489,401 | S | * | 5/2004 | Senshiki et al. | | D18/54 | | |
| D489,754 | S | | 5/2004 | Akahane et al. | | | | |
| D492,960 | S | * | 7/2004 | Takizawa | | D18/54 | | |
| D497,940 | S | | 11/2004 | Hwang et al. | | | | |
| D499,759 | S | | 12/2004 | Kobayashi et al. | | | | |
| 6,827,300 | B1 | * | 12/2004 | Lee | | 241/236 | | |
| D505,154 | S | | 5/2005 | Wong et al. | | | | |
| D509,545 | S | | 9/2005 | Nash | | | | |

* cited by examiner

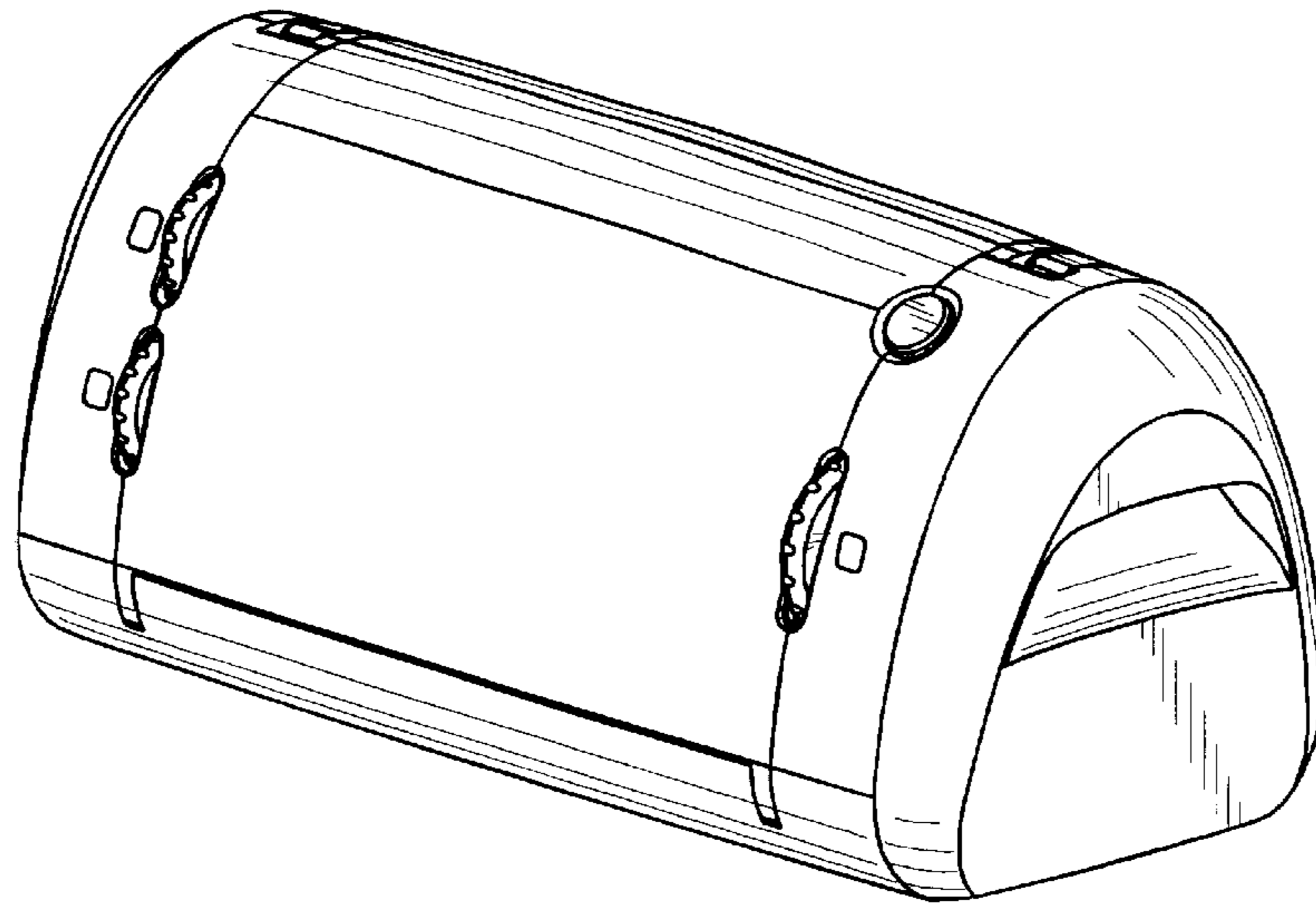


FIG. 1

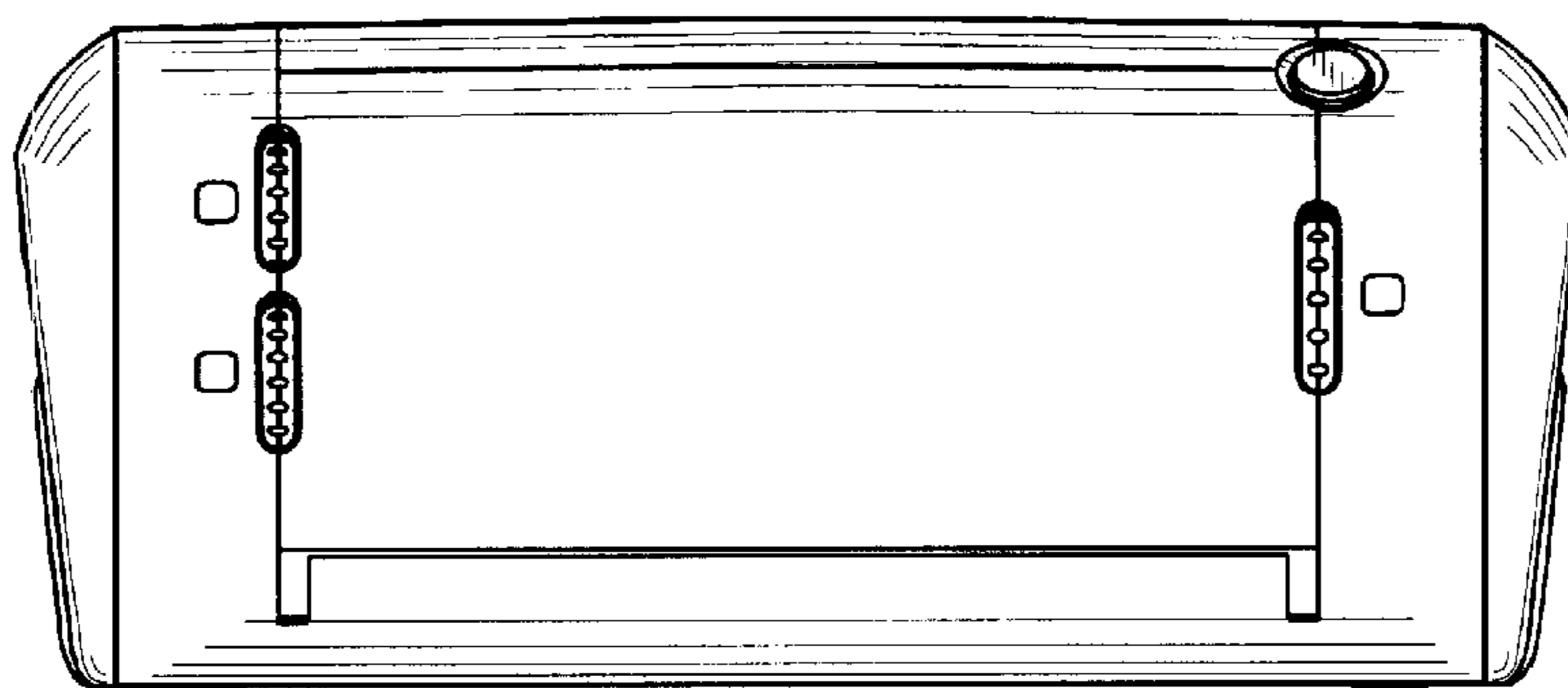


FIG. 2

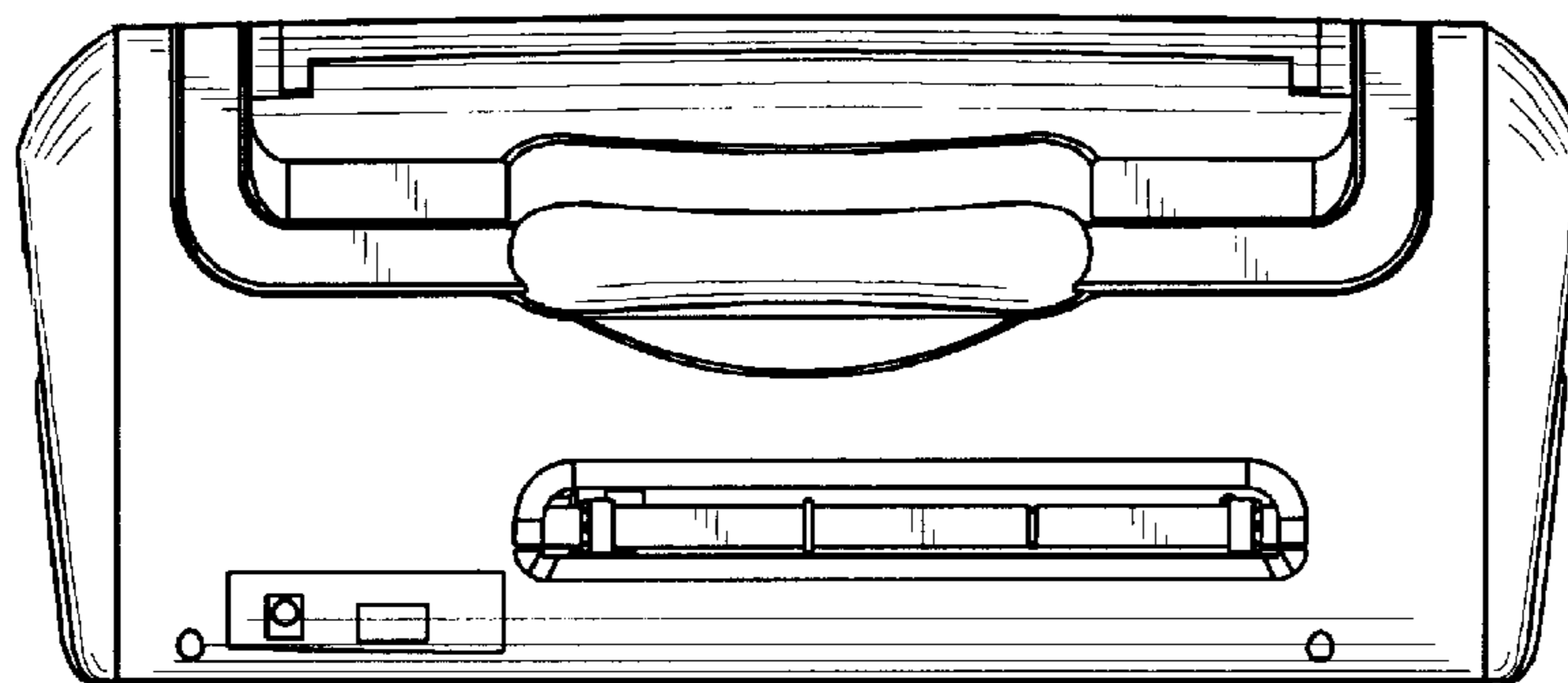


FIG. 3

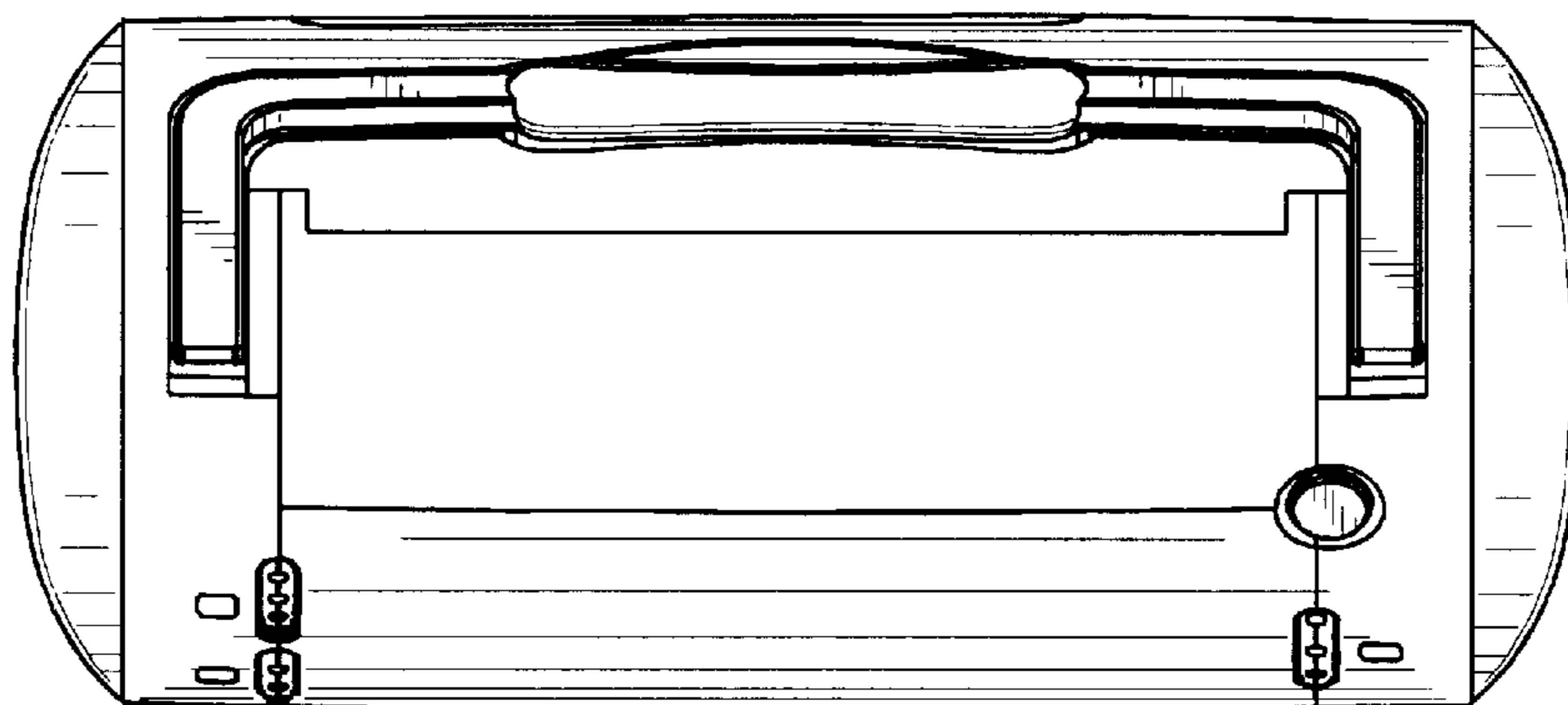


FIG. 4

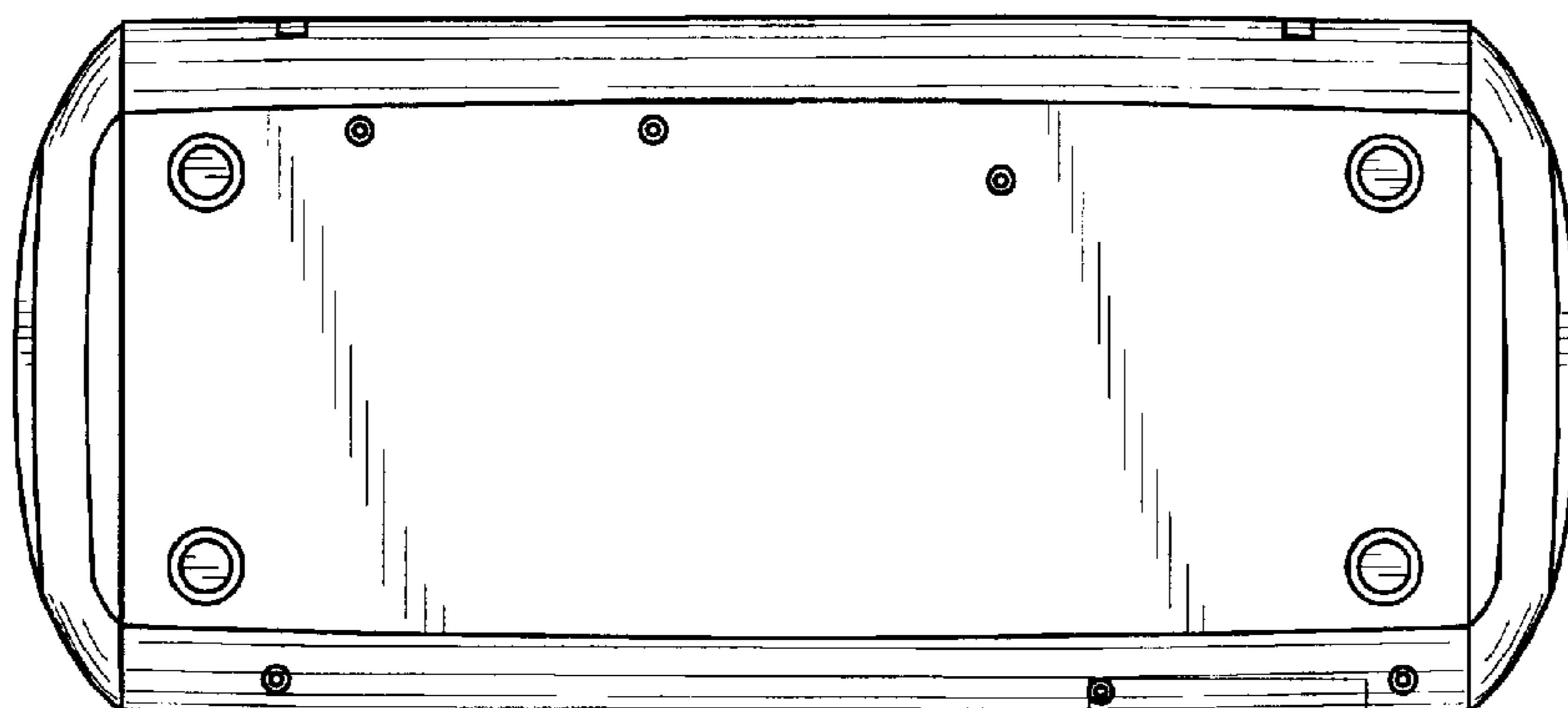


FIG. 5

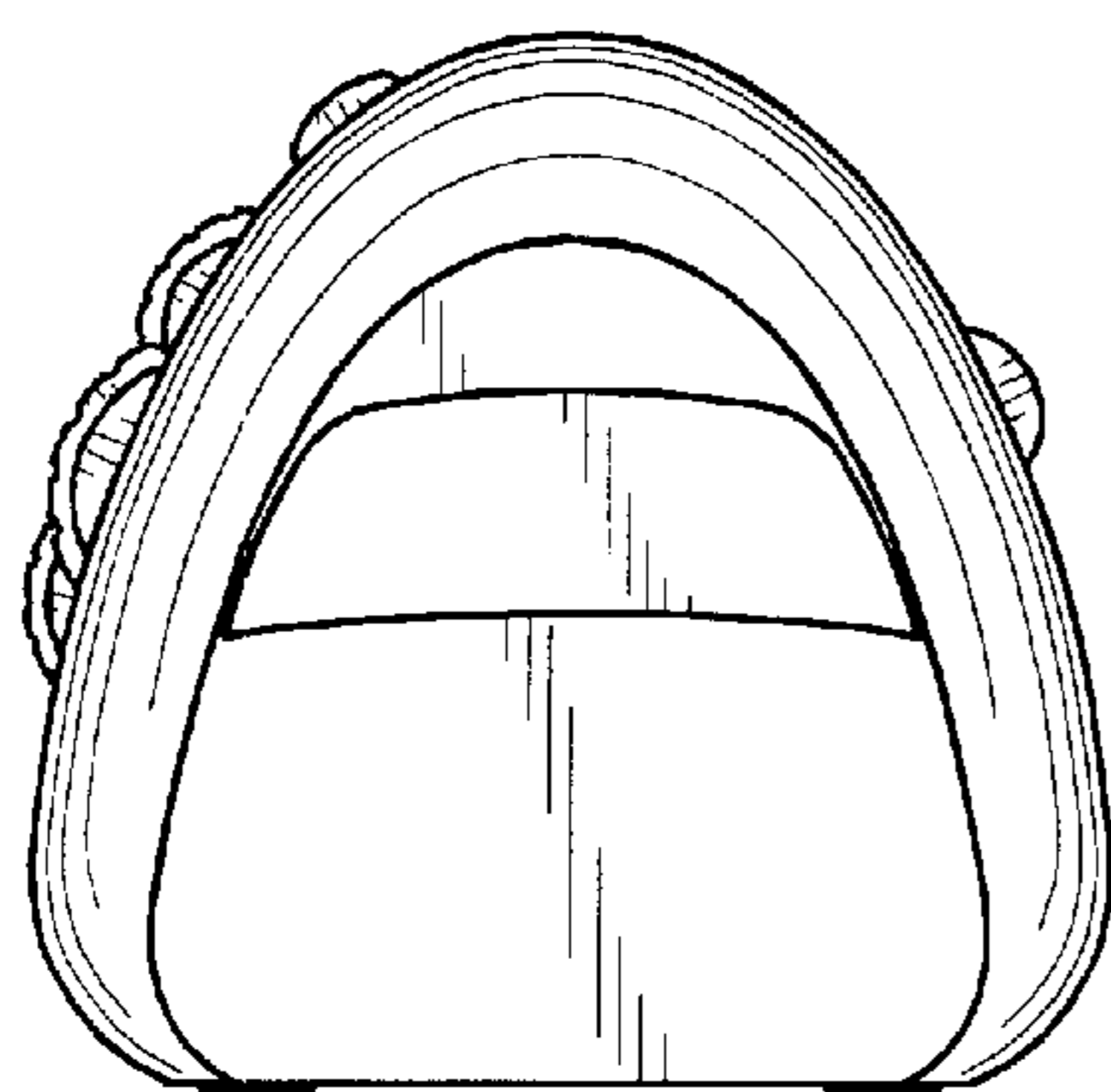


FIG. 6

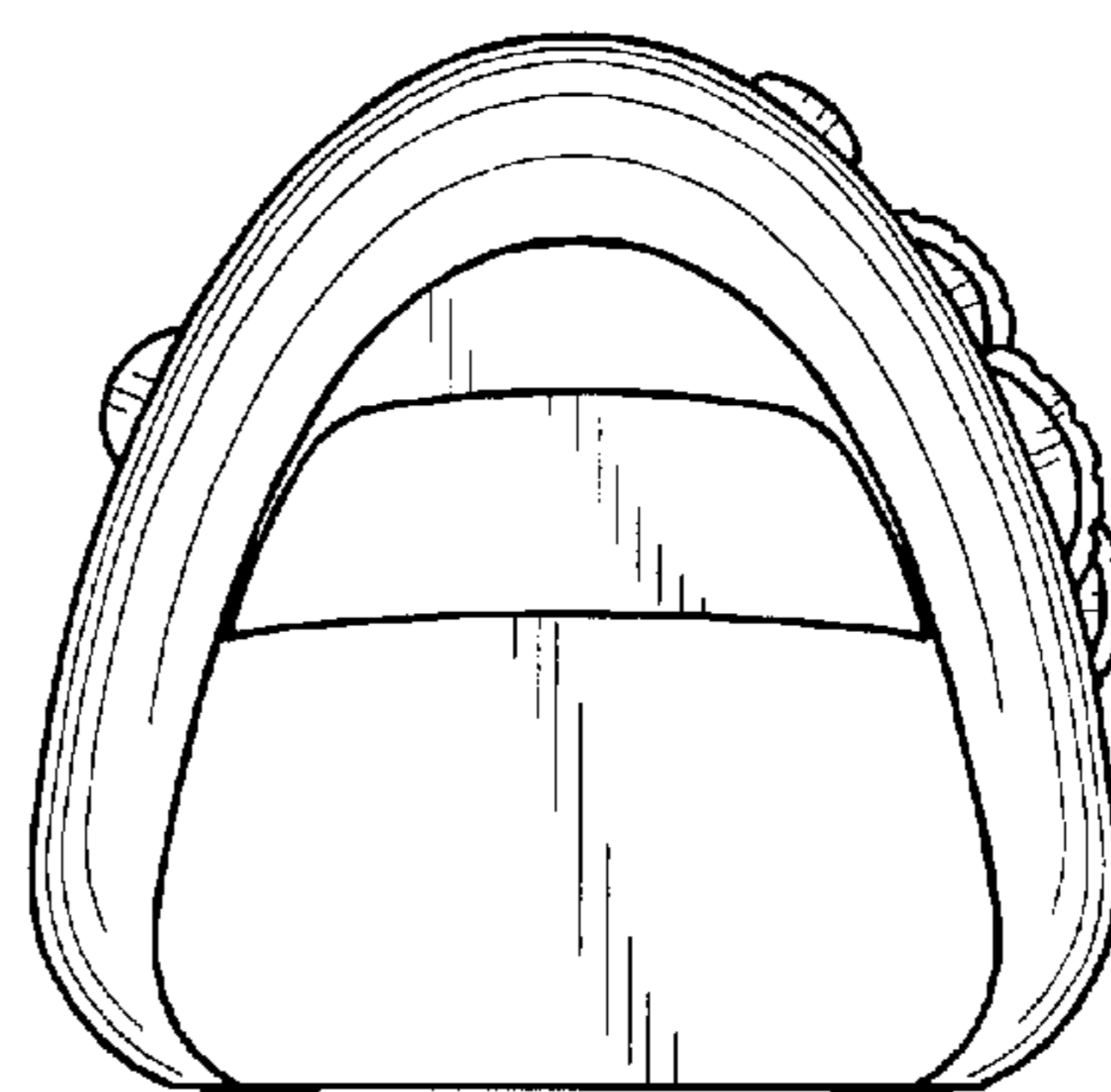


FIG. 7