



US00D534203S

(12) **United States Design Patent**
Harada et al.

(10) **Patent No.:** **US D534,203 S**

(45) **Date of Patent:** **** Dec. 26, 2006**

(54) **TAPE CARTRIDGE FOR TAPE PRINTING MACHINE**

(75) Inventors: **Hironori Harada**, Chiryu (JP);
Tsutomu Kato, Nagoya (JP); **Yoshihito Nonomura**, Gifu (JP); **Akira Ito**, Nagoya (JP); **Nobuo Kato**, Nagoya (JP)

(73) Assignee: **Brother Industries, Ltd.**, Nagoya (JP)

(**) Term: **14 Years**

(21) Appl. No.: **29/208,800**

(22) Filed: **Jul. 7, 2004**

D342,276 S	12/1993	Tsushima	
D349,895 S	* 8/1994	Gramuglia D14/476
D352,305 S	11/1994	Cooper	
D359,303 S	* 6/1995	Gray et al. D18/12
5,435,658 A	7/1995	Hasegawa	
D378,951 S	* 4/1997	Youngblood D14/483
5,618,119 A	* 4/1997	Misu et al. 400/208
5,620,268 A	* 4/1997	Yamaguchi et al. 400/207
5,653,542 A	8/1997	Sugimoto et al.	
D384,055 S	* 9/1997	Luo D14/476
5,771,803 A	* 6/1998	Takami 400/208
5,813,773 A	9/1998	Kawai	
D399,839 S	* 10/1998	Paloheimo et al. D14/483
5,949,467 A	* 9/1999	Gunther et al. 347/214
6,003,985 A	* 12/1999	Bekki 347/86

(Continued)

Related U.S. Application Data

(63) Continuation-in-part of application No. 29/170,477, filed on Nov. 7, 2002, now abandoned, and a continuation-in-part of application No. 29/170,868, filed on Nov. 14, 2002, now abandoned.

(30) **Foreign Application Priority Data**

May 15, 2002	(JP)	2002-12902
May 15, 2002	(JP)	2002-12903

(51) **LOC (8) Cl.** **18-01**

(52) **U.S. Cl.** **D18/12**

(58) **Field of Classification Search** D18/12, D18/36, 40, 43, 44, 56; D14/562, 469-471, D14/474-484; 222/DIG. 1; 347/49, 86, 87, 347/197, 214, 222; 399/24-28, 107-112, 399/119, 222-224; 400/194, 196, 207, 208
See application file for complete search history.

(56) **References Cited**

U.S. PATENT DOCUMENTS

D197,892 S	*	4/1964	Pastor	D14/475
D211,791 S		7/1968	Adell		
D224,683 S		8/1972	Wada et al.		
D246,306 S	*	11/1977	Kishi	D14/476
D281,333 S		11/1985	Nibley et al.		
D305,549 S		1/1990	Bellini		
D311,416 S		10/1990	Richardson et al.		
D342,275 S		12/1993	Cooper		

FOREIGN PATENT DOCUMENTS

GB 2037151 8/1993

Primary Examiner—Robert M. Spear

Assistant Examiner—Garth Rademaker

(74) *Attorney, Agent, or Firm*—Oliff & Berridge, PLC

(57) **CLAIM**

The ornamental design for a tape cartridge for tape printing machine, as shown and described.

DESCRIPTION

FIG. 1 is a perspective view of a tape cartridge for tape printing machine;

FIG. 2 is an enlarged perspective view thereof;

FIG. 3 is a front view thereof;

FIG. 4 is a top view thereof;

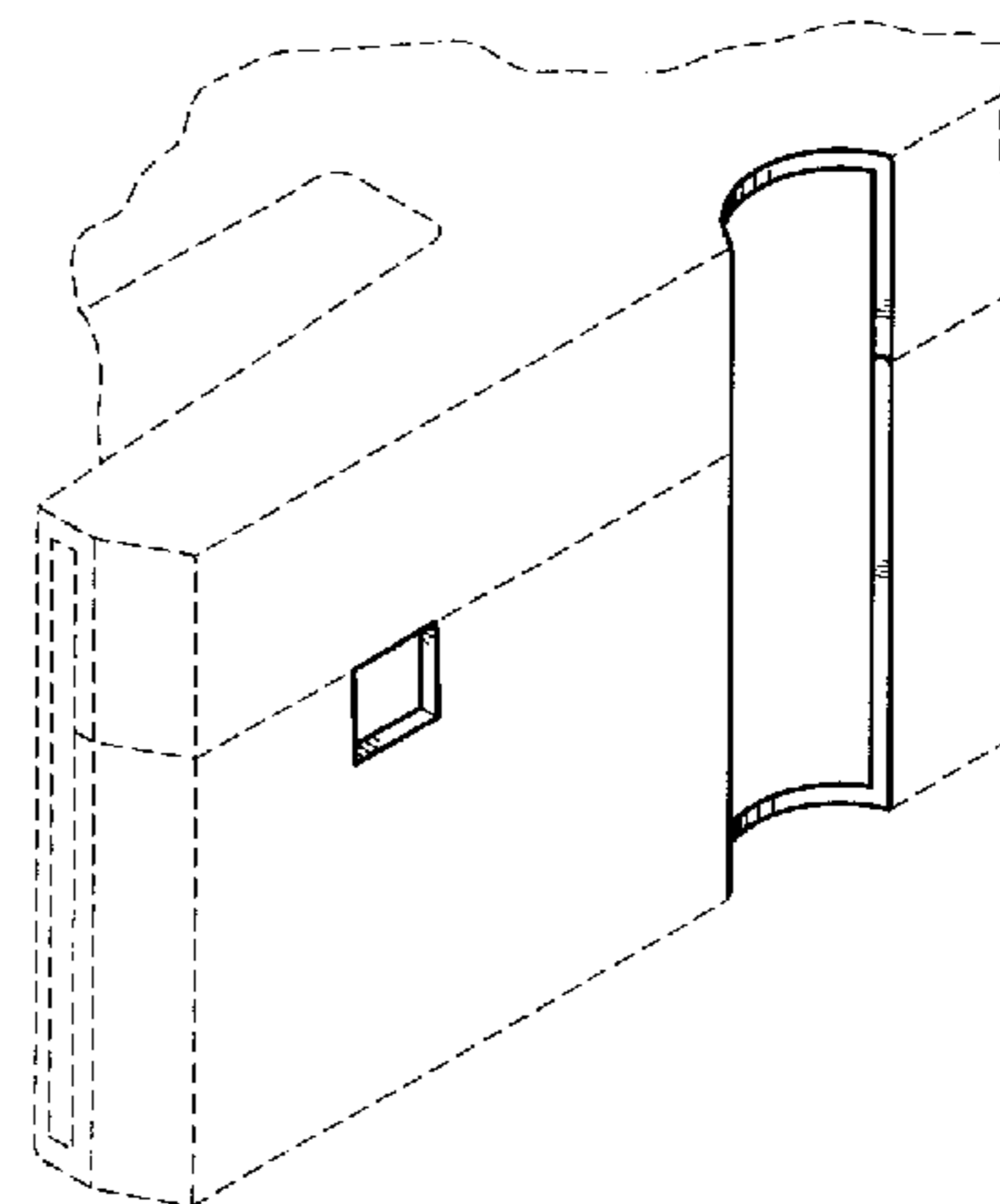
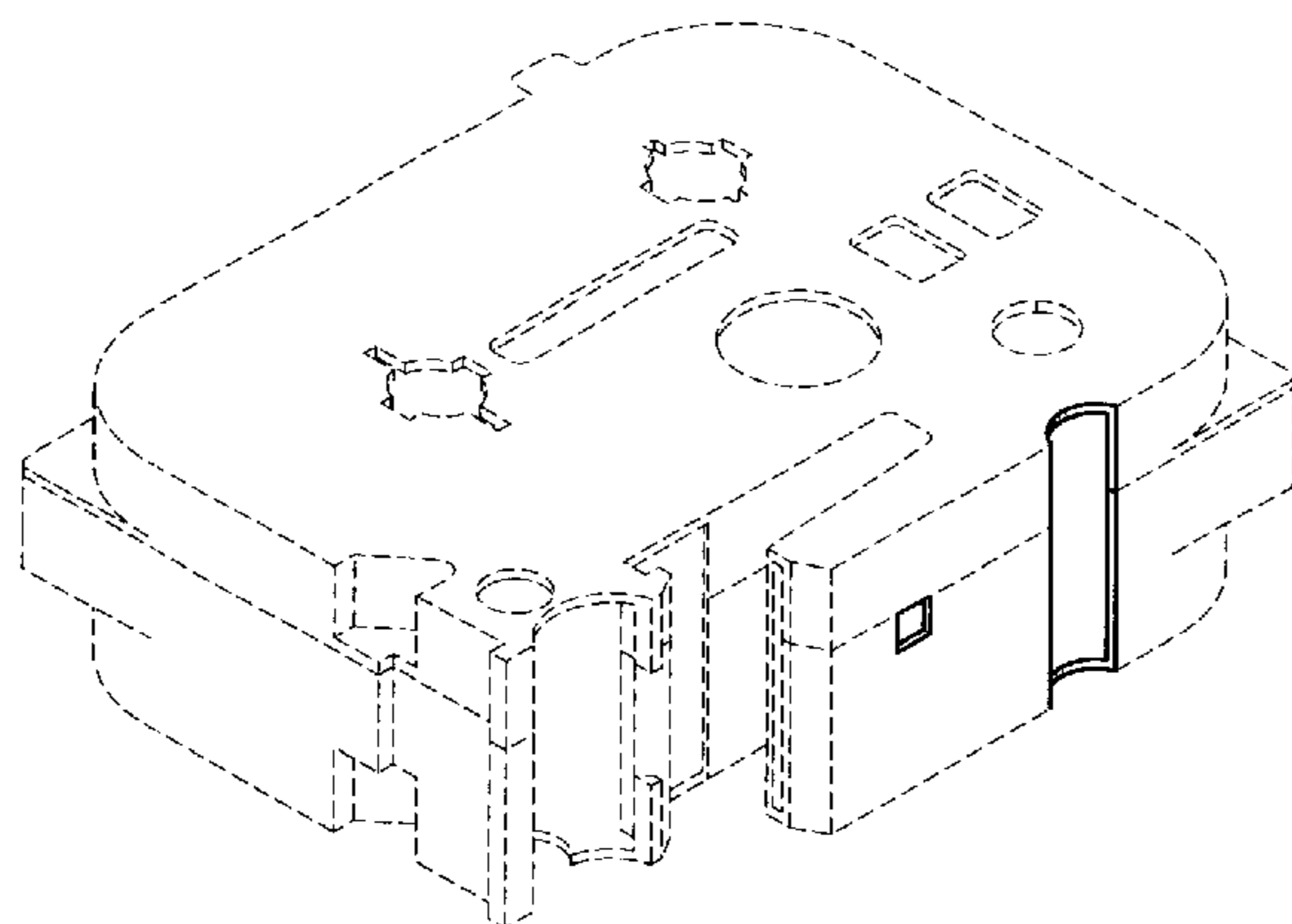
FIG. 5 is a bottom view thereof;

FIG. 6 is an enlarged partial cross-sectional view thereof taken along the lines 6—6 of FIG. 3 and between the arrows 6' of FIG. 4; and,

FIG. 7 is an enlarged partial cross-sectional view thereof taken along the lines 7—7 of FIG. 3 and between the arrows 7' of FIG. 4.

The broken line showing is for illustrative purposes only and forms no part of the claimed design.

1 Claim, 3 Drawing Sheets



US D534,203 S

Page 2

U.S. PATENT DOCUMENTS			
		6,520,696 B1 *	2/2003 Huss et al. 400/208
		D517,597 S *	3/2006 Andoh D18/56
		D518,096 S *	3/2006 Andoh D18/56
D432,561 S	10/2000	Shimamura et al.	
D435,589 S	12/2000	Huss	
6,485,206 B1 *	11/2002	Takahashi	400/207 * cited by examiner

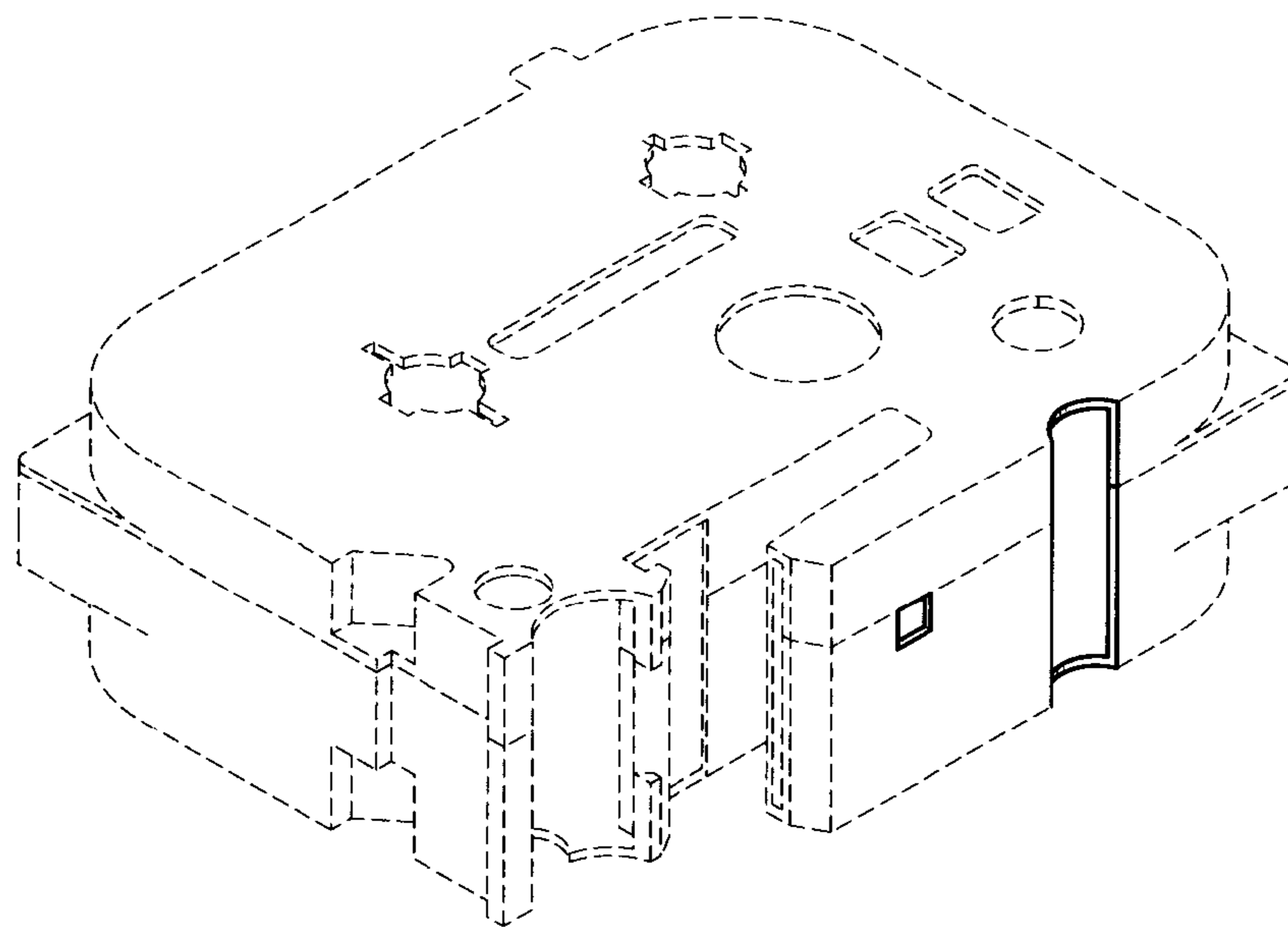


Fig. 1

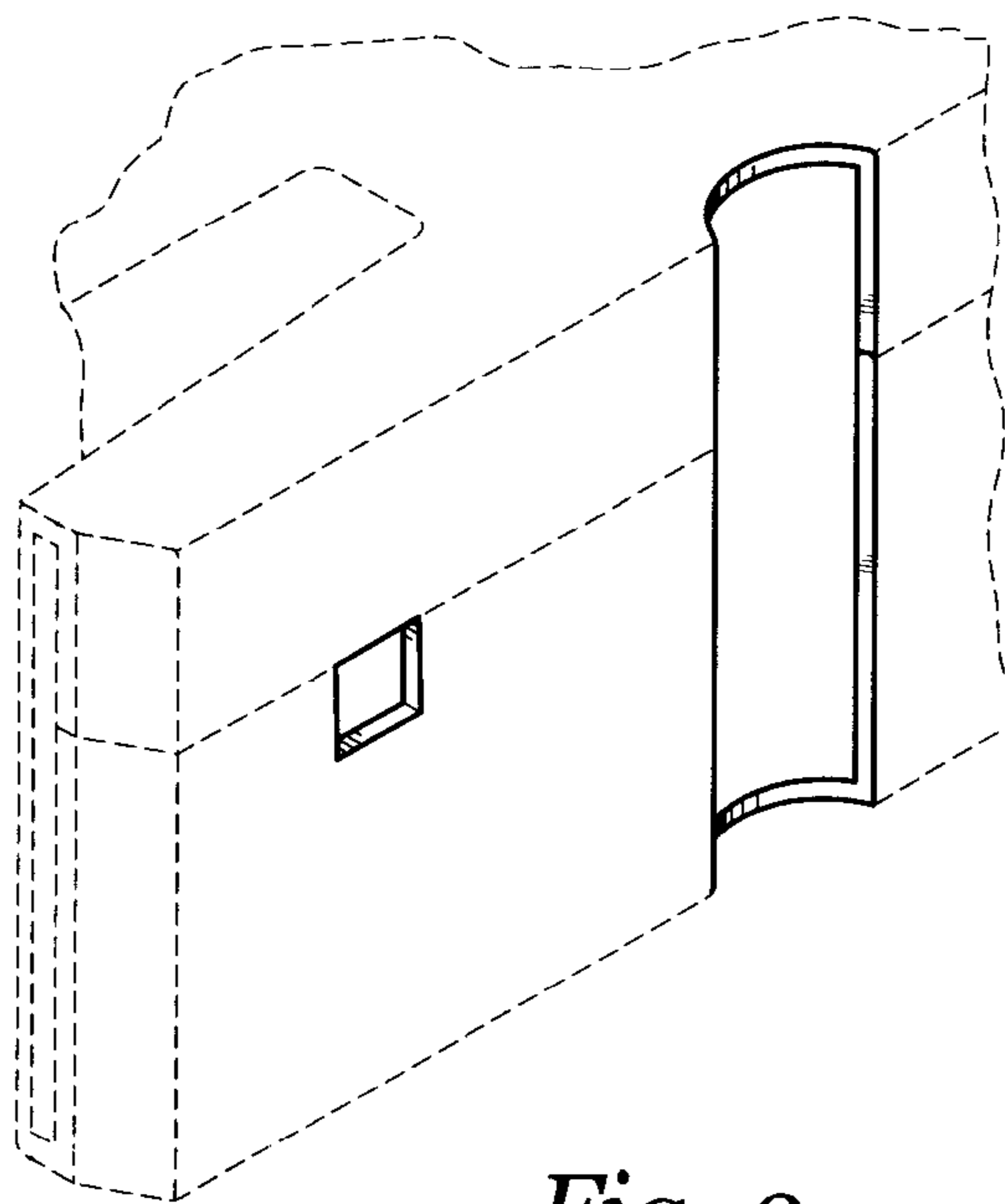


Fig. 2

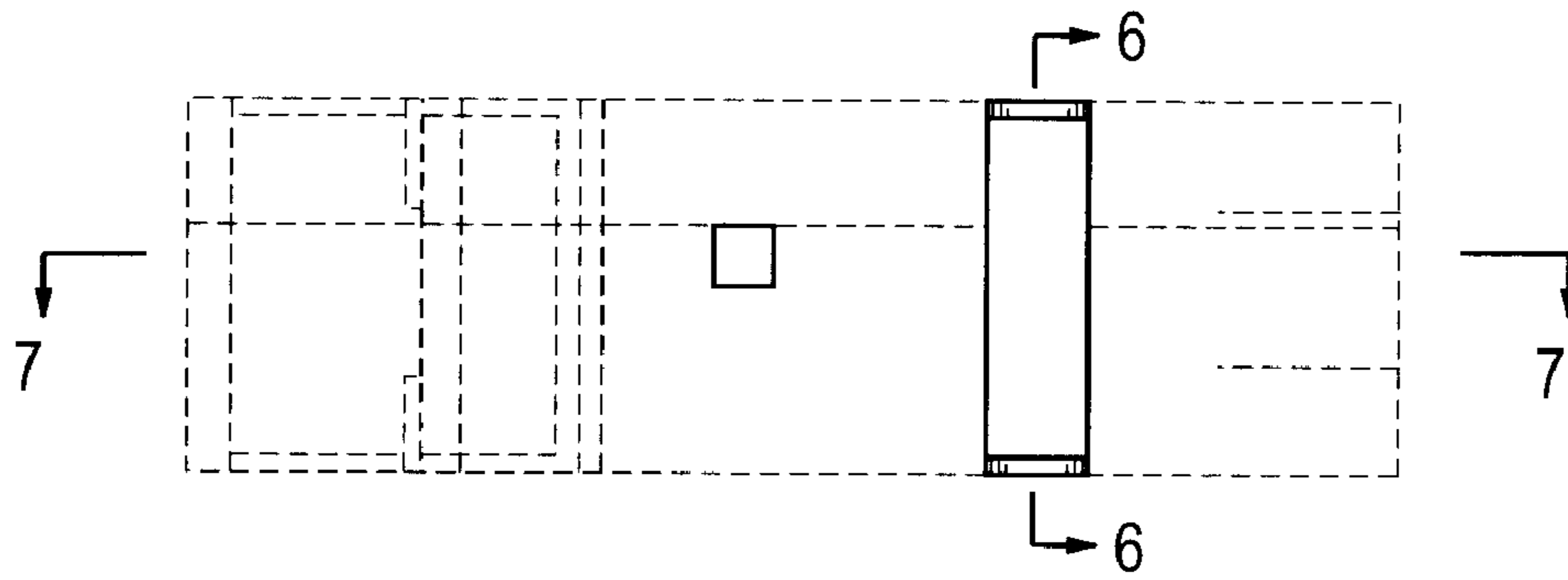


Fig. 3

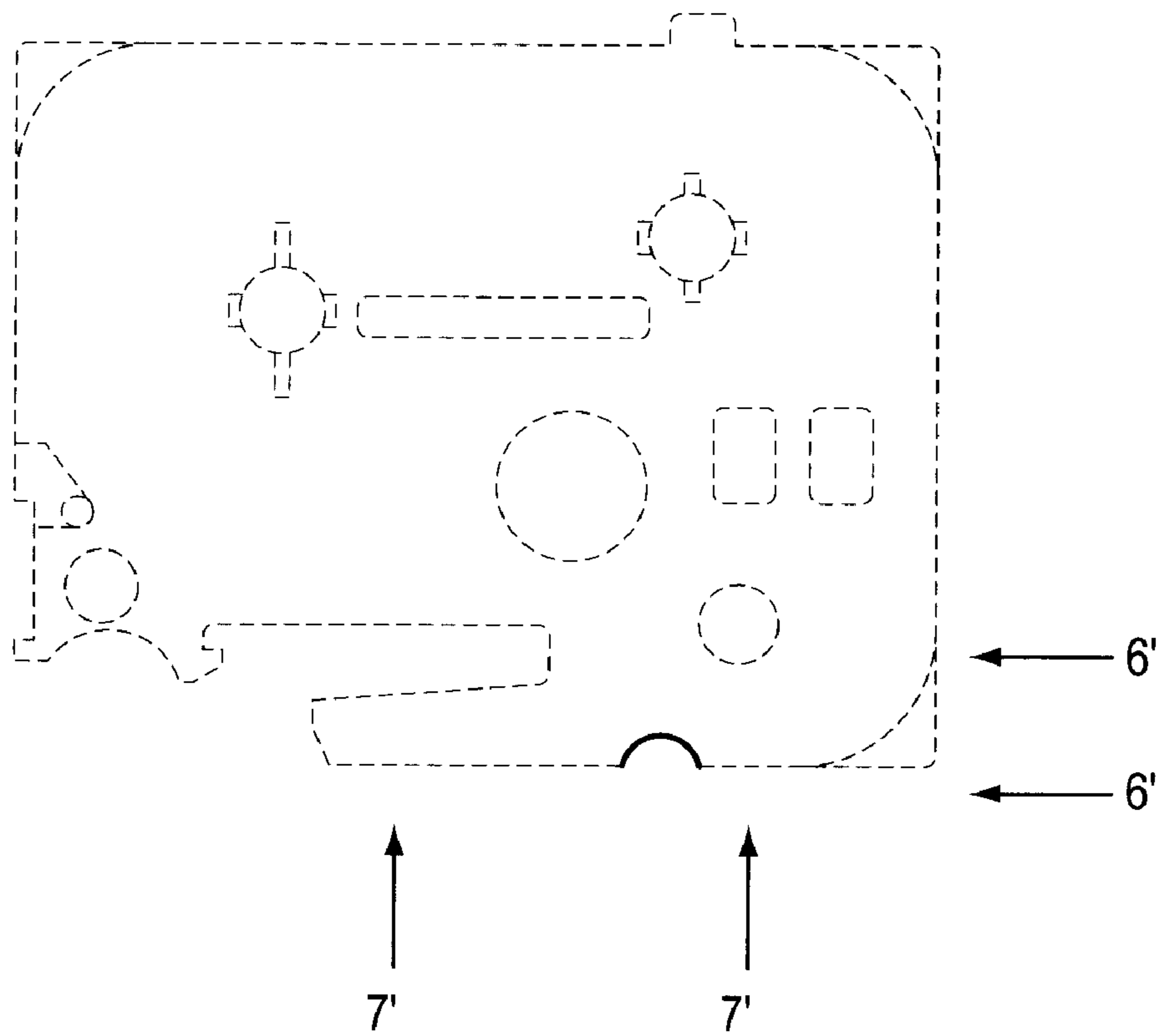


Fig. 4

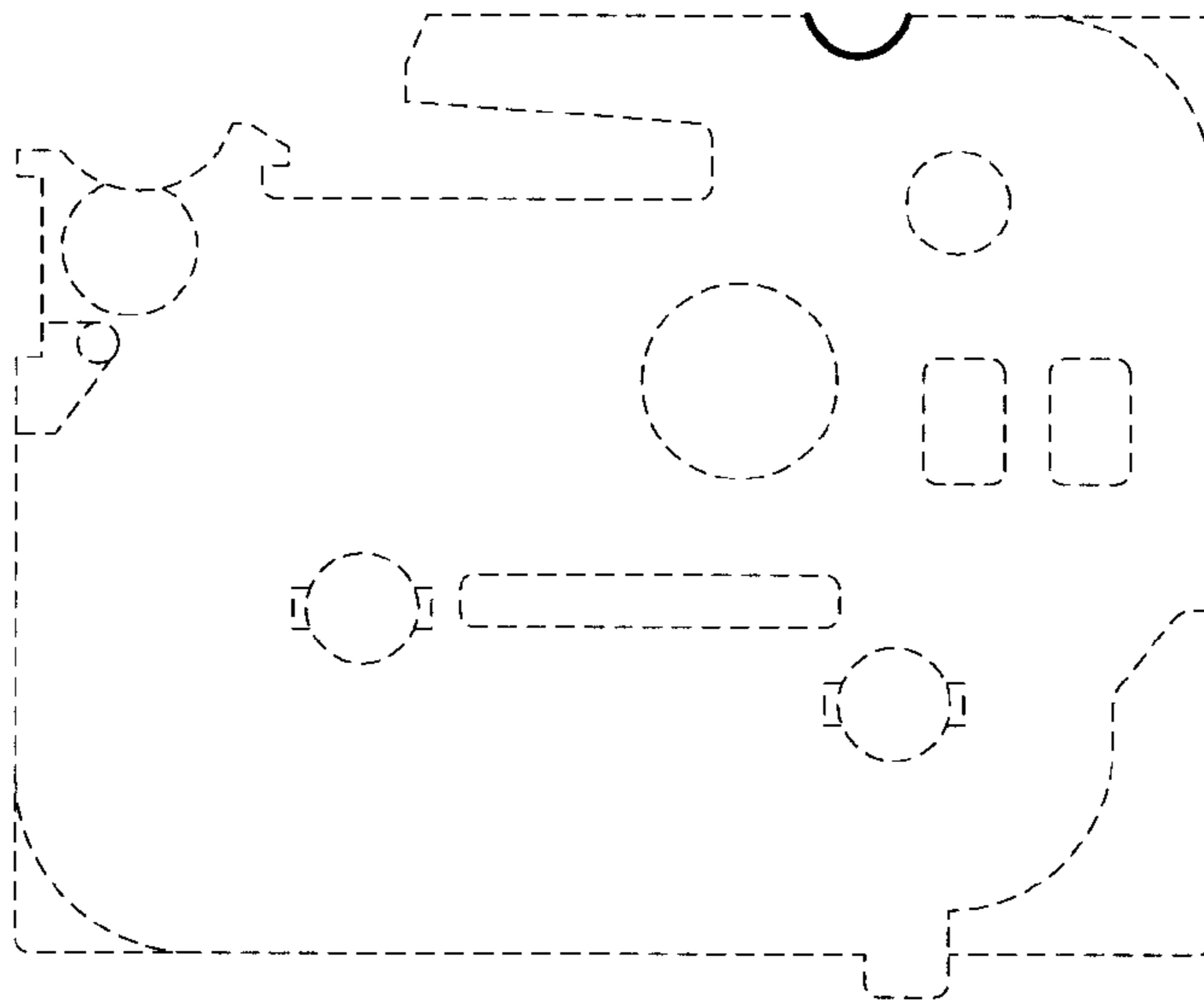


Fig. 5

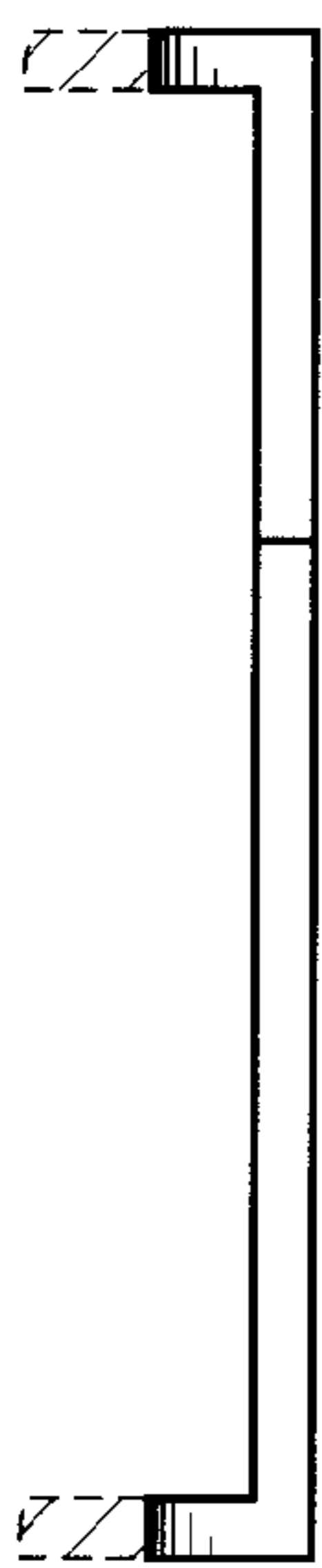


Fig. 6

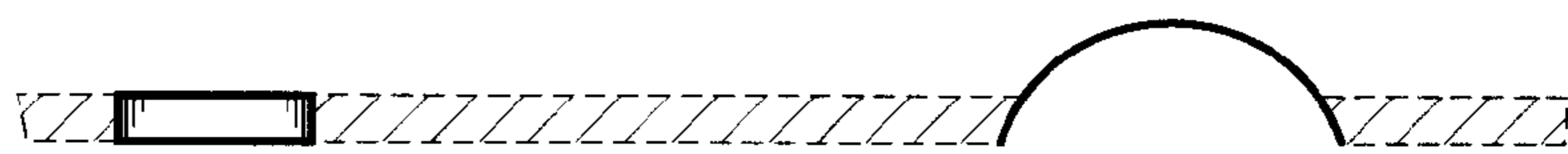


Fig. 7