



US00D534199S

(12) **United States Design Patent**  
**Hanafusa**

(10) **Patent No.:** **US D534,199 S**

(45) **Date of Patent:** **\*\* Dec. 26, 2006**

(54) **DIGITAL CAMERA**

D505,685 S \* 5/2005 Yoshida ..... D16/219  
D508,254 S \* 8/2005 Fujii ..... D16/219  
D522,556 S \* 6/2006 Yoshida ..... D16/202

(75) Inventor: **Norihito Hanafusa**, Tokyo (JP)

\* cited by examiner

(73) Assignee: **Casio Keisanki Kabushiki Kaisha**,  
Tokyo (JP)

*Primary Examiner*—Adir Aronovich

(\*\*) Term: **14 Years**

(74) *Attorney, Agent, or Firm*—Frishauf, Holtz, Goodman  
& Chick, P.C.

(21) Appl. No.: **29/233,039**

(57) **CLAIM**

(22) Filed: **Jun. 27, 2005**

The ornamental design for a digital camera, as shown and described.

(51) **LOC (8) Cl.** ..... **16-05**

(52) **U.S. Cl.** ..... **D16/219; D16/202**

(58) **Field of Classification Search** ..... D16/200–205,  
D16/208, 218, 219; 348/373–376; 358/909.1;  
396/535–541

See application file for complete search history.

**DESCRIPTION**

FIG. 1 is a reduced scale front, right side, top perspective view of a digital camera showing my new design;  
FIG. 2 is a front elevational view thereof;  
FIG. 3 is a rear elevational view thereof;  
FIG. 4 is a left side view thereof;  
FIG. 5 is a right side view thereof;  
FIG. 6 is a top plan view thereof; and,  
FIG. 7 is a bottom plan view thereof.

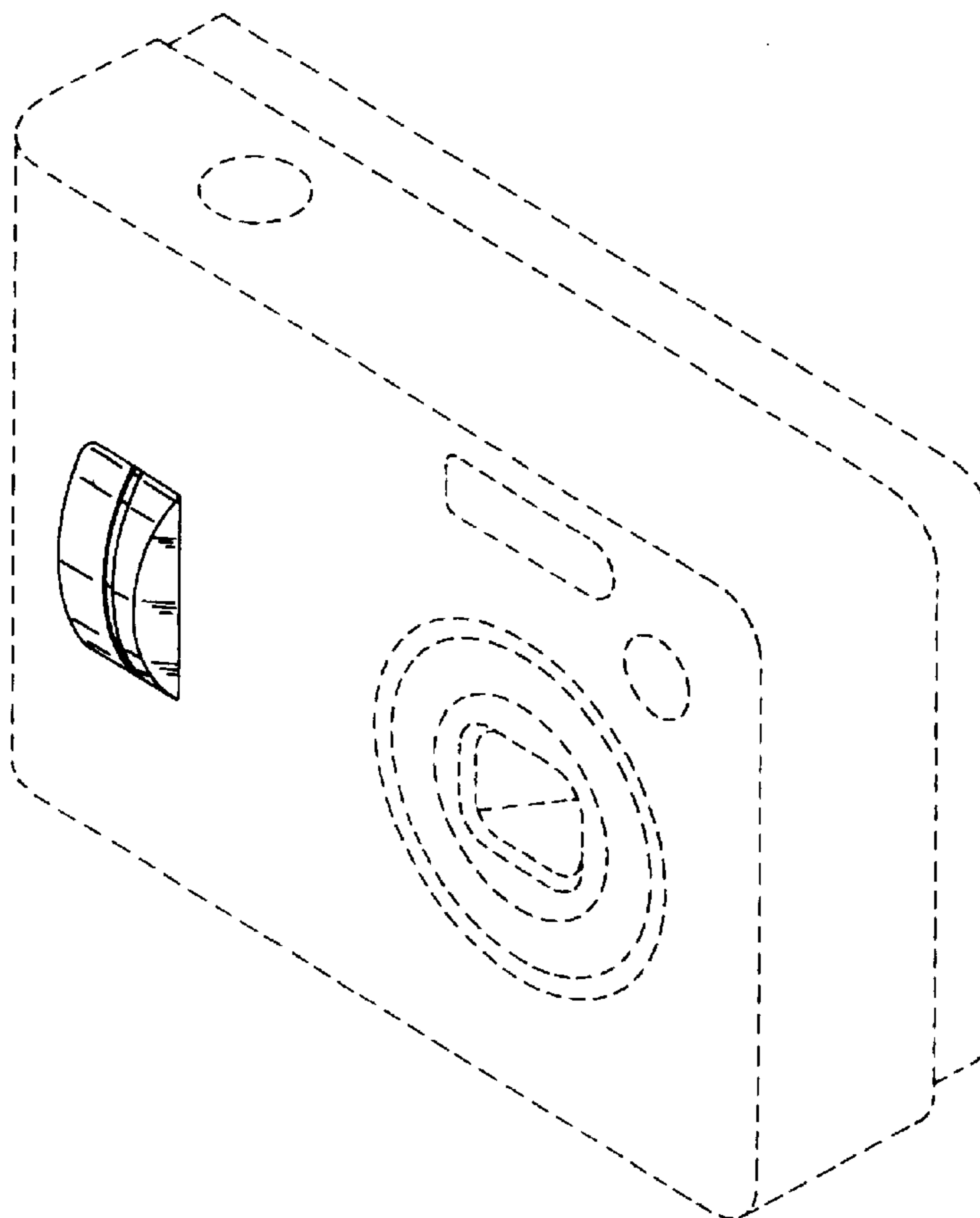
The broken line showings are for illustrative purposes only and form no part of the claimed design.

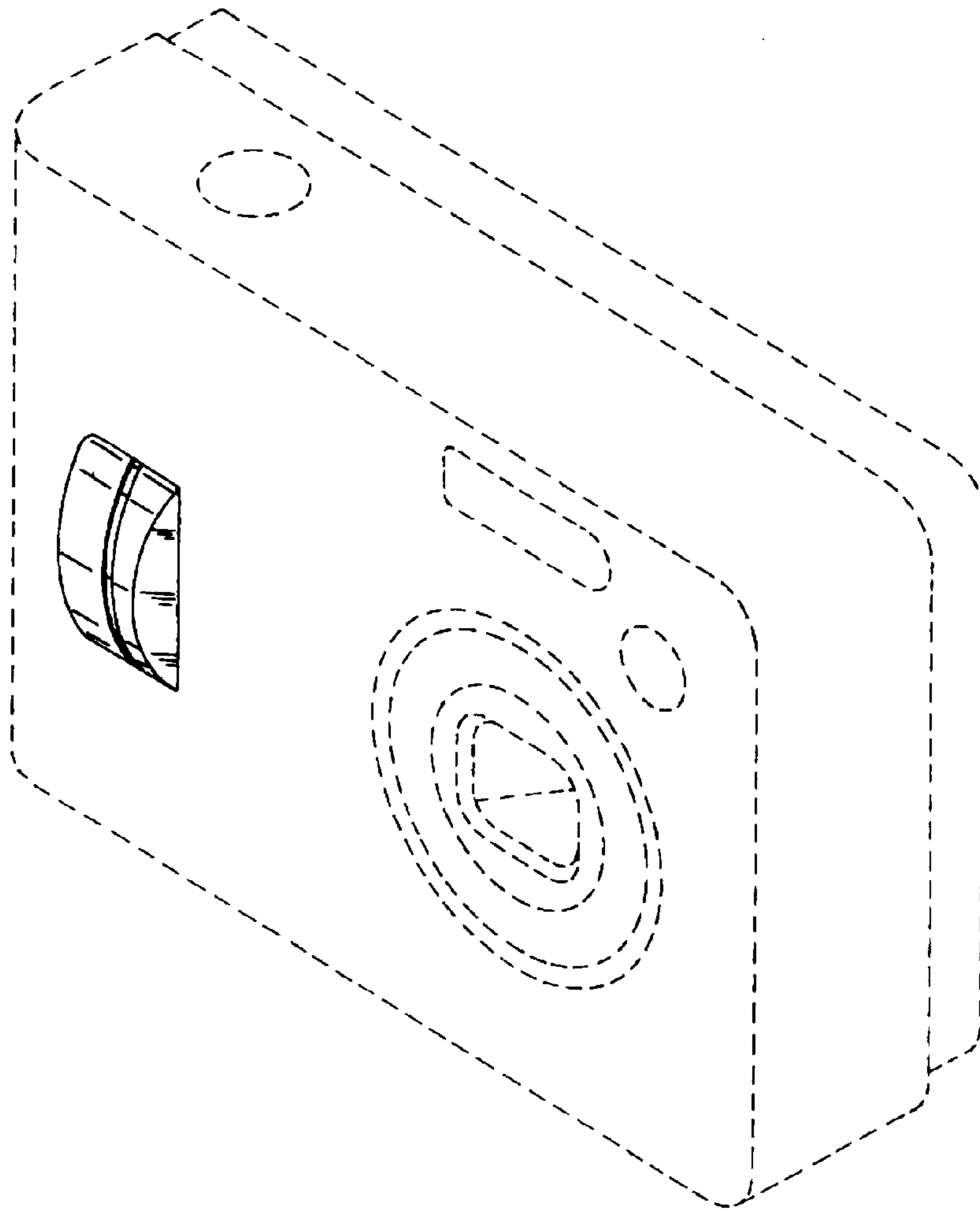
(56) **References Cited**

**U.S. PATENT DOCUMENTS**

D407,098 S \* 3/1999 Goto et al. .... D16/202  
D434,058 S \* 11/2000 Shinohara et al. .... D16/219  
D455,167 S \* 4/2002 Friedrichs et al. .... D16/218  
D484,902 S \* 1/2004 Baba ..... D16/202

**1 Claim, 6 Drawing Sheets**





**FIG. 1**

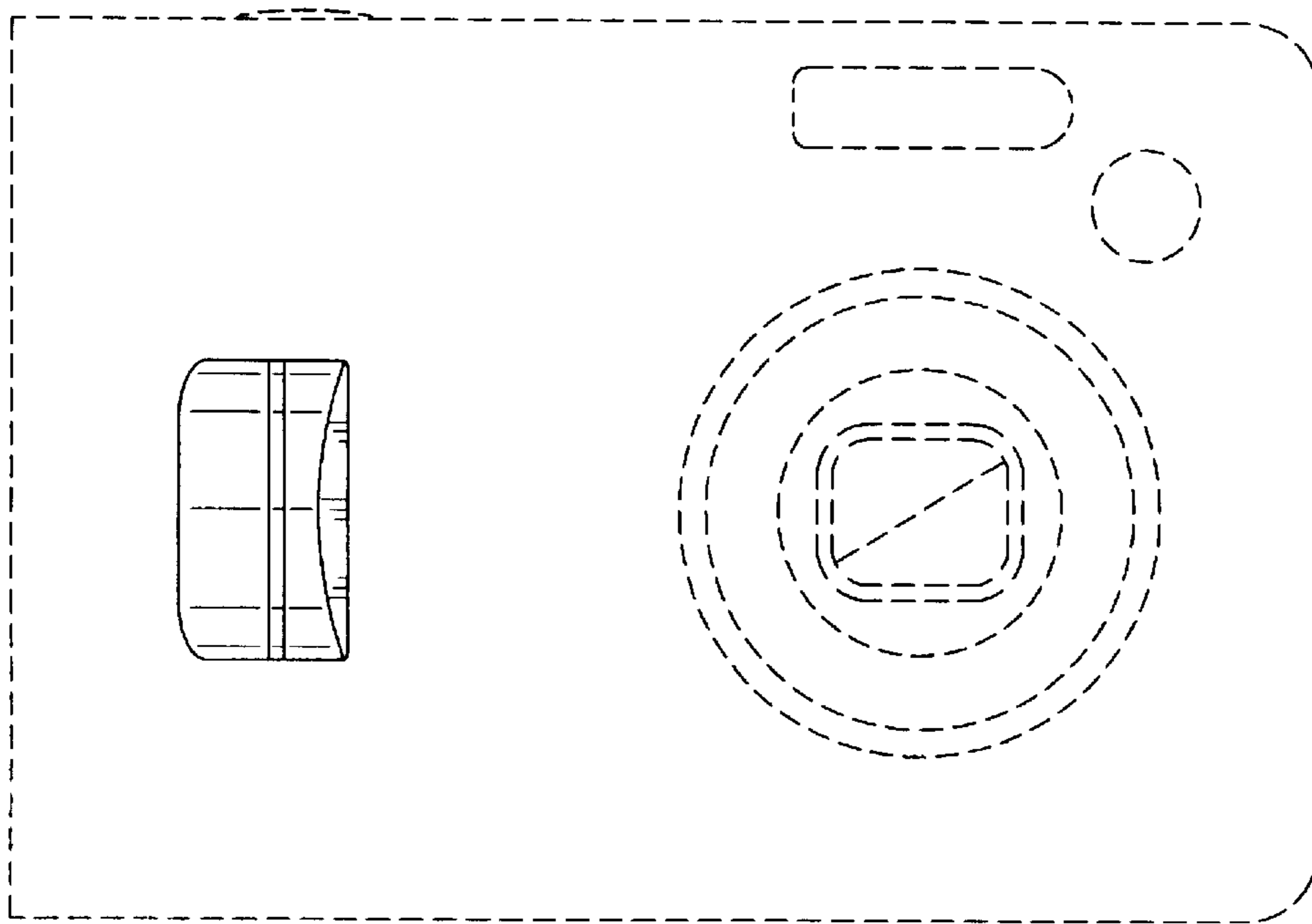


FIG. 2

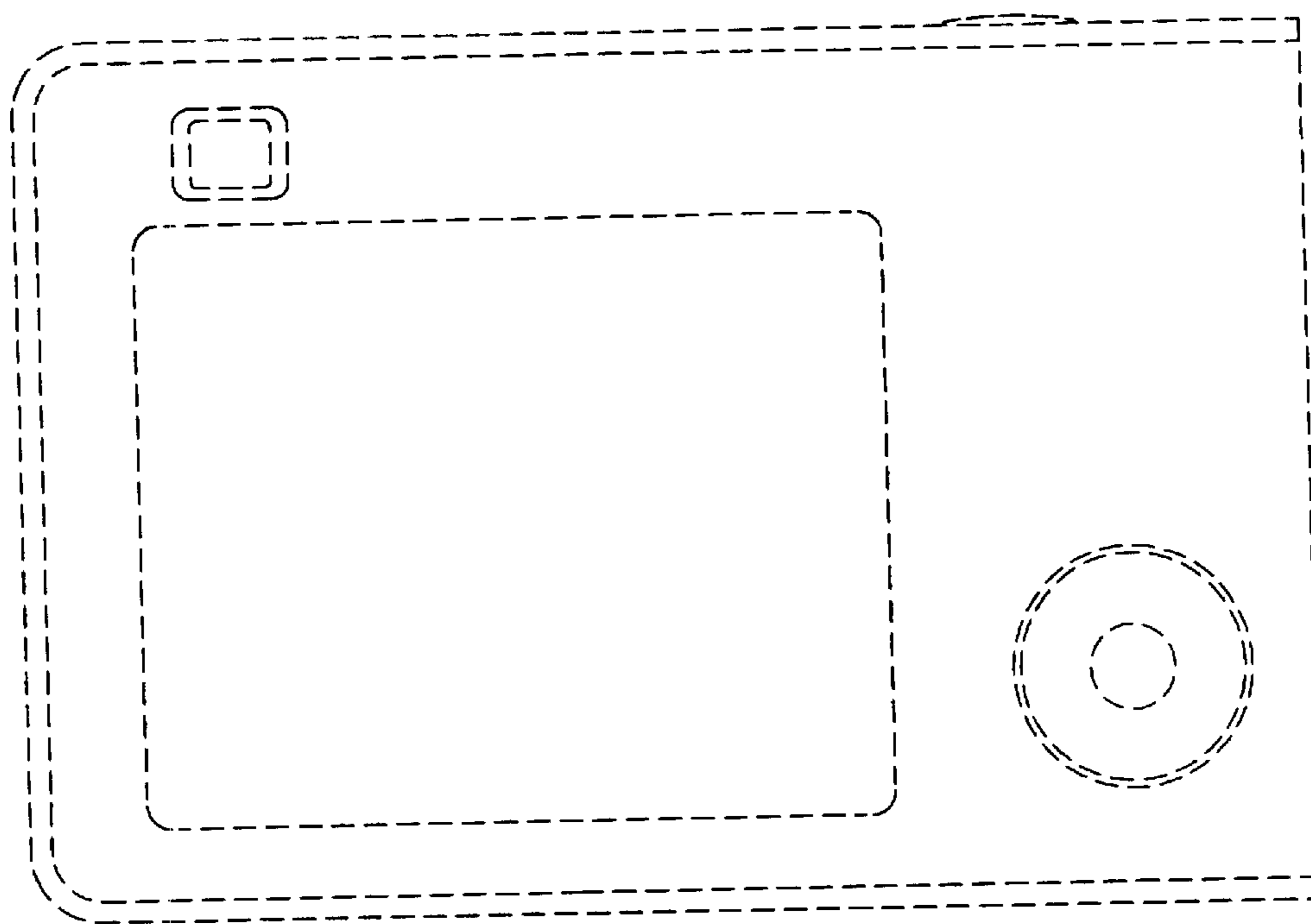


FIG. 3

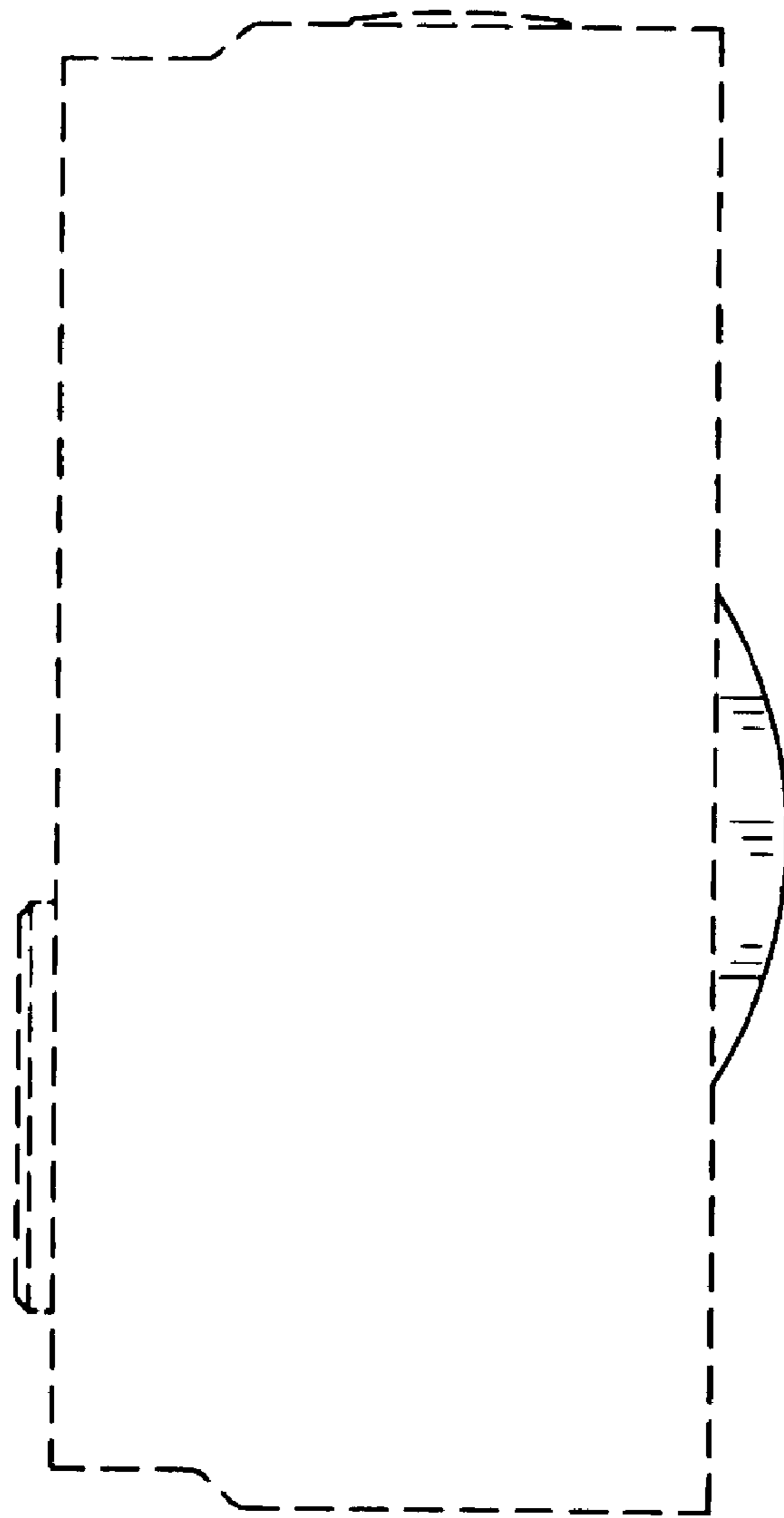


FIG. 4

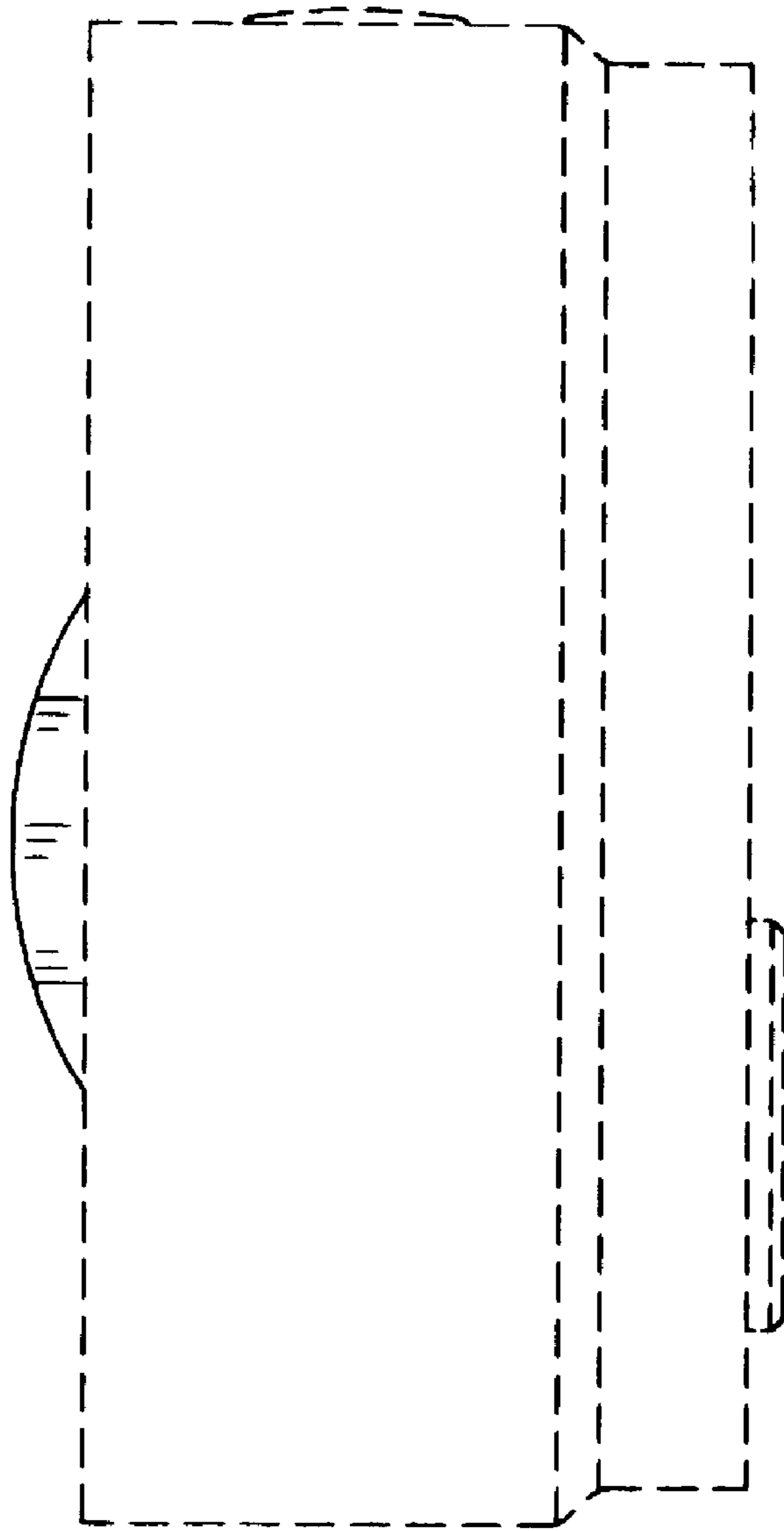


FIG. 5

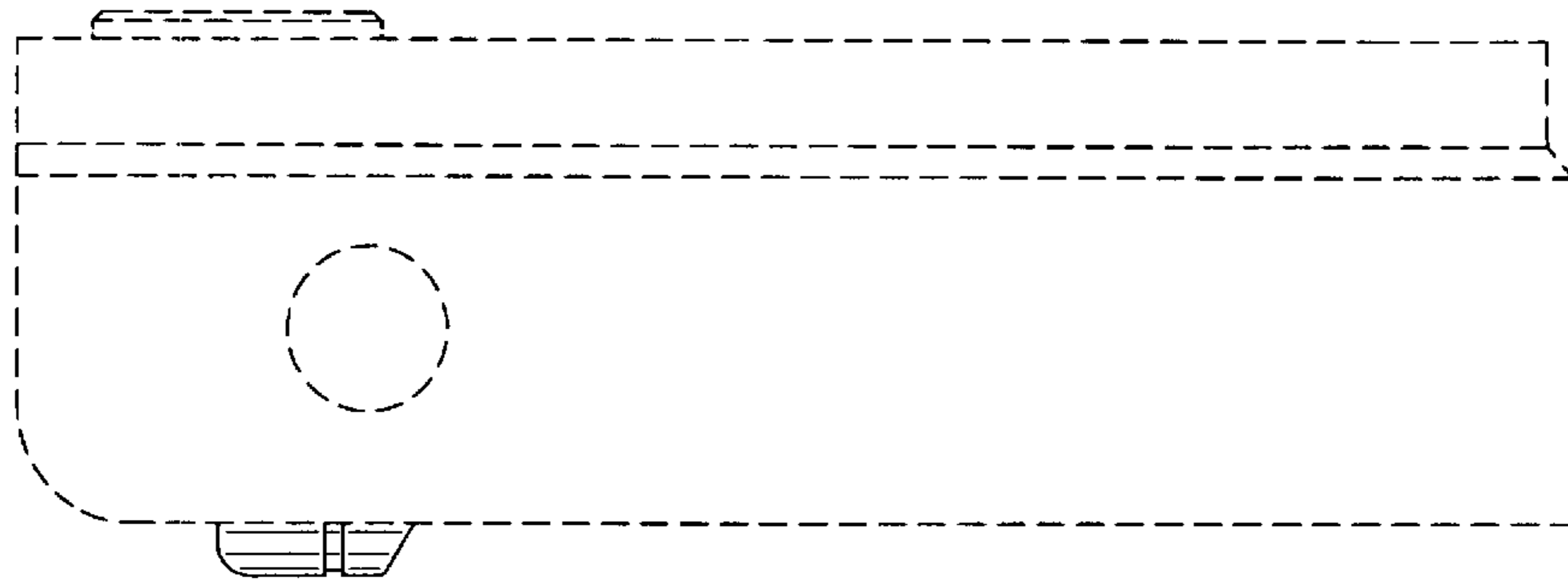


FIG. 6

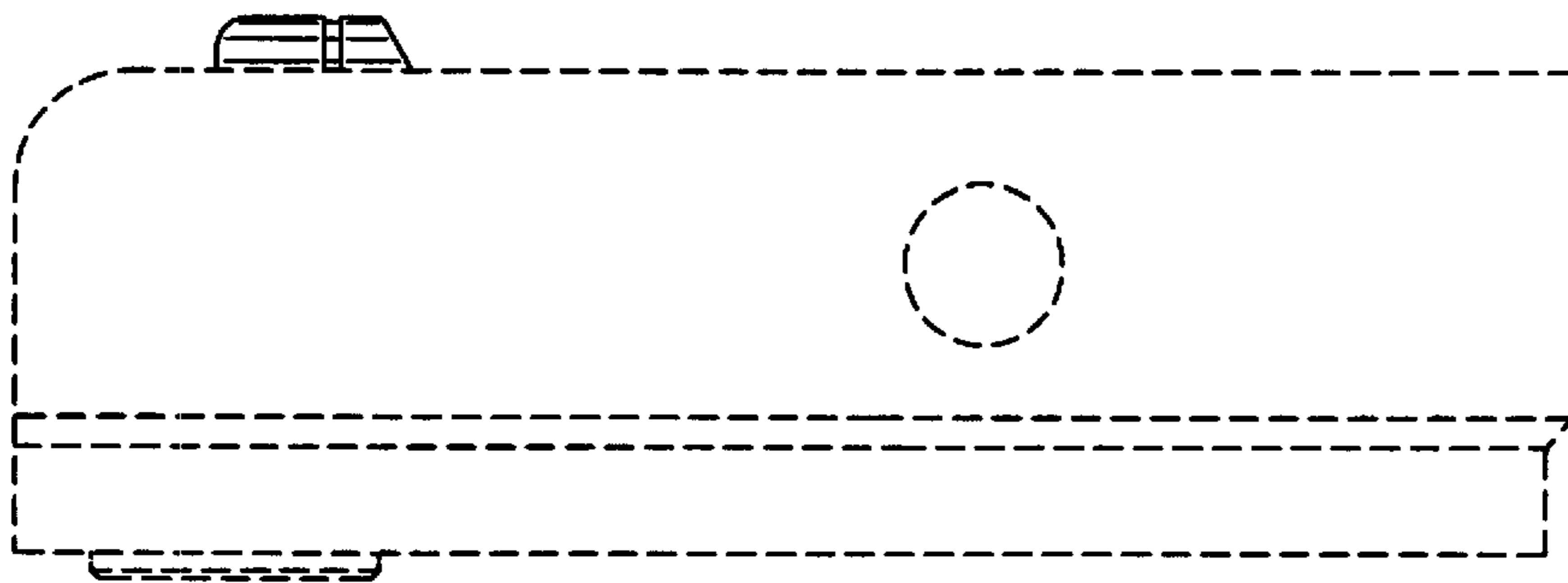


FIG. 7