



US00D534198S

(12) **United States Design Patent**
Horikiri

(10) **Patent No.:** **US D534,198 S**

(45) **Date of Patent:** **** Dec. 26, 2006**

(54) **DIGITAL CAMERA**

(75) Inventor: **Kazuhisa Horikiri**, Tokyo (JP)

(73) Assignee: **Fuji Photo Film Co., Ltd.**, Kanagawa (JP)

(**) Term: **14 Years**

(21) Appl. No.: **29/230,320**

(22) Filed: **May 18, 2005**

(30) **Foreign Application Priority Data**

Nov. 19, 2004 (JP) 2004-035469

(51) **LOC (8) Cl.** **16-05**

(52) **U.S. Cl.** **D16/219**; D16/202

(58) **Field of Classification Search** D16/200-204,
D16/208, 212, 218, 219; 348/373-376; 358/909.1;
396/535-541

See application file for complete search history.

(56) **References Cited**

U.S. PATENT DOCUMENTS

D508,512 S * 8/2005 Suzuki D16/219
D508,709 S * 8/2005 Watanabe D16/219

D521,038 S * 5/2006 Takagi D16/202
D522,555 S * 6/2006 Choi D16/202
D522,556 S * 6/2006 Yoshida D16/202

* cited by examiner

Primary Examiner—Adir Aronovich

(74) *Attorney, Agent, or Firm*—Koda & Androlia

(57) **CLAIM**

The ornamental design for a digital camera, as shown and described.

DESCRIPTION

FIG. 1 is a front elevational view of the digital camera showing my new design;

FIG. 2 is a rear elevational view thereof;

FIG. 3 is a left side elevational view thereof;

FIG. 4 is a right side elevational view thereof;

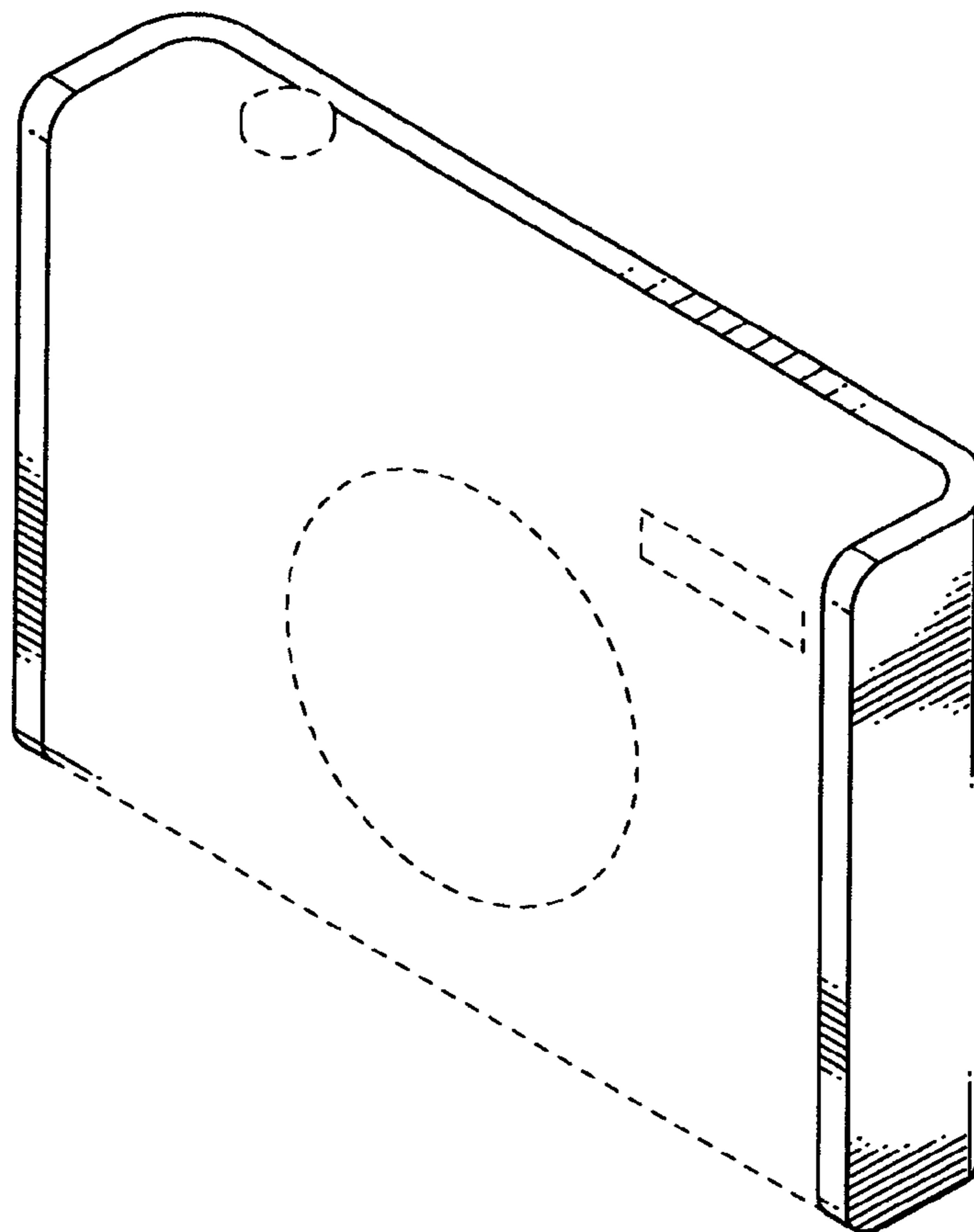
FIG. 5 is a top plan view thereof;

FIG. 6 is a bottom plan view thereof; and,

FIG. 7 is a perspective view of the digital camera taken from the front, top and right side thereof.

The portion of the article depicted in broken lines is for illustrative purposes only and forms no part of the claimed design.

1 Claim, 4 Drawing Sheets



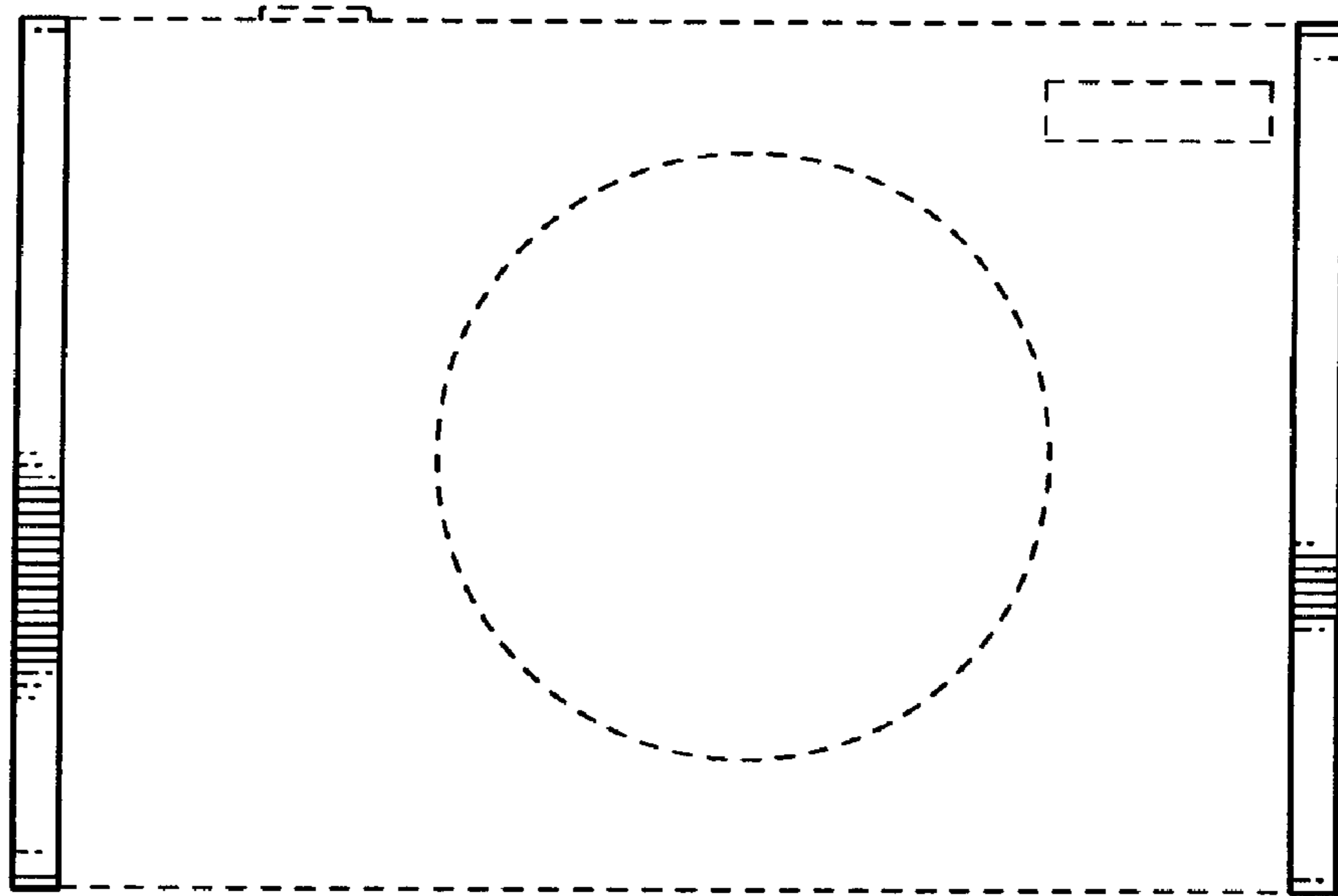


FIG. 1

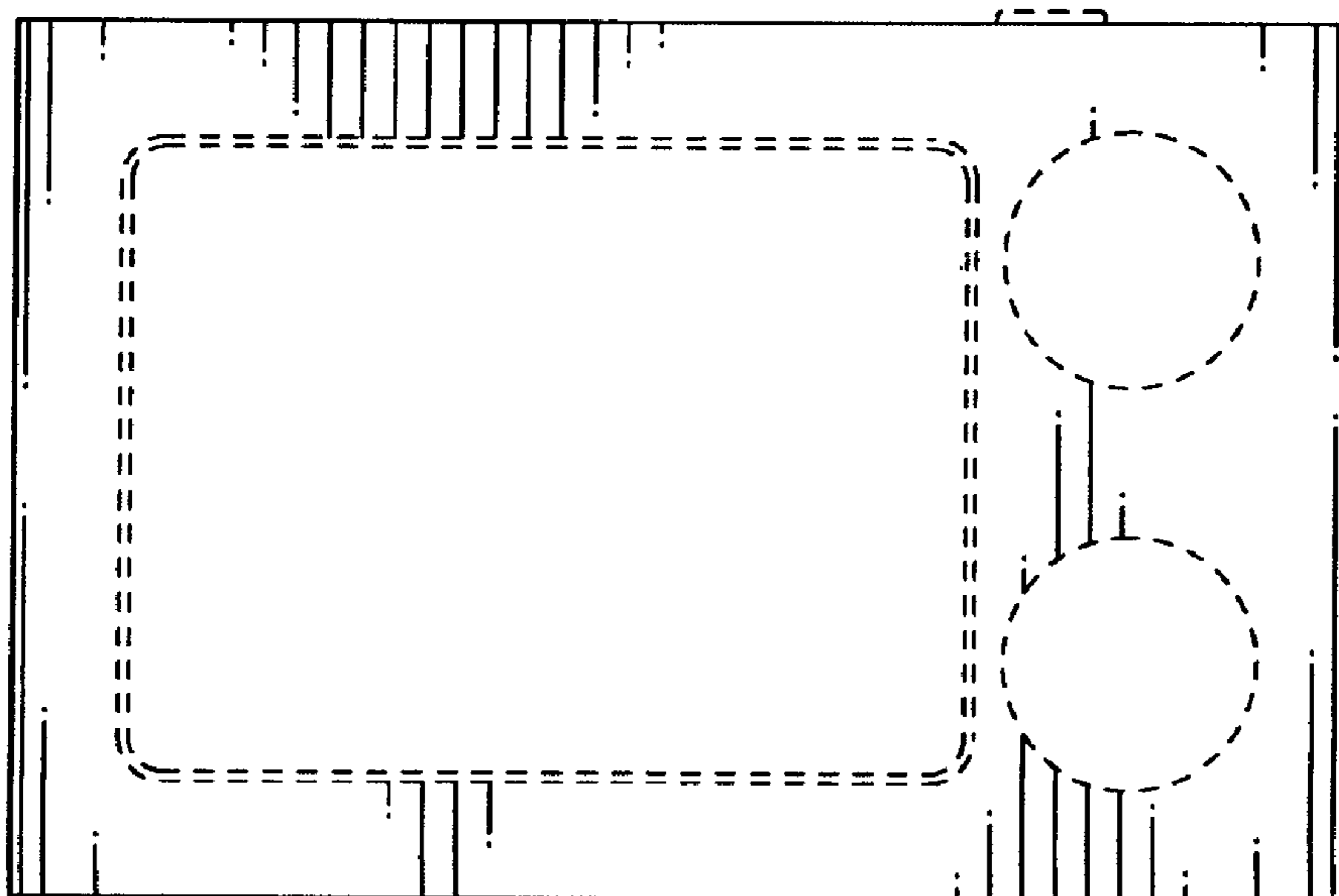


FIG. 2

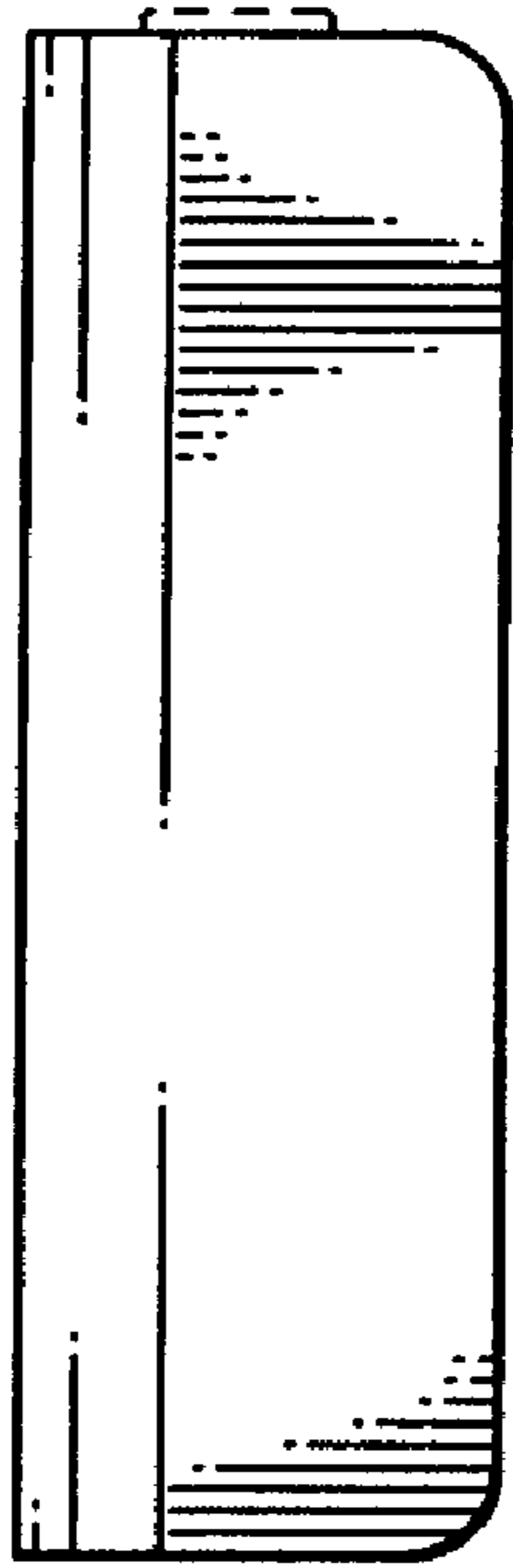


FIG. 3

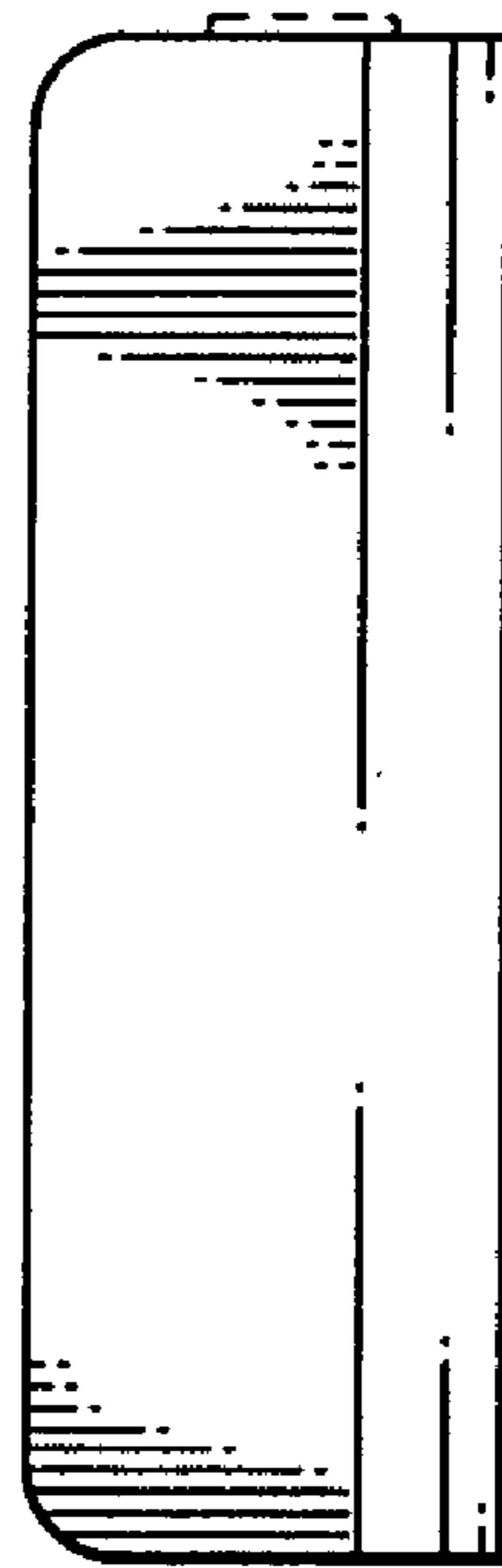


FIG. 4



FIG. 5

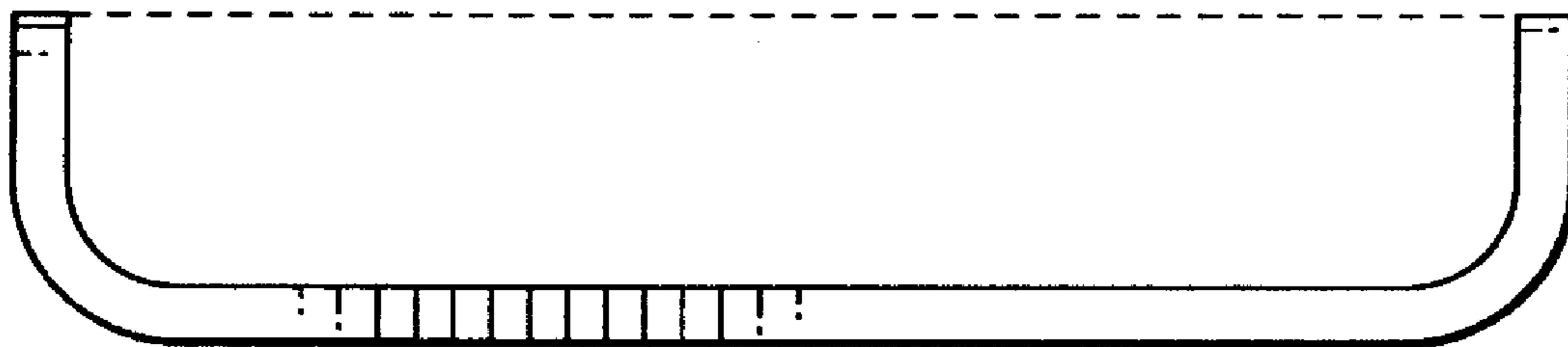


FIG. 6

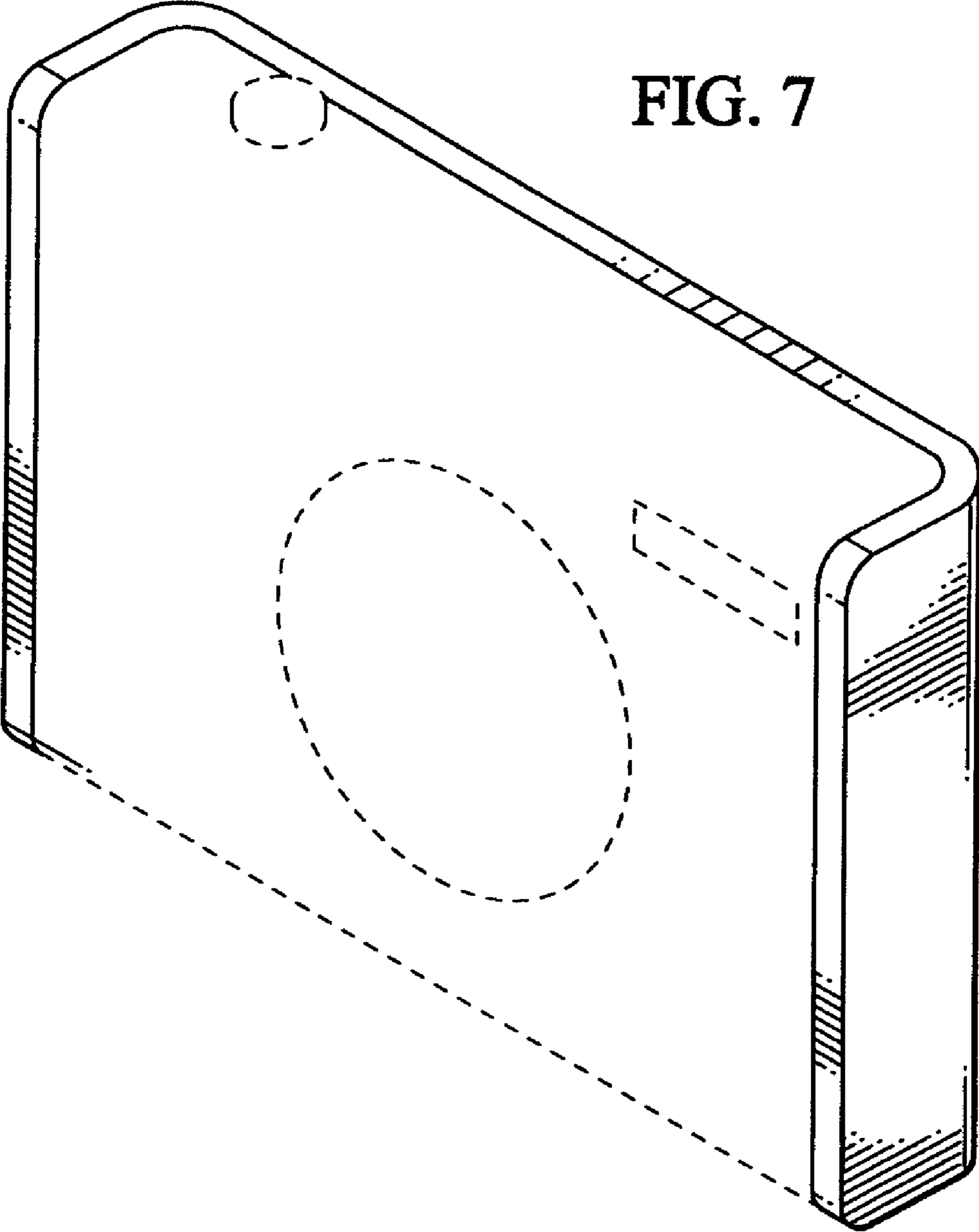


FIG. 7