



US00D534197S

(12) **United States Design Patent**
Hanafusa

(10) **Patent No.:** **US D534,197 S**

(45) **Date of Patent:** **** Dec. 26, 2006**

(54) **DIGITAL CAMERA**

D524,341 S * 7/2006 Nagayama et al. D16/202
D525,274 S * 7/2006 Nagayama et al. D16/202

(75) Inventor: **Norihito Hanafusa**, Tokyo (JP)

* cited by examiner

(73) Assignee: **Casio Keisanki Kabushiki Kaisha**,
Tokyo (JP)

Primary Examiner—Adir Aronovich
(74) *Attorney, Agent, or Firm*—Frishauf, Holtz, Goodman
& Chick, P.C.

(**) Term: **14 Years**

(57) **CLAIM**

(21) Appl. No.: **29/233,036**

The ornamental design for a digital camera, as shown and described.

(22) Filed: **Jun. 27, 2005**

(51) **LOC (8) Cl.** **16-01**

(52) **U.S. Cl.** **D16/202**

(58) **Field of Classification Search** D16/200–205,
D16/208, 218; 348/373–376; 358/909.1;
396/535–541

See application file for complete search history.

DESCRIPTION

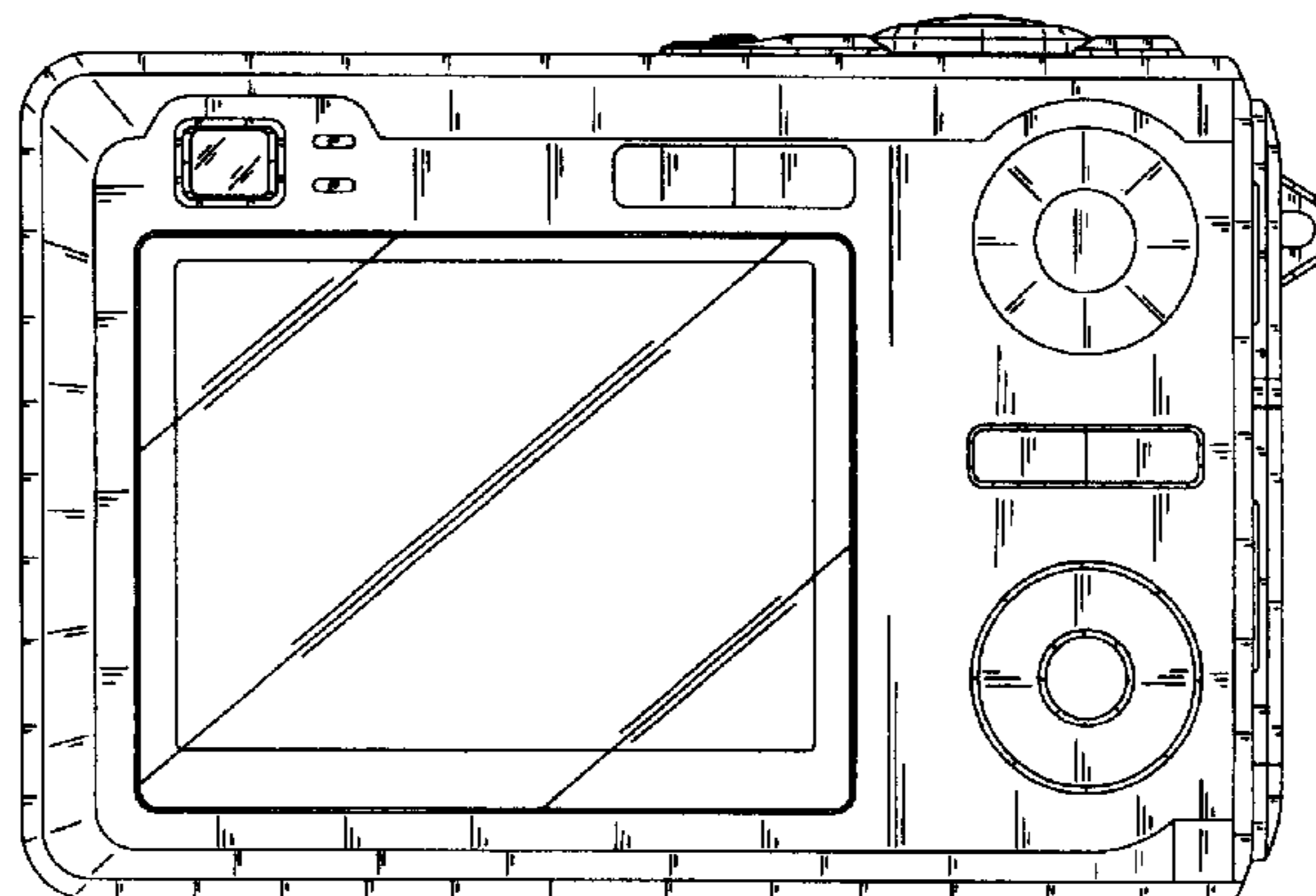
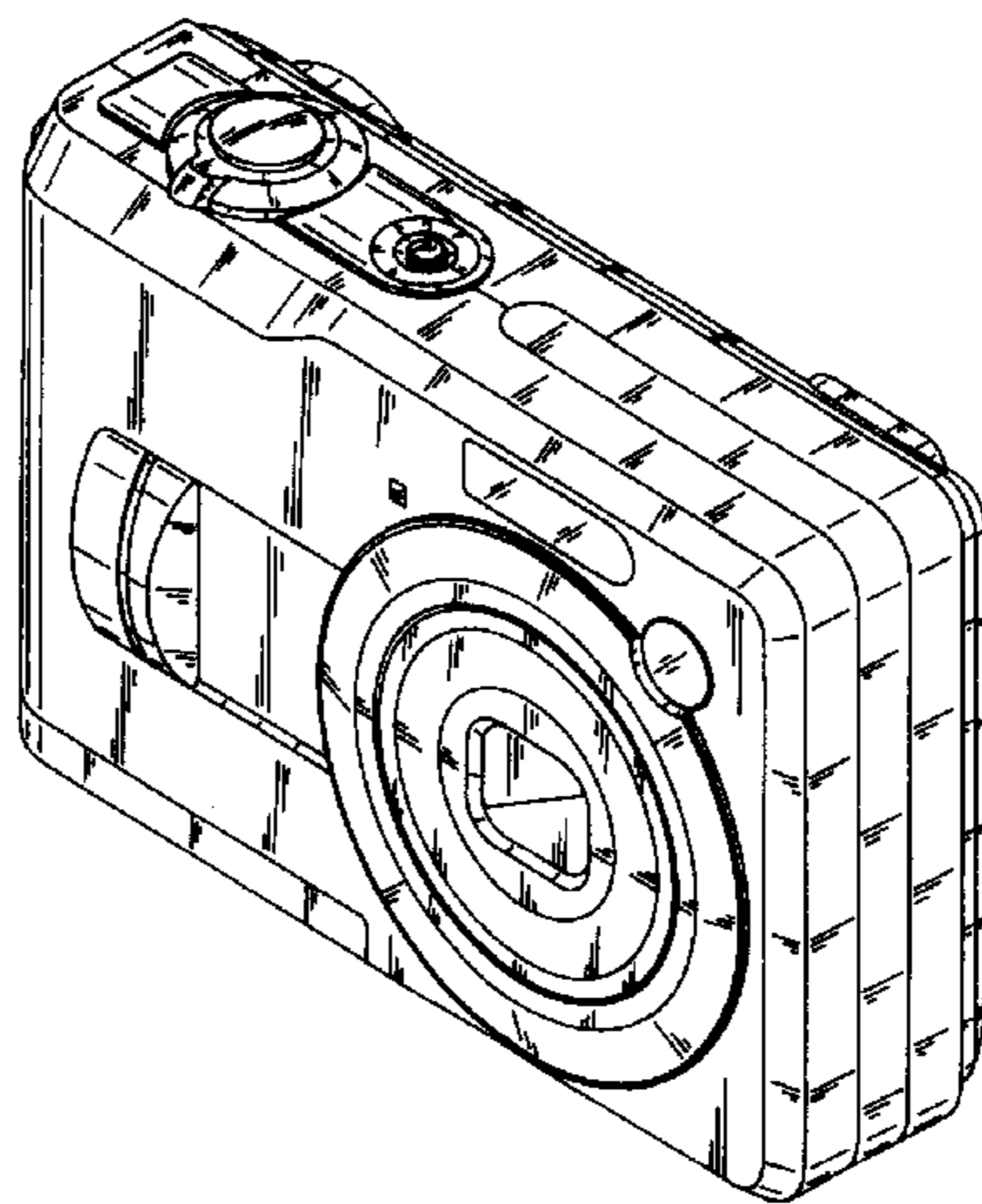
FIG. 1 is a reduced scale front, right side, top perspective view of a digital camera showing my new design; FIG. 2 is a front elevational view thereof; FIG. 3 is a rear elevational view thereof; FIG. 4 is a left side view thereof; FIG. 5 is a right side view thereof; FIG. 6 is a top plan view thereof; FIG. 7 is a bottom plan view thereof; and, FIG. 8 is a perspective view thereof showing the zoom lens extended.

(56) **References Cited**

U.S. PATENT DOCUMENTS

6,434,337 B1 * 8/2002 Misawa 358/909.1
D479,547 S * 9/2003 Nagayama D16/202
D495,352 S * 8/2004 Sakaguchi et al. D16/202
D502,479 S * 3/2005 Nishizawa et al. D16/202

1 Claim, 7 Drawing Sheets



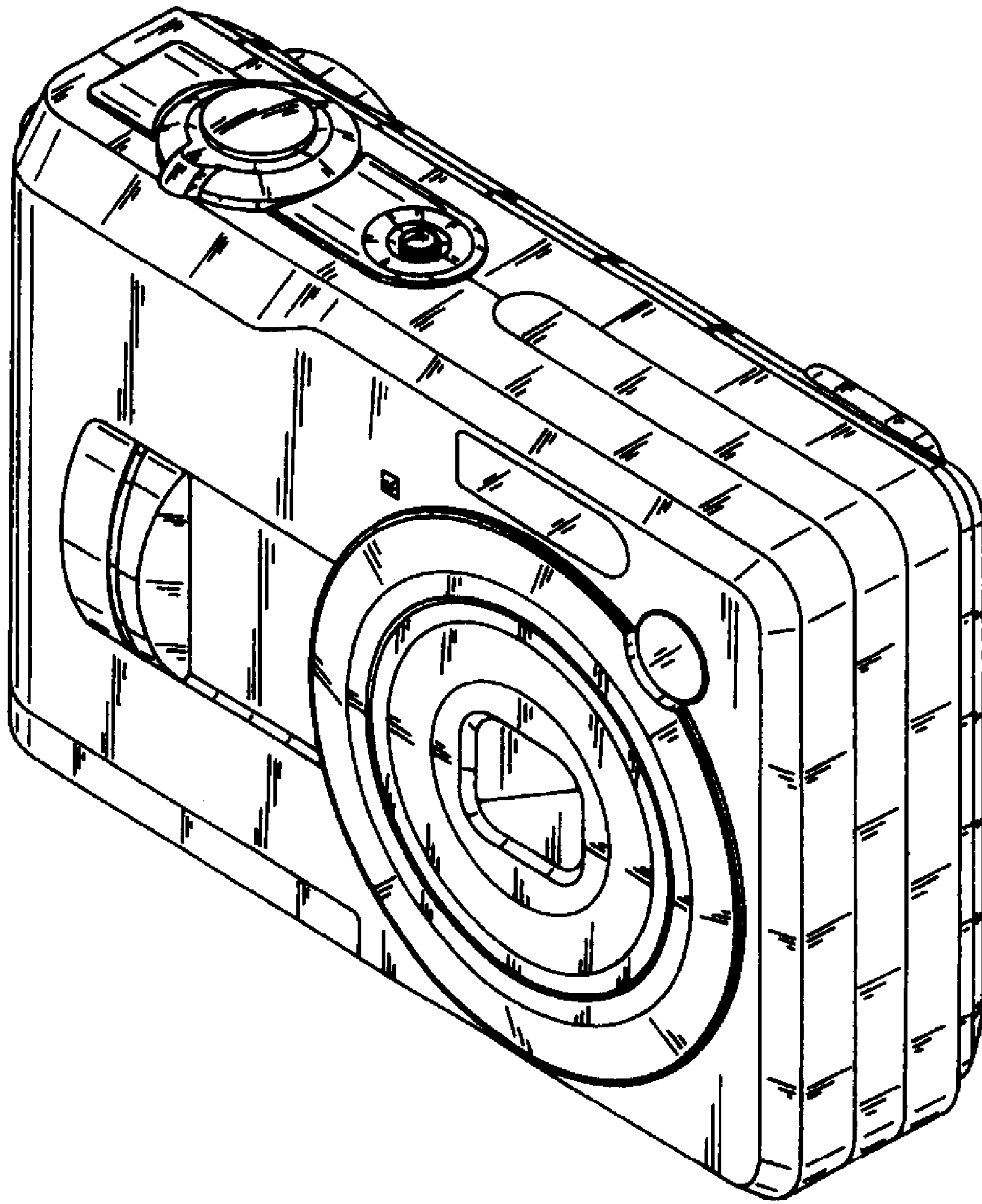


FIG. 1

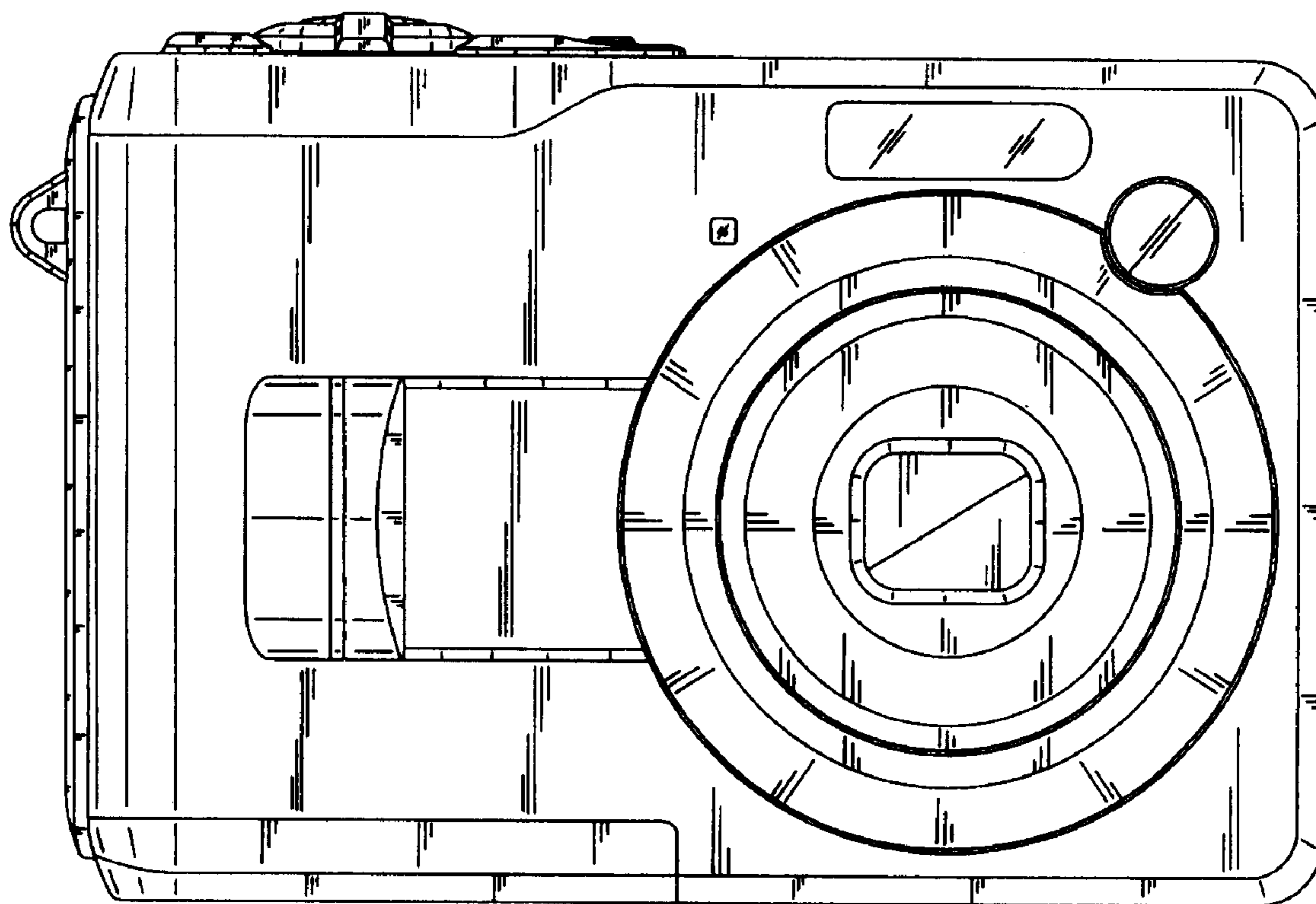


FIG. 2

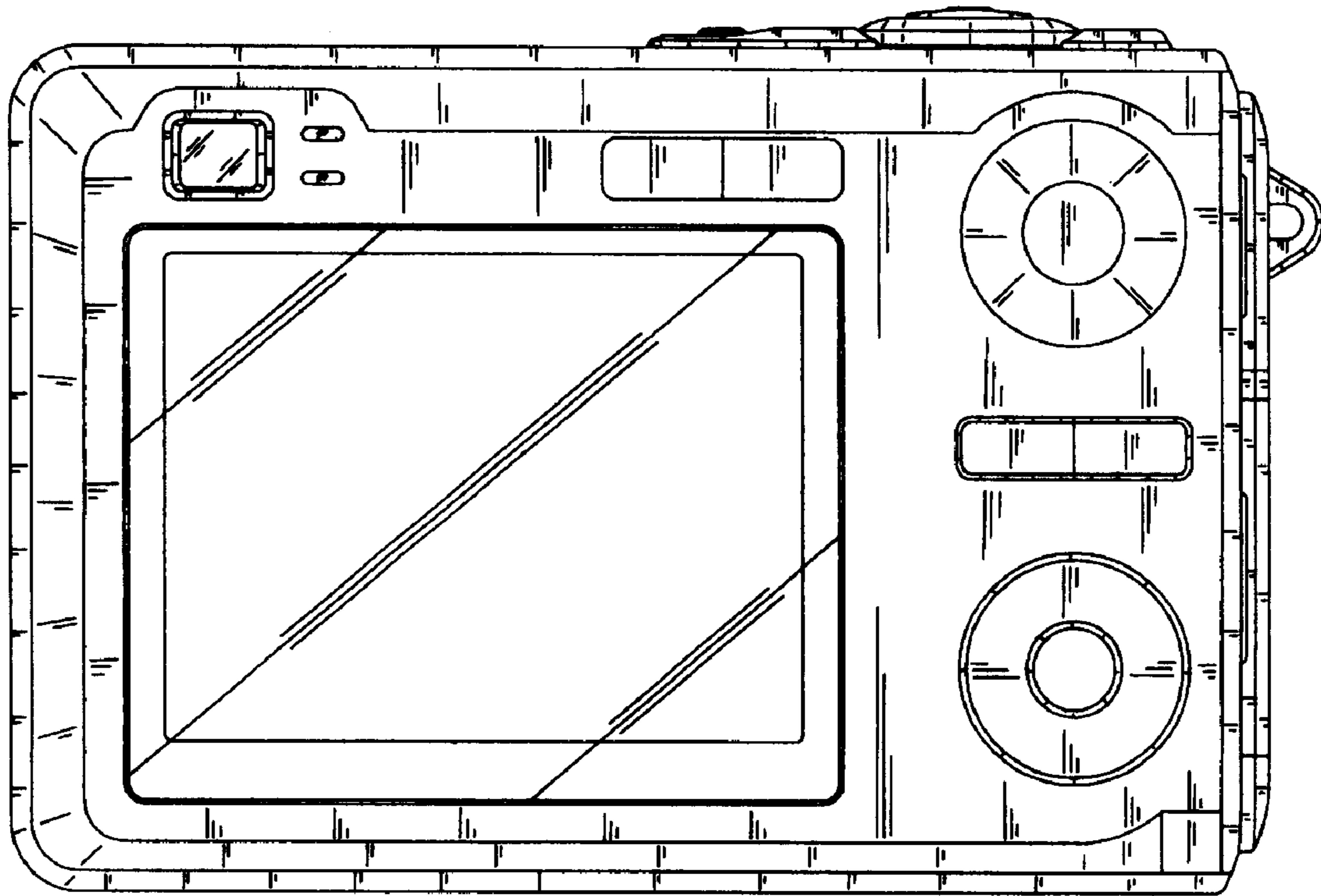


FIG. 3

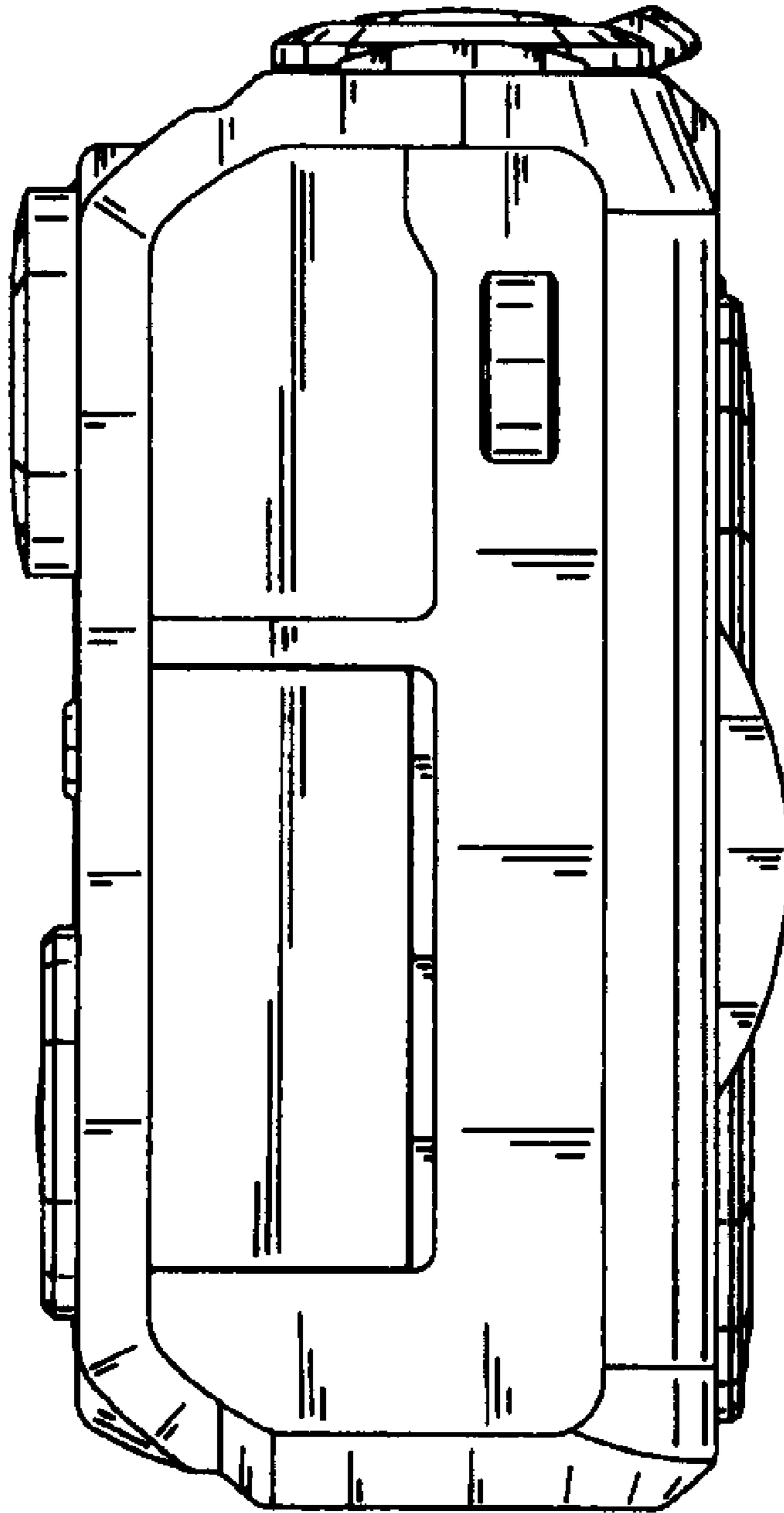


FIG. 4

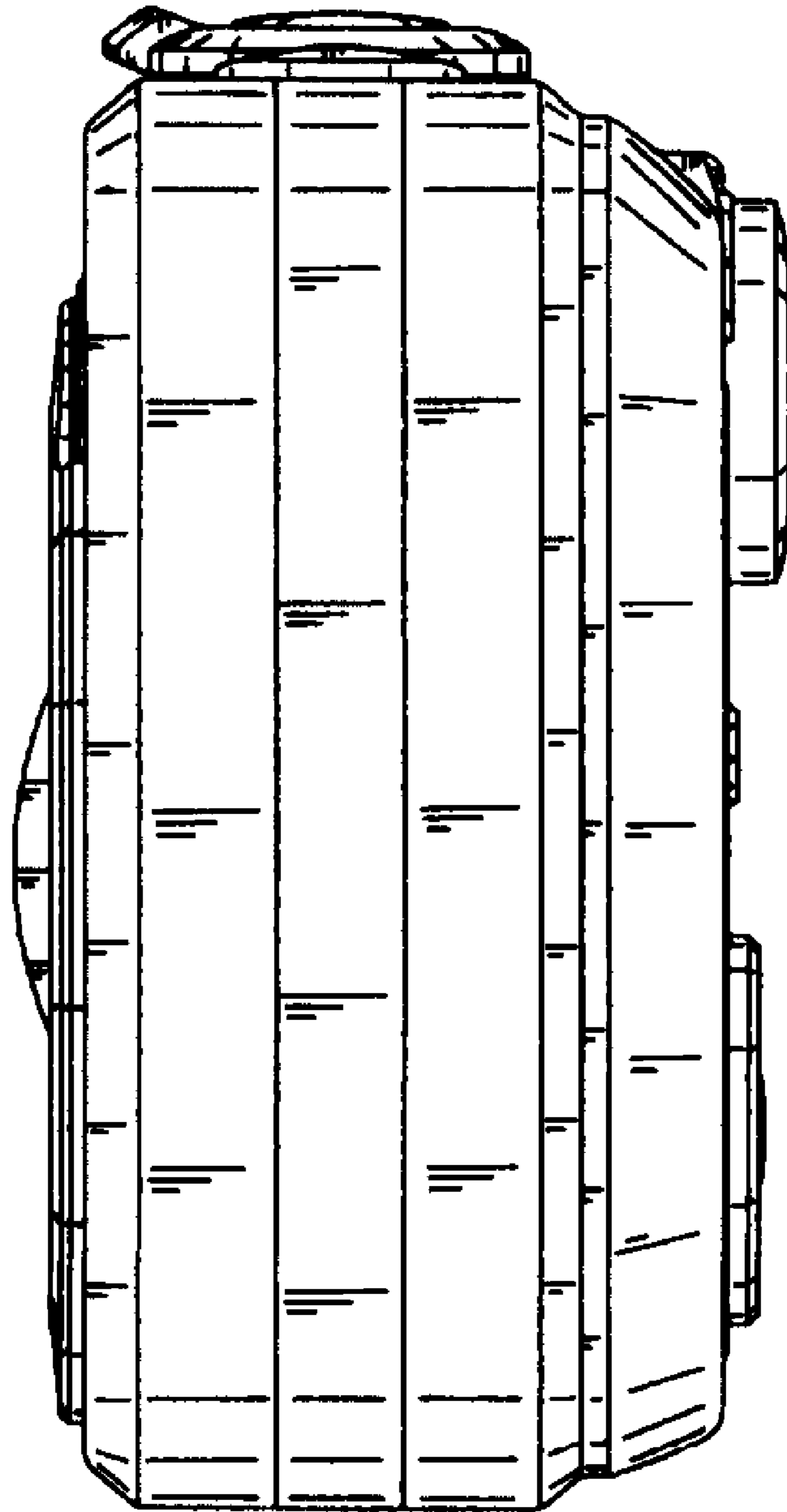


FIG. 5

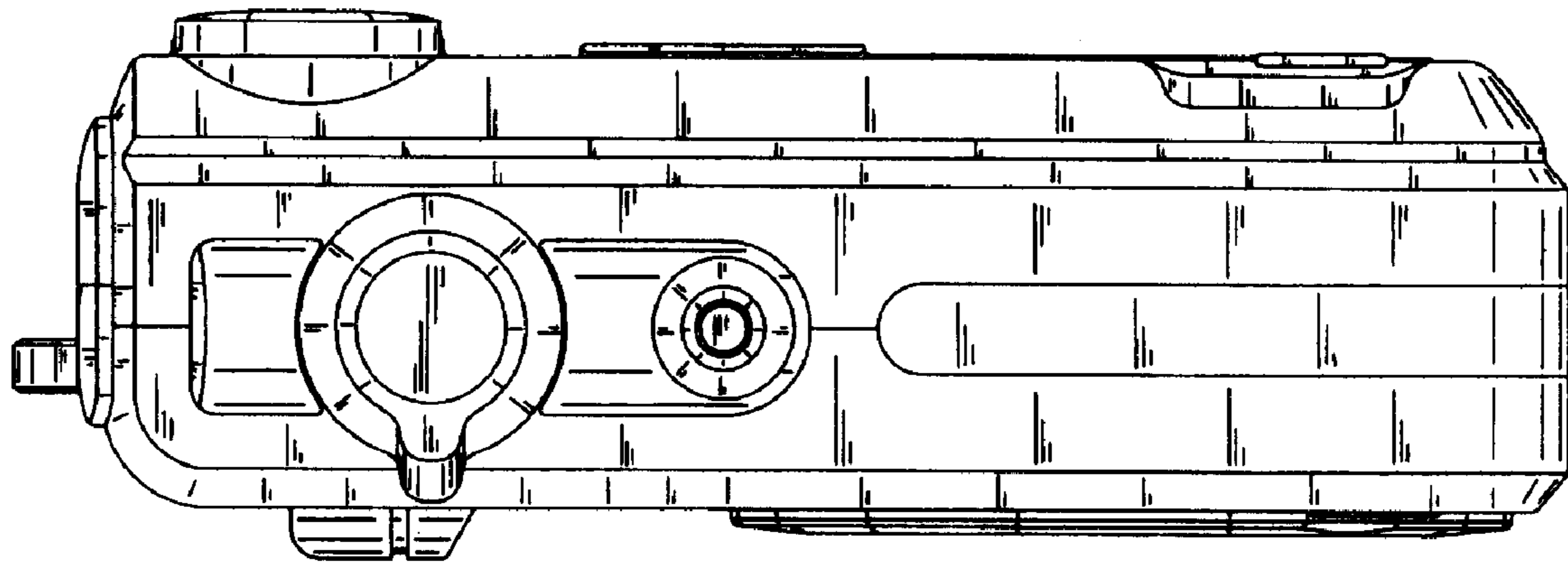


FIG. 6

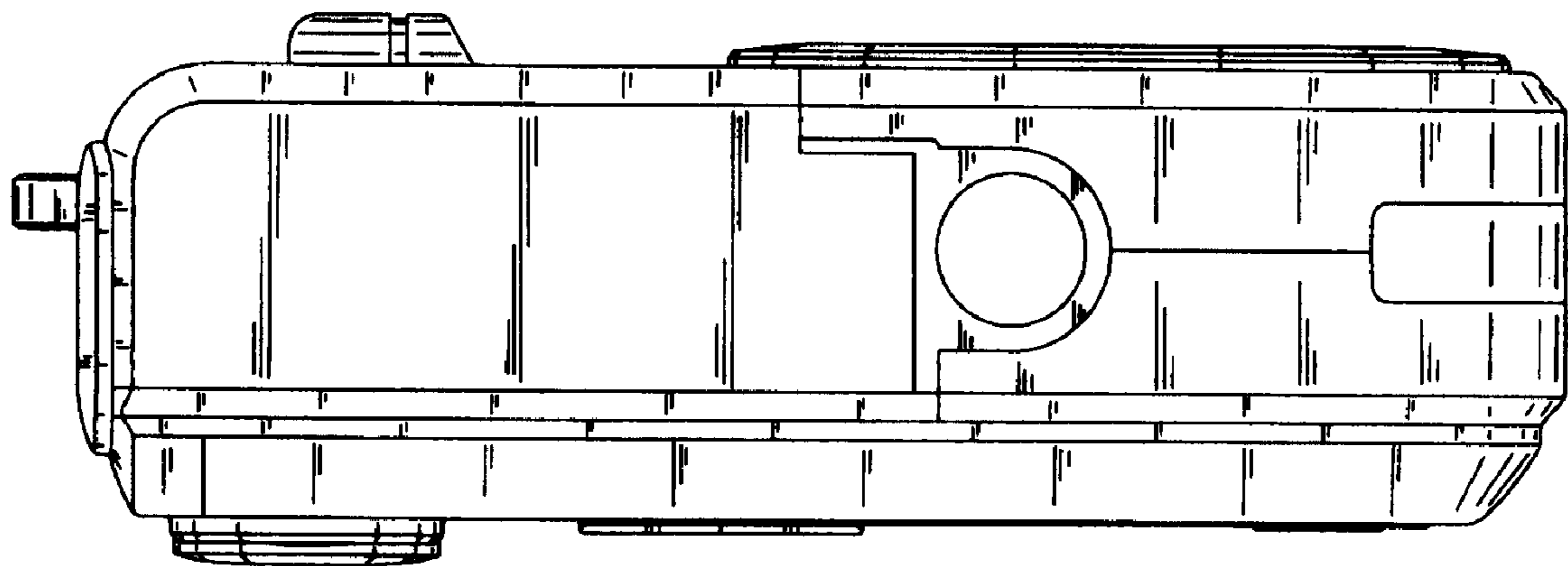


FIG. 7

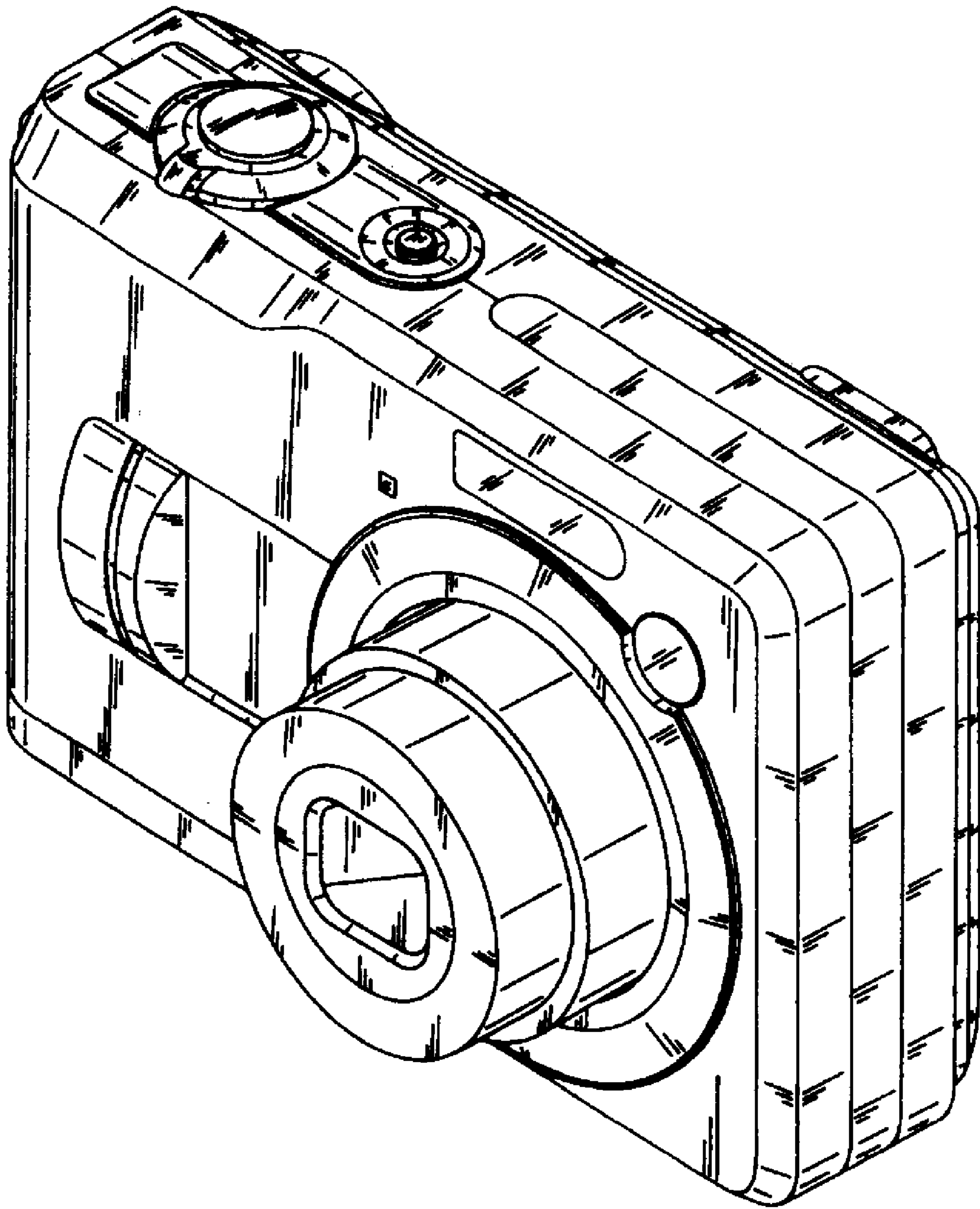


FIG. 8