



US00D534196S

(12) **United States Design Patent**  
**Kim et al.**

(10) **Patent No.:** **US D534,196 S**

(45) **Date of Patent:** **\*\* Dec. 26, 2006**

(54) **DIGITAL CAMERA**

D484,161 S \* 12/2003 Mendoza ..... D16/208  
D522,555 S \* 6/2006 Choi ..... D16/202  
D524,834 S \* 7/2006 Dozier et al. .... D16/200

(75) Inventors: **Min-Geun Kim**, Seoul (KR); **Sun-Soo Shin**, Seoul (KR)

\* cited by examiner

(73) Assignee: **Samsung Electronics Co., Ltd.**,  
Kyunggi-do (KR)

*Primary Examiner*—Adir Aronovich  
(74) *Attorney, Agent, or Firm*—Fynn, Thiel, Boutell &  
Tanis, P.C.

(\*\*) Term: **14 Years**

(57) **CLAIM**

(21) Appl. No.: **29/231,927**

The ornamental design for a digital camera, as shown and described.

(22) Filed: **Jun. 10, 2005**

(51) **LOC (8) Cl.** ..... **16-01**

(52) **U.S. Cl.** ..... **D16/202; D16/218**

(58) **Field of Classification Search** ..... D16/200–204,  
D16/208, 218; 348/373–376; 358/909.1;  
396/535–541

See application file for complete search history.

**DESCRIPTION**

FIG. 1. is a top front perspective view of a digital camera showing our new design.

FIG. 2. is a front elevational view thereof.

FIG. 3. is a rear elevational view thereof.

FIG. 4. is a left side elevational view thereof.

FIG. 5. is a right side elevational view thereof.

FIG. 6. is a top plan view thereof; and,

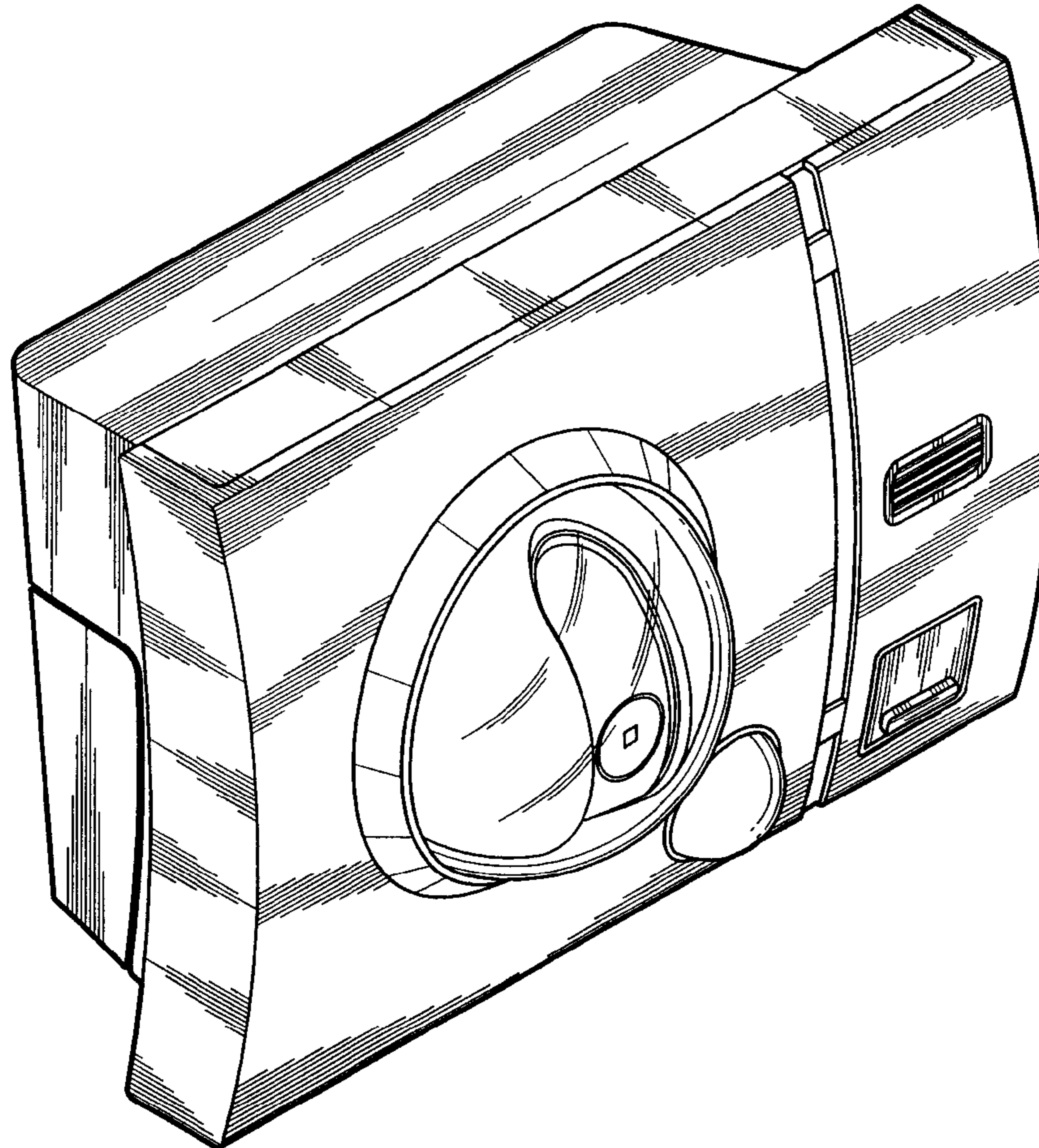
FIG. 7. is a bottom plan view thereof.

(56) **References Cited**

U.S. PATENT DOCUMENTS

D102,527 S \* 12/1936 Teague ..... D16/218  
D329,864 S \* 9/1992 Kawagoe ..... D16/218

**1 Claim, 4 Drawing Sheets**



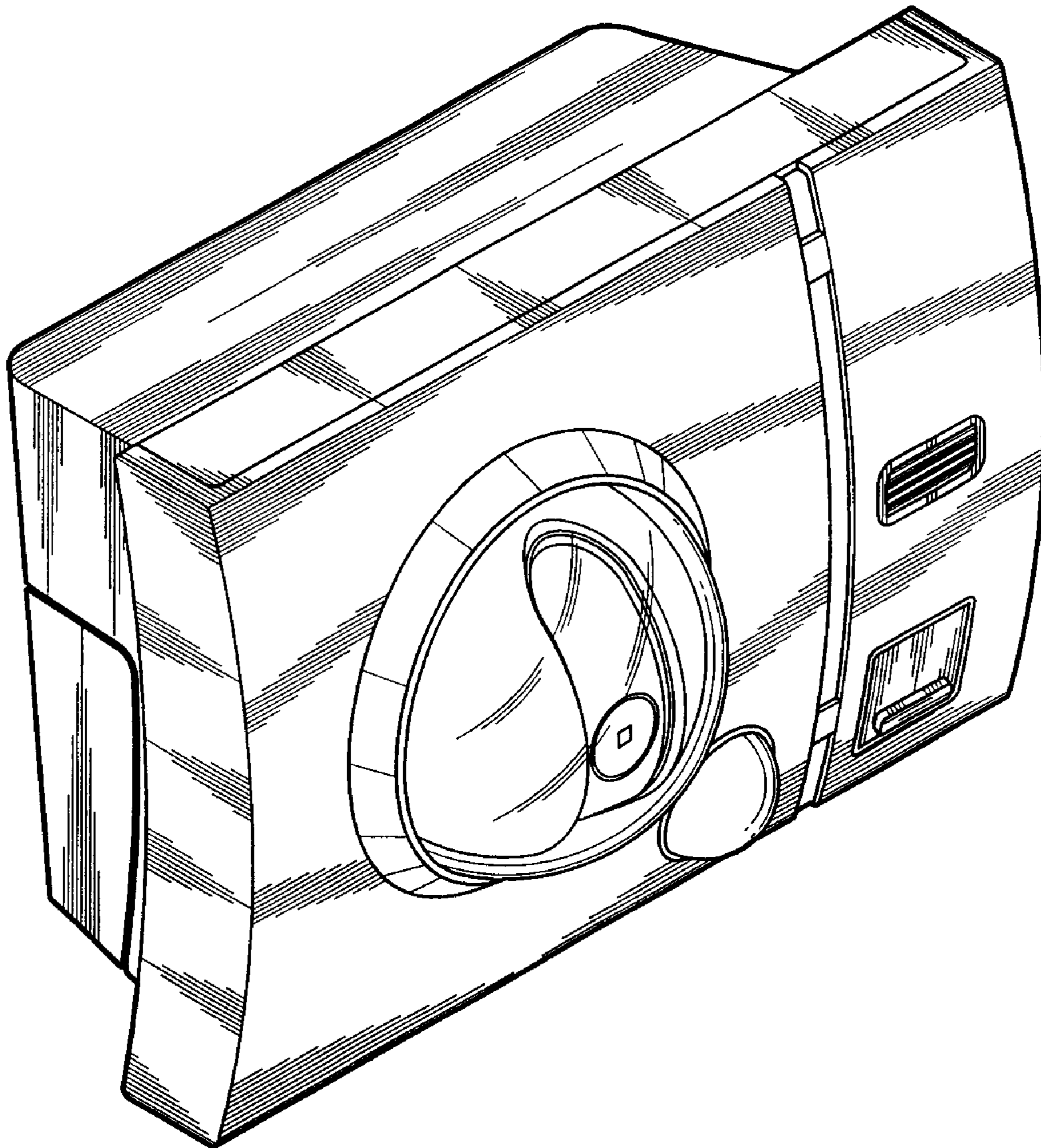


FIG. 1



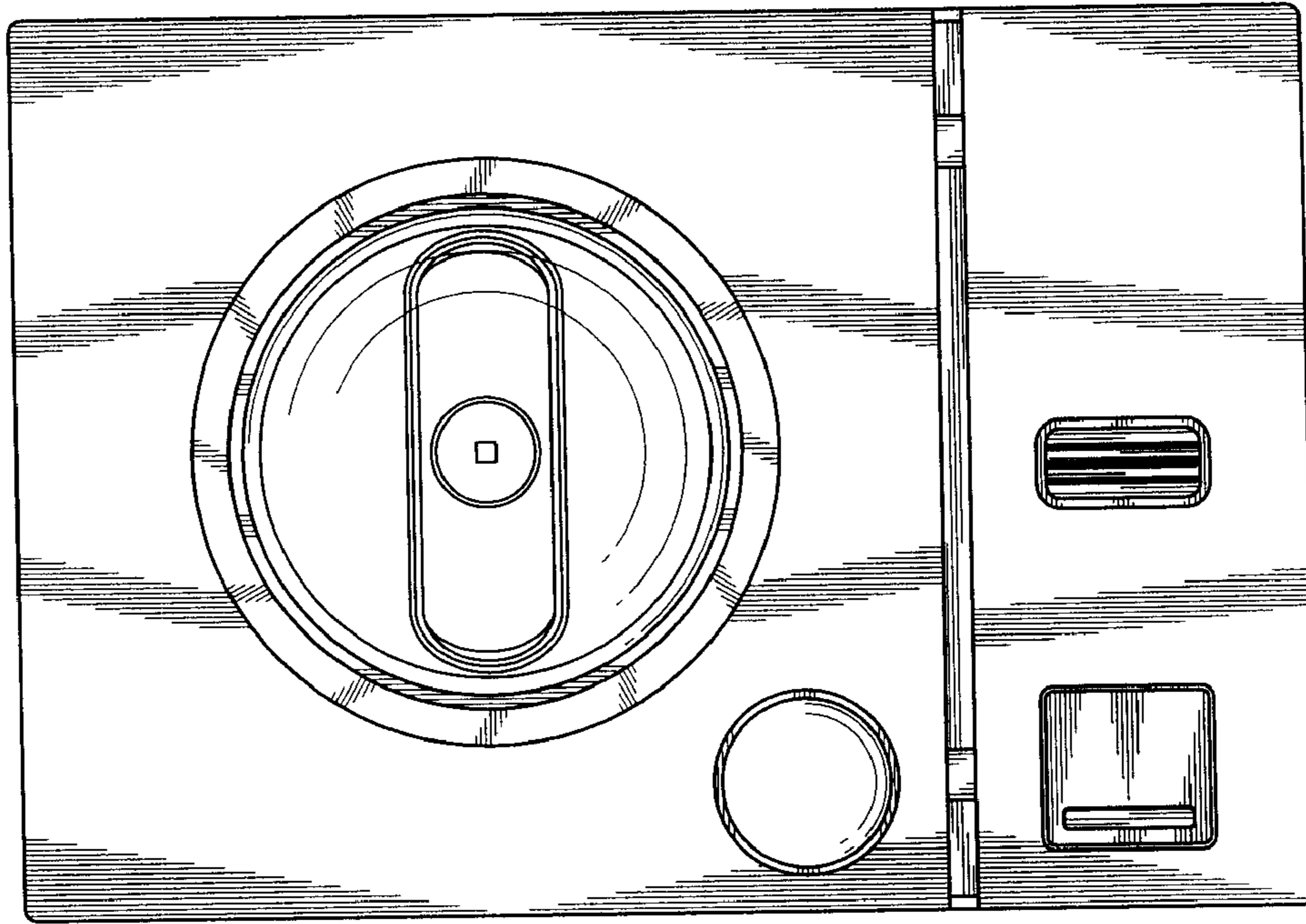


FIG. 2

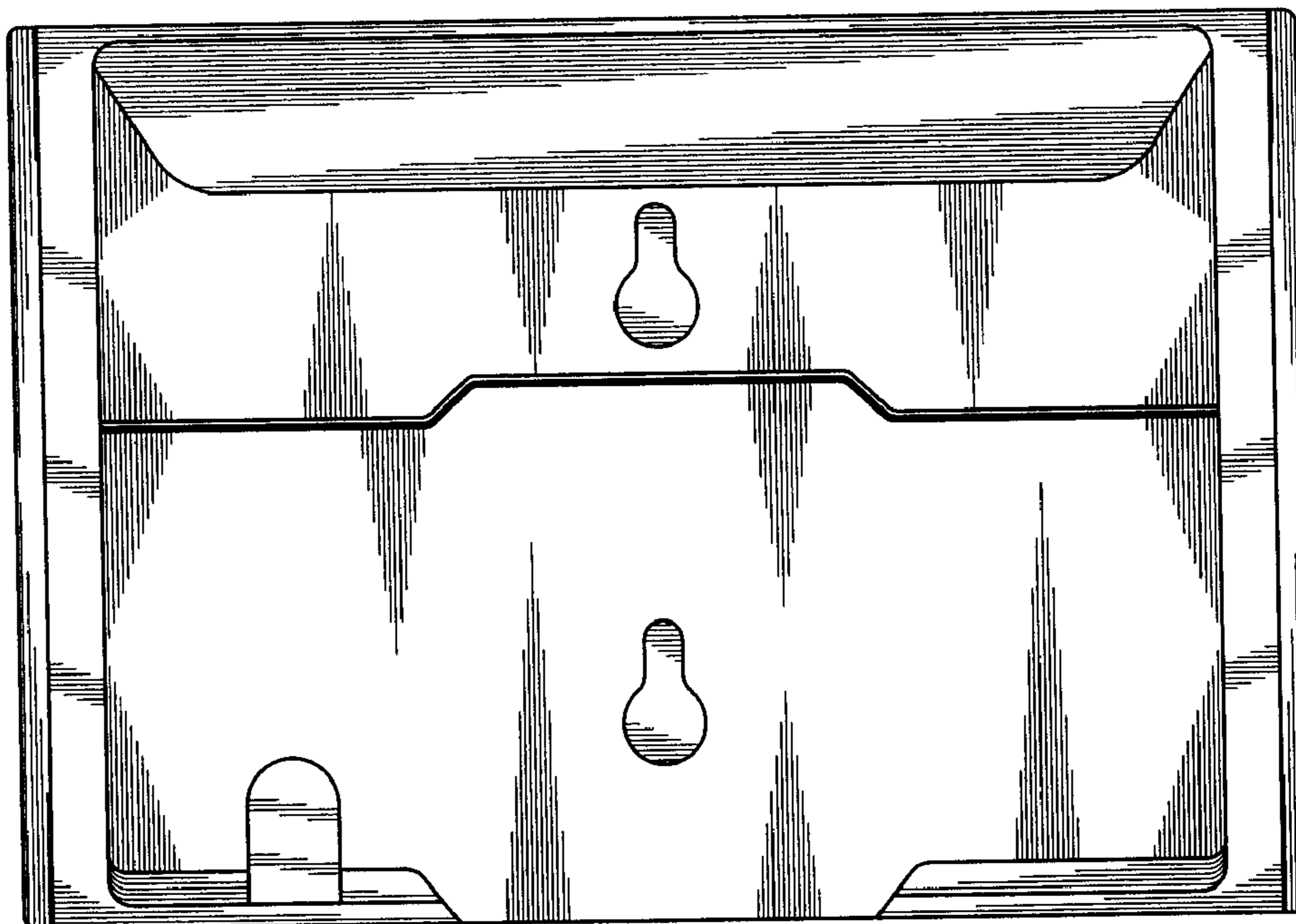


FIG. 3

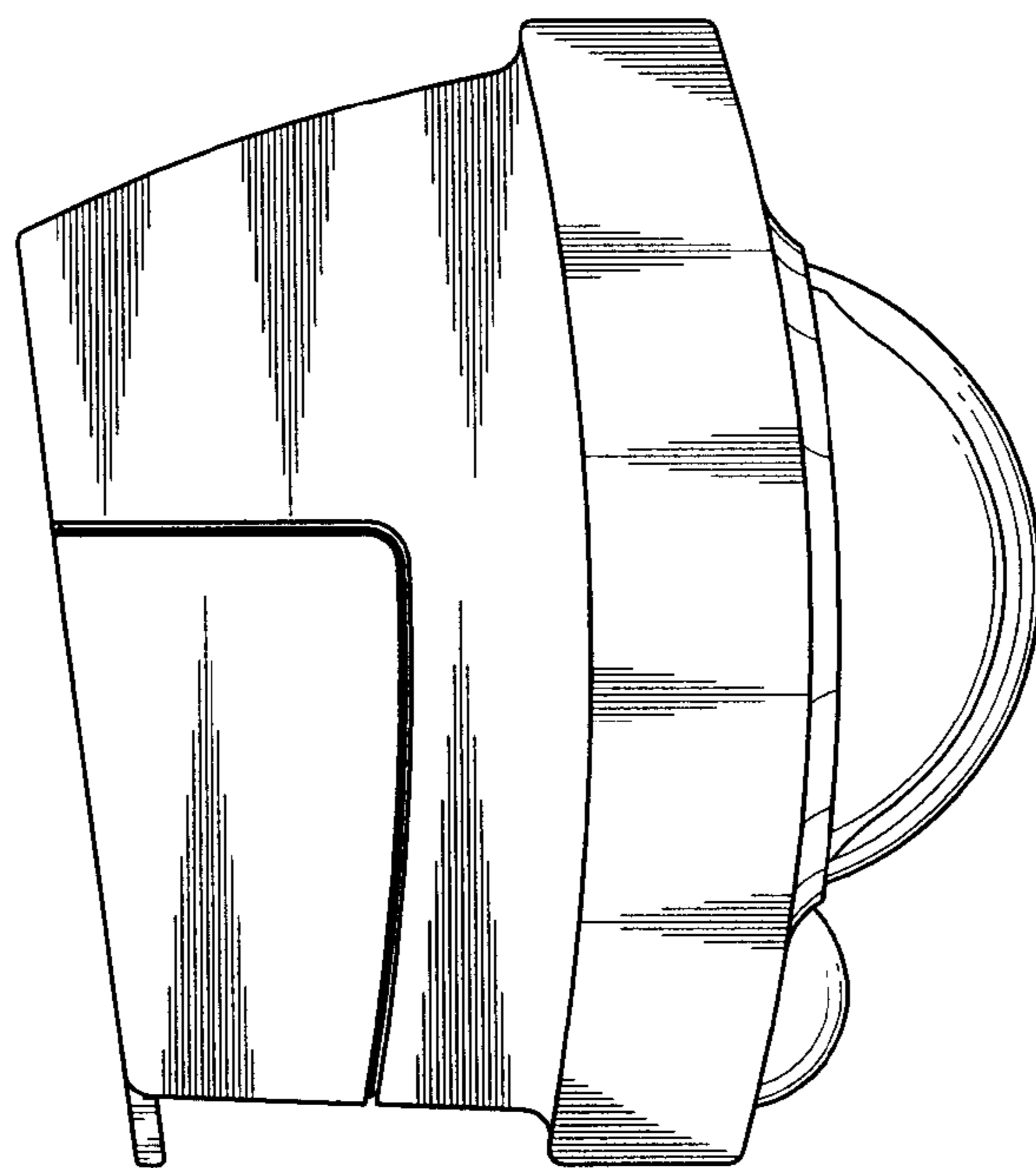


FIG. 4

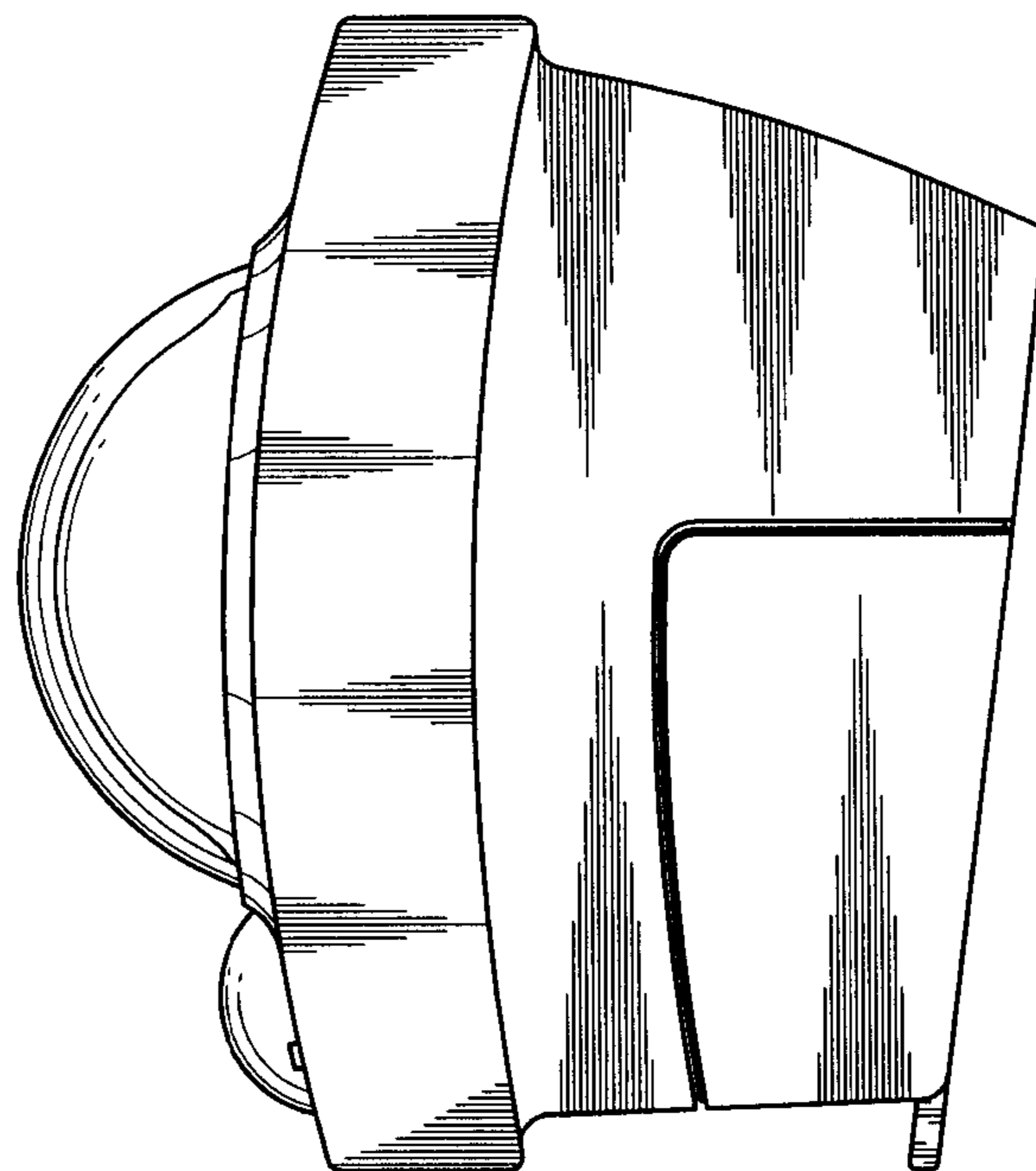


FIG. 5

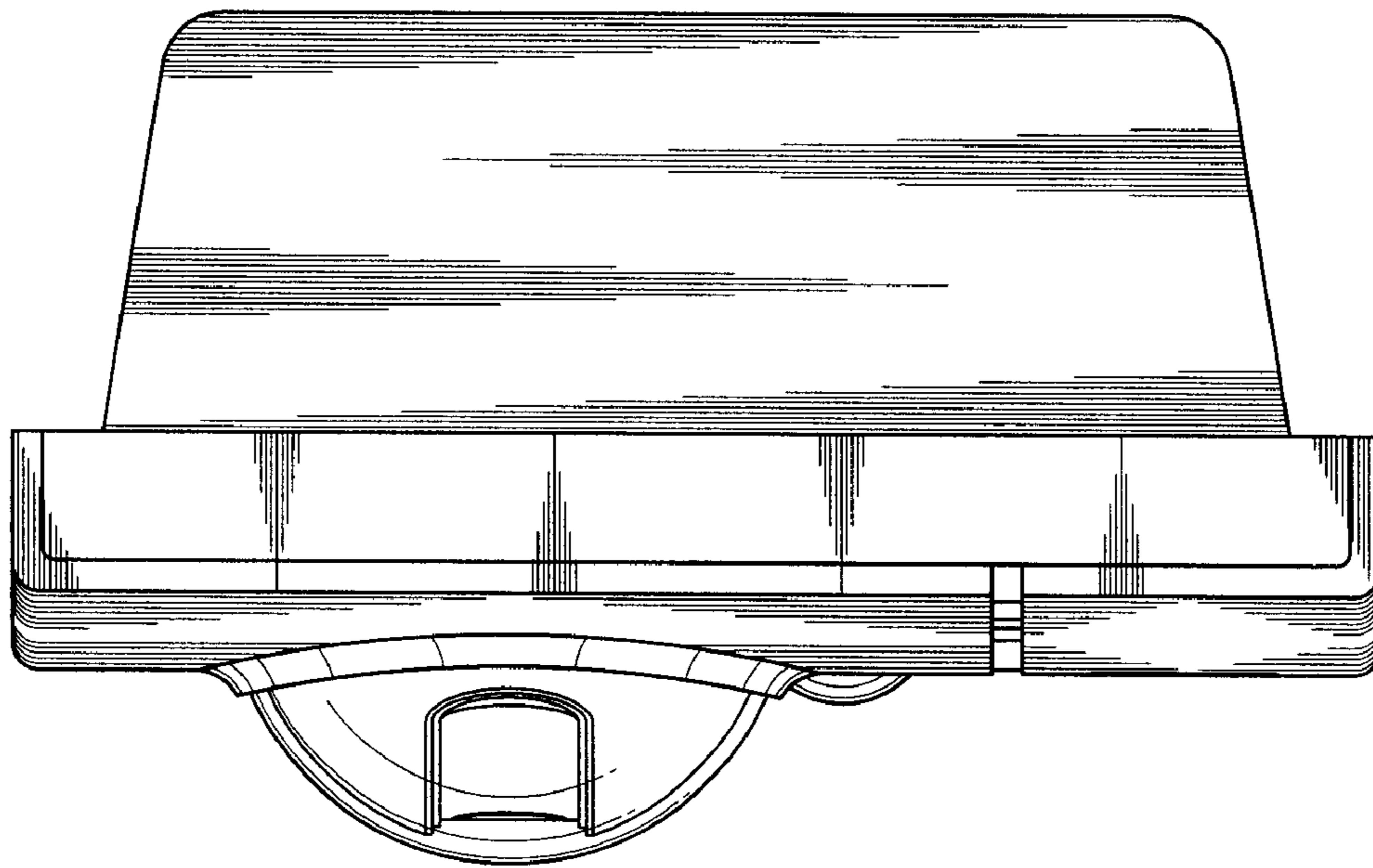


FIG. 6

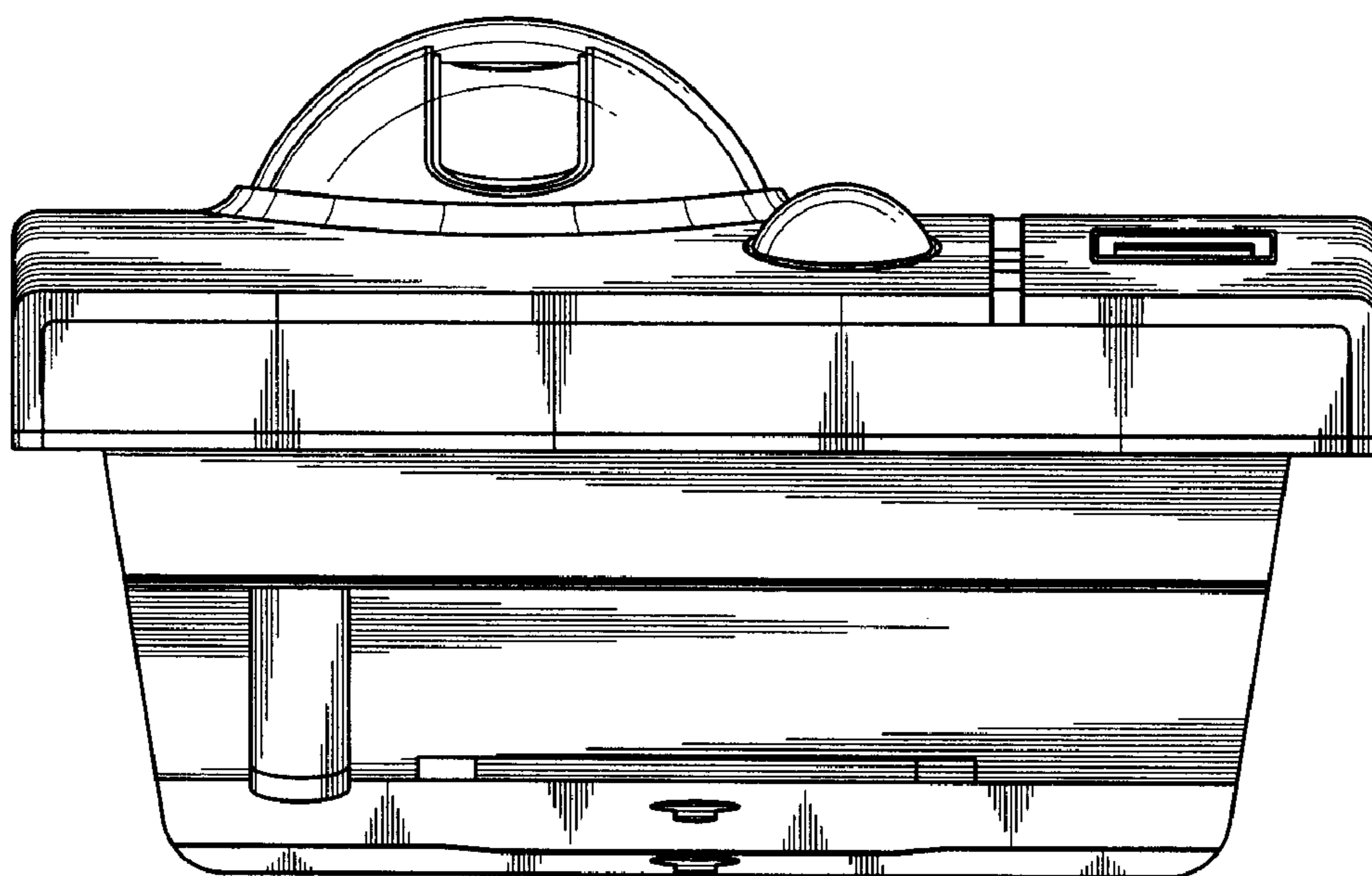


FIG. 7