



US00D534195S

(12) **United States Design Patent** (10) **Patent No.:** **US D534,195 S**
Ikenaga (45) **Date of Patent:** **** Dec. 26, 2006**

(54) **VIDEO CAMERA**

(75) Inventor: **Takashi Ikenaga**, Tokyo (JP)
(73) Assignee: **Sony Corporation**, Tokyo (JP)
(**) Term: **14 Years**

(21) Appl. No.: **29/222,097**
(22) Filed: **Jan. 27, 2005**

(51) **LOC (8) Cl.** **16-01**
(52) **U.S. Cl.** **D16/202**
(58) **Field of Classification Search** D16/200–205,
D16/208, 218; 348/373–376; 358/906, 909.1;
396/535–541
See application file for complete search history.

(56) **References Cited**

U.S. PATENT DOCUMENTS

5,294,988	A	*	3/1994	Wakabayashi et al.	348/373
5,739,859	A	*	4/1998	Hattori et al.	348/375
D407,097	S	*	3/1999	Suzuki et al.	D16/202
D408,428	S	*	4/1999	Ninomiya et al.	D16/202
D431,582	S		10/2000	Sumita et al.		
D450,073	S		11/2001	Sumita		
D463,469	S		9/2002	Kawase		
D488,495	S		4/2004	Shimizu		
D489,080	S	*	4/2004	Ito	D16/202
D499,437	S	*	12/2004	Miyamori et al.	D16/202
D499,439	S	*	12/2004	Horikiri et al.	D16/202
D500,069	S		12/2004	Hayashi		

FOREIGN PATENT DOCUMENTS

JP D1228316 S 1/2005

OTHER PUBLICATIONS

Web page “DCR–IP7” [http://www.ecat.sony.co.jp/camera/handycam/products/index.cfm?PD=20&KM=DCR–IP7](http://www.ecat.sony.co.jp/camera/handycam/products/index.cfm?PD=20&KM=DCR-IP7), 1 sheet, Sony (Dec. 2004).
Web page “DCR–PC350” [http://www.ecat.sony.co.jp/camera/handycam/products/index.cfm?PD=17620&KM=DCR–PC350](http://www.ecat.sony.co.jp/camera/handycam/products/index.cfm?PD=17620&KM=DCR-PC350), 1 sheet, Sony Marketing (Japan) Inc. (Dec. 2004).
Web page “GZ–MC200 HDDCAM” www.yodobashi.com, 1 sheet, Yodobashi Camera (Dec. 2004).

* cited by examiner

Primary Examiner—Adir Aronovich
(74) *Attorney, Agent, or Firm*—Rader, Fishman & Grauer PLLC

(57) **CLAIM**

The ornamental design for a video camera, as shown.

DESCRIPTION

FIG. 1 is a perspective view of a video camera showing my new design;
FIG. 2 is a front elevational view thereof;
FIG. 3 is a rear elevational view thereof;
FIG. 4 is a left side elevational view thereof;
FIG. 5 is a right side elevational view thereof;
FIG. 6 is a top plan view thereof; and,
FIG. 7 is a bottom plan view thereof.

1 Claim, 4 Drawing Sheets

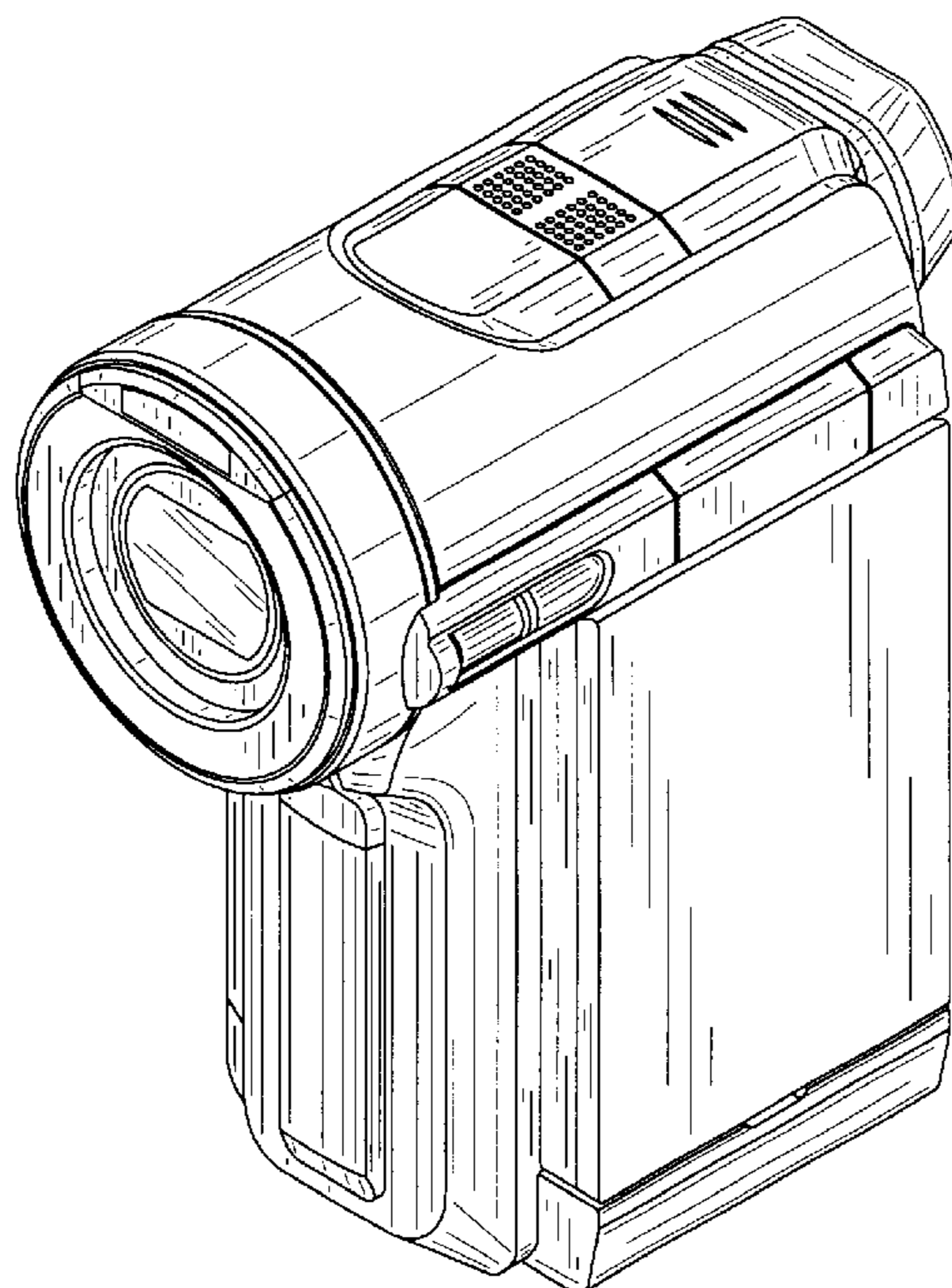


Fig. 1

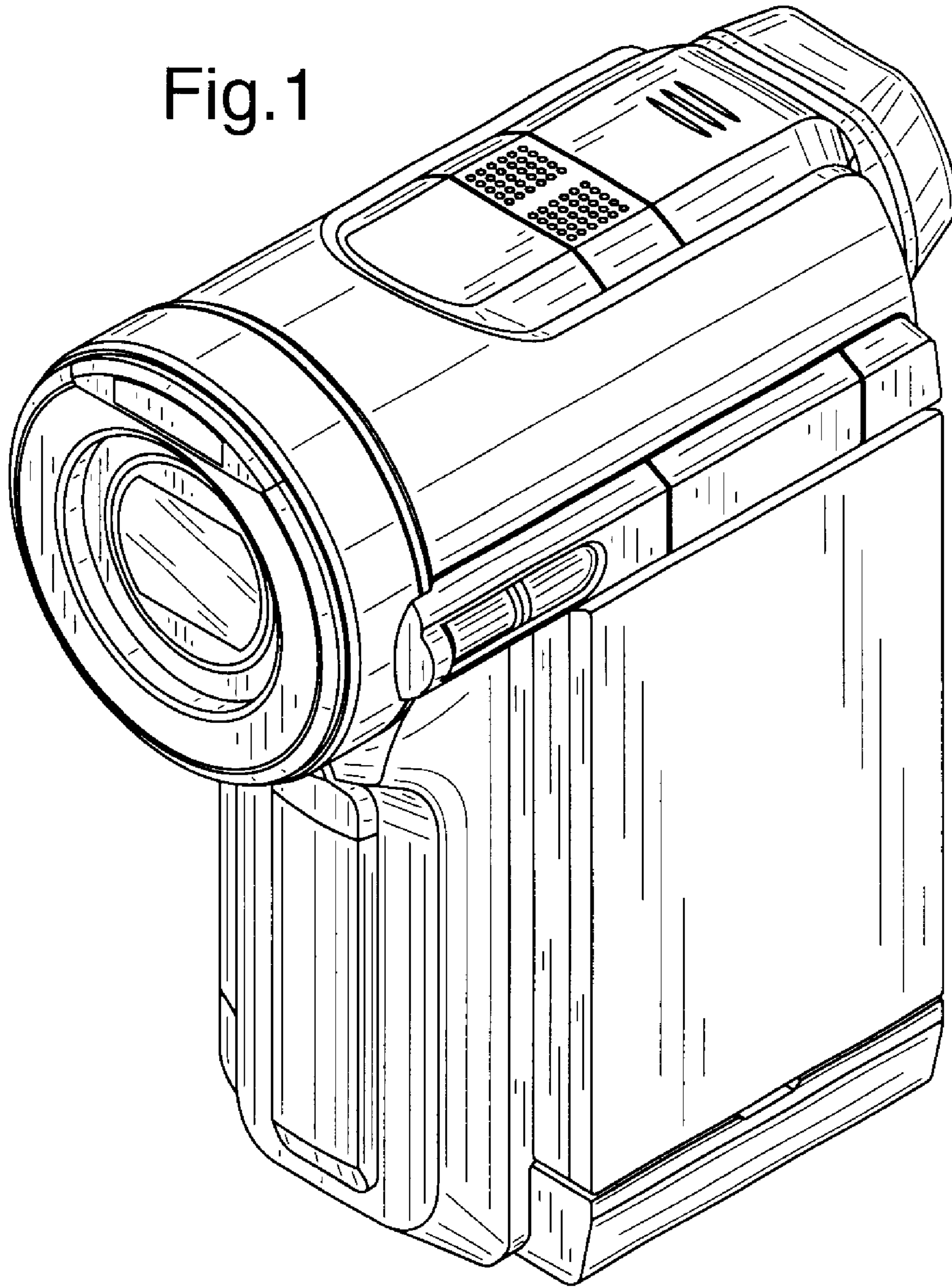


Fig.2

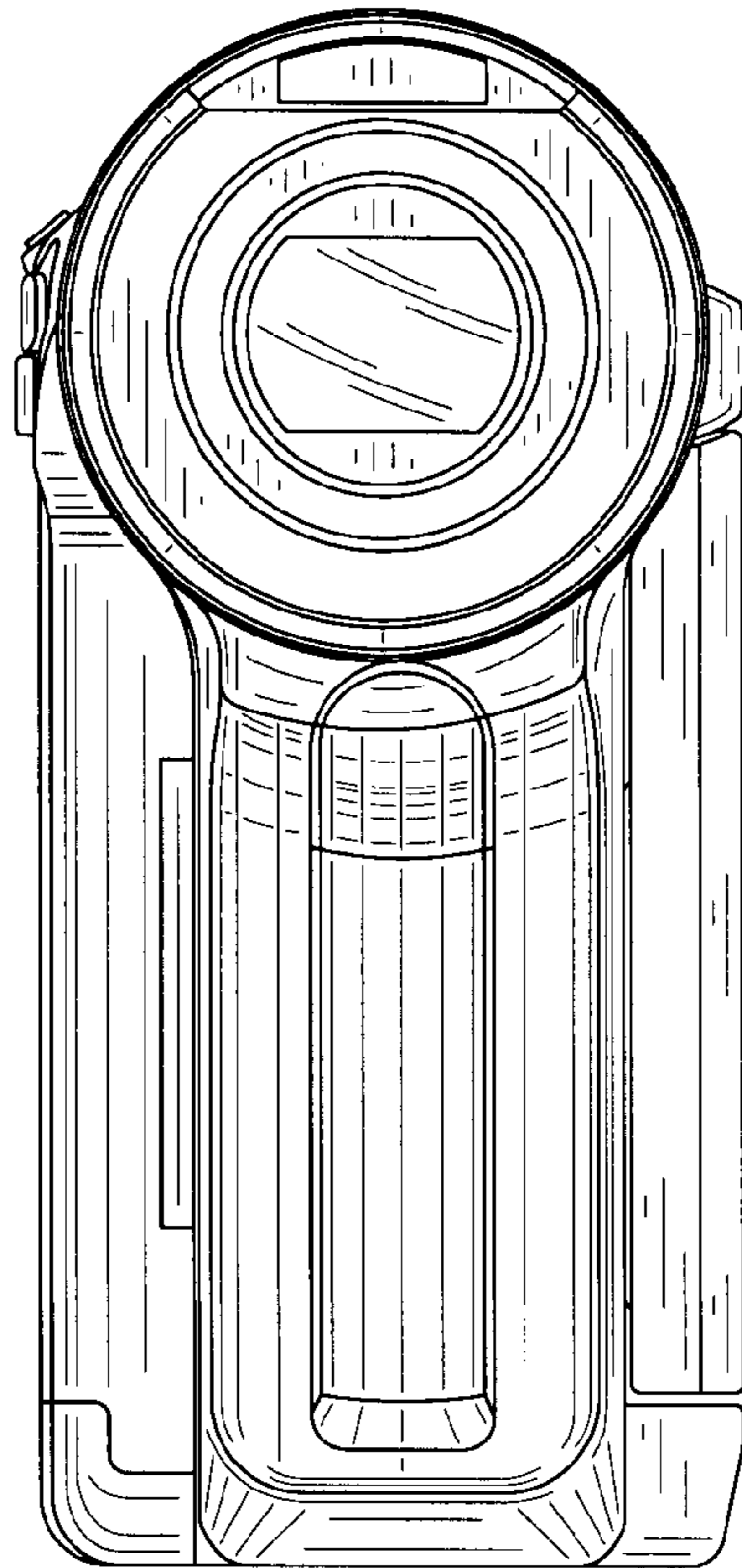


Fig.3

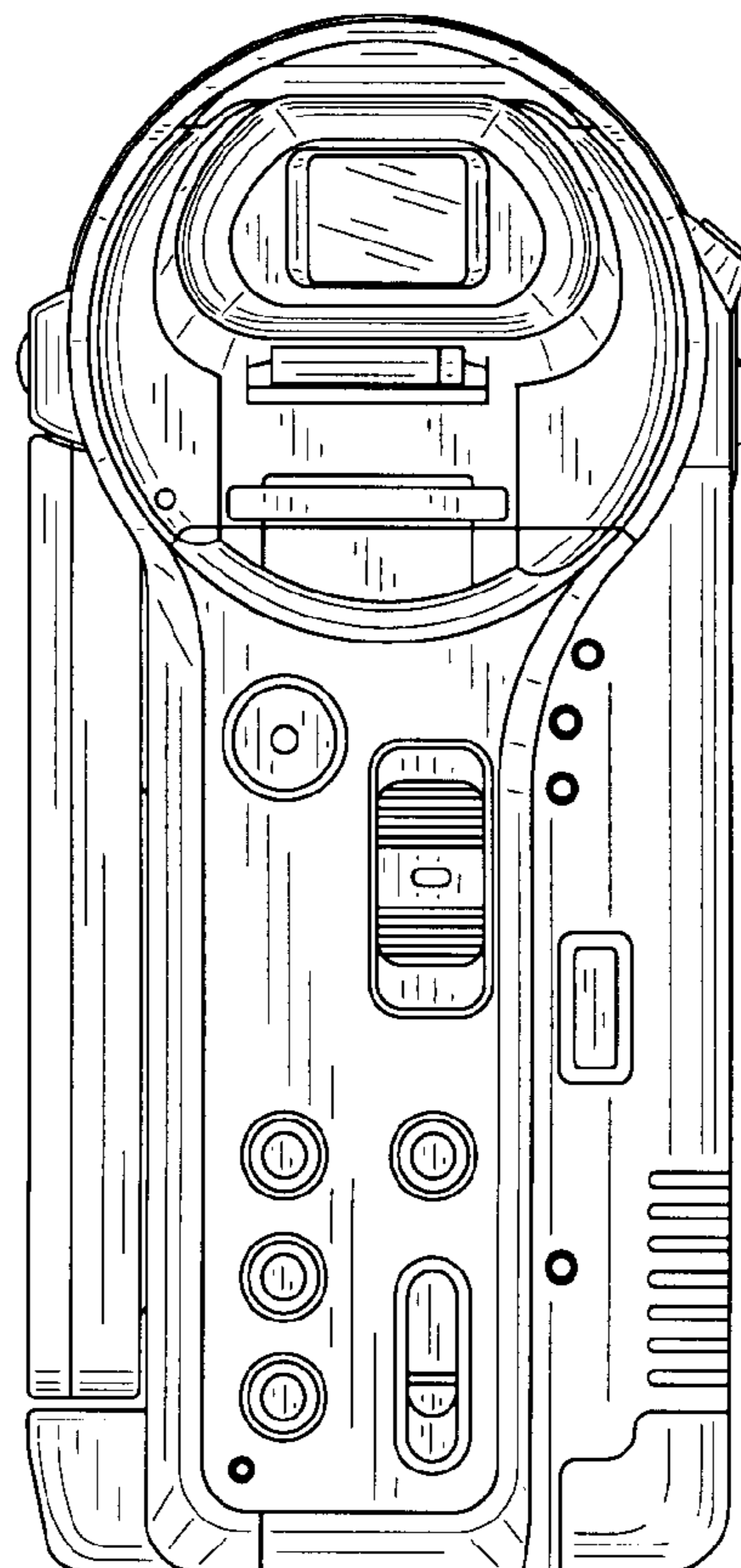


Fig.4

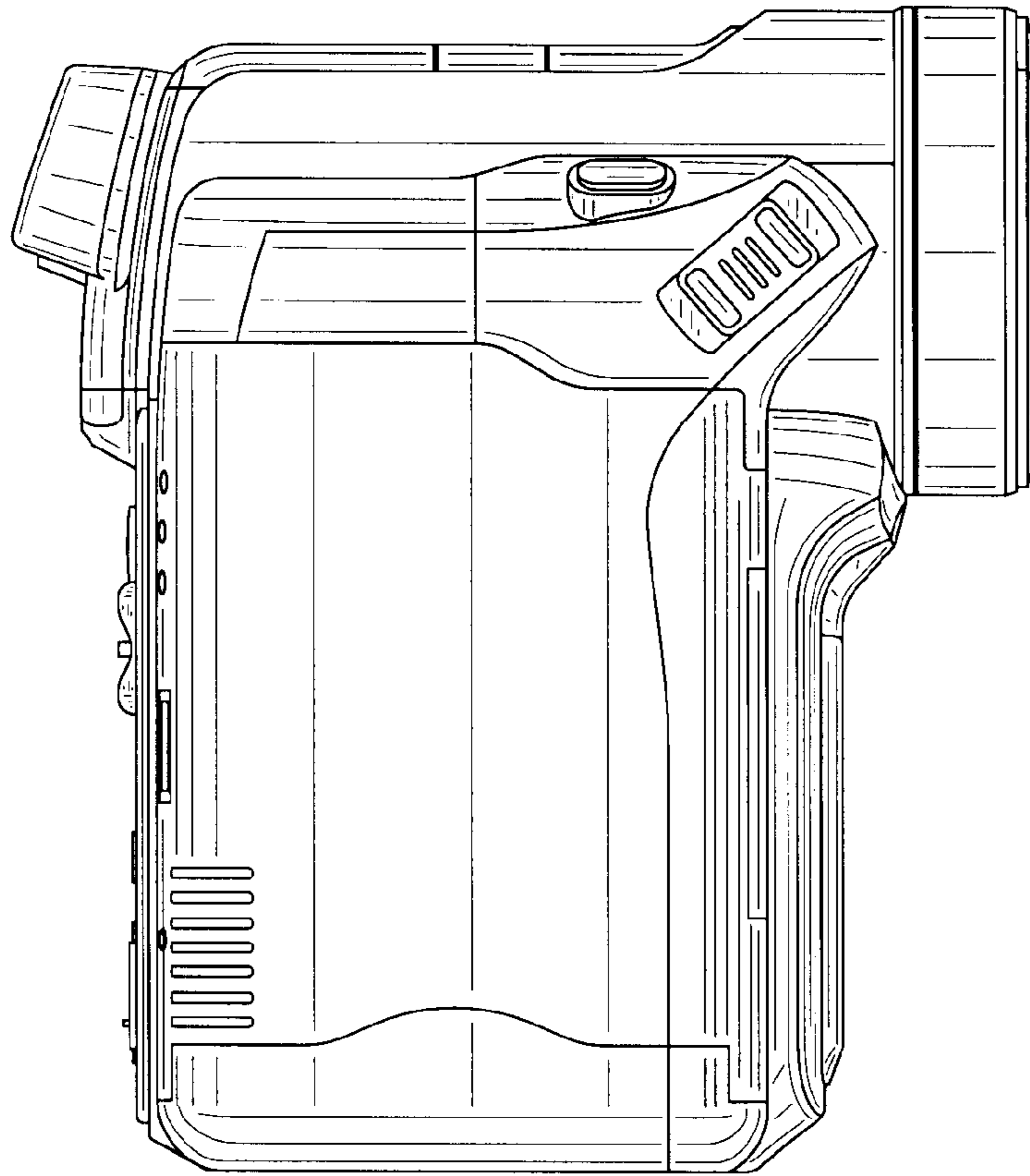


Fig.5

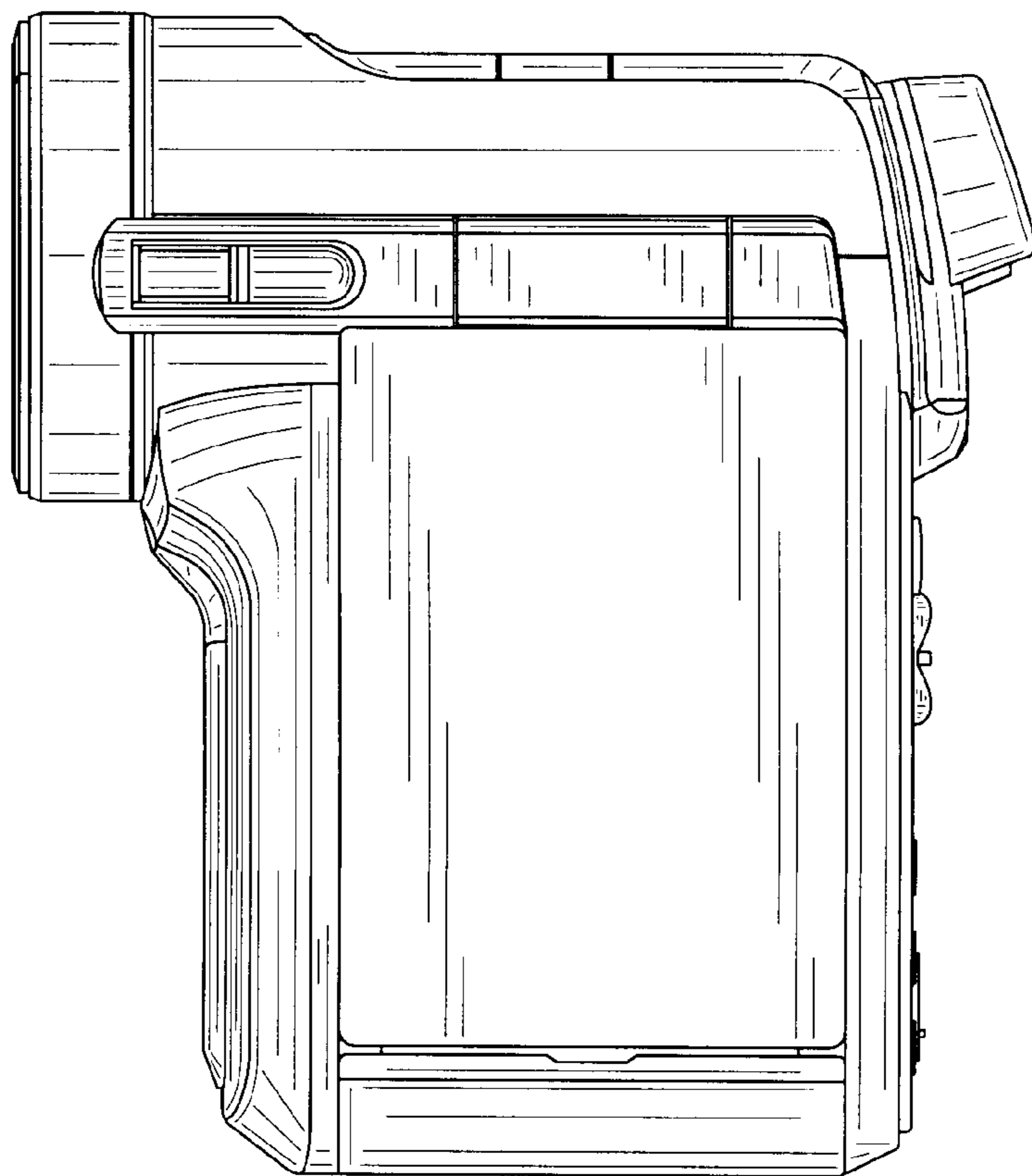


Fig.6

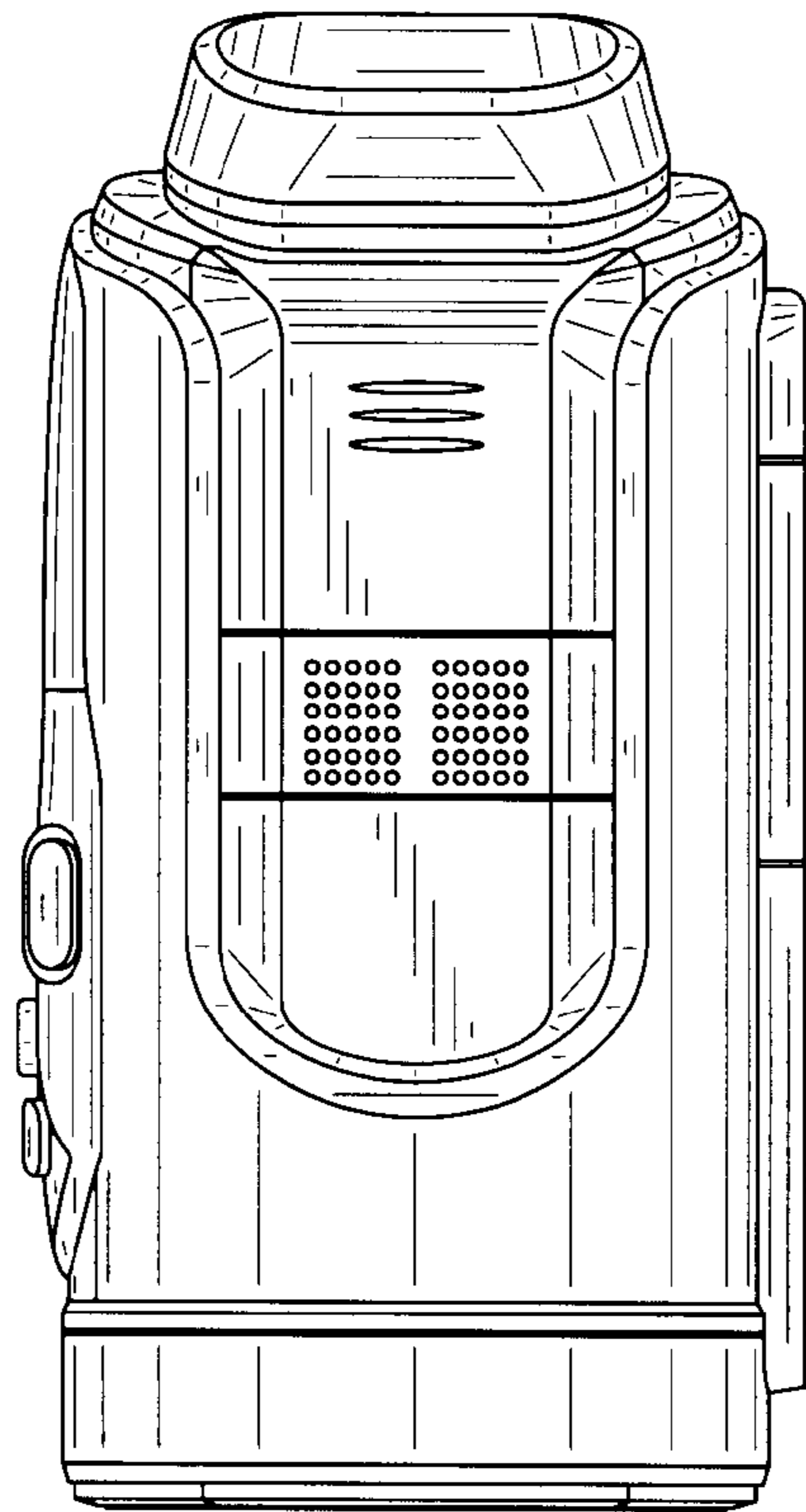


Fig.7

