



US00D534194S

(12) **United States Design Patent** (10) **Patent No.:** **US D534,194 S**  
**Hines et al.** (45) **Date of Patent:** **\*\* Dec. 26, 2006**

(54) **EYEPIECE FOR OPTICAL INSTRUMENTS**

5,930,034 A \* 7/1999 Fukumoto ..... 359/381

(75) Inventors: **David M. Hines**, Santa Ana, CA (US);  
**Paul Hobbs**, Lake Forest, CA (US);  
**Steven Murdock**, Mission Viejo, CA (US)

(73) Assignee: **Meade Instruments Corporation**,  
Irvine, CA (US)

(\*\*) Term: **14 Years**

(21) Appl. No.: **29/221,401**

(22) Filed: **Jan. 14, 2005**

(51) **LOC (8) Cl.** ..... **16-06**

(52) **U.S. Cl.** ..... **D16/134; D16/130**

(58) **Field of Classification Search** ..... D16/101,  
D16/130, 131, 132, 134, 136, 219, 220, 305,  
D16/381, 384, 368; D22/108, 109; 359/368,  
359/379, 381, 384, 399, 407, 421, 672, 673,  
359/694, 700, 701, 704, 808, 811, 815, 819,  
359/823, 826, 827, 829, 830, 892; 434/303;  
362/455; 396/103, 303, 227, 696; 355/21  
See application file for complete search history.

(56) **References Cited**

**U.S. PATENT DOCUMENTS**

- 1,767,850 A \* 6/1930 Howell ..... 359/827
- 2,574,072 A \* 11/1951 Updegraff ..... 355/21
- 3,112,570 A \* 12/1963 De Vasconcellos ..... 434/303
- D243,172 S \* 1/1977 Uetake et al. .... D16/134
- D274,625 S \* 7/1984 Loucks ..... D16/220
- D331,589 S \* 12/1992 Yamamoto ..... D16/134
- 5,337,177 A \* 8/1994 Toyoda et al. .... 359/384

**OTHER PUBLICATIONS**

[http://www.handsonoptics.com/ep\\_pentax.html](http://www.handsonoptics.com/ep_pentax.html), "Hands On Optics", 1 page downloaded and printed from the World Wide Web on or about Jul. 14, 2005.

[http://www.telescopes.com/products/Pentax\\_SMC\\_XW\\_20mm\\_Eyepiece\\_1-14\\_Inch\\_Format\\_24674.html](http://www.telescopes.com/products/Pentax_SMC_XW_20mm_Eyepiece_1-14_Inch_Format_24674.html), "Eyepieces and Lenses", 1 page downloaded and printed from the World Wide Web on or about Jul. 14, 2005.

\* cited by examiner

*Primary Examiner*—Paula A. Greene

(74) *Attorney, Agent, or Firm*—Knobbe, Martens, Olson & Bear LLP

(57) **CLAIM**

The ornamental design for an eyepiece for optical instruments, as shown and described.

**DESCRIPTION**

FIG. 1 is a front top perspective view of an eyepiece showing our new design;

FIG. 2 is a front bottom perspective view thereof;

FIG. 3 is a side elevation view thereof;

FIG. 4 is a side elevation view thereof;

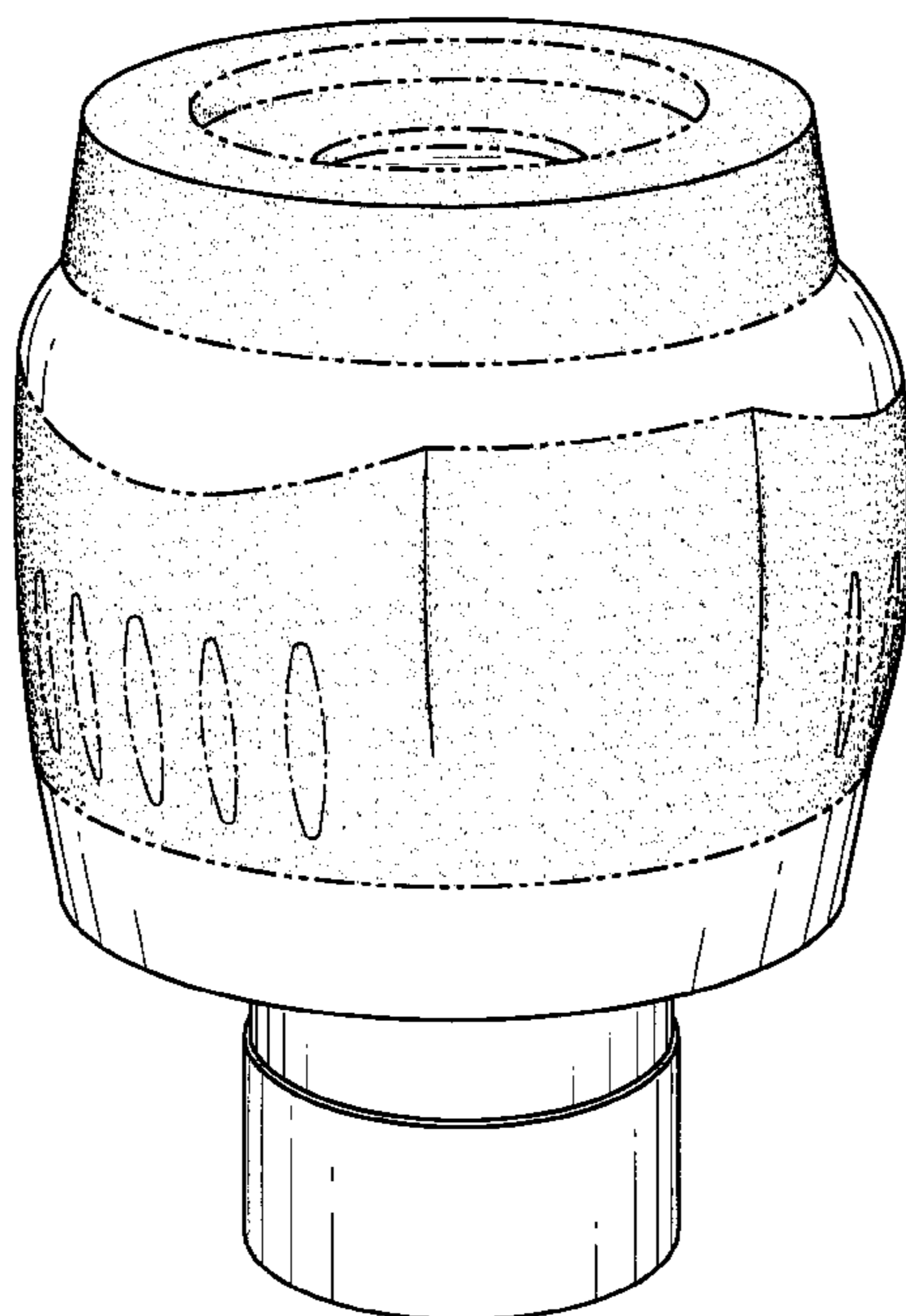
FIG. 5 is a side elevation view thereof;

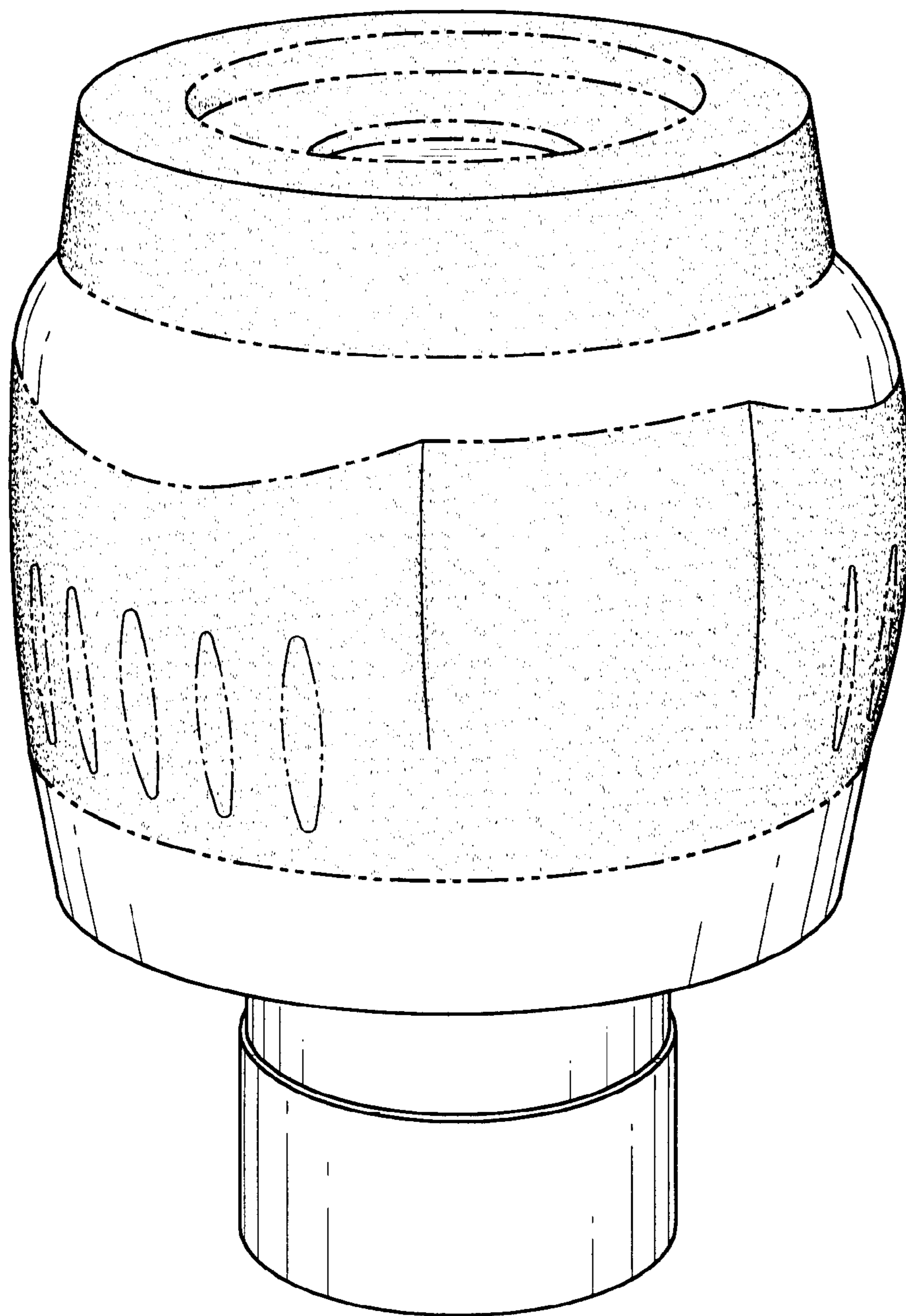
FIG. 6 is a bottom plan view thereof; and,

FIG. 7 is a top plan view thereof.

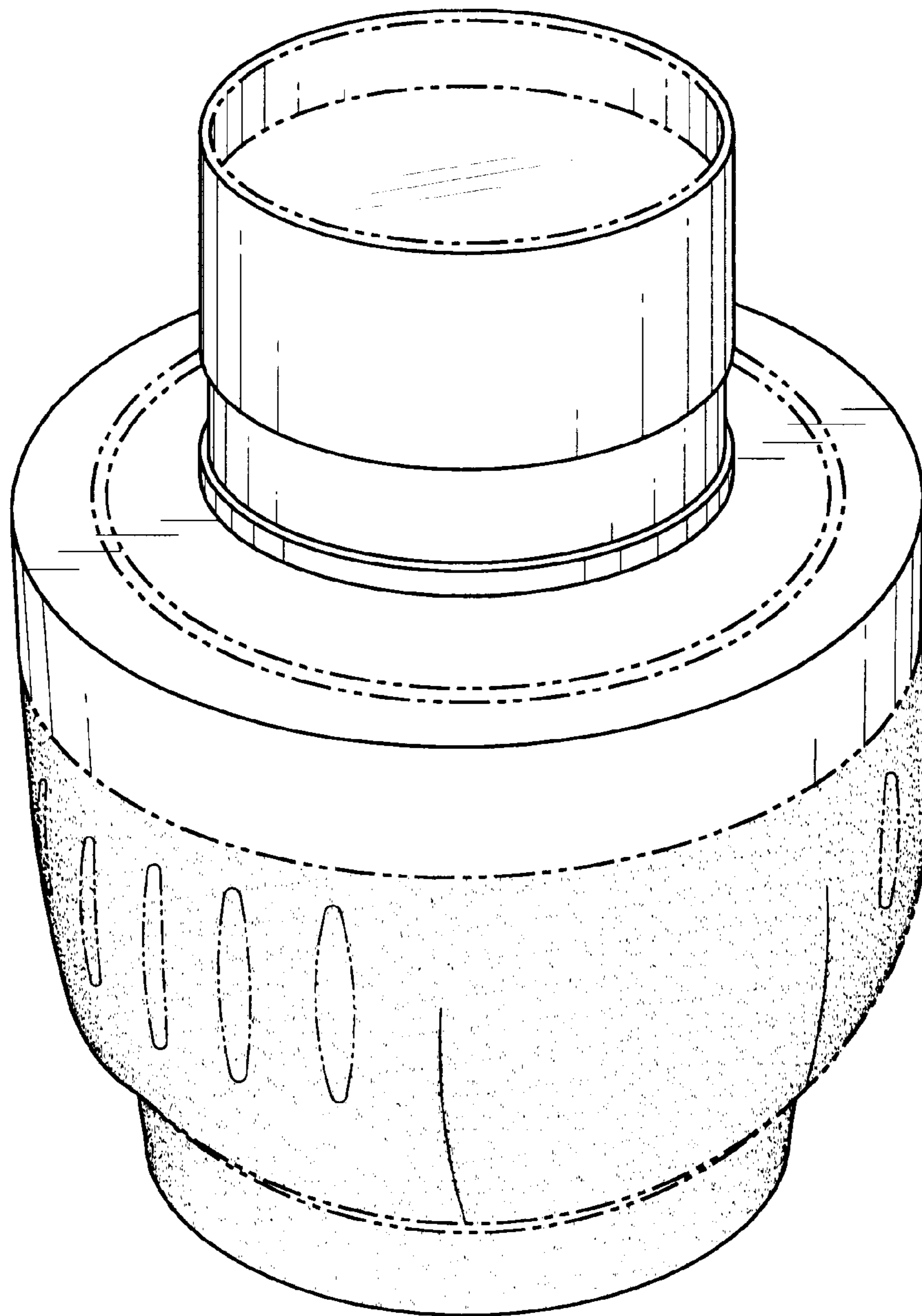
Phantom lining, broken lining, hatching or shading are for utilized for illustrative purposes only (such as, for example, illustrating rubber versus brushed steel surfaces), and do not limit or form any part of the claimed design.

**1 Claim, 4 Drawing Sheets**

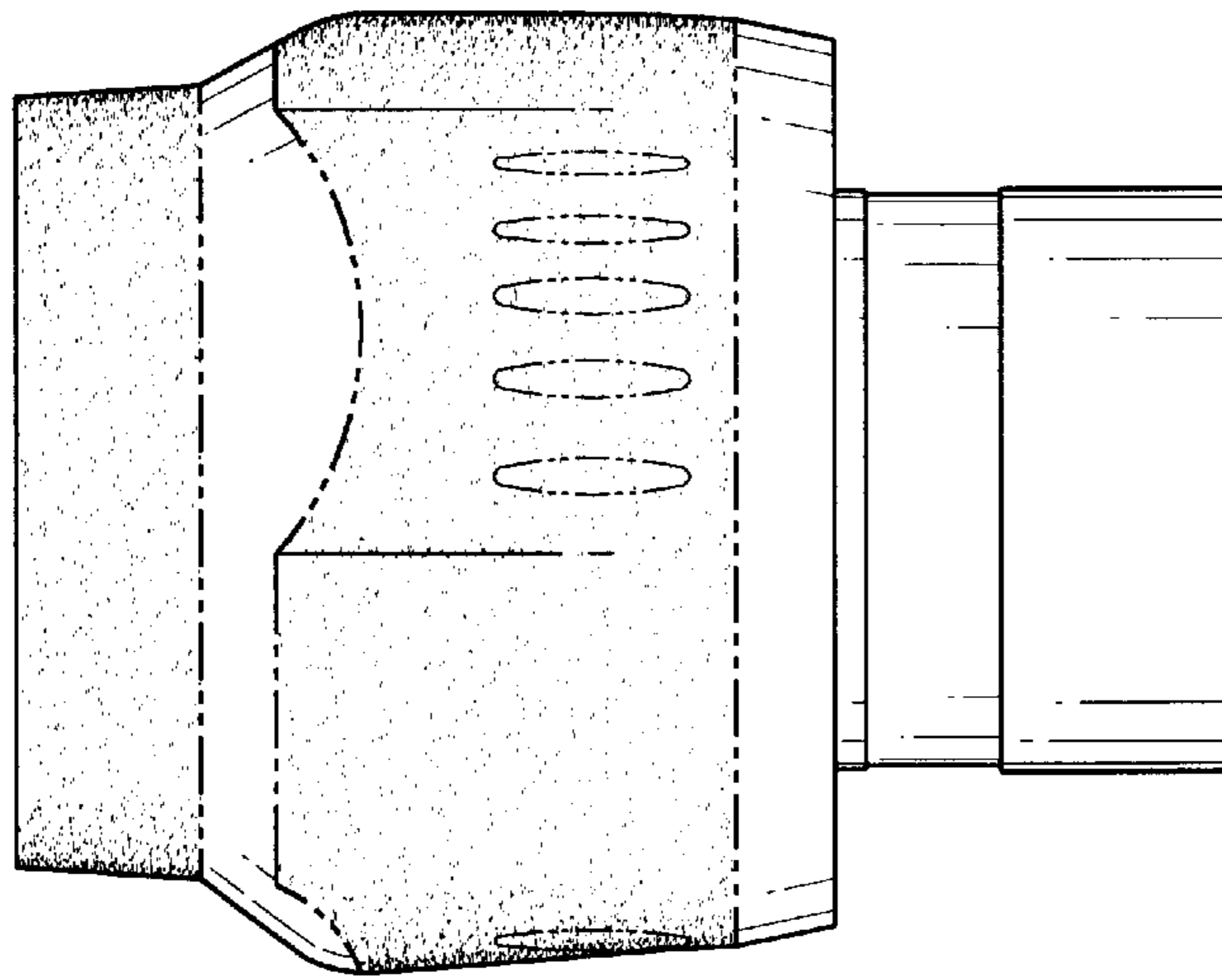




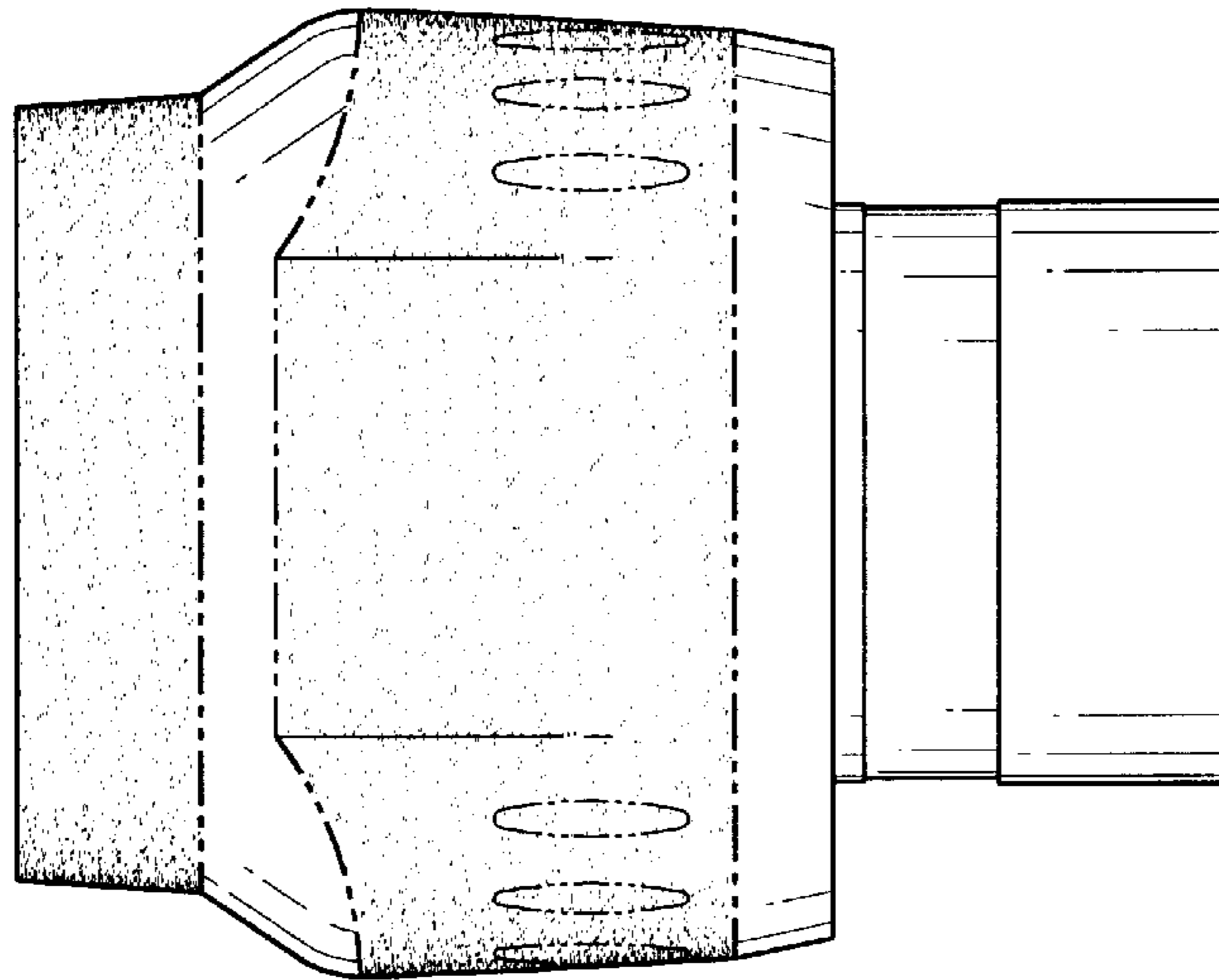
*FIG. 1*



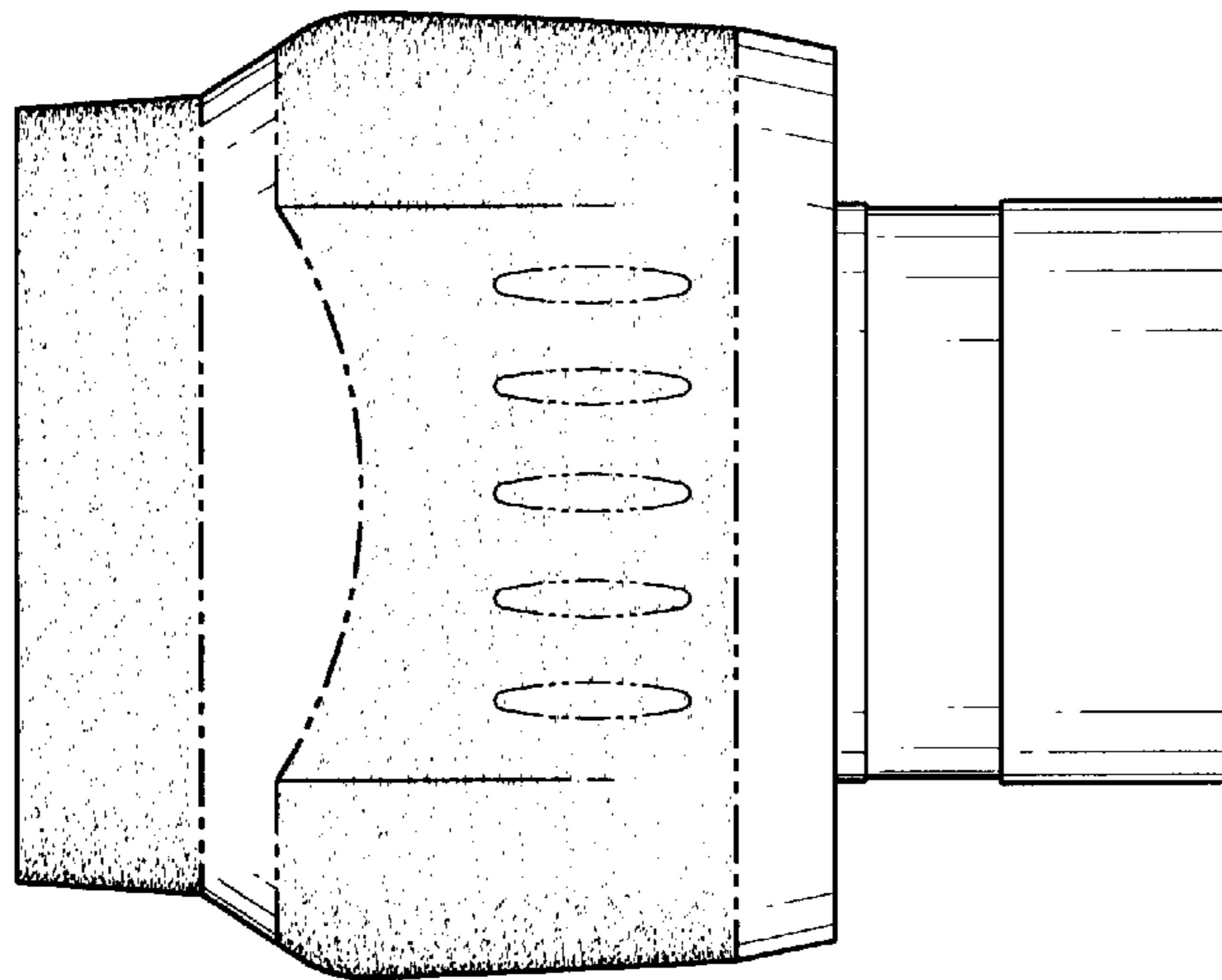
*FIG. 2*



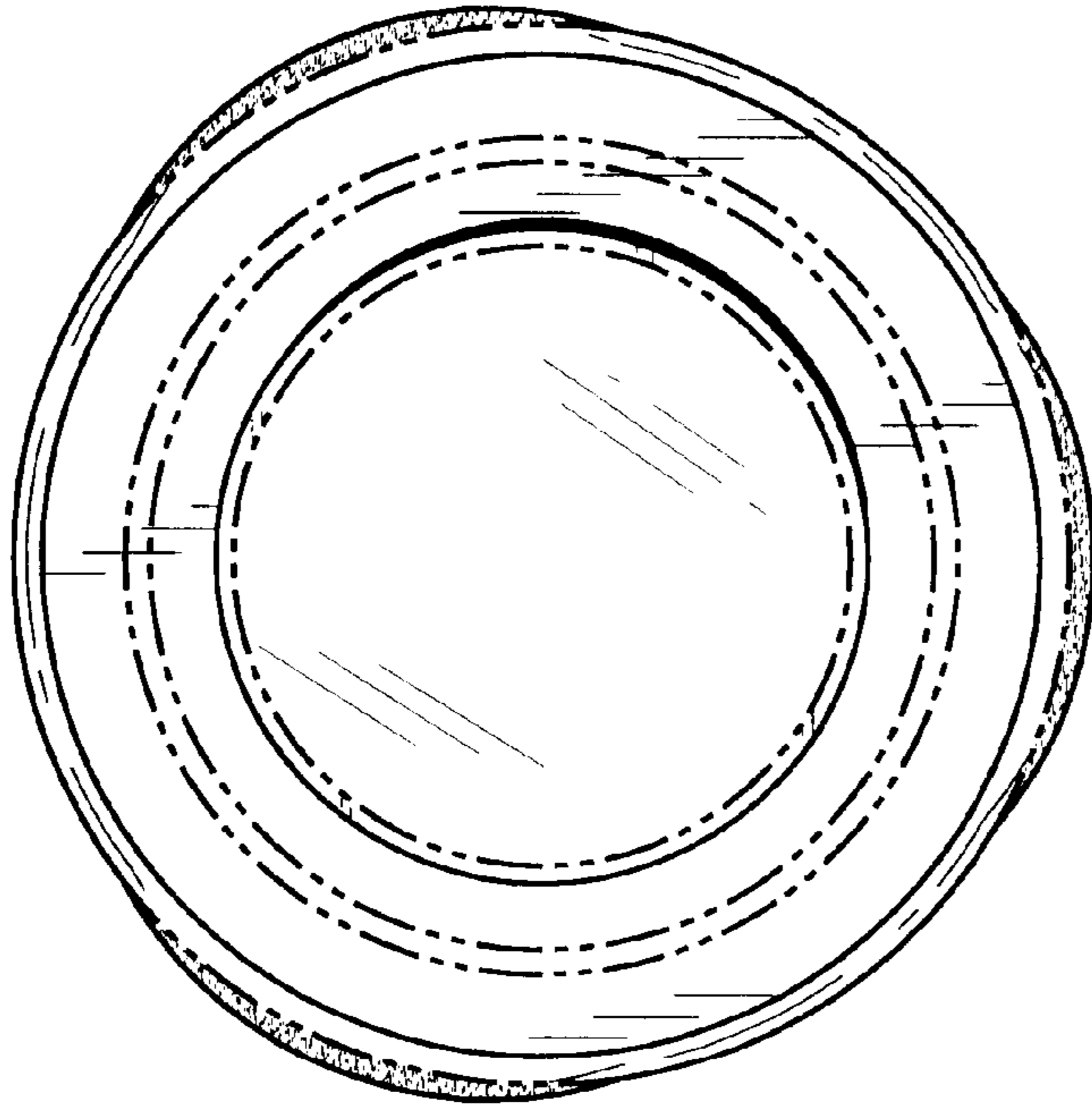
*FIG. 3*



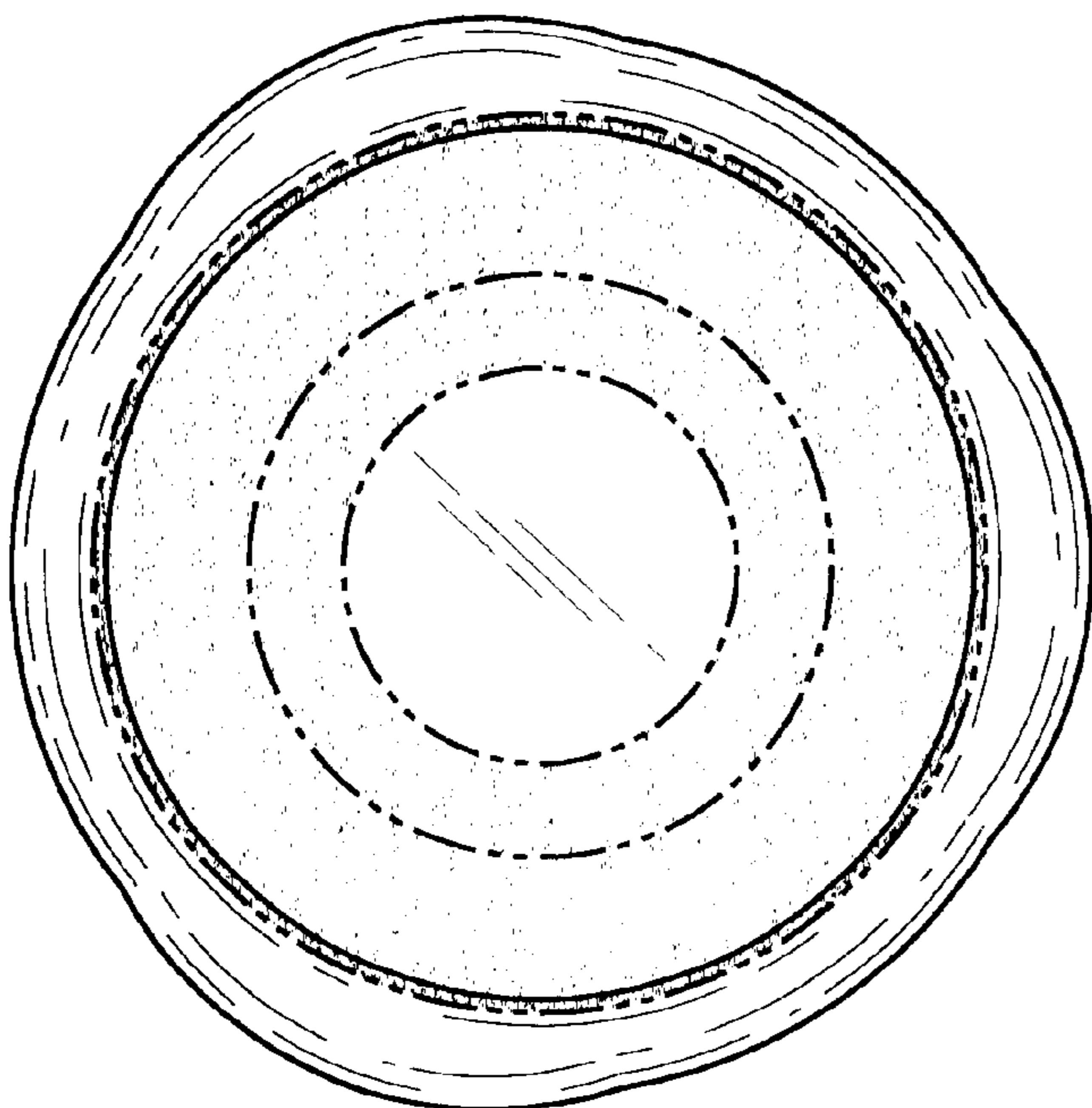
*FIG. 4*



*FIG. 5*



*FIG. 7*



*FIG. 6*