

US00D534192S

(12) **United States Design Patent** (10) **Patent No.:** **US D534,192 S**
Kiple et al. (45) **Date of Patent:** **** Dec. 26, 2006**

(54) **ARCH LAMINATOR**

(75) Inventors: **Jean Ellen Kiple**, Lake Villa, IL (US);
Jimmy-Quang Viet Doan, Chicago, IL (US)

(73) Assignee: **Fellowes, Inc.**, Itasca, IL (US)

(**) Term: **14 Years**

(21) Appl. No.: **29/220,647**

(22) Filed: **Jan. 3, 2005**

(51) **LOC (8) Cl.** **15-99**

(52) **U.S. Cl.** **D15/145**

(58) **Field of Classification Search** D15/145,
D15/146; 53/432, 434, 510; 156/499, 583.8,
156/583.9

See application file for complete search history.

(56) **References Cited**

U.S. PATENT DOCUMENTS

D354,967 S	*	1/1995	Lim	D15/145
D442,199 S	*	5/2001	Cheng	D15/146
D443,883 S	*	6/2001	Reuter	D15/146
D453,172 S	*	1/2002	Cheng	D15/146

* cited by examiner

Primary Examiner—Antoine D. Davis

Assistant Examiner—Patricia Palasik

(74) *Attorney, Agent, or Firm*—Barnes & Thornburg LLP

(57) **CLAIM**

The ornamental design for an arch laminator, as shown and described.

DESCRIPTION

FIG. 1 is a perspective view of the laminator with the dust cover closed.

FIG. 2 is a perspective view of the laminator with the dust cover open.

FIG. 3 is a top elevational view of the laminator with the dust cover closed.

FIG. 4 is a top elevational view of the laminator with the dust cover opened.

FIG. 5 is a front elevational view of the laminator with the dust cover closed.

FIG. 6 is a bottom elevational view of the laminator with the dust cover closed.

FIG. 7 is a bottom plan view of the laminator with the dust cover open.

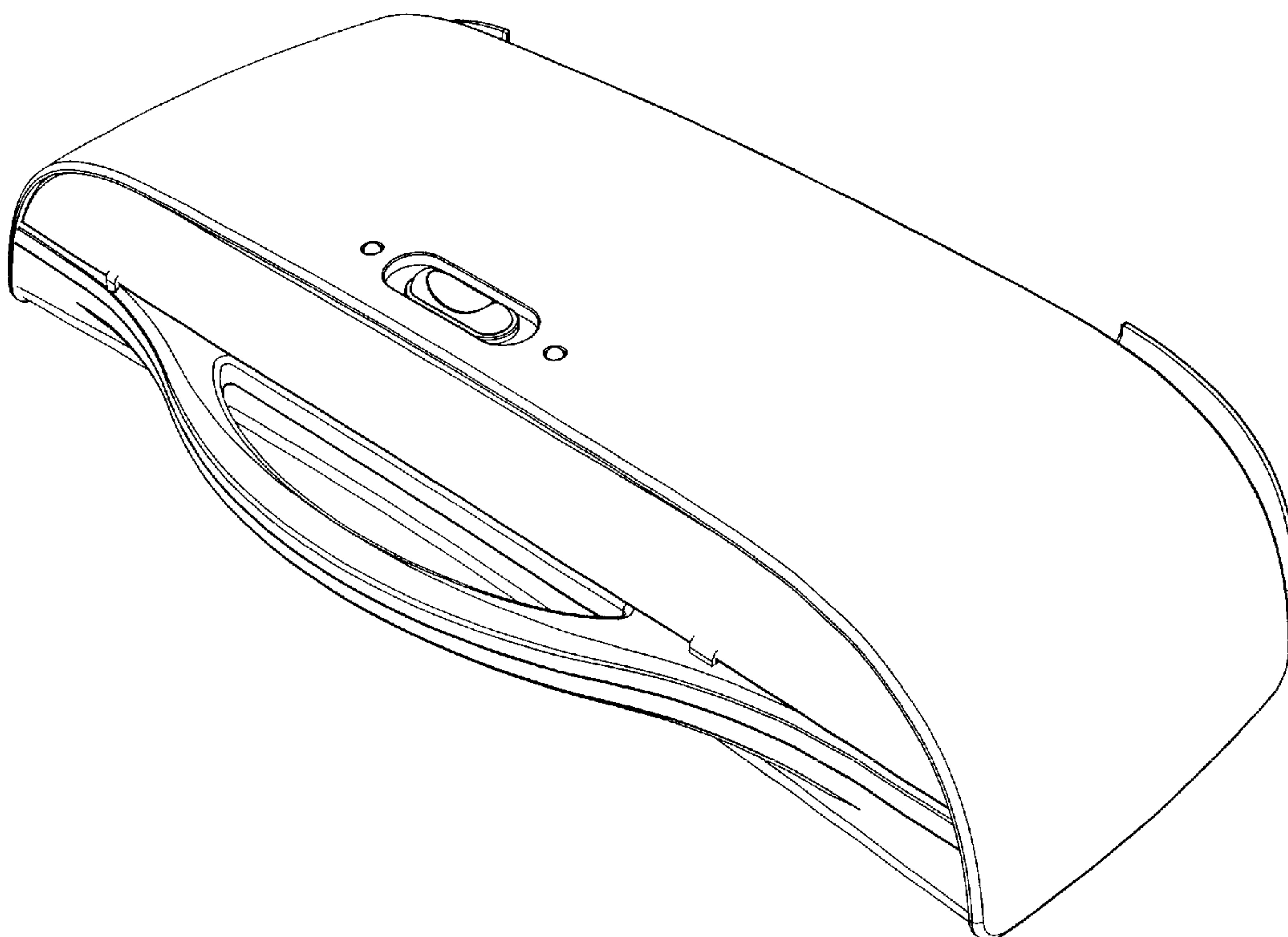
FIG. 8 is a rear elevational view of the laminator.

FIG. 9 is a left side elevational view of the laminator with the dust cover closed; and,

FIG. 10 is a right side elevational view of the laminator with the dust cover open.

The broken line showing is for illustrative purposes only and forms no part of the claimed design.

1 Claim, 9 Drawing Sheets



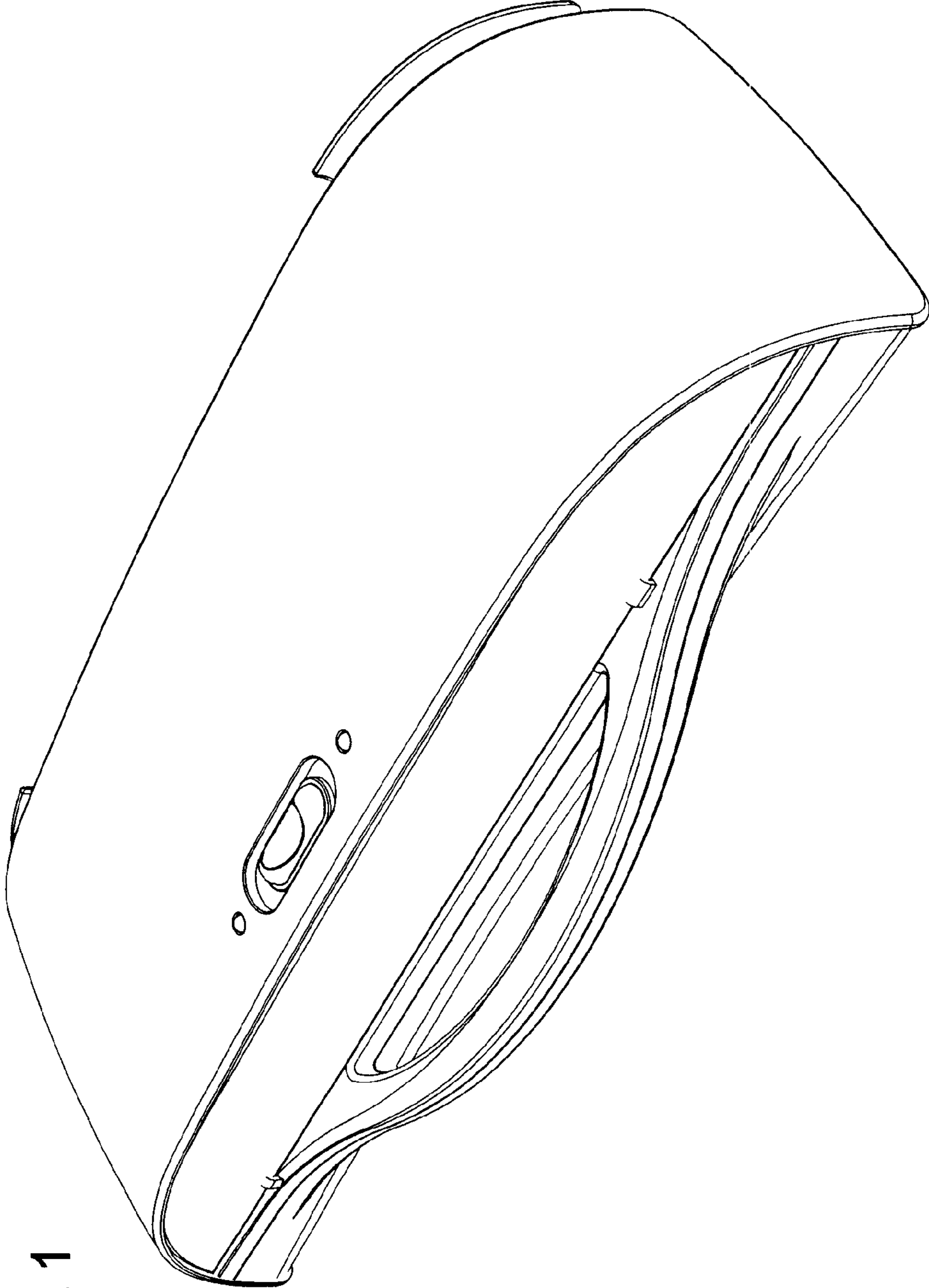


Fig. 1

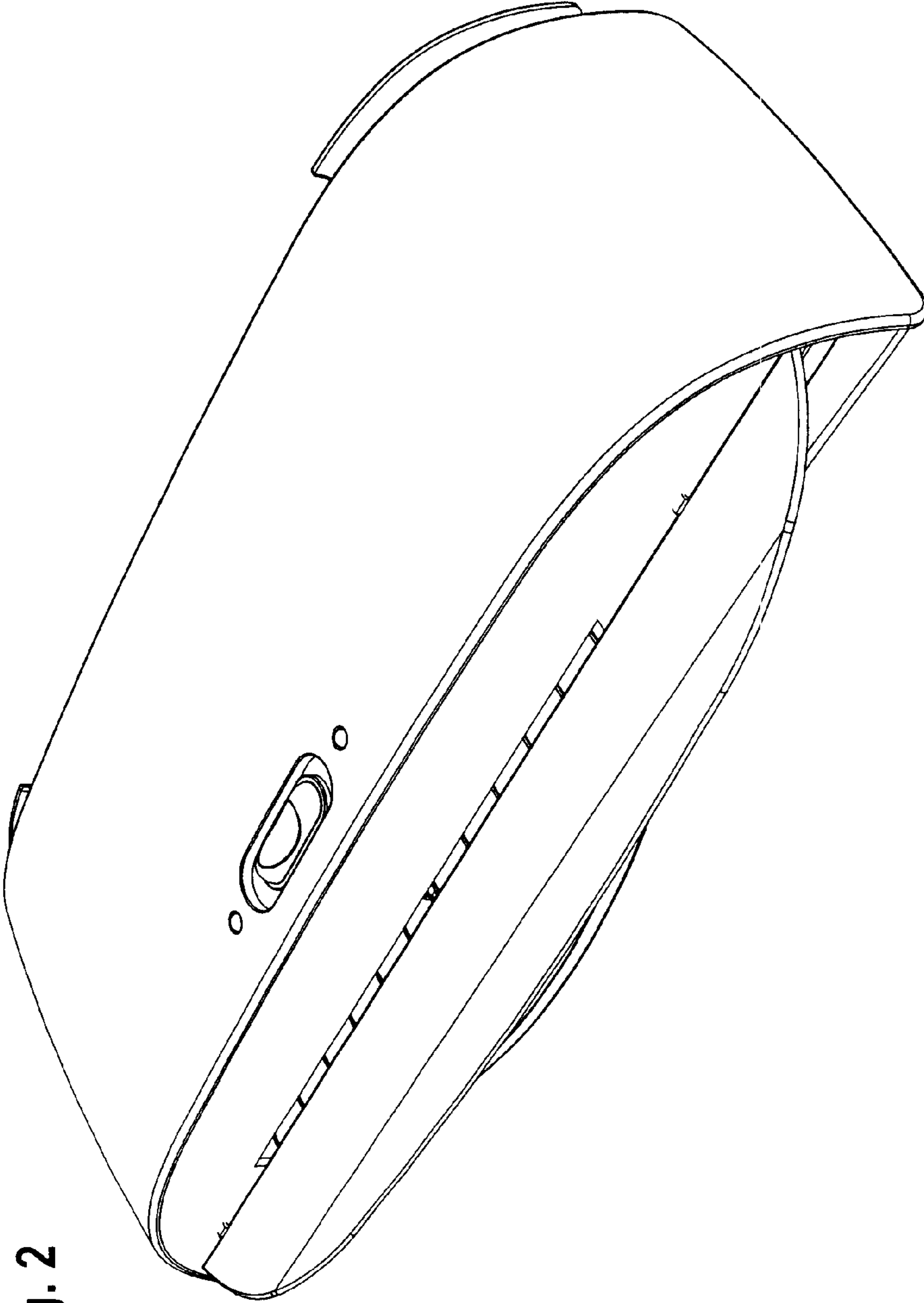


Fig. 2

Fig. 3

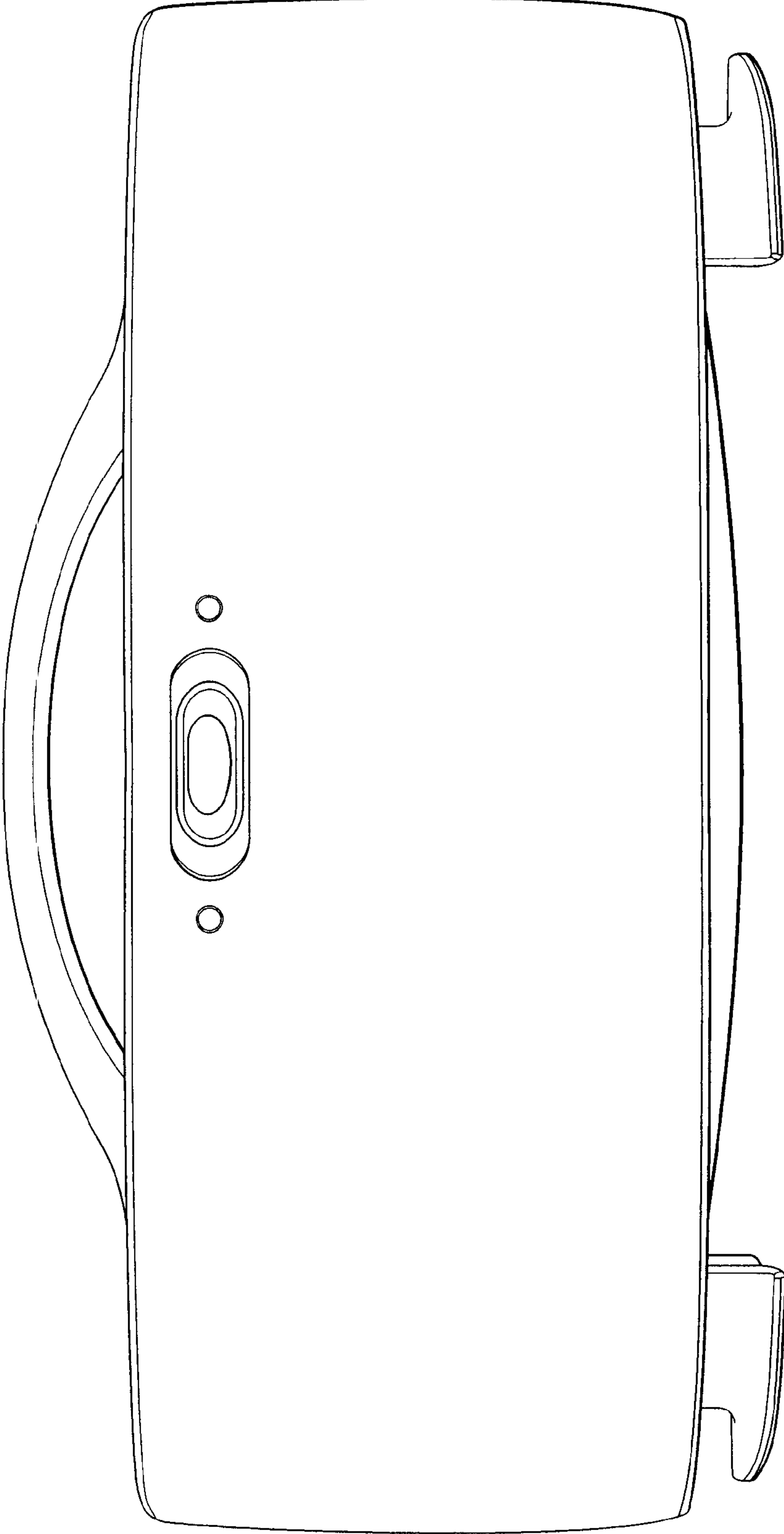


Fig. 4

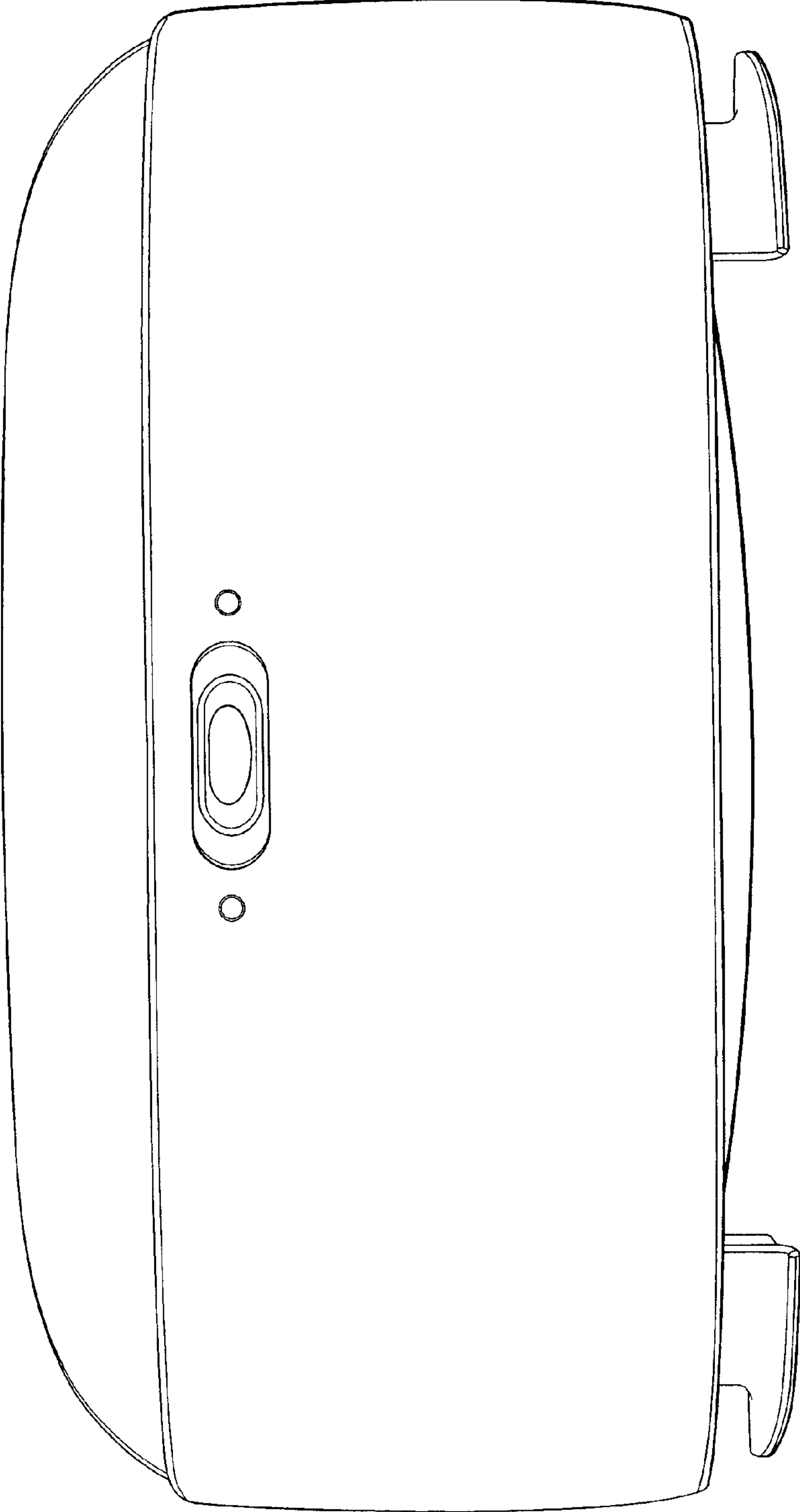


Fig. 5

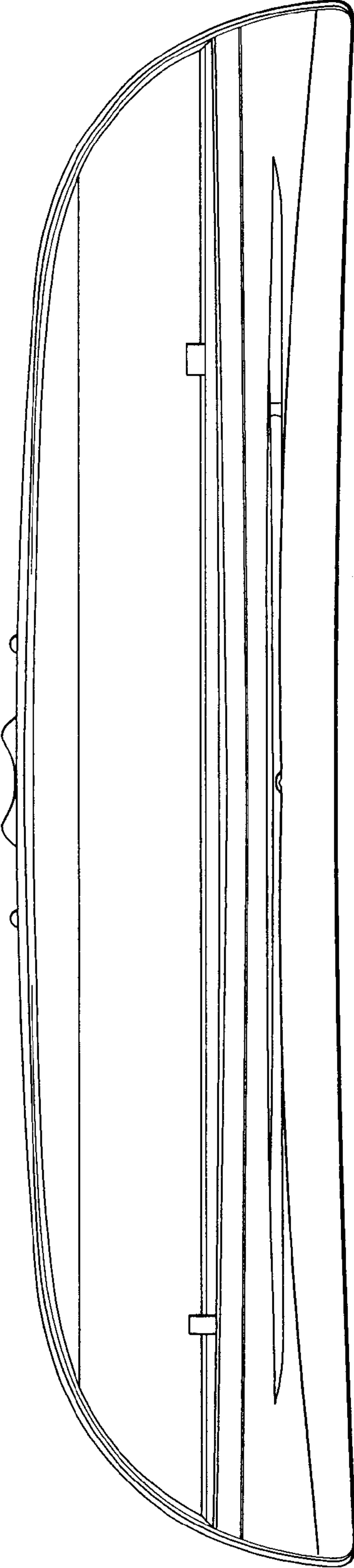


Fig. 6

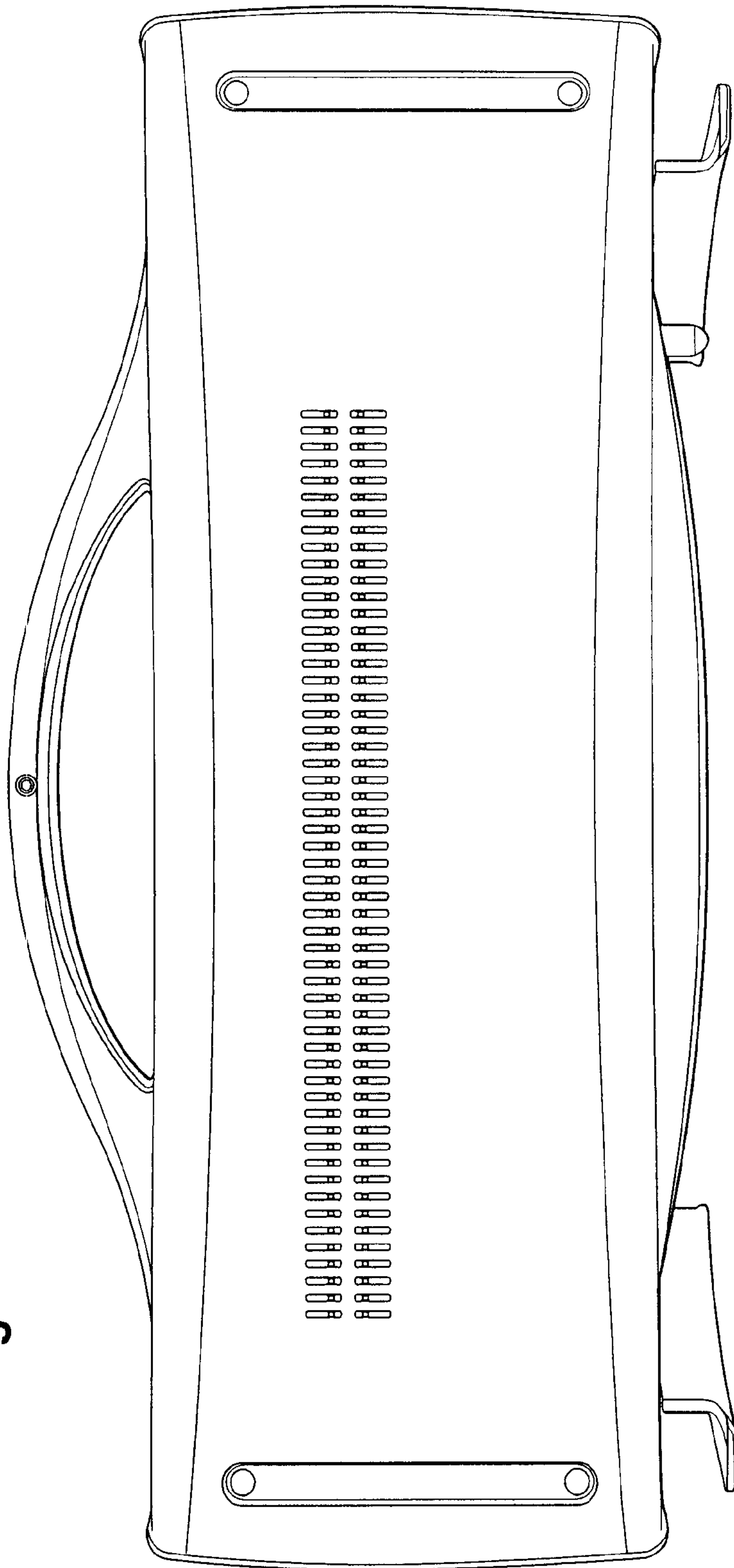


Fig. 7

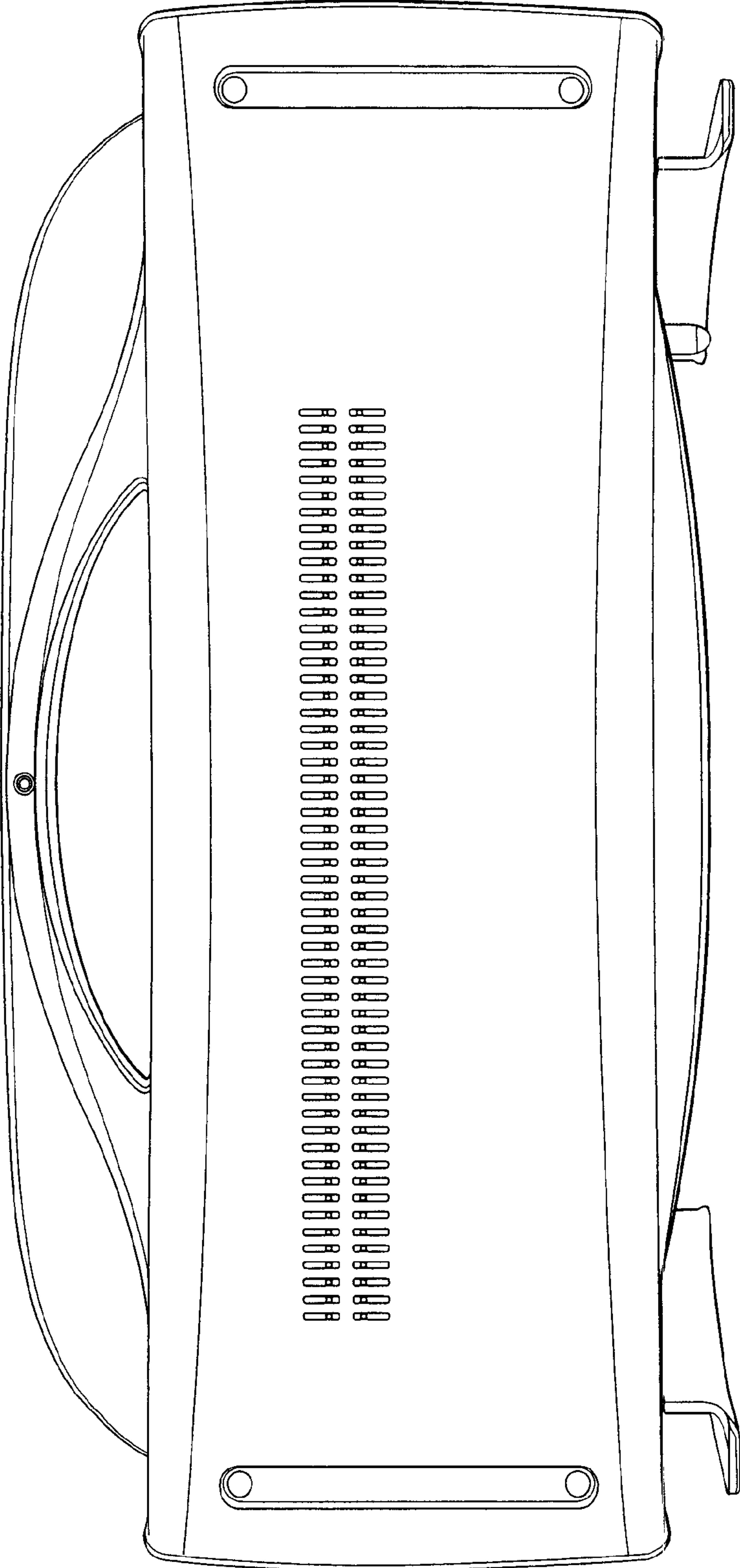


Fig. 8

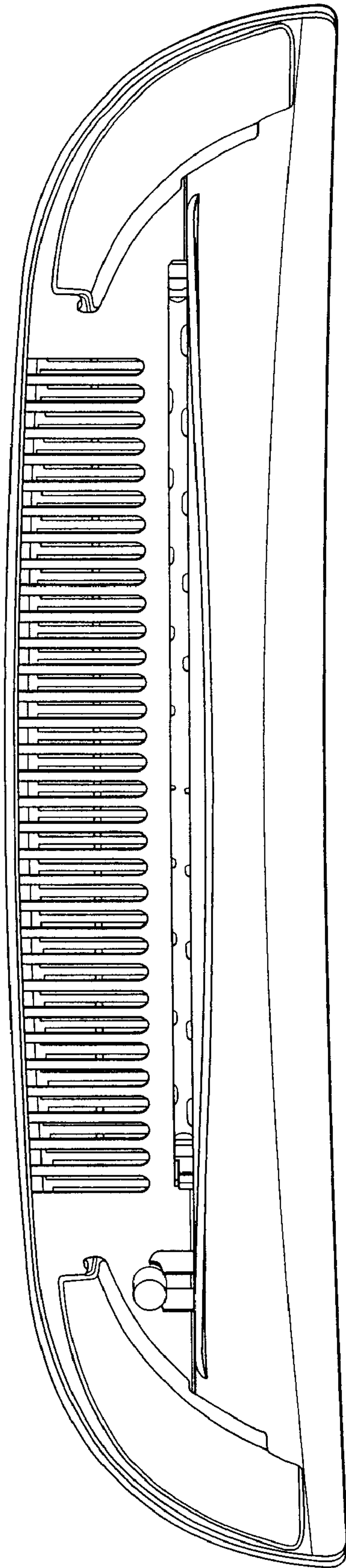


Fig. 10

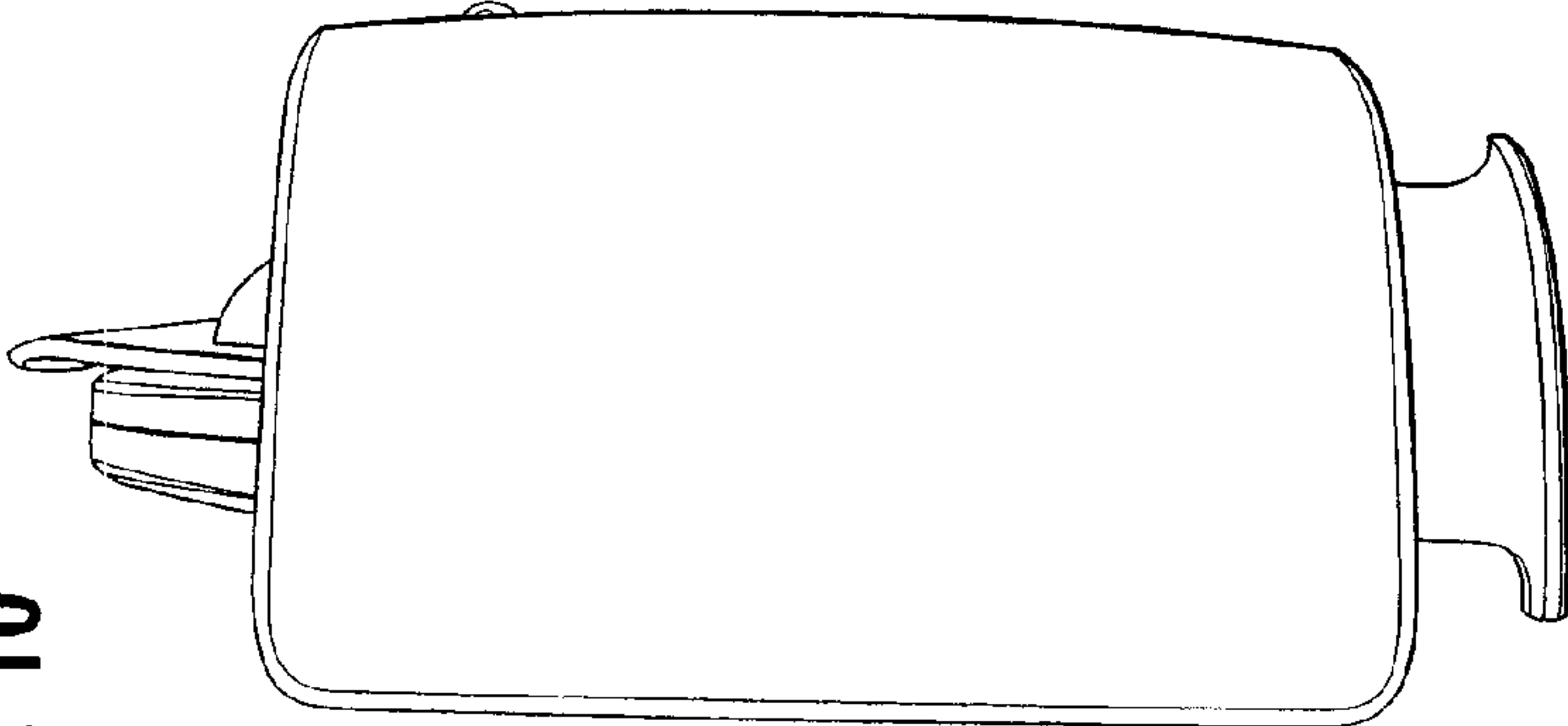


Fig. 9

