



US00D534191S

(12) **United States Design Patent** (10) **Patent No.:** **US D534,191 S**
Viol (45) **Date of Patent:** **** Dec. 26, 2006**

(54) **CUTTING INSERT FOR CHIP REMOVAL**

(75) Inventor: **Kent Viol**, Arboga (SE)

(73) Assignee: **Seco Tools AB**, Fagersta (SE)

(**) Term: **14 Years**

(21) Appl. No.: **29/219,485**

(22) Filed: **Dec. 20, 2004**

(30) **Foreign Application Priority Data**

Jun. 24, 2004 (SE) 04-0484

(51) **LOC (8) Cl.** **15-09**

(52) **U.S. Cl.** **D15/139**

(58) **Field of Classification Search** D15/138,
D15/139; 407/113-117

See application file for complete search history.

(56) **References Cited**

U.S. PATENT DOCUMENTS

5,207,538 A * 5/1993 Satran 407/113
D342,269 S * 12/1993 Arai et al. D15/139
D381,026 S * 7/1997 Hessman et al. D15/139
D401,253 S * 11/1998 Inayama et al. D15/139

D485,852 S * 1/2004 Arvidsson D15/139
2005/0214080 A1 * 9/2005 Satran 407/113

* cited by examiner

Primary Examiner—Antoine D. Davis

Assistant Examiner—Patricia Palasik

(74) *Attorney, Agent, or Firm*—White, Redway & Brown LLP

(57) **CLAIM**

The ornamental design for a cutting insert for chip removal, as shown and described.

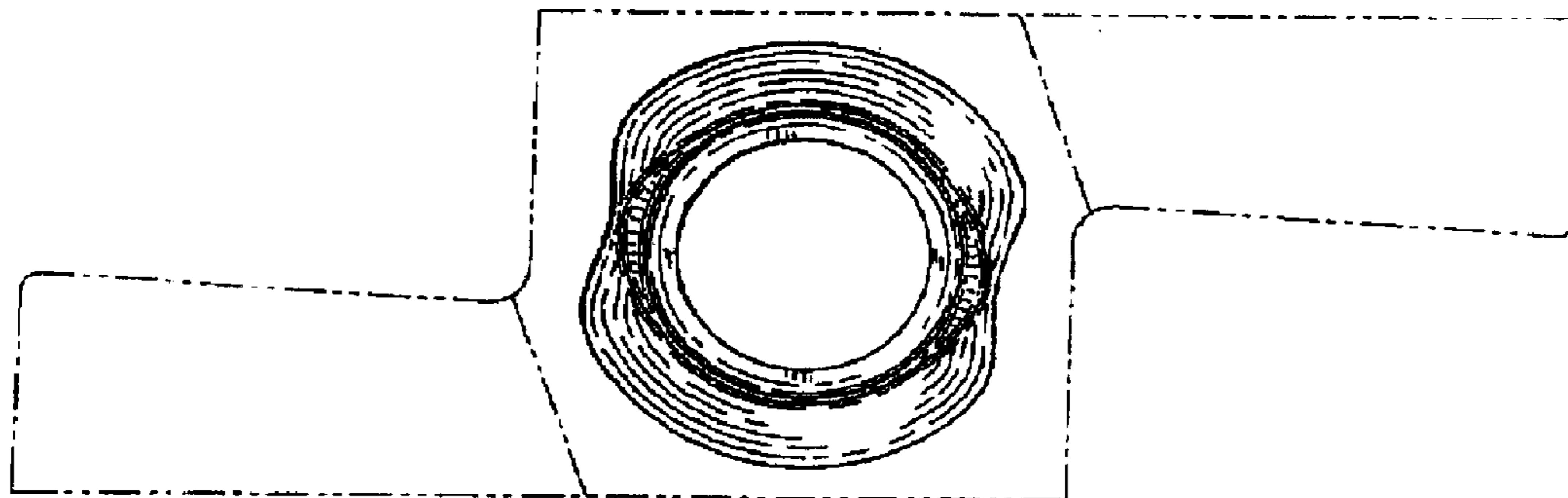
DESCRIPTION

FIG. 1 is a top view of the cutting insert for chip removal; FIG. 2 is a side view of the cutting insert for chip removal; FIG. 3 is a bottom view of the cutting insert for chip removal;

FIG. 4 is a perspective view of the cutting insert for chip removal; and,

FIG. 5 is an end view of the cutting insert for chip removal. The broken lines show the environment with which the design is associated, are for illustrative purposes only, and form no part of the claimed design or a specified embodiment thereof.

1 Claim, 2 Drawing Sheets



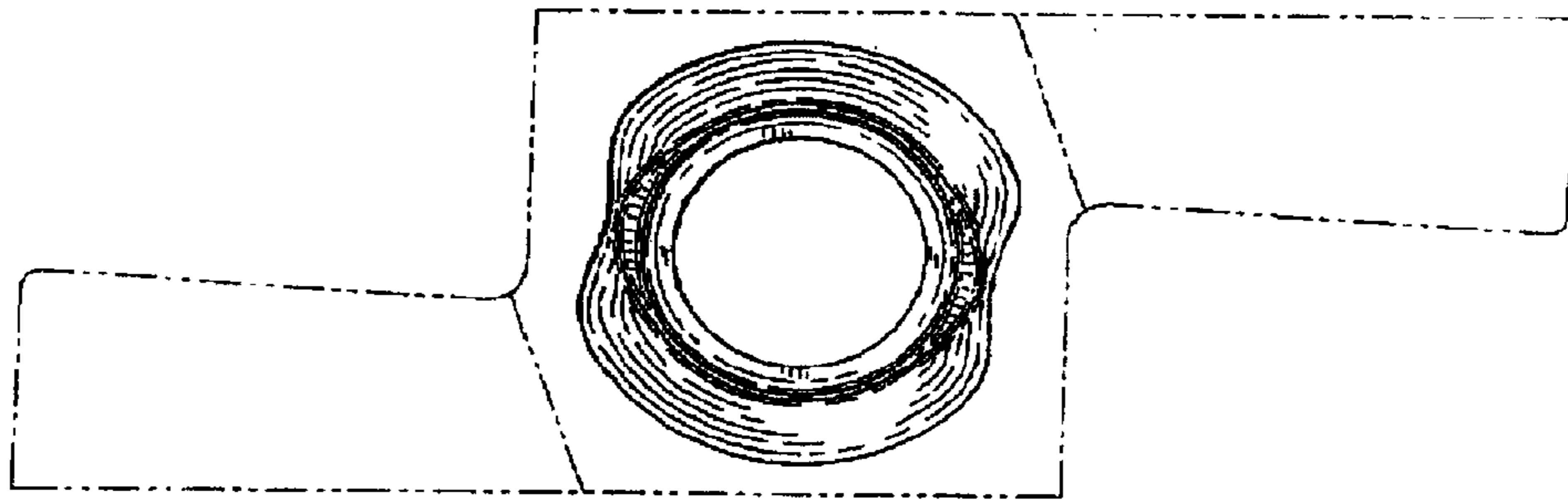


FIG. 1



FIG. 2

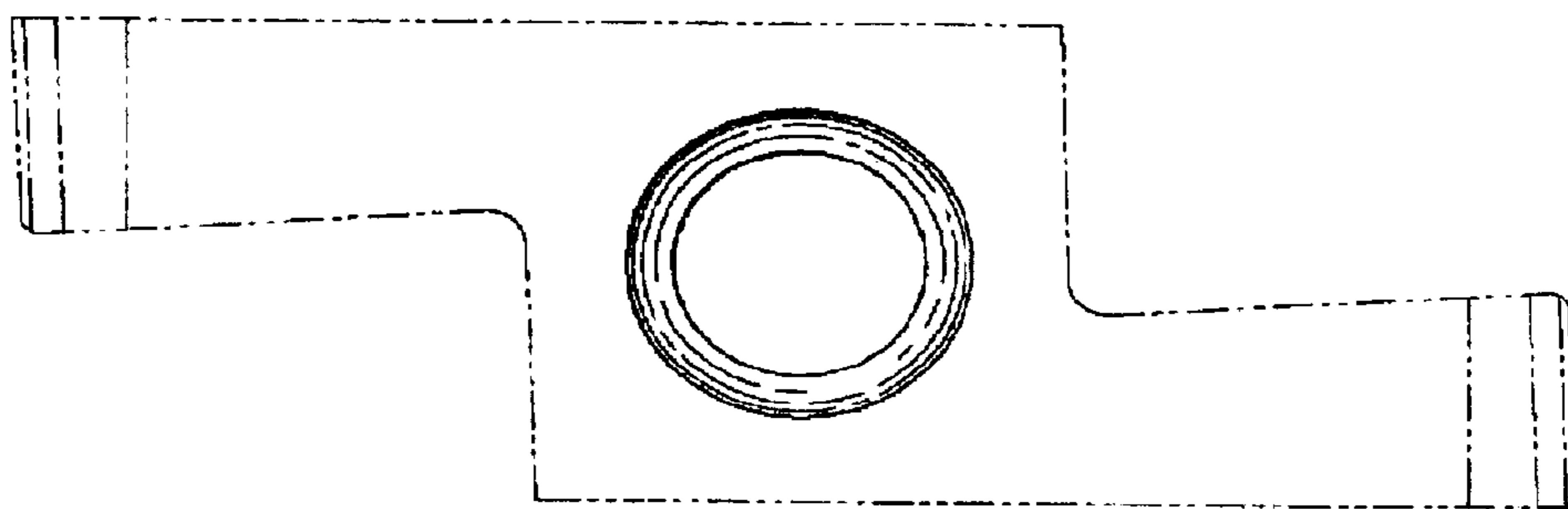


FIG. 3

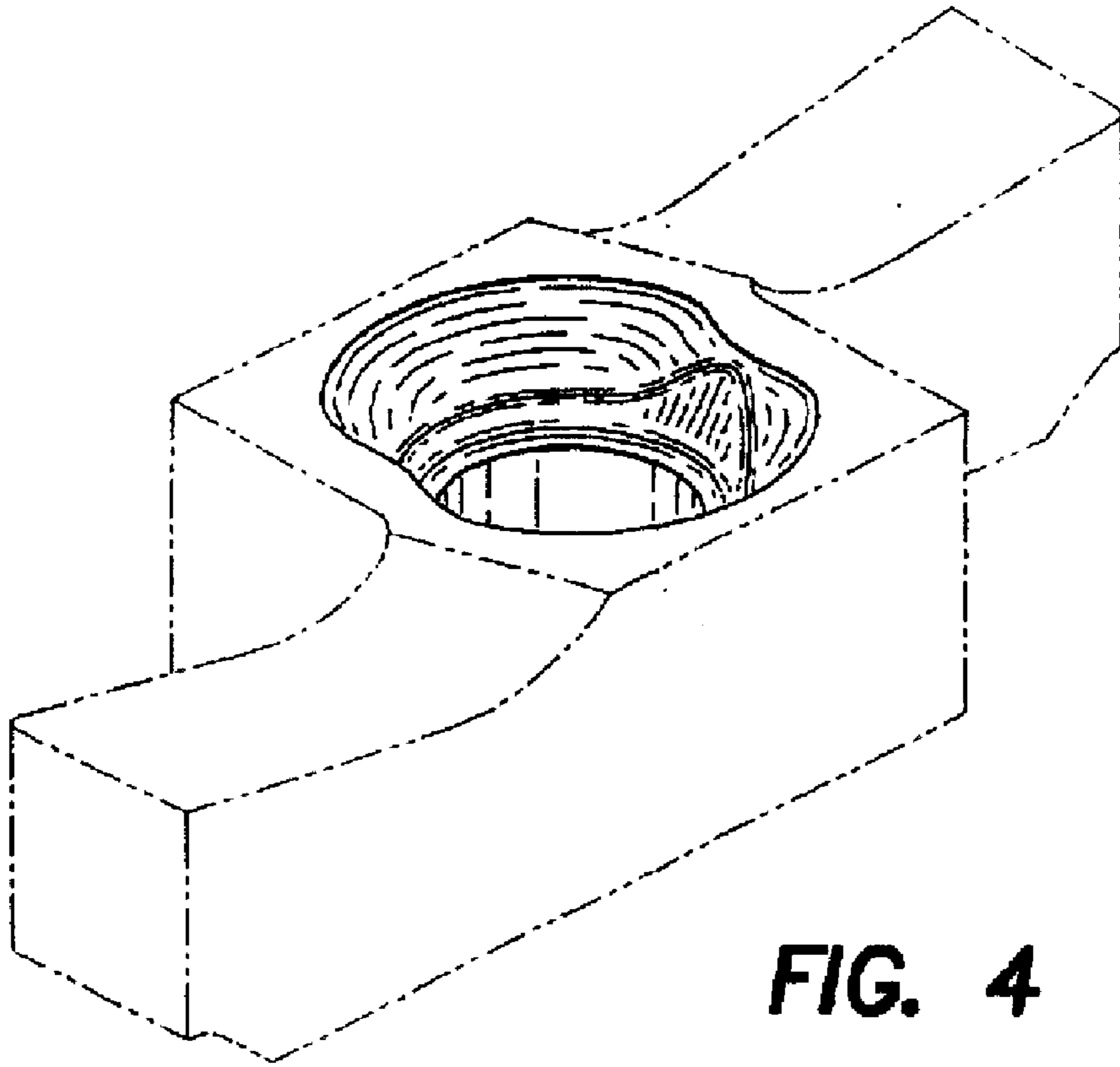


FIG. 4

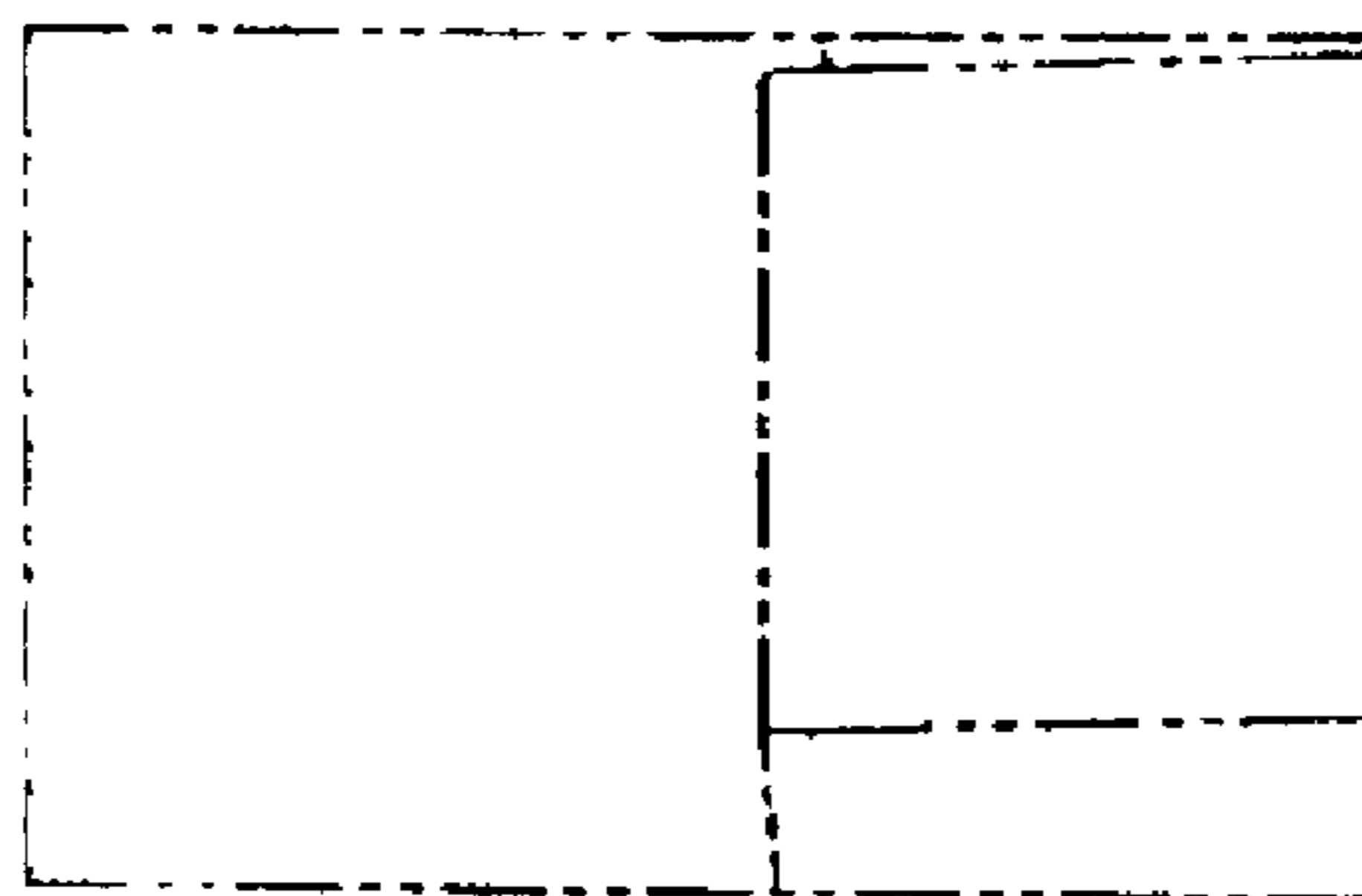


FIG. 5