



US00D534188S

(12) **United States Design Patent**  
**Shuttleworth et al.**

(10) **Patent No.:** **US D534,188 S**

(45) **Date of Patent:** **\*\* Dec. 26, 2006**

(54) **AGRICULTURE VEHICLE ROOF**

(75) Inventors: **Adam Joe Shuttleworth**, Denver, IA (US); **Gregory Scott McCunn**, Orion, IL (US); **Steven Roger Volkman**, Geneseo, IL (US); **William Edward Crookes**, Ann Arbor, MI (US); **Roger Earl Hamilton**, Coal Valley, IL (US)

(73) Assignee: **Deere & Company**, Moline, IL (US)

(\*\*) Term: **14 Years**

(21) Appl. No.: **29/245,232**

(22) Filed: **Dec. 19, 2005**

(51) **LOC (8) Cl.** ..... **15-03**

(52) **U.S. Cl.** ..... **D15/33**

(58) **Field of Classification Search** ..... D15/10,  
D15/22-26, 28, 30, 31, 33; D12/401; 296/225,  
296/131, 132, 107.03, 190.01, 190.03, 190.08,  
296/193.12

See application file for complete search history.

(56) **References Cited**

**U.S. PATENT DOCUMENTS**

D212,416 S	*	10/1968	Purcell	.....	D15/28
3,712,664 A	*	1/1973	May	.....	296/102
D245,698 S	*	9/1977	Skyer et al.	.....	D15/30
D249,523 S	*	9/1978	Segales	.....	D15/30
D258,823 S	*	4/1981	Skyer et al.	.....	D15/30
D259,045 S	*	4/1981	Mende	.....	D15/30
D267,486 S	*	1/1983	Martin, Jr.	.....	D12/96
D273,494 S	*	4/1984	Hurlburt et al.	.....	D15/30
D275,199 S	*	8/1984	Schmidt et al.	.....	D15/30
D304,589 S	*	11/1989	Lanphere et al.	.....	D15/30

D312,467 S	*	11/1990	Long et al.	.....	D15/30
D312,827 S	*	12/1990	Boddin et al.	.....	D15/30
D317,011 S	*	5/1991	Boddin et al.	.....	D15/30
D329,435 S	*	9/1992	Katoh et al.	.....	D15/23
D348,678 S	*	7/1994	Budde	.....	D15/30
D355,423 S	*	2/1995	Woods et al.	.....	D15/23
D366,267 S	*	1/1996	Lepoix	.....	D15/30
D384,358 S	*	9/1997	Smith	.....	D15/30
D424,580 S	*	5/2000	Moehle et al.	.....	D15/23
6,189,955 B1	*	2/2001	Fryk et al.	.....	296/190.08
6,554,351 B1	*	4/2003	El-Zein	.....	296/190.08
6,578,907 B1	*	6/2003	Teich	.....	296/190.08
D497,872 S	*	11/2004	Bonner et al.	.....	D12/401

\* cited by examiner

*Primary Examiner*—Stella Reid

*Assistant Examiner*—Mark Goodwin

(57) **CLAIM**

The ornamental design for an agriculture vehicle roof, as shown and described.

**DESCRIPTION**

FIG. 1 is a front left elevational perspective view of an agriculture vehicle roof showing our new design.

FIG. 2 is a top view of the agriculture vehicle roof, design of FIG. 1.

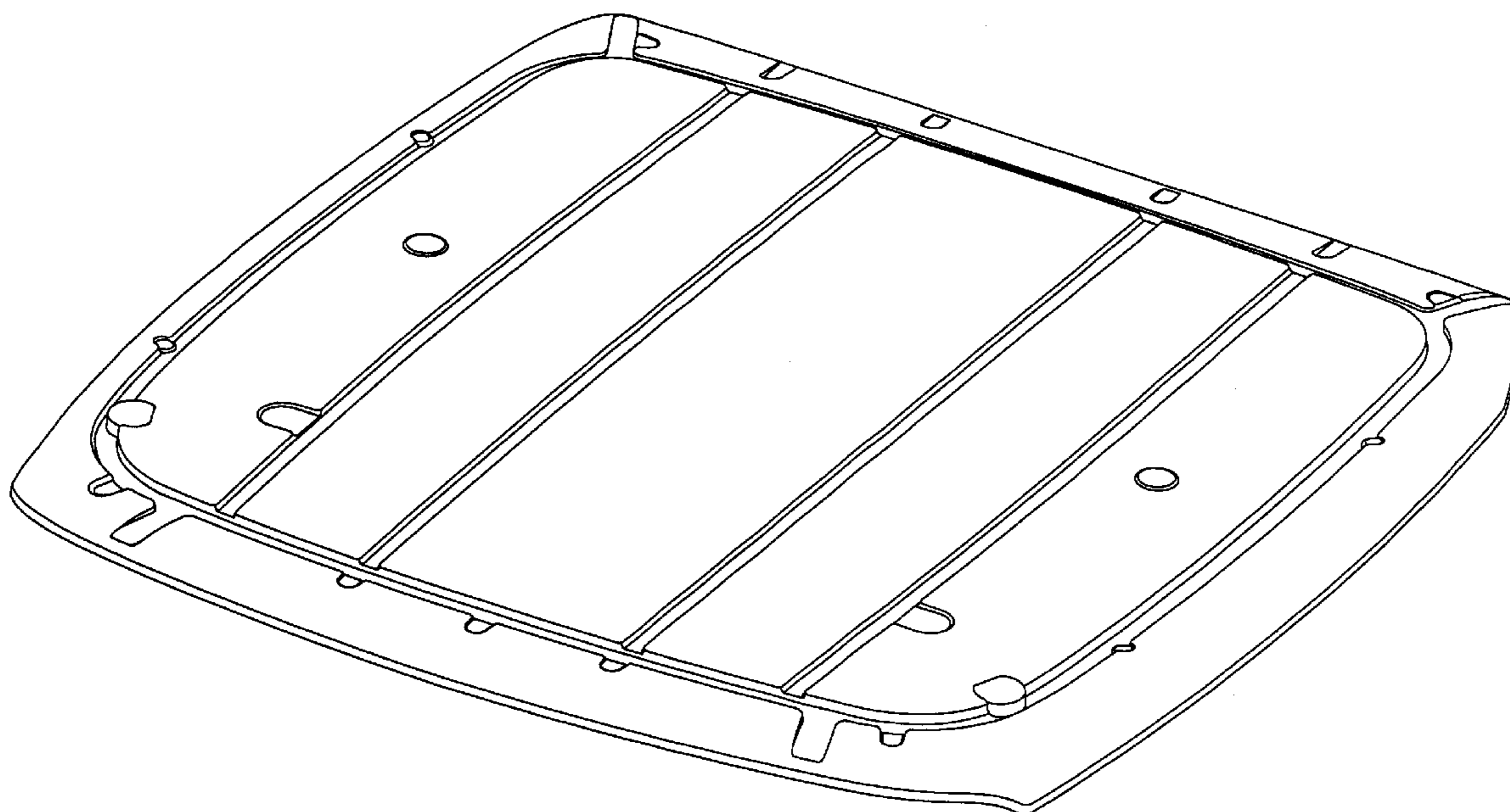
FIG. 3 is left side view of the agriculture vehicle roof, design of FIG. 1.

FIG. 4 is a right side view of the agriculture vehicle roof, design of FIG. 1.

FIG. 5 is a front side view of the agriculture vehicle roof, design of FIG. 1; and,

FIG. 6 is a rear side view of the agriculture vehicle roof, design of FIG. 1.

**1 Claim, 3 Drawing Sheets**



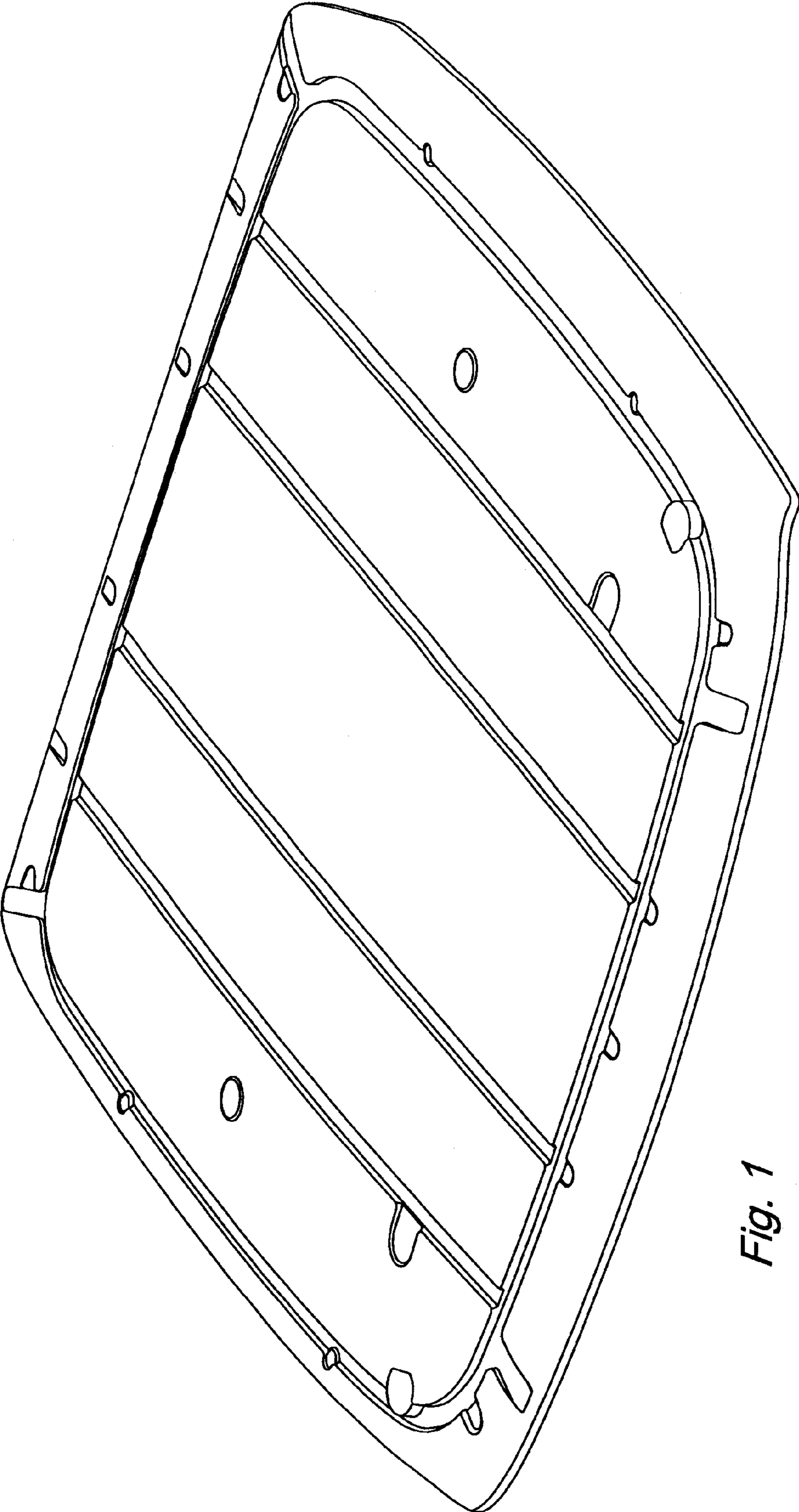
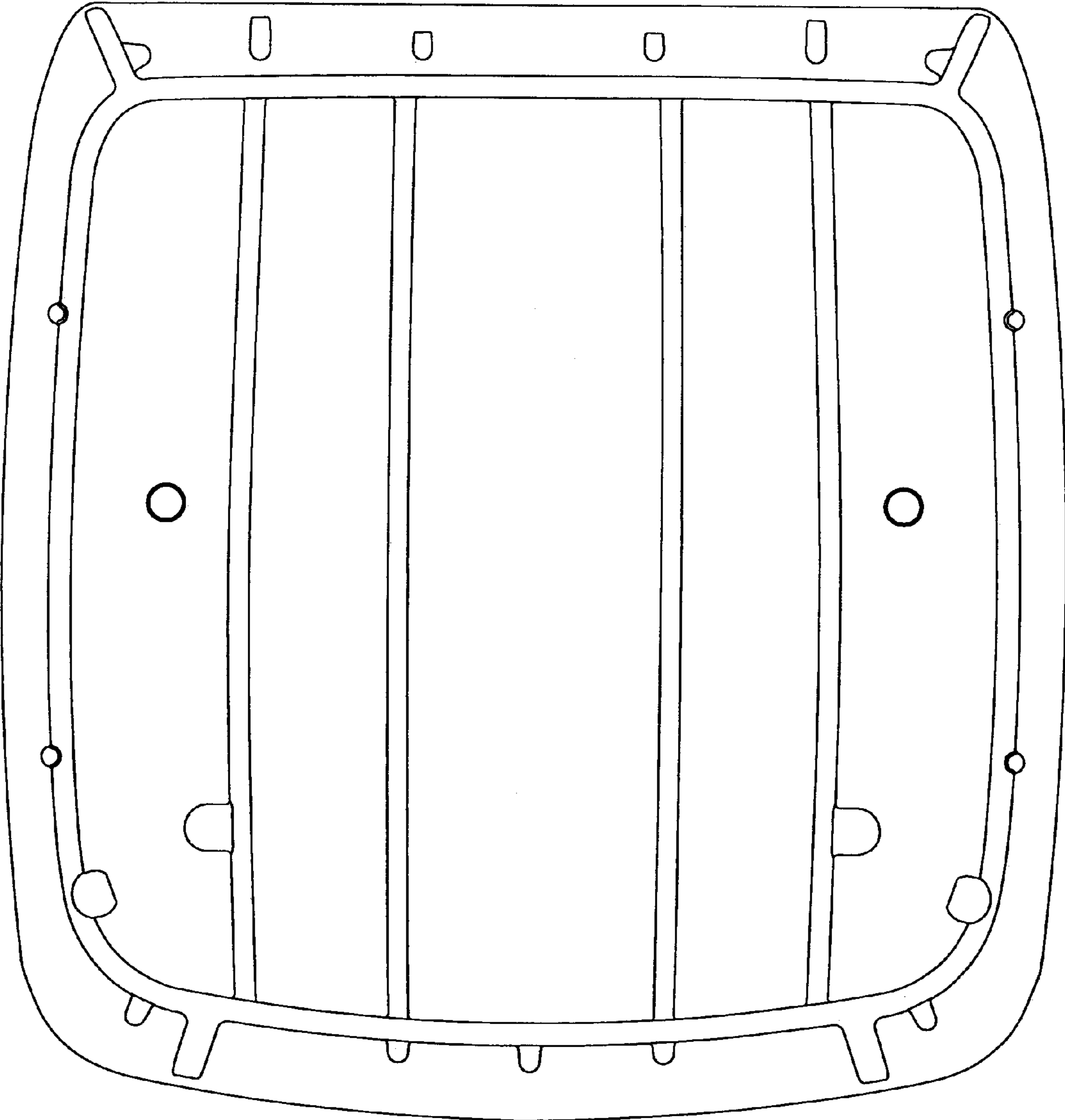
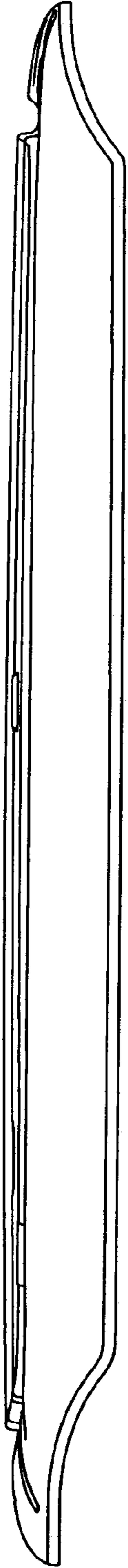


Fig. 1

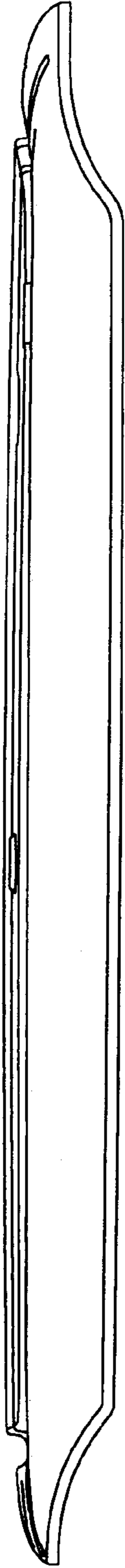
Fig. 2



*Fig. 3*



*Fig. 4*



*Fig. 5*



*Fig. 6*

