



US00D534187S

(12) **United States Design Patent**
Sato

(10) **Patent No.:** **US D534,187 S**

(45) **Date of Patent:** **** Dec. 26, 2006**

(54) **REFRIGERANT OR COOLING AGENT
COMPRESSORS**

D317,313 S * 6/1991 Yoshida et al. D15/9
D512,441 S * 12/2005 Iwata D15/7

(75) Inventor: **Kazuya Sato**, Osaka-fu (JP)

* cited by examiner

(73) Assignee: **Sanyo Electric Co., Ltd.**, Osaka-fu (JP)

Primary Examiner—Ralf Seifert
(74) *Attorney, Agent, or Firm*—Weingarten, Schurgin,
Gagnebin & Lebovici LLP

(**) Term: **14 Years**

(57) **CLAIM**

(21) Appl. No.: **29/245,220**

The ornamental design for refrigerant or cooling agent
compressors, as shown.

(22) Filed: **Dec. 20, 2005**

(51) **LOC (8) Cl.** **15-02**

(52) **U.S. Cl.** **D15/9**

(58) **Field of Classification Search** D15/7-9;
D23/232, 231; 417/359, 415-416, 410.1,
417/321, 265, 405

See application file for complete search history.

DESCRIPTION

FIG. 1 is a front view of refrigerant or cooling agent
compressors;
FIG. 2 is a rear view thereof;
FIG. 3 is a top view thereof;
FIG. 4 is a bottom view thereof,
FIG. 5 is a right-side view thereof;
FIG. 6 is a left-side view thereof; and,
FIG. 7 is a is a perspective view thereof.

(56) **References Cited**

U.S. PATENT DOCUMENTS

D274,433 S * 6/1984 Boller D15/7
D282,546 S * 2/1986 Ozu et al. D15/9

1 Claim, 7 Drawing Sheets

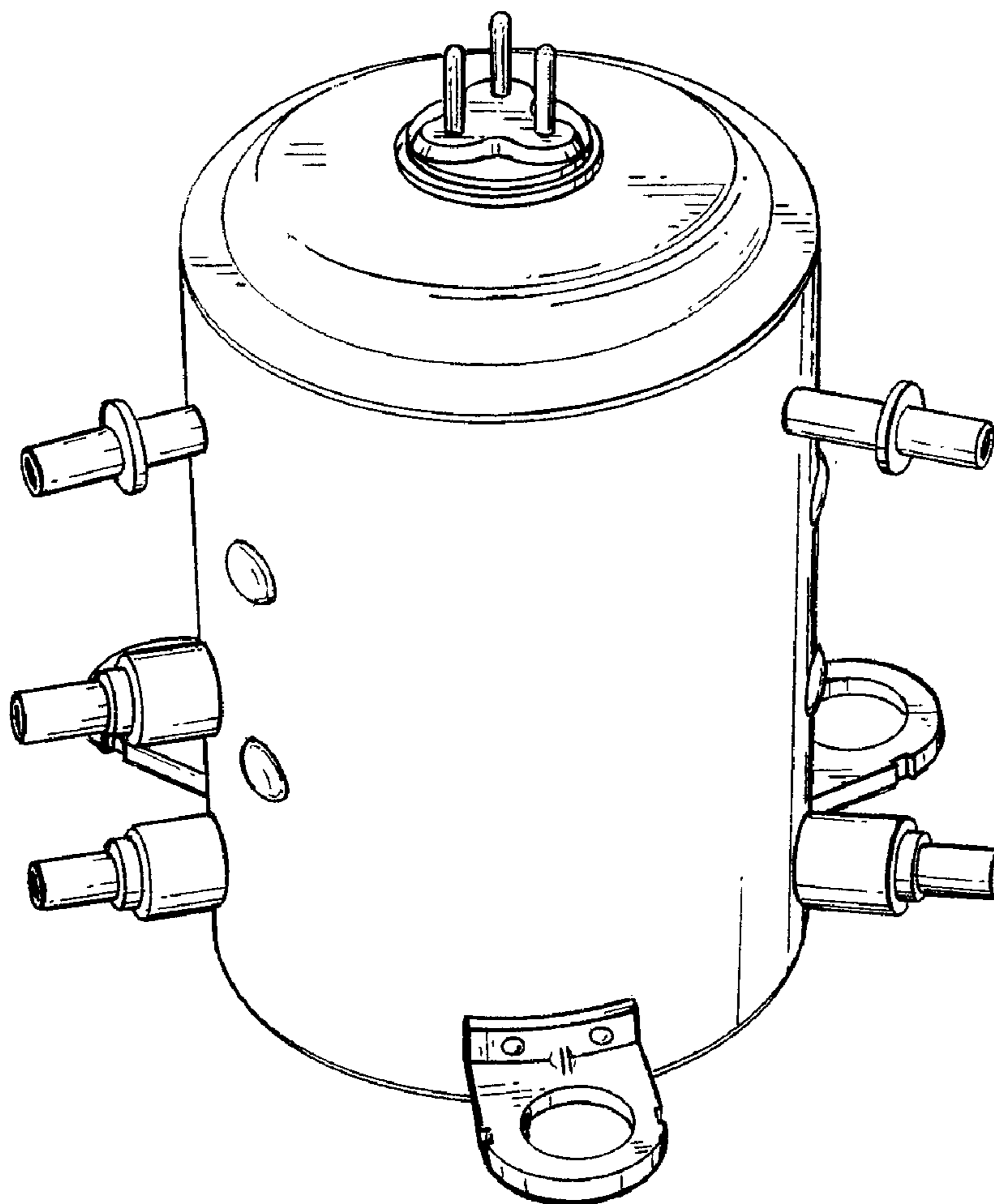


Fig. 1

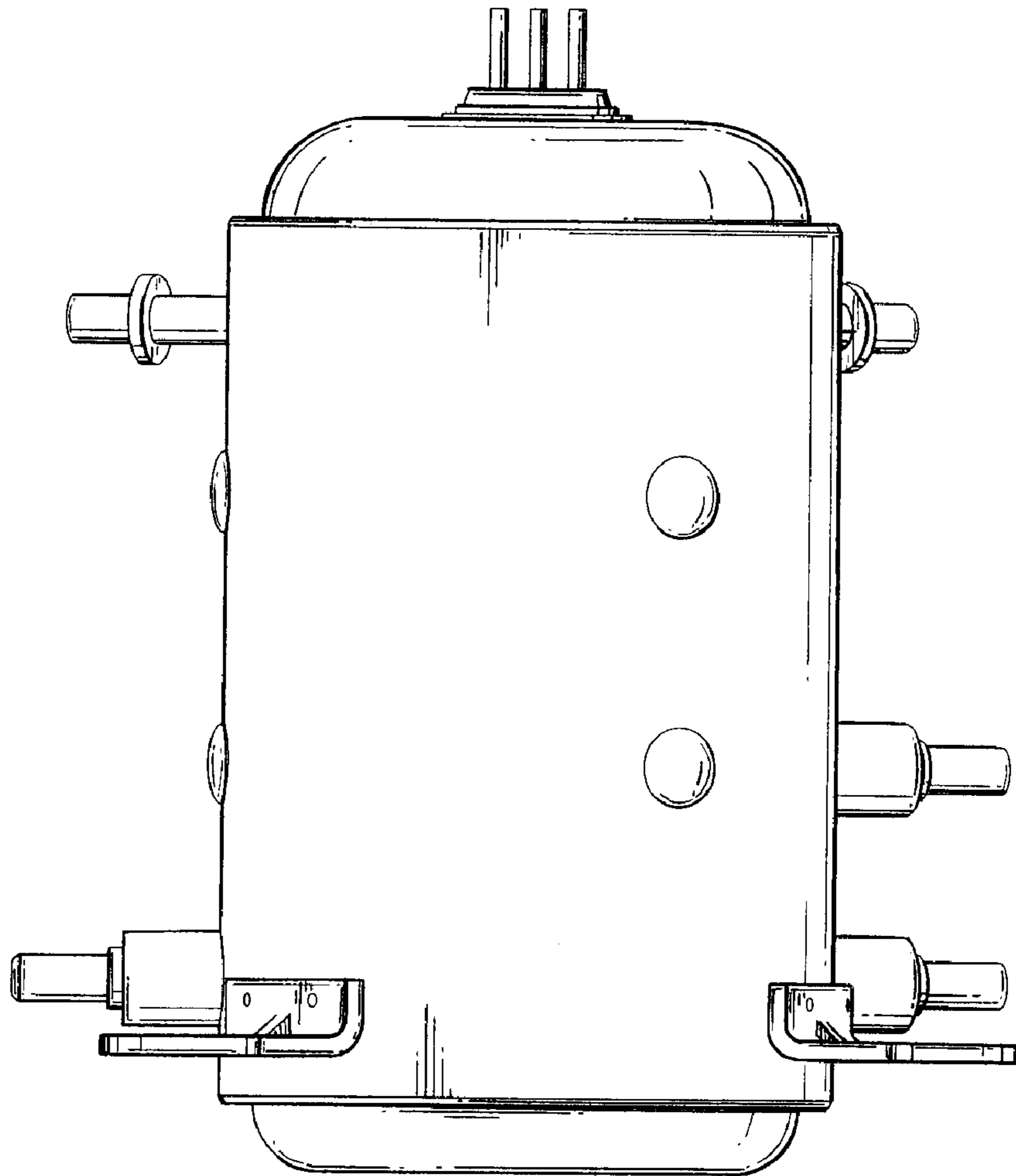


Fig.2

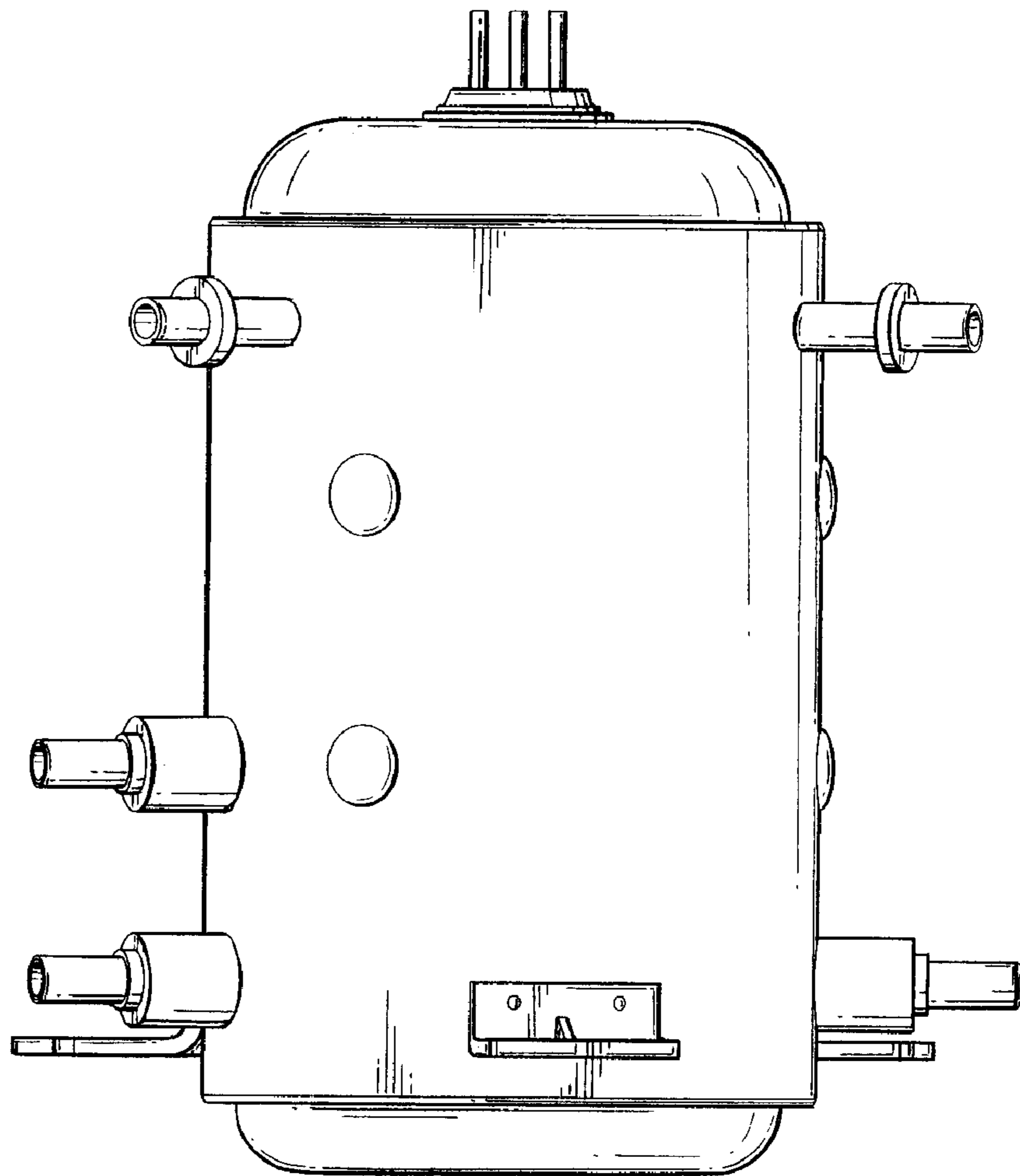


Fig.3

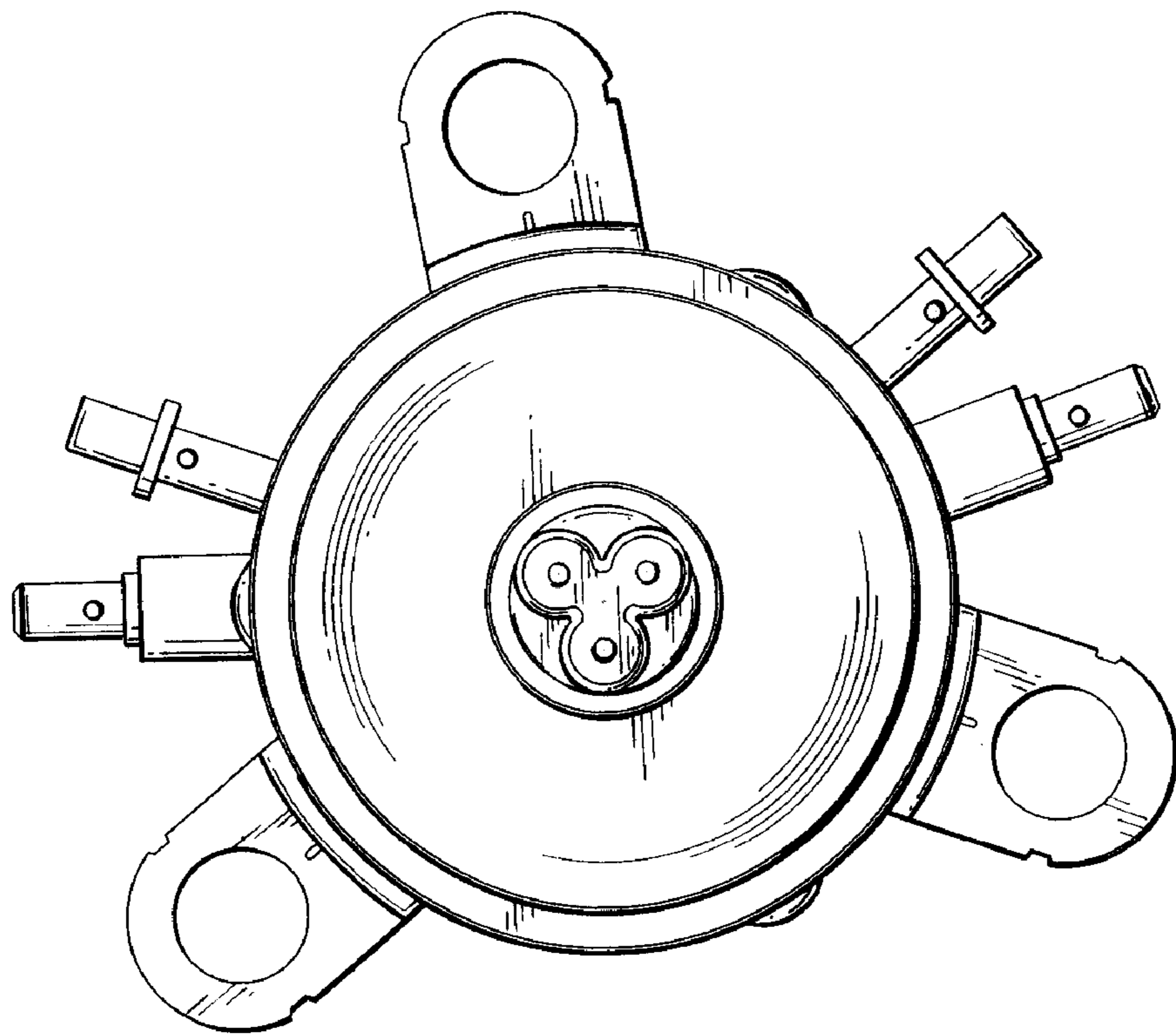


Fig.4

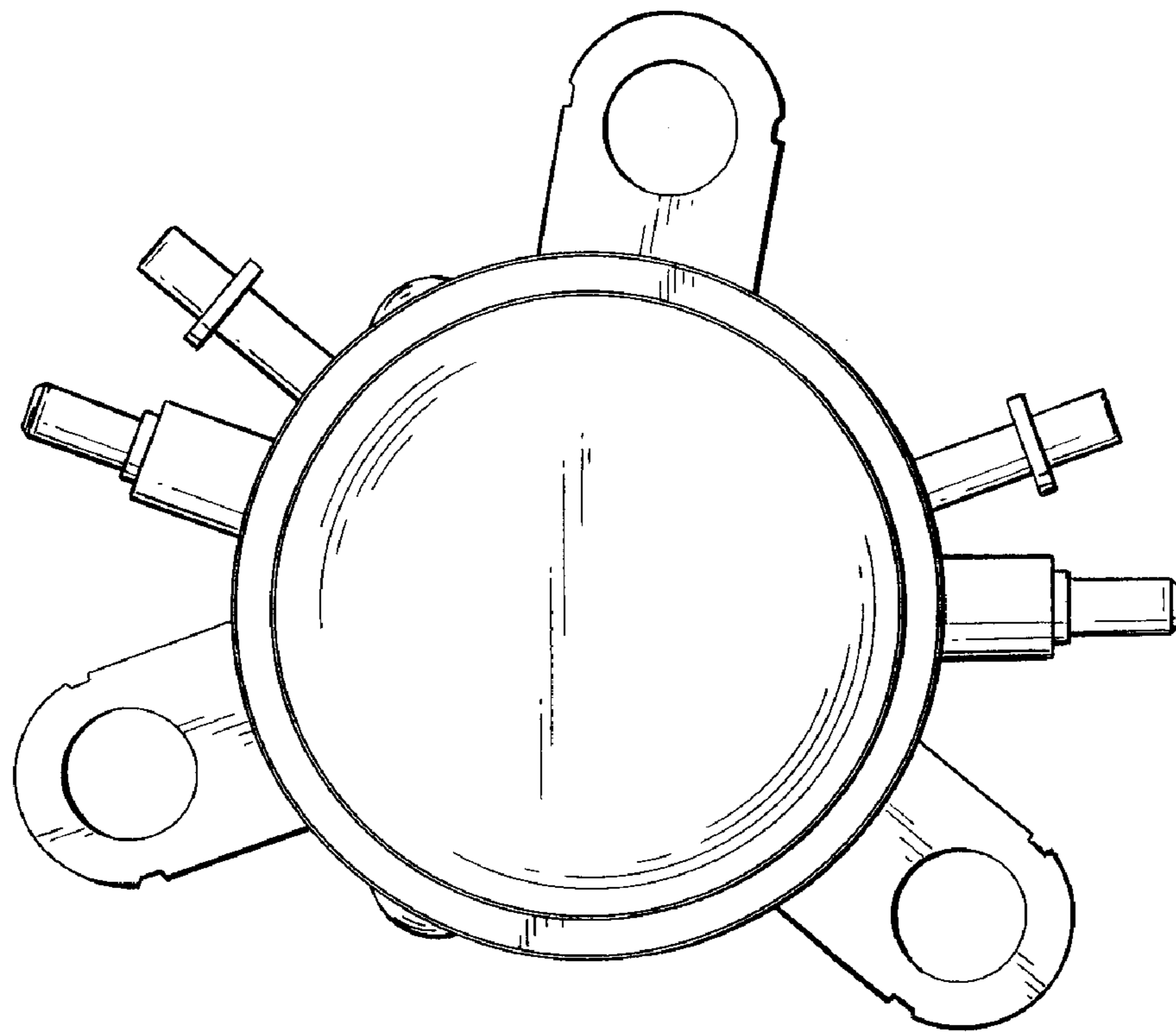


Fig.5

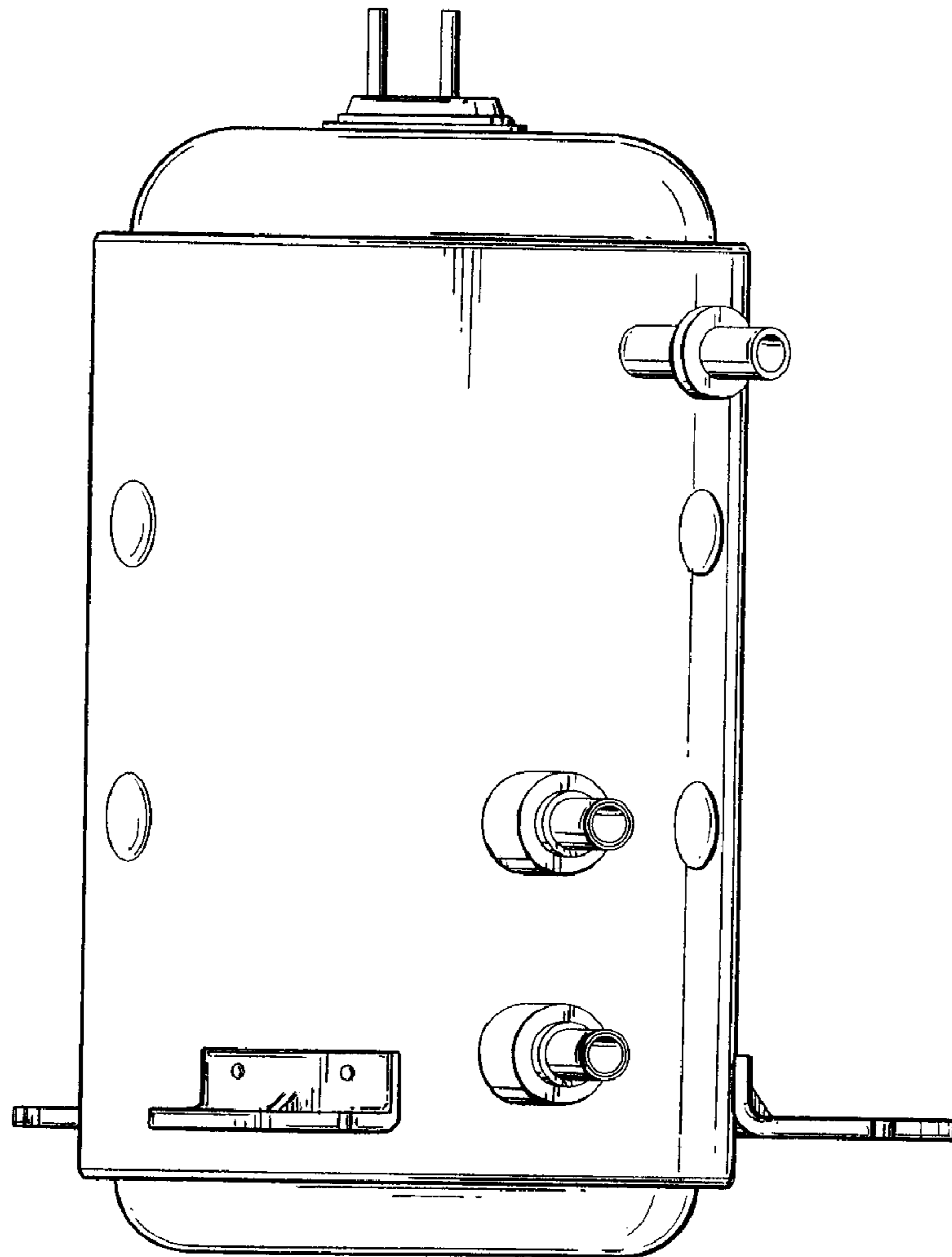


Fig.6

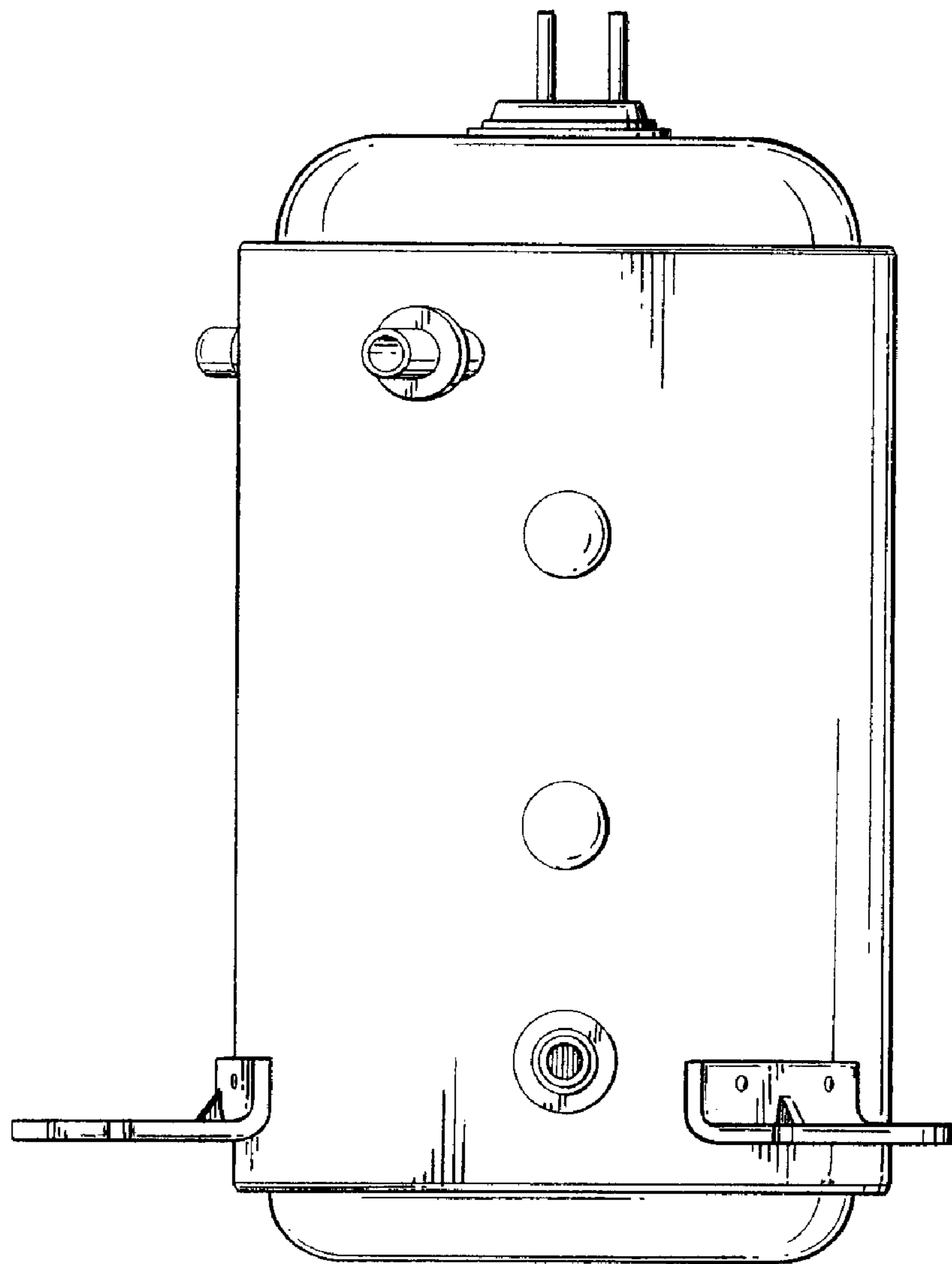


Fig.7

