



US00D534185S

(12) **United States Design Patent**
Chan

(10) **Patent No.:** **US D534,185 S**

(45) **Date of Patent:** **** Dec. 26, 2006**

(54) **INTERCOOLER**

(76) **Inventor:** **Sun Chan**, 5 Koala Avenue, Ingleburn,
New South Wales 2565 (AU)

(**) **Term:** **14 Years**

(21) **Appl. No.:** **29/220,000**

(22) **Filed:** **Dec. 22, 2004**

(30) **Foreign Application Priority Data**

Jul. 23, 2004 (AU) 300143

(51) **LOC (8) Cl.** **15-01**

(52) **U.S. Cl.** **D15/5**

(58) **Field of Classification Search** D12/163,
D12/166; D15/5; 165/271, 41, 51-52
See application file for complete search history.

(56) **References Cited**

U.S. PATENT DOCUMENTS

D255,353 S	*	6/1980	Ullrich	D15/5
D263,232 S	*	3/1982	Dolwani	D15/5
D265,403 S	*	7/1982	Gewelber	D15/5
4,562,697 A	*	1/1986	Lawson	165/51

4,823,868 A	*	4/1989	Neebel	165/51
5,547,019 A	*	8/1996	Iacullo	165/51
6,311,676 B1	*	11/2001	Oberg et al.	165/51
6,634,420 B1	*	10/2003	Gokan et al.	165/51
6,832,643 B1	*	12/2004	Zobel et al.	165/51
6,973,959 B1	*	12/2005	Claverie et al.	165/51

* cited by examiner

Primary Examiner—Brian N Vinson

(74) *Attorney, Agent, or Firm*—Christie, Parker & Hale,
LLP

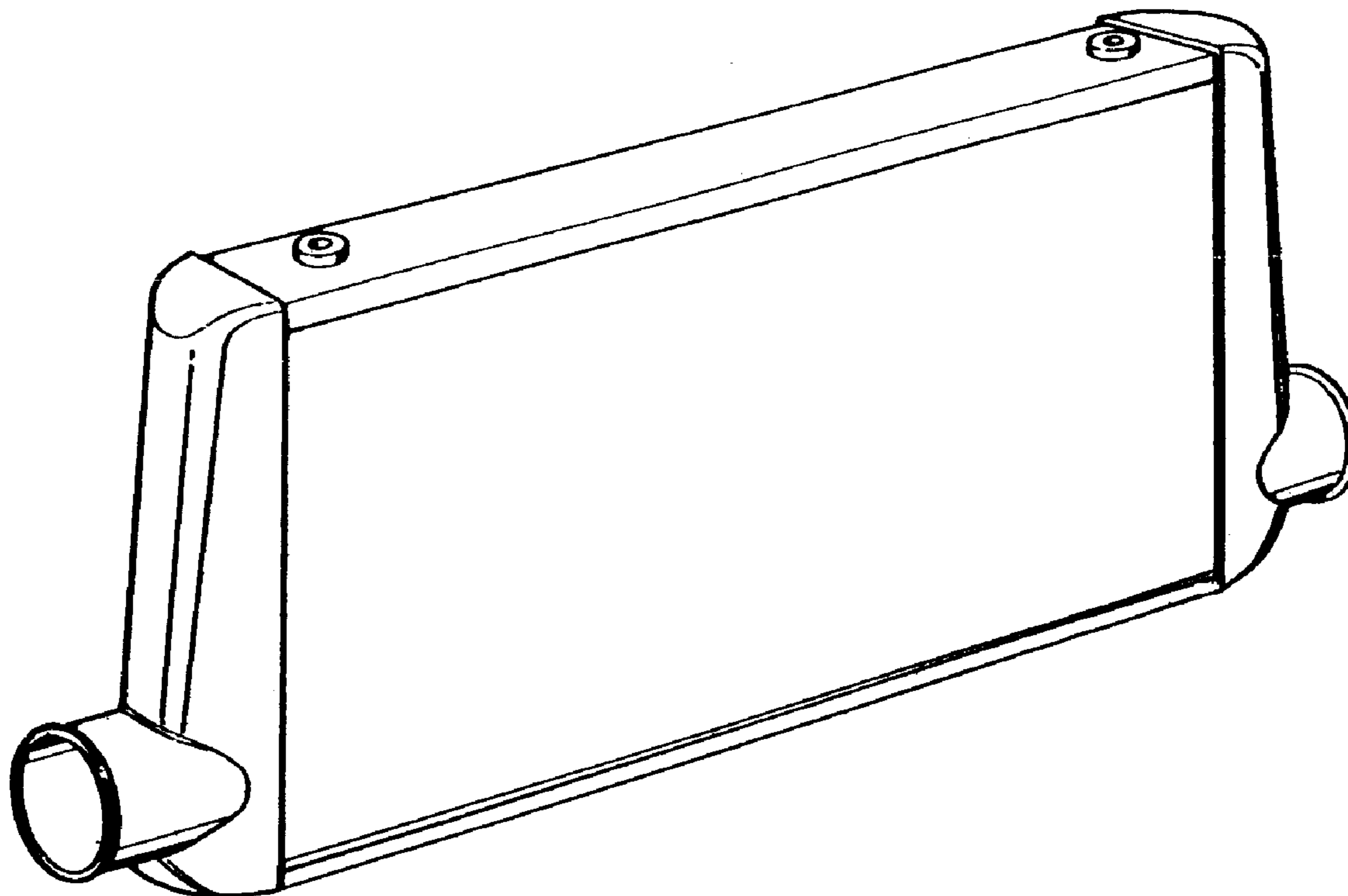
(57) **CLAIM**

The ornamental design for intercooler, as shown and described.

DESCRIPTION

FIG. 1 is a perspective view of an intercooler according to the present invention;
FIG. 2 is a front rear view thereof;
FIG. 3 is a plan view thereof;
FIG. 4 is a left, right side view thereof; and,
FIG. 5 is an inverted plan view thereof.

1 Claim, 2 Drawing Sheets



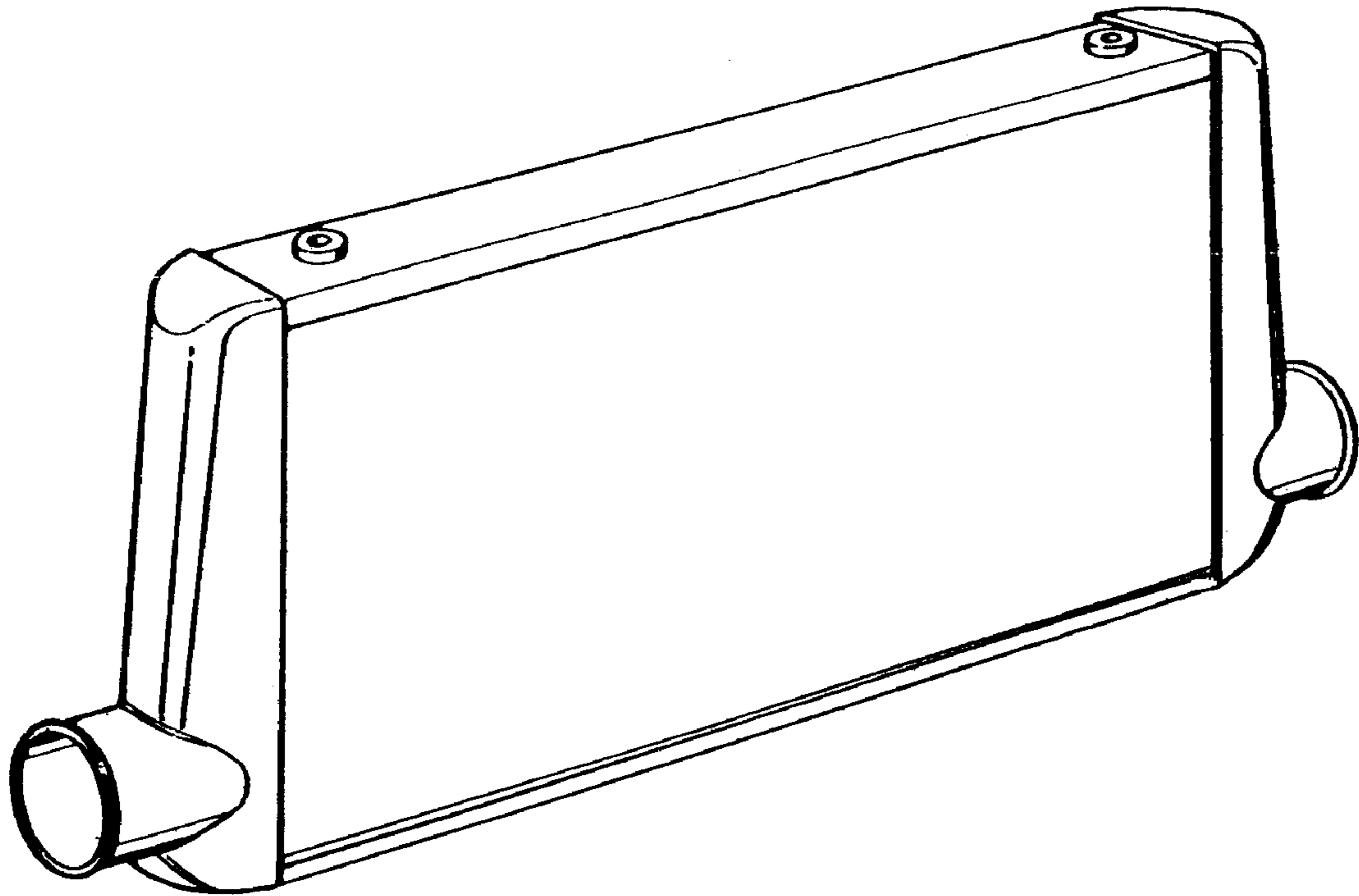


FIGURE 1

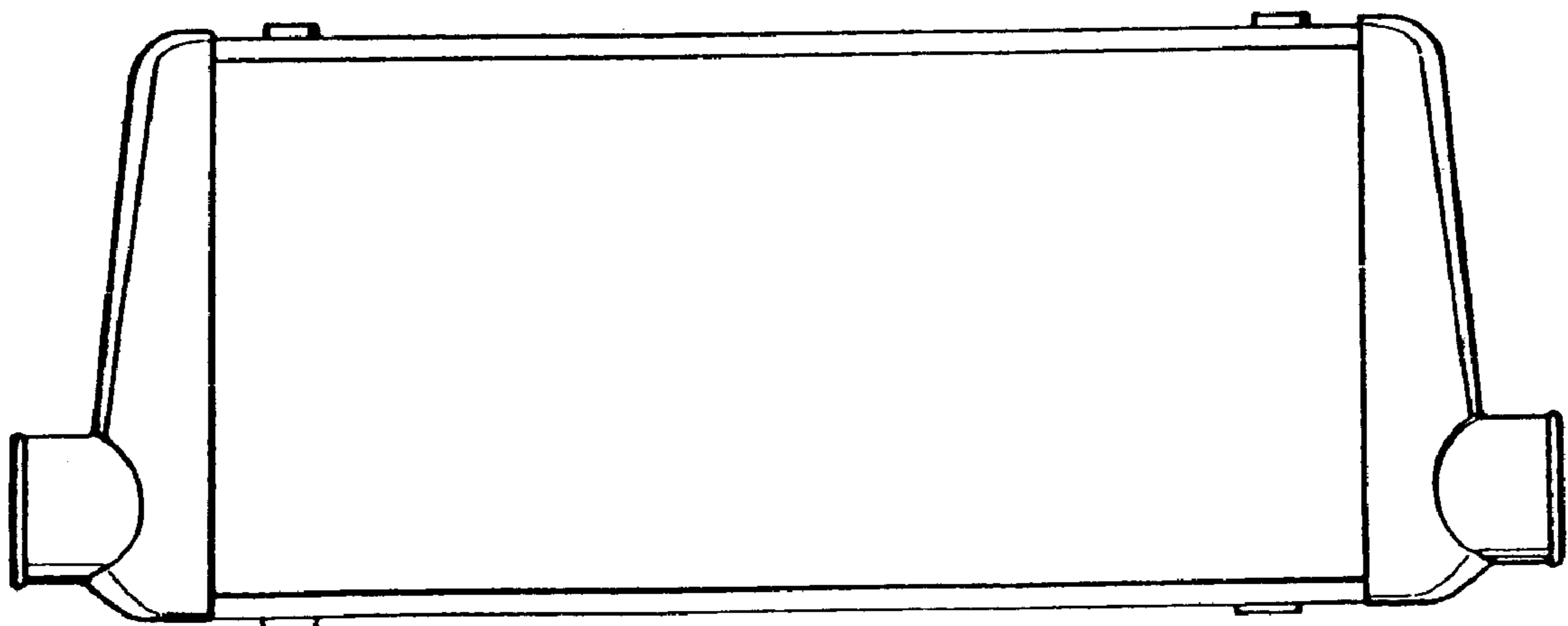


FIGURE 2



FIGURE 3



FIGURE 4



FIGURE 5